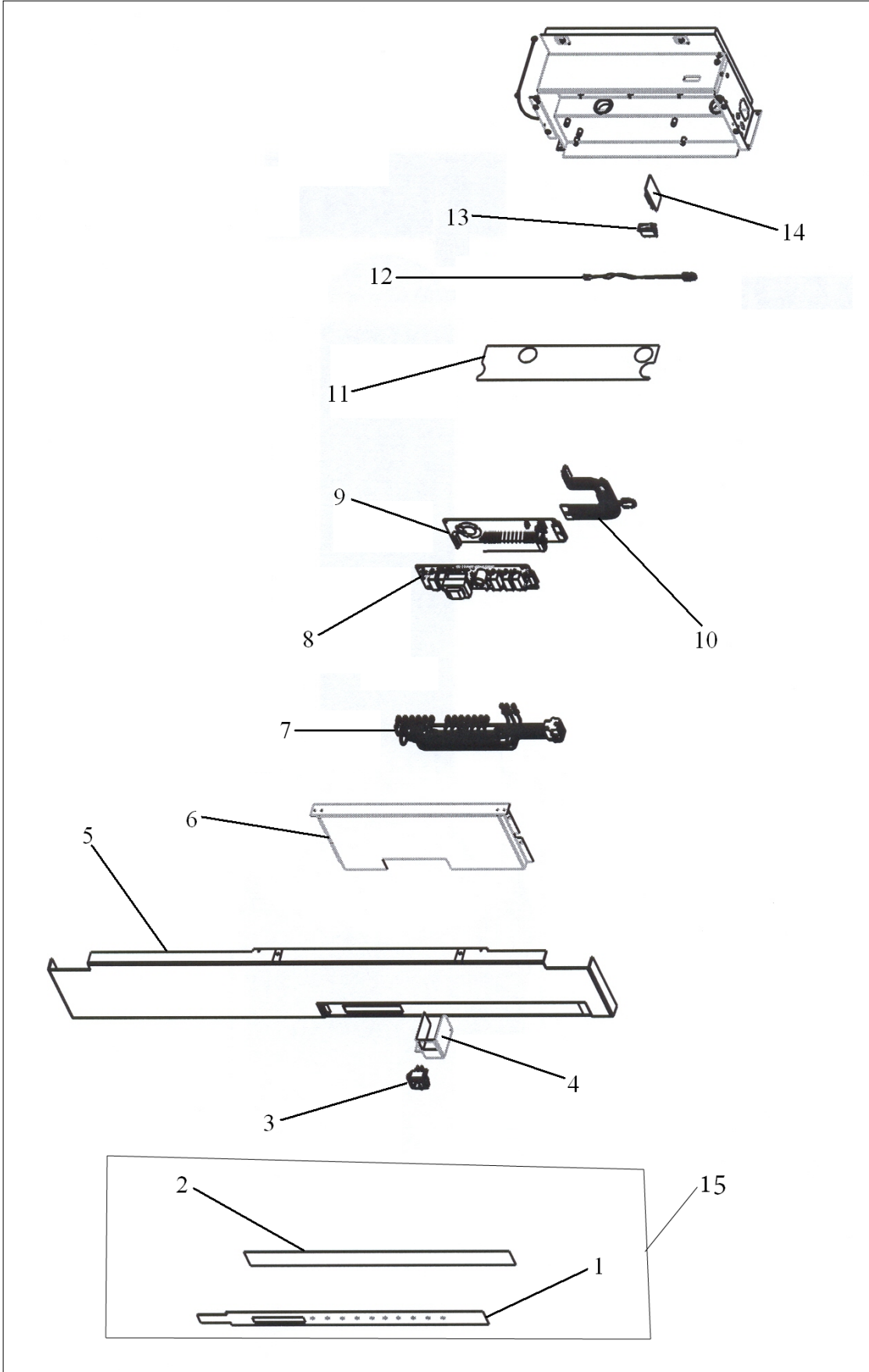


DDSB423DH SERIES

CONTROL ASSY	1
EVAP AREA ASSY	2
FRZ. COMP. ASSY	3
FRZ. DOOR FOAM ASSY	4
FRZ. DOOR SKIN ASSY	5
LIGHT AREA ASSY	6
LOWER UNIT ASSEMBLY	7
REF. COMP. ASSY	8
REF. DOOR FOAM ASSY	9
REF. DOOR SKIN ASSY	10
UPPER GRILLE ASSY	11
UPPER UNIT ASSY	12
Appendix A:Pages Index	A
Appendix B:Parts Index	B

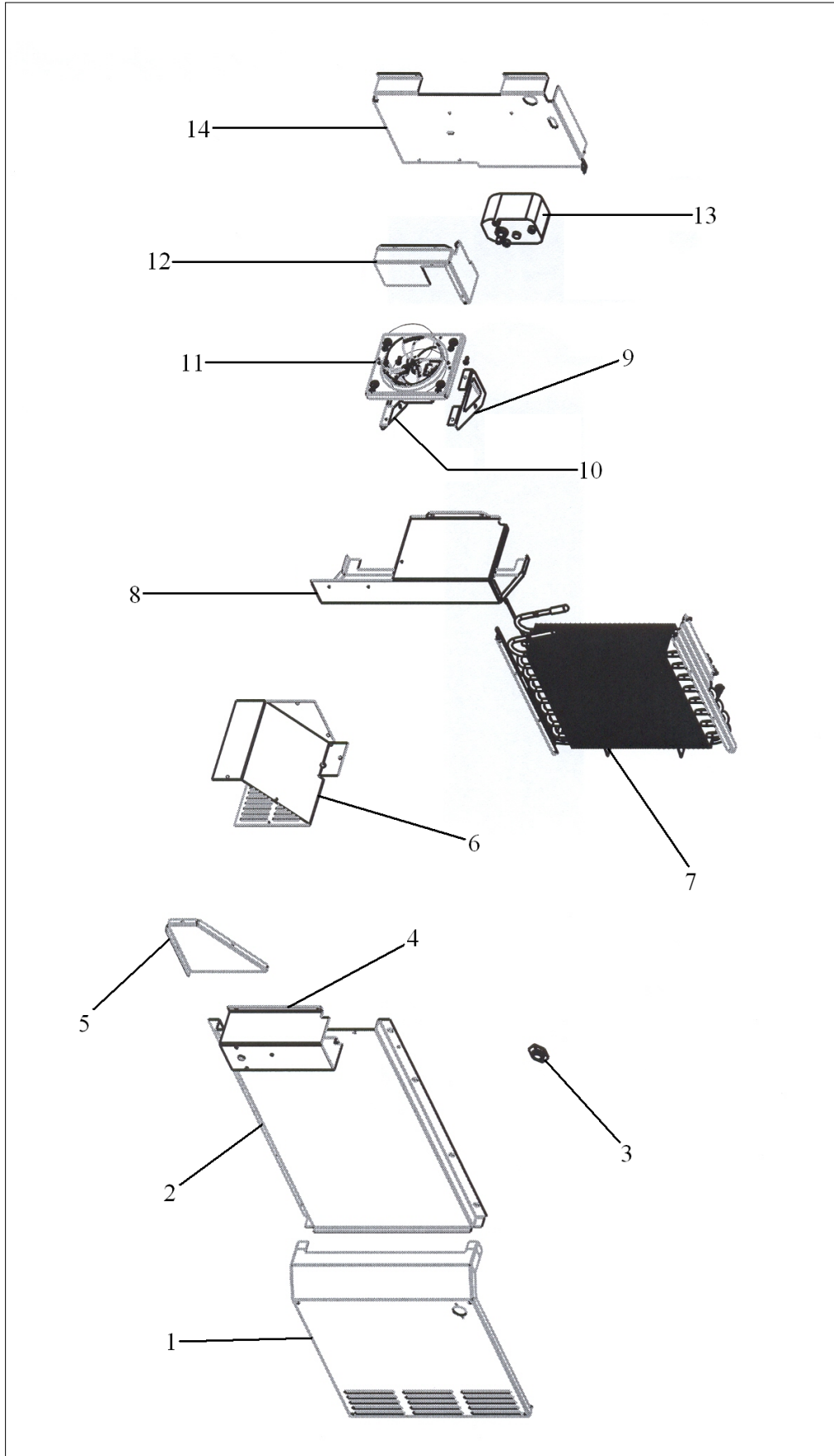
CONTROL ASSY





Item	Part No.	Name	Qty	Uom	NOTES
1	Order #15	Overlay, Keyboard		EA	
2	Order #15	Overlay, Keyboard		EA	
3	PE950149	SWITCH POWER		EA	
4	K2098654	Bracket, Power Switch		EA	
5	PK930230	Control Panel		EA	
6	K20910061	CONTROL BOX FRONT		EA	
7	PE970465	HARNESS HIGH VOLT		EA	
8	005319-000	POWER CONTROL BOARD ASM 5 SERIES		EA	
<p>Comments for Part Num. 005319-000</p> <p>boltz on Apr 12, 2018 See TR-0056-SP Bulletin</p>					
9	002670-000	LOW VOLTAGE BOARD KIT W/HARNESS		EA	
<p>Comments for Part Num. 002670-000</p> <p>boltz on Apr 12, 2018 See TR-0022-SP Bulletin</p>					
Not Shown	NOTE	(Before 5/16/06)		EA	
Not Shown	PE070728	BOARD LOW VOLTAGE		EA	
<p>Comments for Part Num. PE070728</p> <p>bradleysapplianceservice@shaw.ca on Apr 27, 2016 COULD ALSO USE: 002670-000 LOW VOLTAGE BOARD KIT ANALOG - INCLUDES WIRE HARNESS</p>					
Not Shown	NOTE	(After 5/16/06)		EA	
10	PE970464	HARNESS LOW VOLT 5 SERIES		EA	
11	PM910325	FILM, PROTECTIVE		EA	
12	PE970331	Harness, Adapter Board		EA	
13	PE950150	SPDT ROCKER SW. W/LEGEND		EA	
14	PE970330	Adapter Board		EA	
15	PE950159	SWITCH, KEYBOARD		EA	

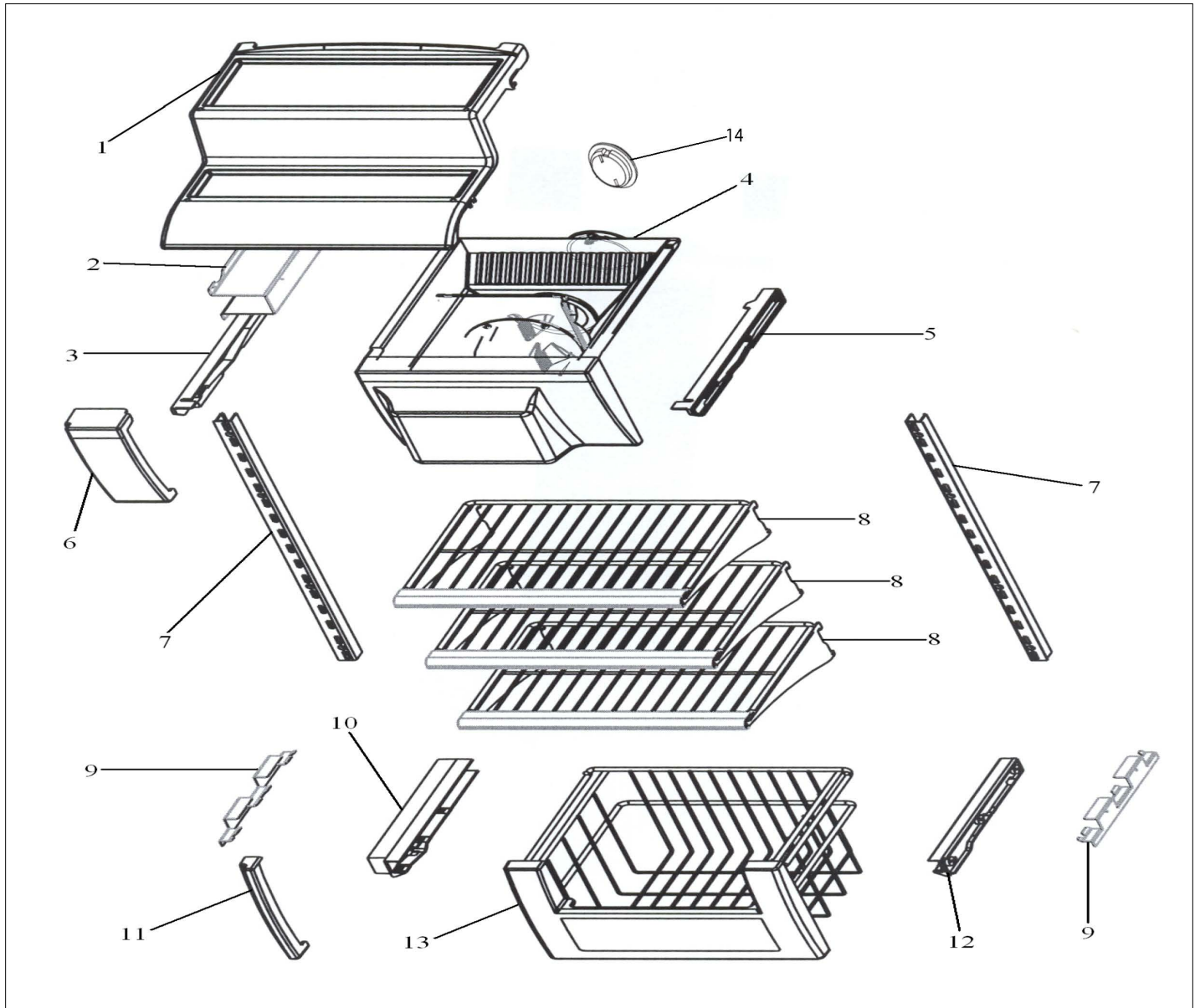
EVAP AREA ASSY





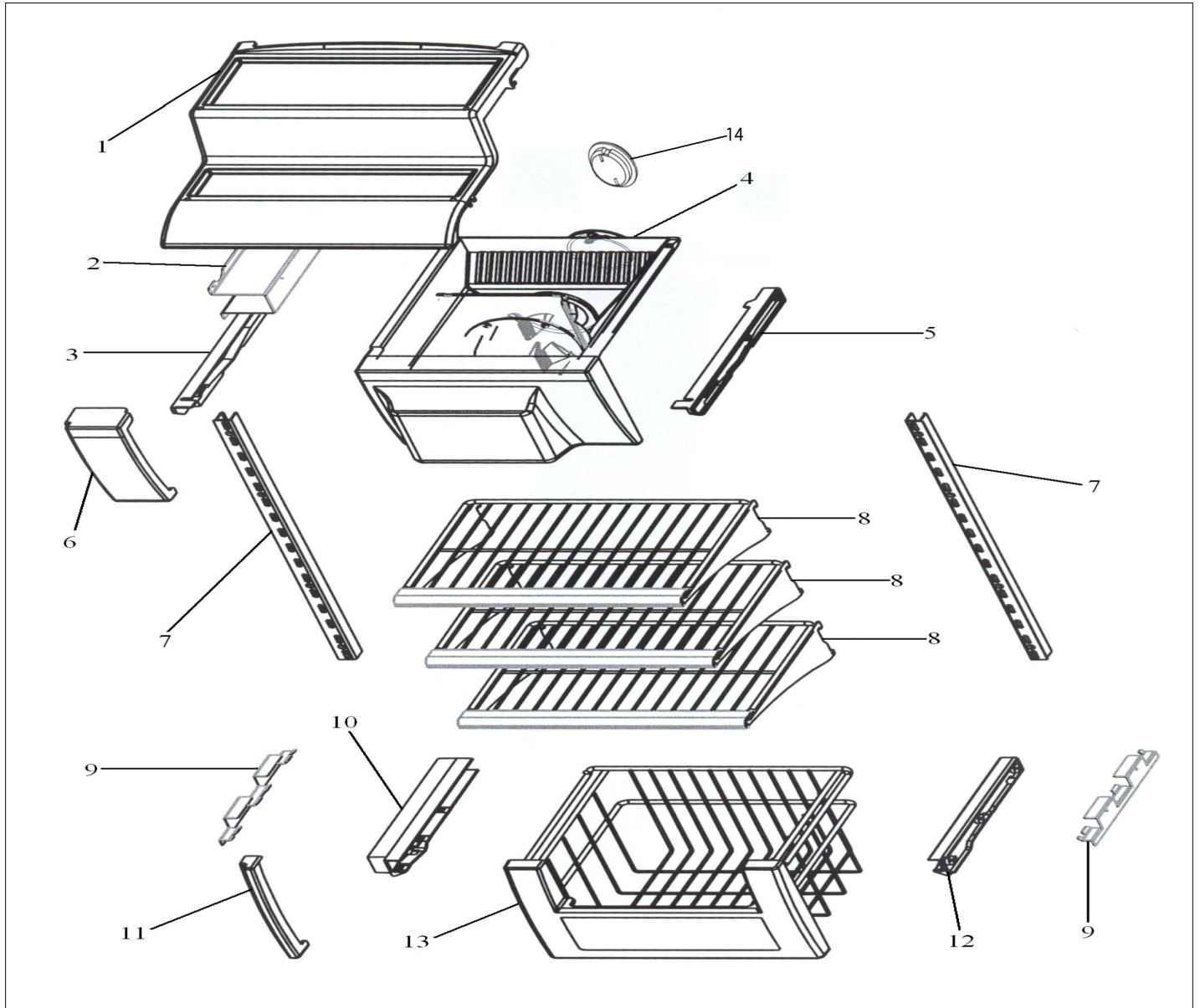
Item	Part No.	Name	Qty	Uom	NOTES
1	L20910054	COVER LOWER EVAP	1	EA	
2	L20910057	COVER CENTER EVAP	1	EA	
3	C8983701	THERMISTOR	1	EA	
4	C90910713WH	BRACKET AUGER MOTOR	1	EA	
5	L20910075	COVER EVAP FAN	1	EA	
6	L20910074	TRAN EVAP FAN	1	EA	
7	G50910020	EVAP ASM SXS	1	EA	
8	L20910056	COVER EVAP MOTOR	1	EA	
9	K2096457	BRKT-R-EVAP FAN 12223101	1	EA	
10	K2096458	BRKT-L-EVAP-FAN 12223102	1	EA	
11	G5098660	FAN EVAP ASM PANASONIC	1	EA	
12	L2098027	DUCT - EVAP FAN	1	EA	
13	PE950158	Motor Auger	1	EA	
14	C20910058	COVER UPPER EVAP	1	EA	

FRZ. COMP. ASSY





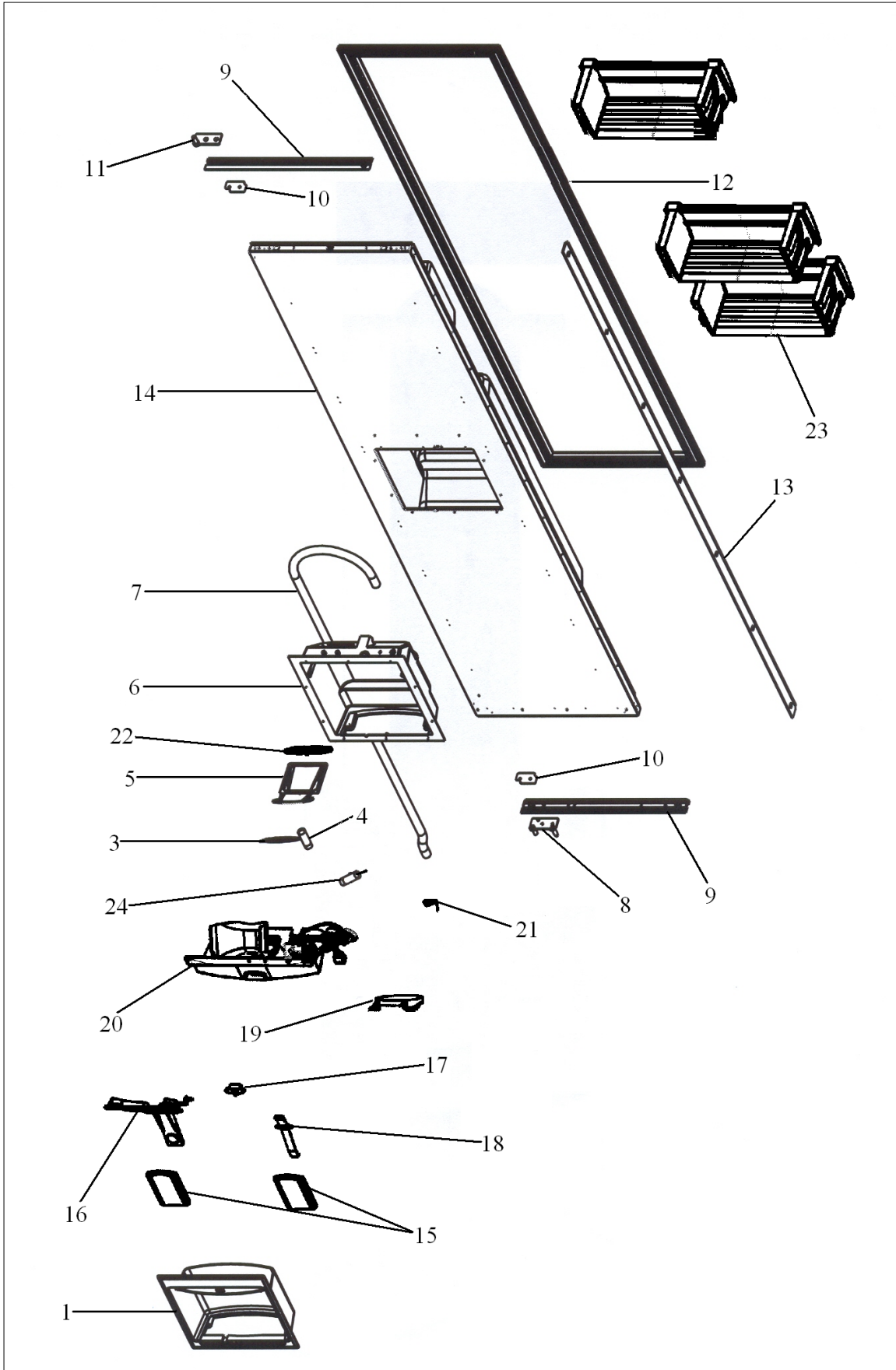
Item	Part No.	Name	Qty	Uom	NOTES
1	PK930264	SHELF COVER		EA	
2	C20910027	SUPPORT LS ICE BUCKET		EA	Not available online / Call for pricing and availability
3	PK930266	GLIDE L FZ		EA	
4	019144-000	ICE BUCKET ASM		EA	
<p>Comments for Part Num. 019144-000</p> <p>gboltz@VikingRange.com on Mar 28, 2017 See parts bulletin 2017-03P ice bucket helix replacement</p>					
#	G50911858	ICE MAKER ASM, NLA, order components, see TR-0023C-SP		EA	NO LONGER AVAILABLE
<p>Comments for Part Num. G50911858</p> <p>jennifer@thetrend.com on Feb 12, 2016 It would be nice to have the ice maker in the right location. Even better if it gave the right part number.</p> <p>vharding68@verizon.net on Mar 16, 2016 Doesn't matter where it is or the part number....There has been a bulletin on these ice makers since November of 2007 (Btw...it is superseded by another bulletin that is prior to that date). Bulletin number TR-0023B-SP</p> <p>Val @ bob's, pa bradleysapplianceservice@shaw.ca on Sep 1, 2016 SERVICE BULLETIN: TR-0023B-SP SUBS TO: 002252-000 ICE MAKER MODULE 002251-000 ICE MAKER BAIL ARM 002253-000 ICE MAKER WIRE HARNESS</p> <p>platinumcares@aol.com on Dec 4, 2017 i/m assy #002252-000 wire harness 002253-000 arm # 002251-000</p> <p>you will need all three</p>					
5	PK930265	GLIDE R FZ		EA	
6	PK930096	CLOSEOUT - ICE DISPENSER		EA	





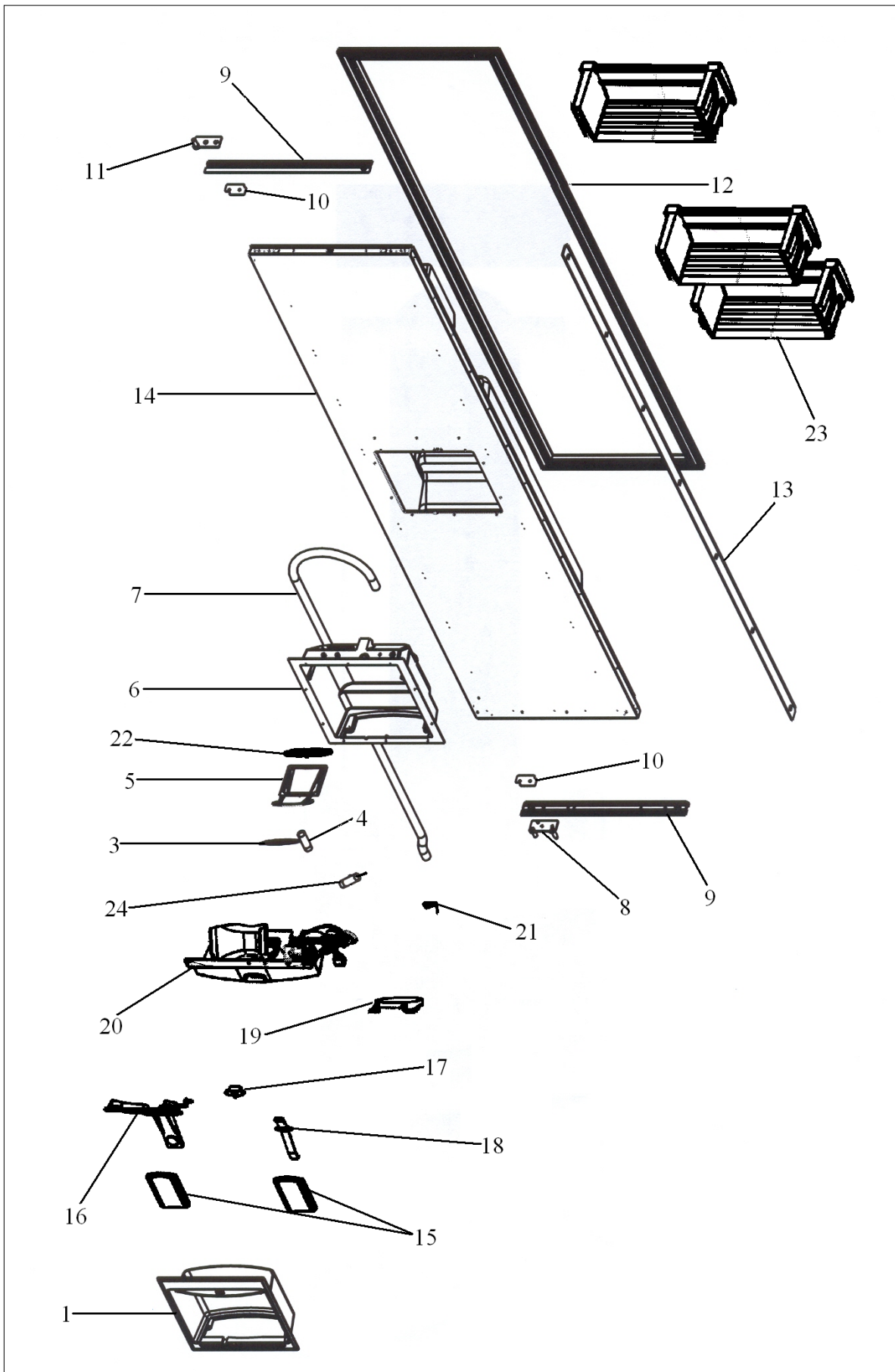
Item	Part No.	Name	Qty	Uom	NOTES
7	PM910375	LADDER R/L FZ		EA	
8	PM910411	SHELF WIRE AF 36		EA	
9	L20910067	BRACKET SHELF FZ		EA	
10	PK930075	GLIDE SXS 48 FZ L		EA	
11	PK930107	FZ BASKET SIDE SPACER FRONT		EA	
12	PK930074	GLIDE SXS 48 FZ R		EA	
13	PM910190	BASKET ASM FZ		EA	
14	PM910331C	CAP,HELIX		EA	

FRZ. DOOR FOAM ASSY





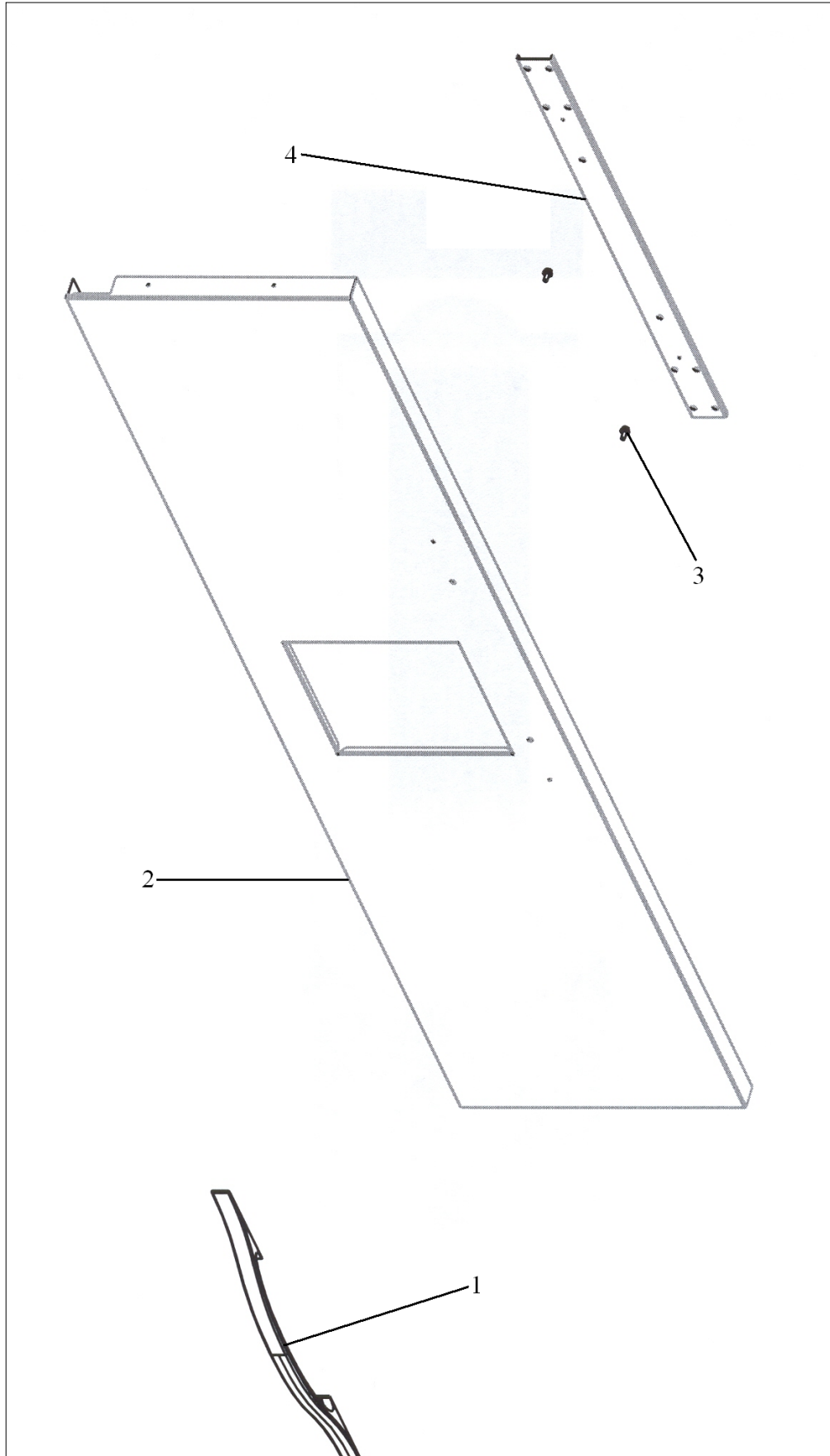
Item	Part No.	Name	Qty	Uom	NOTES
1	PB910233	Bezel, Ice / Water Dispenser		EA	
2	PB980026	Spill Tray		EA	
3	PK930401	DEFLECTOR-ICE		EA	
4	PK930274	TUBE CONNECTOR		EA	
5	12348201	Ice Chute		EA	
6	PK930403	CAVITY DISPENSER		EA	
7	PK930293	ADAPTER CABLE/WATERLINE BOTTOM SXS DISP		EA	
Not Shown	NOTE	(Before 1/6/06)		EA	
Not Shown	PB020303	Water Line		EA	
Not Shown	NOTE	(After 1/6/06)		EA	
8	PC920147	PIVOT PLATE ASSY - WC LH BOT		EA	
9	PM910311	Frame - Top / Bottom		EA	
10	PD940092	SPACER - DOOR HINGE		EA	
11	PC920132	PIVOT PLATE ASSY - LH		EA	
12	PB070292	Gasket		EA	
13	PE940176	Door Trim - Side		EA	
14	G50910709	Door Foam Assy. - Inc. Gasket		EA	
15	V12221005	PAD - E ACTUATOR (BLK)		Wholesale Price	
16	PK930383	Arm, Ice Dispenser		EA	
Not Shown	NOTE	(Before 2/14/06)		EA	
Not Shown	PK030470	ARM ICE ACTUATOR		EA	
Not Shown	NOTE	(After 2/14/06)		EA	
17	PE950152	SWITCH SLIDE		EA	
18	12220301	Arm, Water Dispenser		EA	
19	PK930381	DOOR DISPENSER		EA	
20	PE070866	DISPENSER CAVITY ASSEMBLY		EA	





Item	Part No.	Name	Qty	Uom	NOTES
Comments for Part Num. PE070866					
bradleysapplianceservice@shaw.ca on Apr 30, 2018					
SUBS TO: PE070866 DISPENSER CAVITY ASSY					
Not Shown	NOTE	Includes Switches		EA	
Not Shown	PM910481	Cavity Cover Assembly - WH (Before 4/15/05)		EA	
Not Shown	NOTE	Includes Switches		EA	
Not Shown	PE070755	DISPENSER CAVITY ASSEMBLY		EA	
Not Shown	NOTE	Includes Switches		EA	
Not Shown	PM910517	Cavity Cover Assembly - WH (After 4/15/05)		EA	
Not Shown	NOTE	Includes Switches		EA	
21	PC010021	SPRING DISP. DOOR		EA	
22	12193801	GASKET - ICE DR		EA	
23	036888-000	DOORBIN ASM SXS FZ		EA	
24	C8973603	Door Delay		EA	
#	043051-000	Door Harness		EA	
#	G50911859	Dispenser Line Sleeve Protector Kit		EA	
#	PB910274	Insert Façade (Before 4/15/05)		EA	
Not Shown	041624-000	Insert Façade (After 4/15/05)		EA	
#	PE970590	Lower Jumper Harness (After 4/15/05)		EA	
#	PE970591	Upper Jumper Harness (After 4/15/05)		EA	

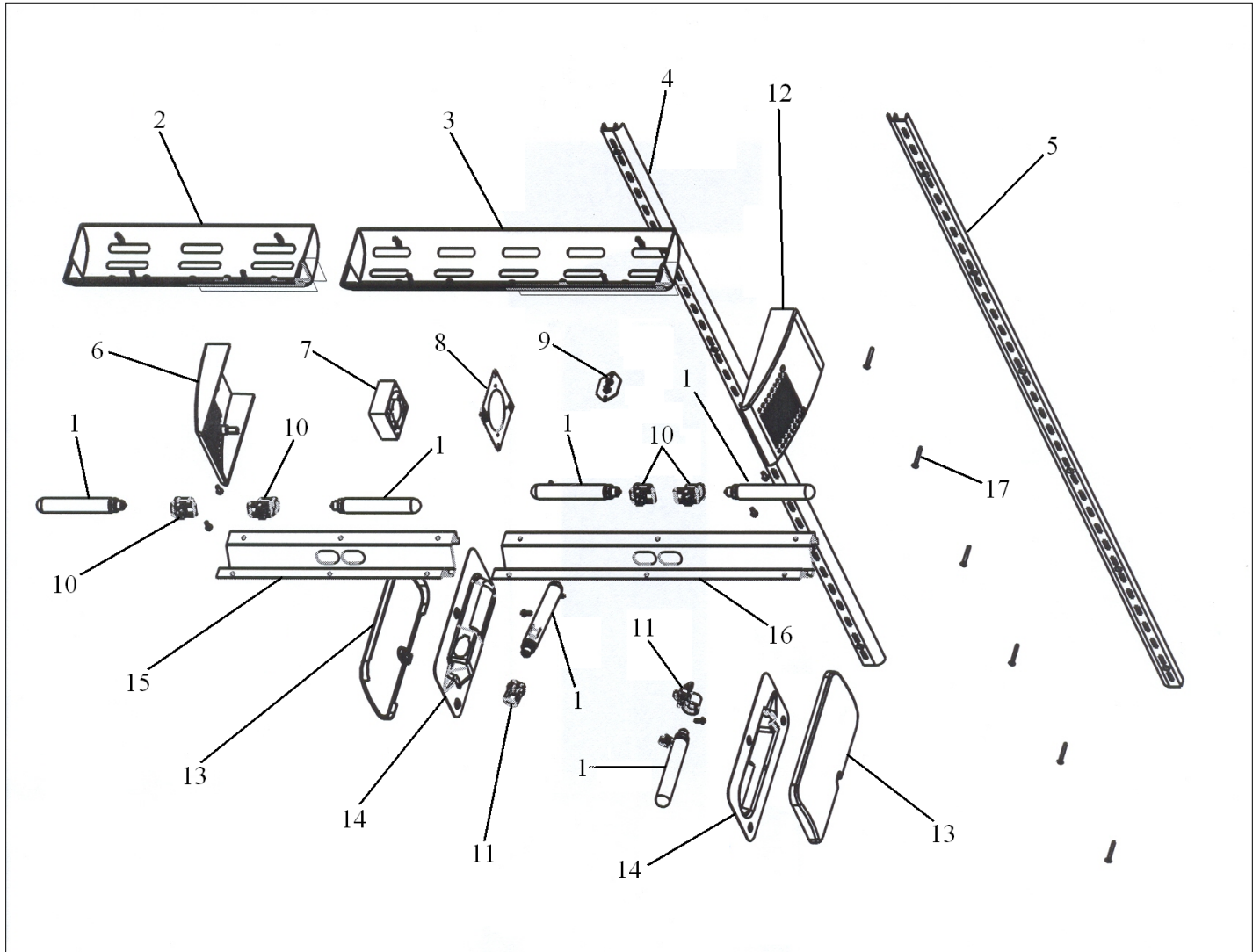
FRZ. DOOR SKIN ASSY





Item	Part No.	Name	Qty	Uom	NOTES
1	PE030166	Handle, Freezer Door - SS	1	EA	
Not Shown	PE030166PVD	Handle, Freezer Door - BR	1	EA	Not available online / Call for pricing and availability
2	B2099010	Door Skin Designer FZ 42 SxS disp	1	EA	Not available online / Call for pricing and availability
Not Shown	C9099010BK	Door Skin Designer FZ 42 SxS disp	1	EA	NO LONGER AVAILABLE, Not available online / Call for pricing and availability
Not Shown	L2099010WH	Door Skin Designer FZ 42 SxS disp	1	EA	NO LONGER AVAILABLE
Not Shown	C9099010BT	Door Skin Designer FZ 42 SxS disp	1	EA	NO LONGER AVAILABLE, Not available online / Call for pricing and availability
Not Shown	C9099010GG	Door Skin Designer FZ 42 SxS disp	1	EA	NO LONGER AVAILABLE
Not Shown	C9099010SG	Door Skin Designer FZ 42 SxS disp	1	EA	NO LONGER AVAILABLE, Not available online / Call for pricing and availability
3	M0204303	SCREW-MACH	1	EA	
4	K2097526	Bracket, Handle Support (Frz.)	1	EA	

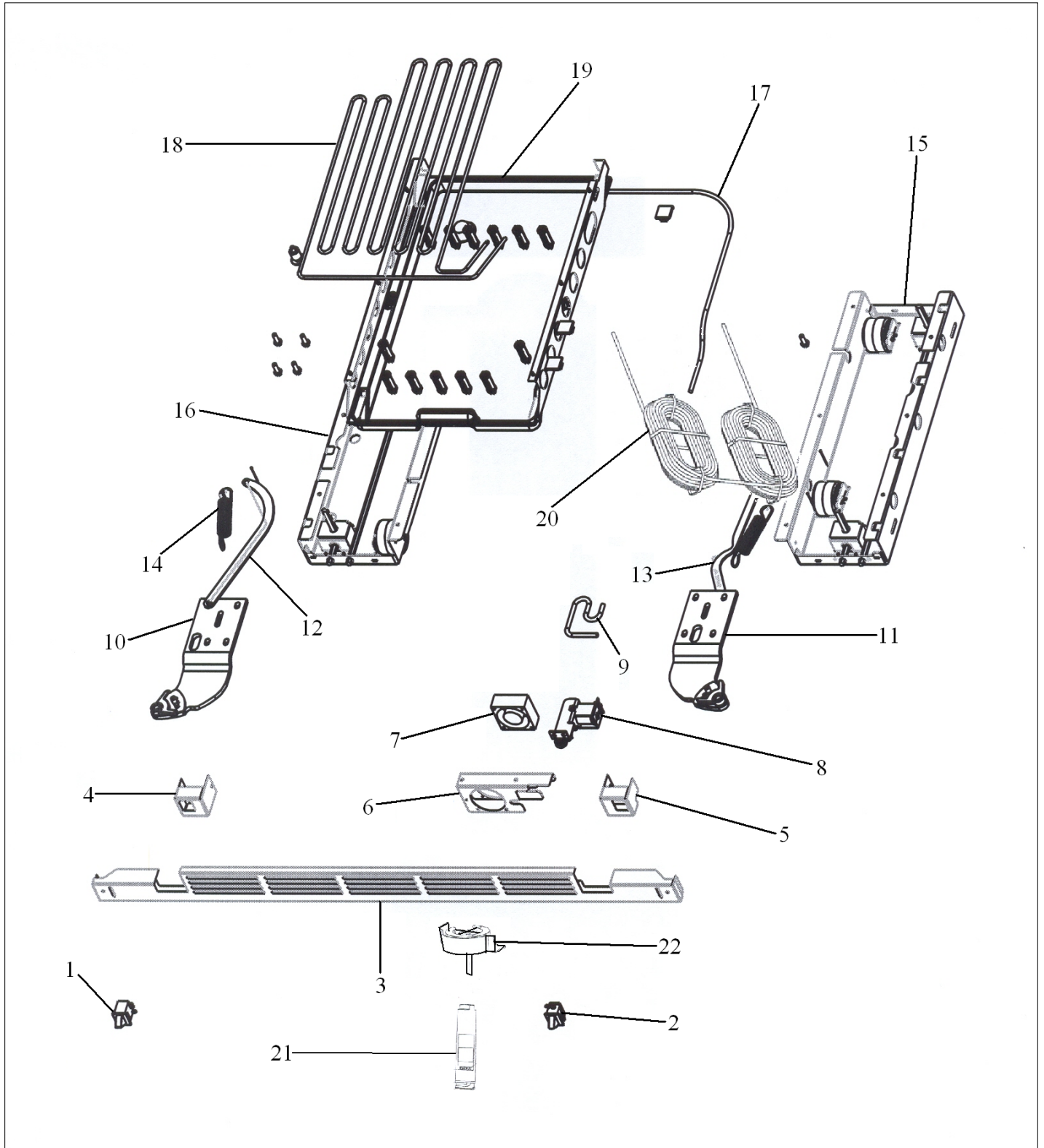
LIGHT AREA ASSY





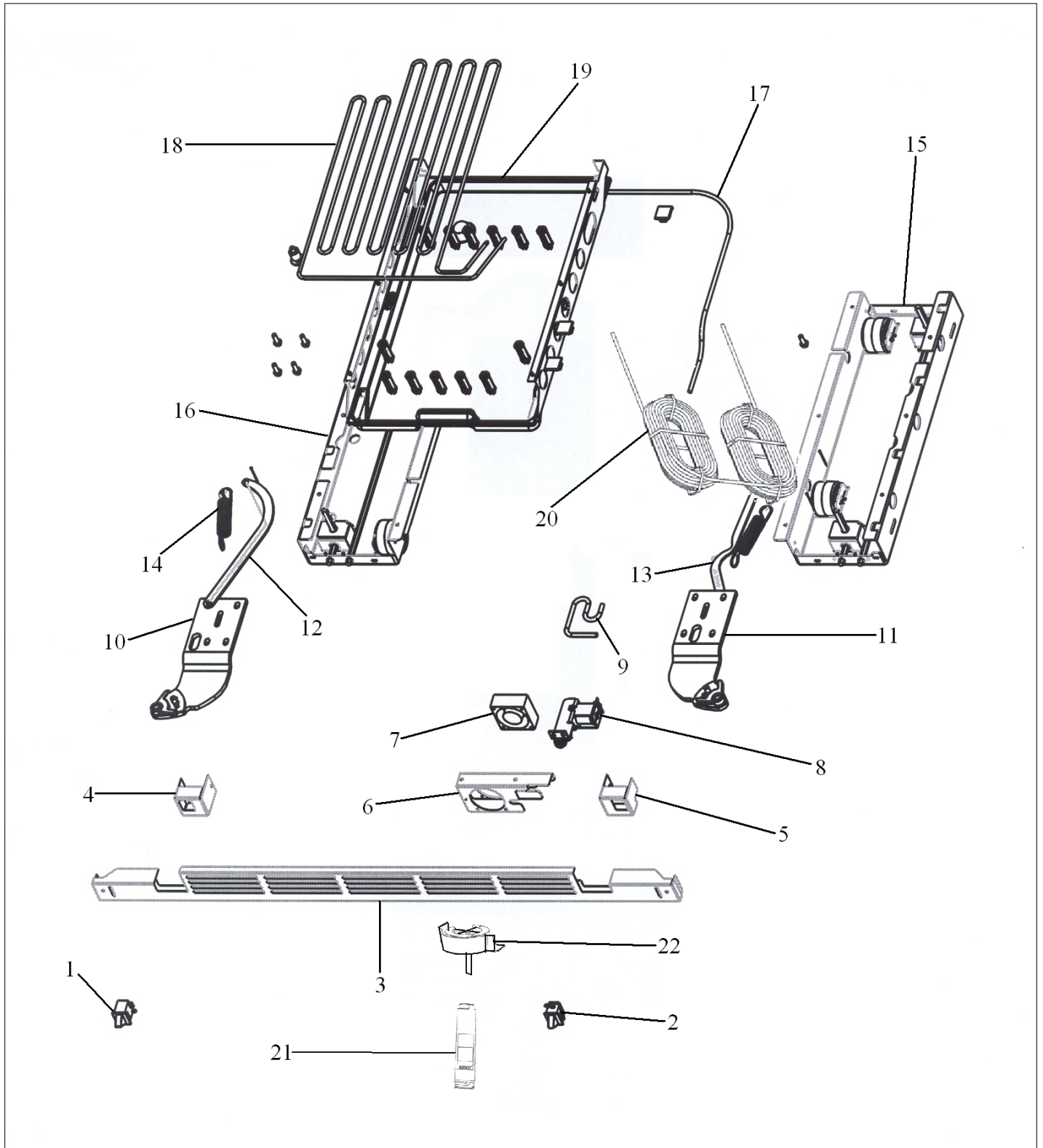
Item	Part No.	Name	Qty	Uom	NOTES
1	004528-000	LAMP, 40 WATT CLEAR LIGHT	1	EA	
2	020117-000	COVER LIGHT ASM SXS 42 FZ	1	EA	
3	PK930115	COVER LIGHT ASM SXS 42 FF	1	EA	
4	PM910228	LADDER LS REF	1	EA	NO LONGER AVAILABLE
Not Shown	NOTE	(BEFORE 5/1/06)		EA	
Not Shown	PK020079	LADDER FF L SXS 42D/48D	1	EA	
Not Shown	NOTE	(AFTER 5/1/06)		EA	
5	PM910227	LADDER RS REF	1	EA	
6	PK930086	COVER FAN SXS 48 FZ	1	EA	
7	004551-000	AXIAL FAN	1	EA	
<p>Comments for Part Num. 004551-000</p> <p>gboltz@VikingRange.com on Jul 21, 2016</p> <p>View service bulletin TR-0052-SP before ordering fan, if applicable order kit instead of fan</p>					
8	K2096475	FAN MOUNTING PLATE	1	EA	
9	C8983701	THERMISTOR	1	EA	
10	PE950125	LIGHT SOCKET	1	EA	
11	10281601	SOCKET-SGL LIGHT	1	EA	
12	PK930085	COVER FAN SXS 48 FF	1	EA	
13	PK930346	COVER LIGHT	1	EA	
14	10270203	HOUSING-LIGHT V10270203	1	EA	
15	L2099475	BRACKET LIGHT SXS FZ	1	EA	
16	L2099474	BRACKET LIGHT SXS 42 FF	1	EA	Not available online / Call for pricing and availability
17	M0238535	SCREW-SM	1	EA	
NI	PK920066	TRIM, EXTRU, SIDE DES	1	EA	

LOWER UNIT ASSEMBLY





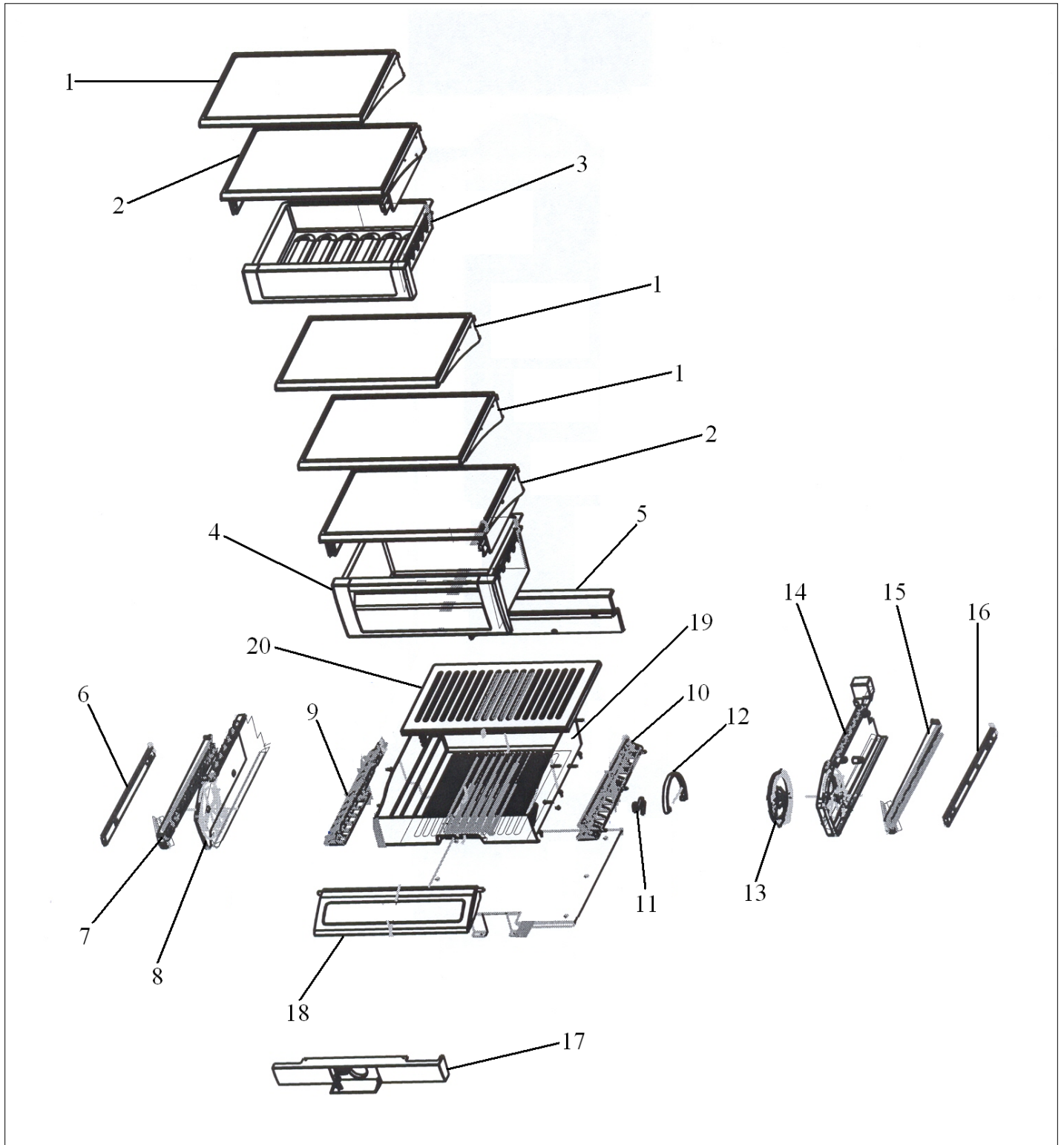
Item	Part No.	Name	Qty	Uom	NOTES
1	PE950146	SPDT SWITCH	1	EA	
2	PE950147	SWITCH SPST NC BLACK	1	EA	
<p>Comments for Part Num. PE950147</p> <p>bradleysapplianceservice@shaw.ca on May 1, 2017 CAUTION WHEN ORDERING DOOR SWITCH. PARTS LISTINGS COULD BE INCORRECT. THERE IS TWO VERSIONS OF THIS DOOR SWITCH THAT NEEDS TO BE VISUALLY CHECKED ON UNIT TO DETERMINE CORRECT PART. PE950146 DOOR SWITCH 3 WIRE SPDT BLACK PE950147 DOOR SWITCH 2 WIRE SPST BLACK</p>					
3	G50915601	GRILLE TOE ASM SXS 42	1	EA	
4	014334-000	BRACKET,LT,SWITCH	1	EA	
5	014334-000	BRACKET,LT,SWITCH	1	EA	
6	K2099464	BRACKET, FAN AND VALVE	1	EA	
7	004551-000	AXIAL FAN	1	EA	
<p>Comments for Part Num. 004551-000</p> <p>gboltz@VikingRange.com on Jul 21, 2016 View service bulletin TR-0052-SP before ordering fan, if applicable order kit instead of fan</p>					
8	PA070014	WATER VALVE	1	EA	
Not Shown	G50911843	WATER VALVE KIT	1	EA	
9	PB920202	TUBING, WATER VALVE	1	EA	
10	G3298649	HINGE ASM COMPLETE LL	1	EA	
11	G3298648	HINGE ASM COMPLETE LR	1	EA	
12	PC920149	BAR-WC BOT HINGE LH	1	EA	
13	PC920166	HINGE ASM COMPLETE RR	1	EA	
14	PC910015	SPRING EXTENSION	1	EA	
15	060890-000	LEVELER MODULE R	1	EA	
16	060891-000	LEVELER MODULE L	1	EA	
17	PB020302	PLASTIC TUBING-DOOR WATERLINE SXS DISP	1	EA	
18	F20915693	SERPENTINE CONDENSER DRAIN ALL SXS'S	1	EA	
19	12071301	PAN, DRAIN	1	EA	





Item	Part No.	Name	Qty	Uom	NOTES
Not Shown	NOTE	(Before 02/07/05)		EA	
Not Shown	PK930348	PAN DRAIN	1	EA	
Not Shown	NOTE	(After 02/07/05)		EA	
20	PB920223	TANK, COILED WATER	1	EA	
21	PM910465	WATER FILTER	1	EA	
Not Shown	NOTE	MUST HAVE INSTALLED G50911814 KIT BEFORE		EA	
Not Shown	NOTE	PM910465 CAN BE USED IF UNTI MADE BEFORE 7/19/04.		EA	
22	041669-000	FILTER/COIL TUBE ASSEMBLY	1	EA	
NI	G50911853	TRAY PAN HEATER	1	EA	
#	G32913787	BRKT & FAN COND ASM	1	EA	NO LONGER AVAILABLE, Not available online / Call for pricing and availability

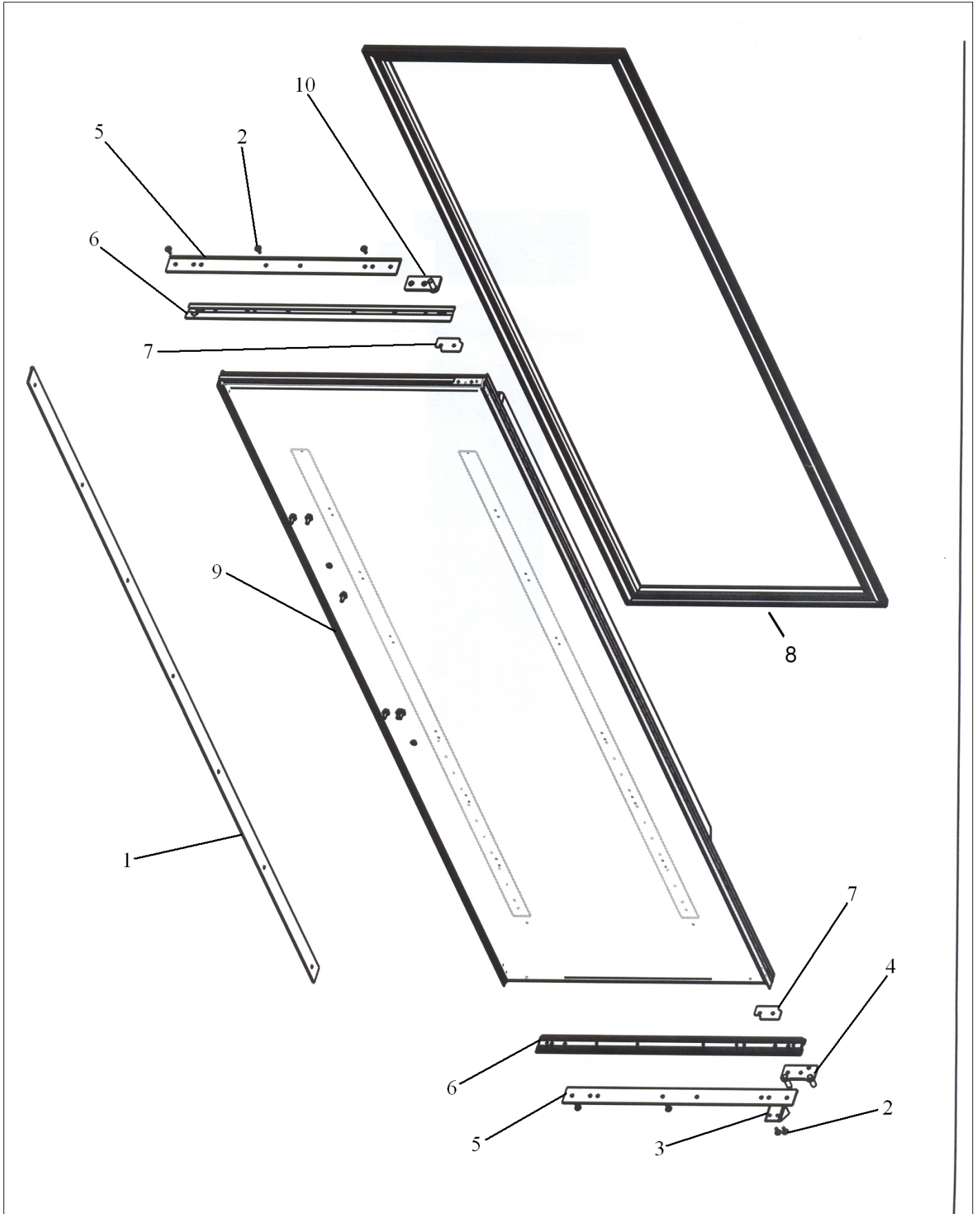
REF. COMP. ASSY





Item	Part No.	Name	Qty	Uom	NOTES
1	PM910236	GLASS SHELF	1	EA	Not available online / Call for pricing and availability
2	G5099965	SHELF AND SLIDE ASM SXS 42	1	EA	
3	G32910068	DRAWER DELI & RAIL ASM SXS 42	1	EA	
4	G32910069	PRODUCE DRAWER & RAIL ASM SXS 42	1	EA	
5	PK930171	DUCT MEAT SAVOR SXS 42 REAR	1	EA	
6	PM910288	SLIDE MEAT SAVOR L	1	EA	
<p>Comments for Part Num. PM910288</p> <p>profixappliances@gmail.com on May 3, 2017</p> <p>ITEM # 5 SHOULD BE PK930288-DOOR MEATSAVOR ASM AR/BM 36</p>					
7	PK930176	SUPPORT DRAWER MEAT SAVOR 42/48 L	1	EA	
8	PK930170	DUCT MEAT SAVOR SXS 42 L	1	EA	
9	PK930174	SUPPORT SLIDE MEAT SAVOR SXS 42/48 L	1	EA	
10	PK930173	SUPPORT SLIDE MEAT SAVOR SXS 42/48 R	1	EA	
11	PM910334	ROLLER TENSION	1	EA	
12	PK930172	COVER CONTROL MEAT SAVOR	1	EA	
13	044384-000	DIAL CONTROL MEAT SAVOR	1	EA	
14	044232-000	DUCT MEAT SAVOR (R)	1	EA	
15	PK930175	SUPPORT DRAWER MEAT SAVOR SXS 42/48 R	1	EA	
16	PM910287	SLIDE MEAT SAVOR R	1	EA	
17	G50910716	FALSE FRONT ASM, SXS 42 DISP	1	EA	
18	045689-000	DOOR MEATSAVOR ASM SXS 42	1	EA	
19	PK930114	DRAWER MEAT SAVOR SXS 42	1	EA	
20	PK930120	SHELF MEAT SAVOR SXS 42	1	EA	
NI	019244-000	ACCESSORY, ASM	1	EA	

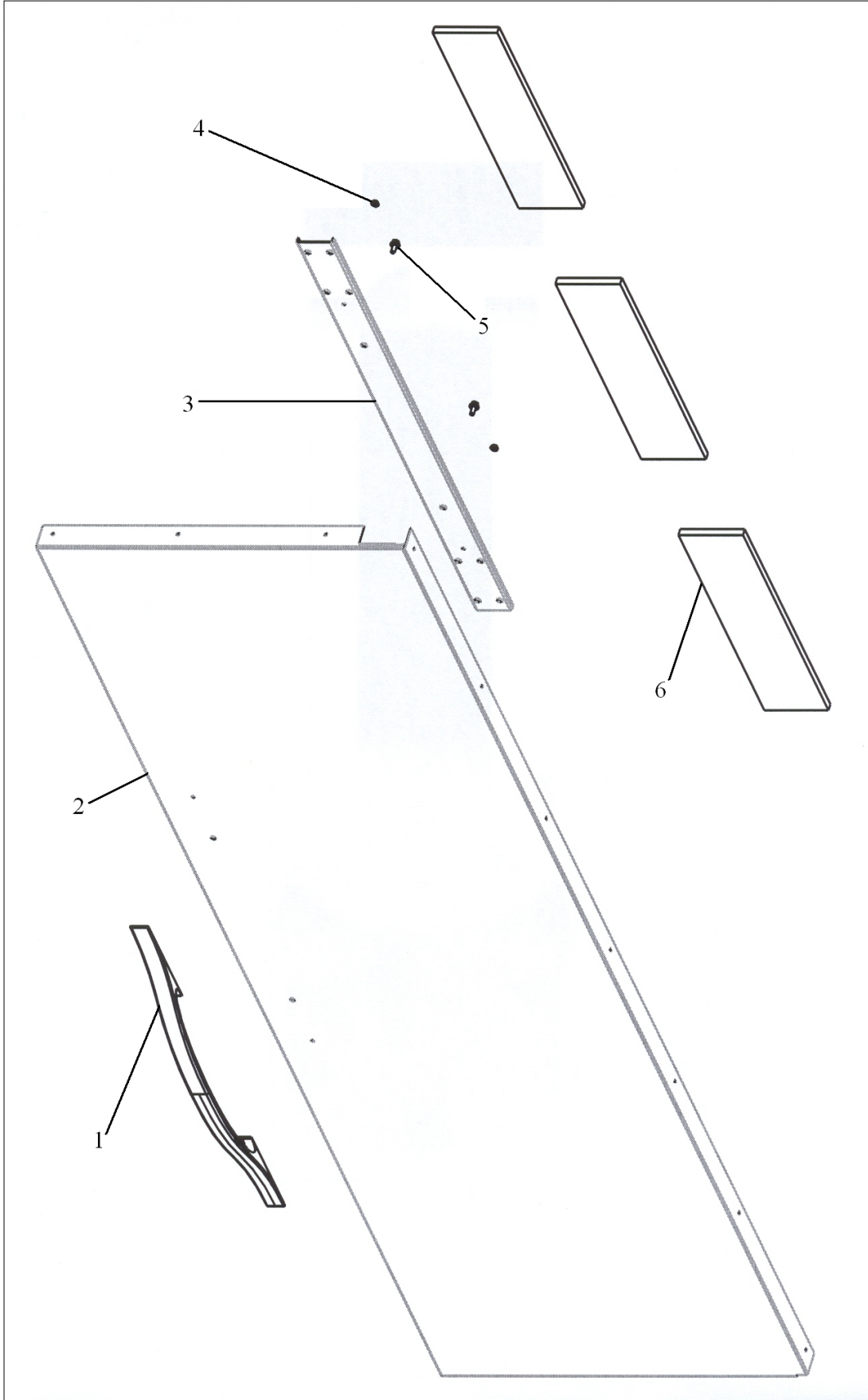
REF. DOOR FOAM ASSY





Item	Part No.	Name	Qty	Uom	NOTES
1	PE970146	DOOR TRIM - SIDE	1	EA	Not available online / Call for pricing and availability
2	M0210458	SUB TO VM0210458	1	EA	
3	PD050019	STRIKER DOOR SWITCH	1	EA	
4	PC920146	PIVOT PLATE ASSY - WC RH BOT	1	EA	
5	PK930240	TRIM DOOR BULLNOSE SXS 42 FF TOP/BOT	1	EA	NO LONGER AVAILABLE
6	PM010612	TRIM DOOR 42 FF TOP BOT FOL	1	EA	
7	PD940092	SPACER - DOOR HINGE	1	EA	
8	PB070293	DOOR GASKET, 42 SXS FF SIDE CHARGE	1	EA	
9	G5098623	DOOR FOAM ASM SXS 42 FF	1	EA	NO LONGER AVAILABLE, Not available online / Call for pricing and availability
10	PC920133	PIVOT PLATE ASSY - RH	1	EA	

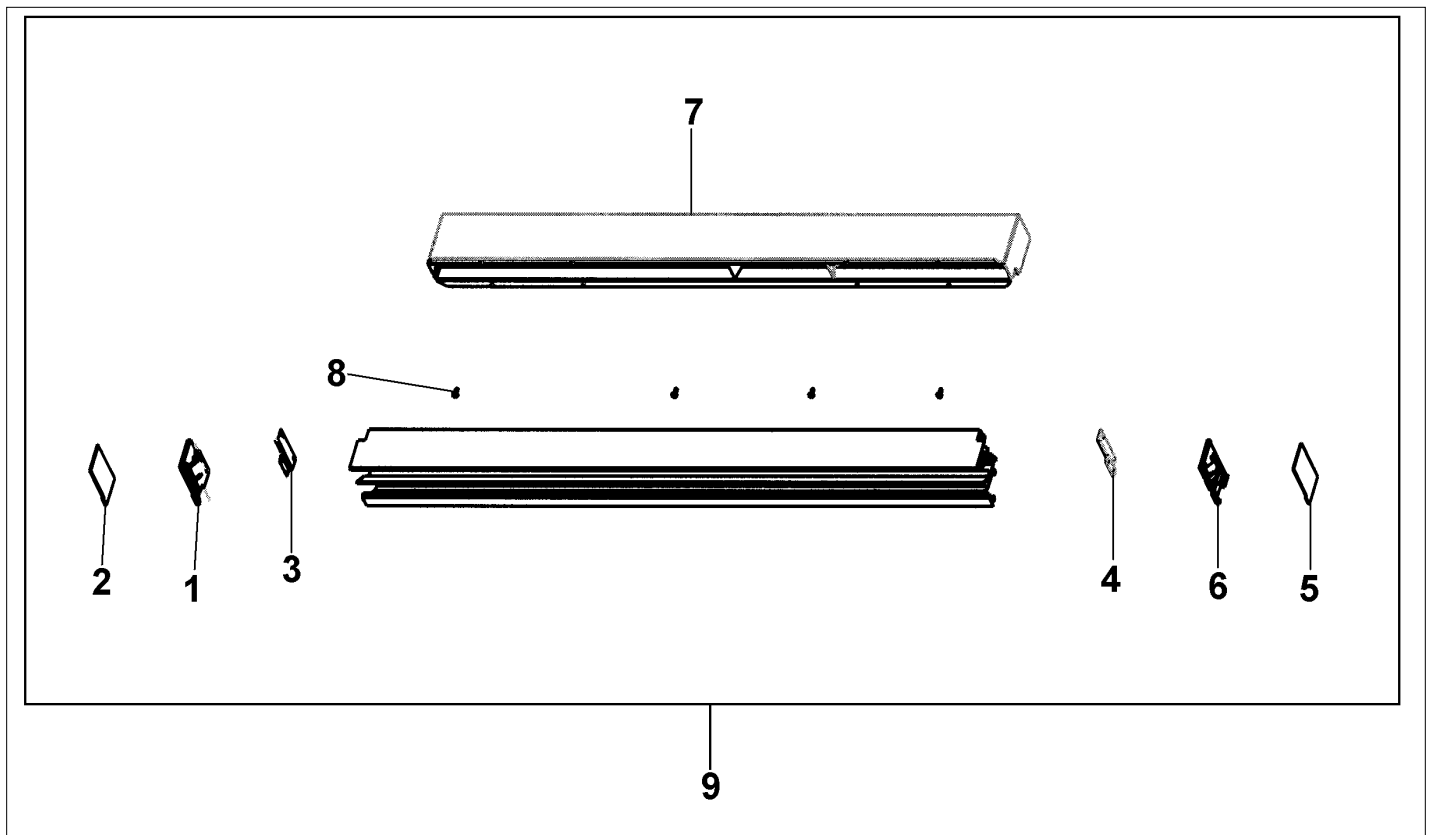
REF. DOOR SKIN ASSY





Item	Part No.	Name	Qty	Uom	NOTES
1	PE030166	Handle, Freezer Door - SS	1	EA	
Not Shown	PE030166PVD	Handle, Freezer Door - BR	1	EA	Not available online / Call for pricing and availability
2	B2099429	SKIN DOOR SXS 42 FF DES	1	EA	
Not Shown	C9099429BK	DOOR SKIN SXS 42 FF DES BK	1	EA	NO LONGER AVAILABLE
Not Shown	L2099429WH	DOOR SKIN SXS 42 FF DES WH	1	EA	NO LONGER AVAILABLE
Not Shown	C9099429BT	DOOR SKIN SXS 42 FF DES BT	1	EA	NO LONGER AVAILABLE, Not available online / Call for pricing and availability
Not Shown	C9099429GG	DOOR SKIN SXS 42 FF DES GG	1	EA	NO LONGER AVAILABLE
Not Shown	C9099429SG	DOOR SKIN SXS 42 FF DES SG	1	EA	NO LONGER AVAILABLE, Not available online / Call for pricing and availability
3	K2097526	Bracket, Handle Support (Frz.)	1	EA	
4	PD030006	CAPPED WASHER PAL NUT	1	EA	
5	M0204303	SCREW-MACH	1	EA	
6	PM910067	INSULATION (REFRIGERATOR DOOR)	1	EA	Not available online / Call for pricing and availability

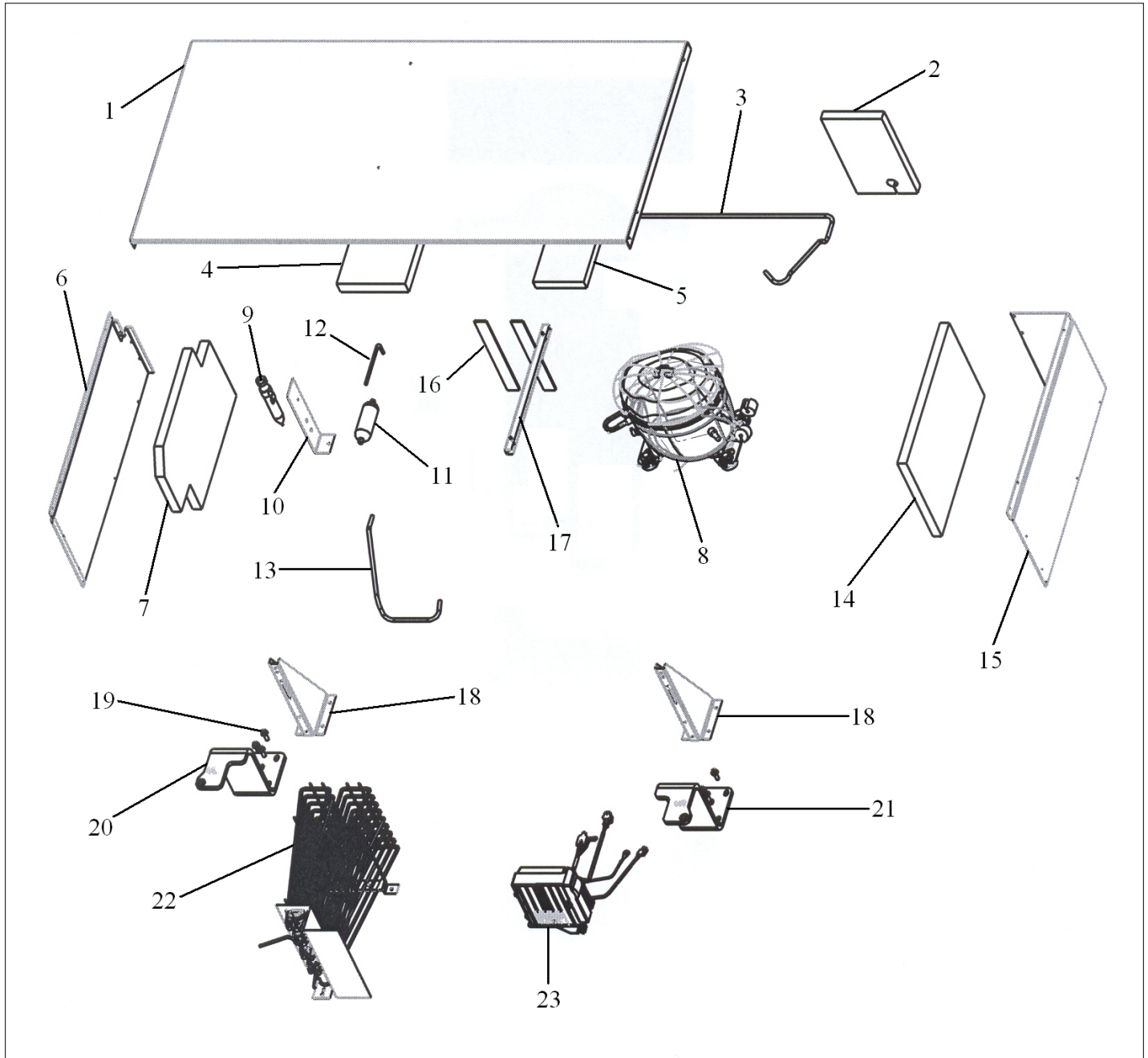
UPPER GRILLE ASSY





Item	Part No.	Name	Qty	Uom	NOTES
1	PM910349	END CAP GRILLE L	1	EA	
2	PM910071	COVER - END CAP 12119801	1	EA	
3	K20912569	BRACKET GRILLE SUPPORT	1	EA	
4	K20912569	BRACKET GRILLE SUPPORT	1	EA	
5	PM910072	COVER - END CAP	1	EA	
6	PM910348	ENP CAP GRILLE R	1	EA	
7	G3097768	AIR DUCT WELD ASM 42	1	EA	NO LONGER AVAILABLE
8	M0238616	SCREW, SMALL	1	EA	
9	G32912541	GRILLE ASM SXS 42 DES	1	EA	Not available online / Call for pricing and availability

UPPER UNIT ASSY





Item	Part No.	Name	Qty	Uom	NOTES
1	K2099458	MC TOP SXS 42		EA	
2	PB970171	MC INSULATION - BACK SIDE		EA	Not available online / Call for pricing and availability
3	F2099443	TUBE DISCHARGE FORMED PRE ACCUM		EA	
4	12074704	INSUL-MC CVR		EA	
5	12074701	INSUL-MC CVR V12074701		EA	
6	K2099460	MC SIDE L		EA	
7	12074601	INSUL-L MC CVR V12074601		EA	
8	G5097976	Compressor Assembly (Includes Drier)		EA	
9	PM010616	DRIER - HIGH SIDE		EA	
10	K2099454	BRACKET DRIER		EA	
11	PB920201	ACCUMULATOR		EA	
12	F2096504	TUBE-DRIER EXT		EA	
13	F2099444	TUBE DISCHARGE FORMED POST ACCUM		EA	
14	12074702	INSUL-R MC CVR V12074702		EA	
15	K2099459	MC SIDE (RIGHT)		EA	
16	A3189370	GASKET-FOAM VA3189370		EA	
17	K2099455	SUPPORT MC Z		EA	
18	C2097595	Louver Support Bracket		EA	
19	000570-000	FASTENER, BOLT, 1/4-20 IHXWS 1" S ZN SER		EA	
20	PC920204	HINGE ASM UL		EA	
21	PC920203	HINGE ASM UR		EA	
22	PB920171	CONDENSER ASM		EA	
23	011666-000	INVERTER,CMPR,ASM		EA	
Comments for Part Num. 011666-000					
gboltz@VikingRange.com on Aug 9, 2018					
See 2018-01P Parts Bulletin					
NI	053308-000	HEAT EXCHANGER ASM SXS 42		EA	



Appendix A:Pages Index

CONTROL ASSY 1
EVAP AREA ASSY 2
FRZ. COMP. ASSY 3
FRZ. DOOR FOAM ASSY 4
FRZ. DOOR SKIN ASSY 5
LIGHT AREA ASSY 6
LOWER UNIT ASSEMBLY 7
REF. COMP. ASSY 8
REF. DOOR FOAM ASSY 9
REF. DOOR SKIN ASSY 10
UPPER GRILLE ASSY 11
UPPER UNIT ASSY 12



Appendix B:Parts Index

000570-000	12	C9099010BT	5
002670-000	1	C9099010GG	5
004528-000	6	C9099010SG	5
004551-000	6, 7	C9099429BK	10
005319-000	1	C9099429BT	10
011666-000	12	C9099429GG	10
014334-000	7, 7	C9099429SG	10
019144-000	3	F20915693	7
019244-000	8	F2096504	12
020117-000	6	F2099443	12
036888-000	4	F2099444	12
041624-000	4	G3097768	11
041669-000	7	G32910068	8
043051-000	4	G32910069	8
044232-000	8	G32912541	11
044384-000	8	G32913787	7
045689-000	8	G3298648	7
053308-000	12	G3298649	7
060890-000	7	G50910020	2
060891-000	7	G50910709	4
10270203	6	G50910716	8
10281601	6	G50911843	7
12071301	7	G50911853	7
12074601	12	G50911858	3
12074701	12	G50911859	4
12074702	12	G50915601	7
12074704	12	G5097976	12
12193801	4	G5098623	9
12220301	4	G5098660	2
12348201	4	G5099965	8
A3189370	12	K20910061	1
B2099010	5	K20912569	11, 11
B2099429	10	K2096457	2
C20910027	3	K2096458	2
C20910058	2	K2096475	6
C2097595	12	K2097526	5, 10
C8973603	4	K2098654	1
C8983701	2, 6	K2099454	12
C90910713WH	2	K2099455	12
C9099010BK	5	K2099458	12
		K2099459	12



DDSB423DHSERIES

K2099460	12	PD030006	10
K2099464	7	PD050019	9
L20910054	2	PD940092	4, 9
L20910056	2	PE030166	5, 10
L20910057	2	PE030166PVD	5, 10
L20910067	3	PE070728	1
L20910074	2	PE070755	4
L20910075	2	PE070866	4
L2098027	2	PE940176	4
L2099010WH	5	PE950125	6
L2099429WH	10	PE950146	7
L2099474	6	PE950147	7
L2099475	6	PE950149	1
M0204303	5, 10	PE950150	1
M0210458	9	PE950152	4
M0238535	6	PE950158	2
M0238616	11	PE950159	1
Order #15	1, 1	PE970146	9
PA070014	7	PE970330	1
PB020302	7	PE970331	1
PB020303	4	PE970464	1
PB070292	4	PE970465	1
PB070293	9	PE970590	4
PB910233	4	PE970591	4
PB910274	4	PK020079	6
PB920171	12	PK030470	4
PB920201	12	PK920066	6
PB920202	7	PK930074	3
PB920223	7	PK930075	3
PB970171	12	PK930085	6
PB980026	4	PK930086	6
PC010021	4	PK930096	3
PC910015	7	PK930107	3
PC920132	4	PK930114	8
PC920133	9	PK930115	6
PC920146	9	PK930120	8
PC920147	4	PK930170	8
PC920149	7	PK930171	8
PC920166	7	PK930172	8
PC920203	12	PK930173	8
PC920204	12	PK930174	8



PK930175	8
PK930176	8
PK930230	1
PK930240	9
PK930264	3
PK930265	3
PK930266	3
PK930274	4
PK930293	4
PK930346	6
PK930348	7
PK930381	4
PK930383	4
PK930401	4
PK930403	4
PM010612	9
PM010616	12
PM910067	10
PM910071	11
PM910072	11
PM910190	3
PM910227	6
PM910228	6
PM910236	8
PM910287	8
PM910288	8
PM910311	4
PM910325	1
PM910331C	3
PM910334	8
PM910348	11
PM910349	11
PM910375	3
PM910411	3
PM910465	7
PM910481	4
PM910517	4
V12221005	4