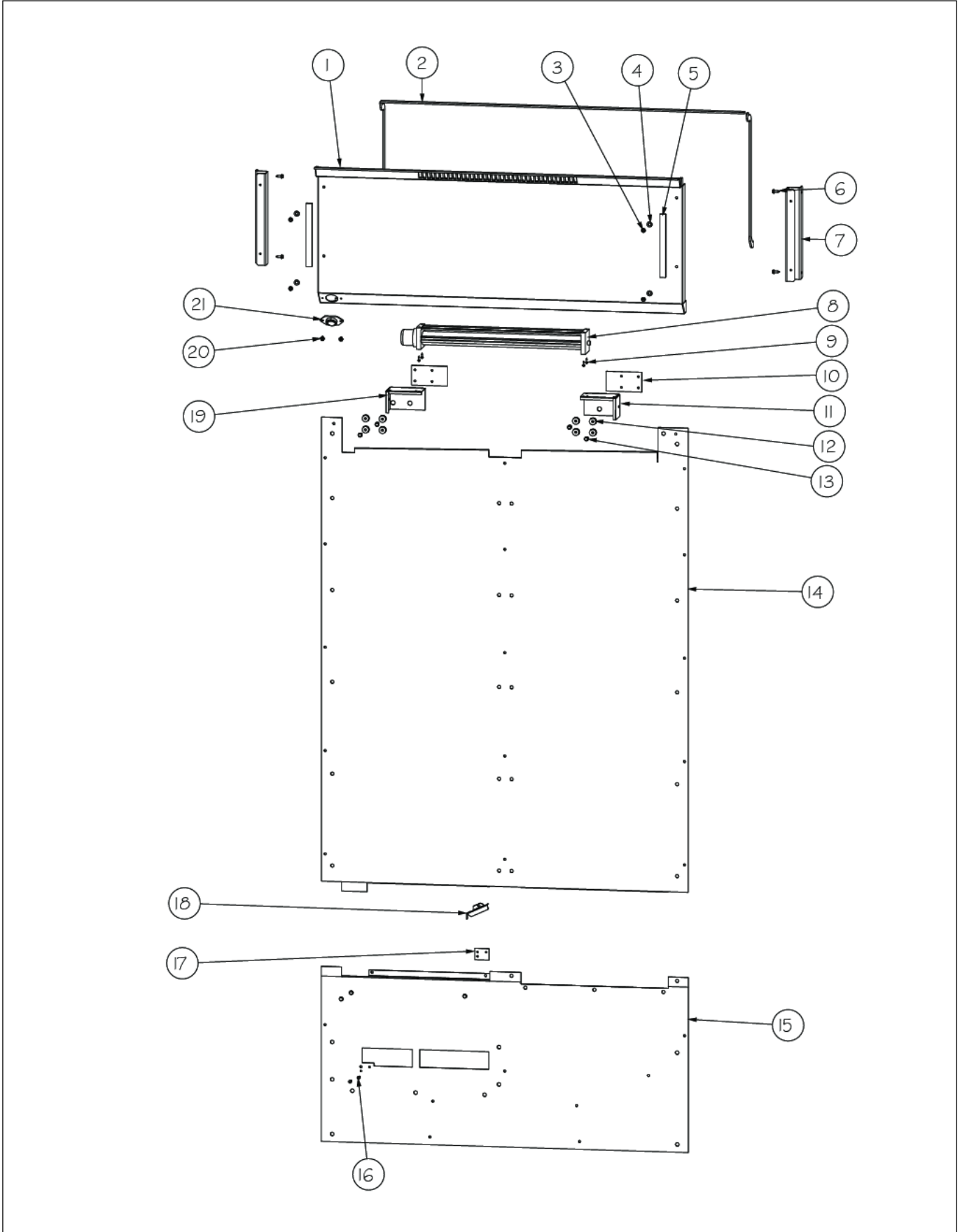


DDRB536

AIR HANDLING ASSEMBLY	1
CONTROL ASSEMBLY	2
DOOR ASSEMBLY	3
EXTERIOR ASSEMBLY	4
INTERIOR ASSEMBLY	5
LOW SIDE ASSEMBLY	6
LOWER UNIT ASSEMBLY	7
MC COVER AND UPPER GRILLE ASSEM	8
SEALED SYSTEM ASSEMBLY	9
Appendix A:Pages Index	A
Appendix B:Parts Index	B

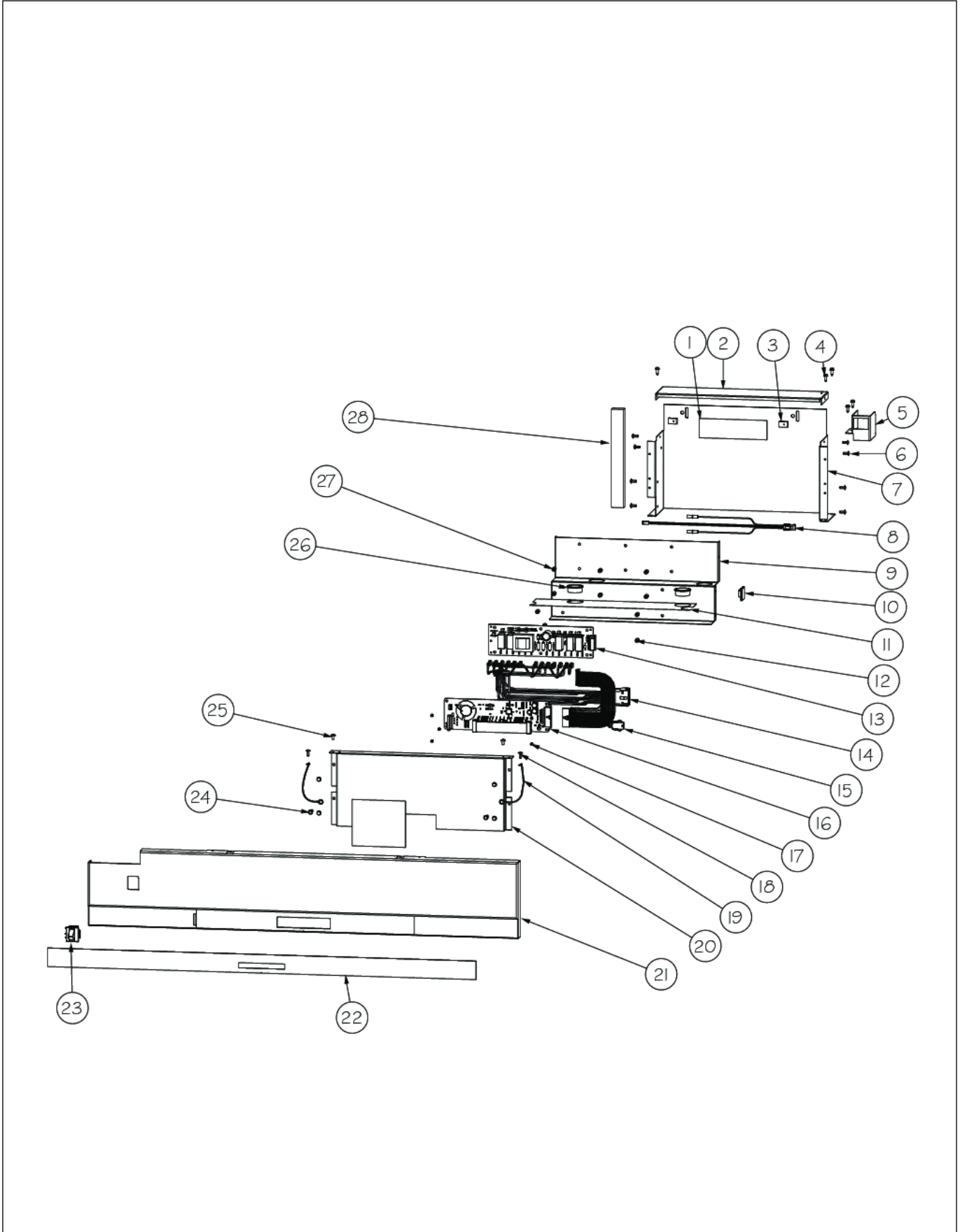
AIR HANDLING ASSEMBLY





Item	Part No.	Name	Qty	Uom	NOTES
1	L20914100	COVER EVAP AR 36	1	EA	
2	020900-000	COVER, EVAP, ASM, AIR, HDLG, AR, 36	1	EA	
3	PD020238	SCR WH HEX WSHR HD SLTD #8-18 X 1/2	4	EA	
4	PD040150	WASHER FLAT NYLON #10	4	EA	
5	PB070288	1/4" X 1/2" CLOSED CELL SPONGE	2	EA	
6	PD020194	SCR, HEX SRTD WSHR HD, #8-18 X 1/2	7	EA	
7	K20914102	K20914102	2	EA	
8	PE950154	FAN EVAP HORIZ AF AR 30 (See TR-0063-SP Fan Bulletin)	1	EA	See TR-0063-SP Fan Bulletin
Comments for Part Num. PE950154					
gboltz@VikingRange.com on Apr 18, 2019					
See TR-0063-SP Fan Bulletin					
9	PD020013	TYPE "AB" #6 X 3/8 PH PAN HD. SMS	4	EA	
10	B10914128	SPACER FAN AR 36/30	2	EA	
11	K20914132	BRKT, FAN MTG RT AR 36	1	EA	
12	12234001	GROMMET-VIBRATION	8	EA	
13	M0238859	SCREW-SHLDR	4	EA	
14	L20913712WH	COVER SUMP UPPER AR 36	1	EA	
15	L20913716WH	COVER SUMP LOWER AR 36	1	EA	
16	B5642901	RIVET-W POP	2	EA	
17	K10913714	PLATE TAP LWR EVAP CVR AR 36	1	EA	Not available online / Call for pricing and availability
18	L20913713	DIVIDER AIR AR 36	1	EA	Not available online / Call for pricing and availability
19	K20914133	BRKT, FAN MTG LT AR 36	1	EA	
20	M0211014	SCREW-SM	2	EA	Not available online / Call for pricing and availability
21	C8983701	THERMISTOR	1	EA	

CONTROL ASSEMBLY





Item	Part No.	Name	Qty	Uom	NOTES
1	PF930487	TECH LITERATURE LABEL - 2	1	EA	
2	K20915000	CONTROL BOX TOP	1	EA	
3	M0288120	NUT-SPEED VM0288120	1	EA	
4	PD020194	SCR, HEX SRTD WSHR HD, #8-18 X 1/2	7	EA	
5	K2098654	Bracket, Power Switch	1	EA	
6	PC040010	POP RIVET (.063/GR -.125) GAMD42-A	8	EA	
7	K2099402	CONTROL BOX	1	EA	
8	PE970609	HARNESS CONTROL BOARD 5 SERIES	1	EA	
9	K20910060	BRACKET - PC	1	EA	
10	M0104106	CLIP-CORD VM0104106	1	EA	
11	005396-000	FILM,PROTECTIVE	1	EA	
12	M0585506	SUPPORT	4	EA	
13	005319-000	POWER CONTROL BOARD ASM 5 SERIES	1	EA	

Comments for Part Num. 005319-000

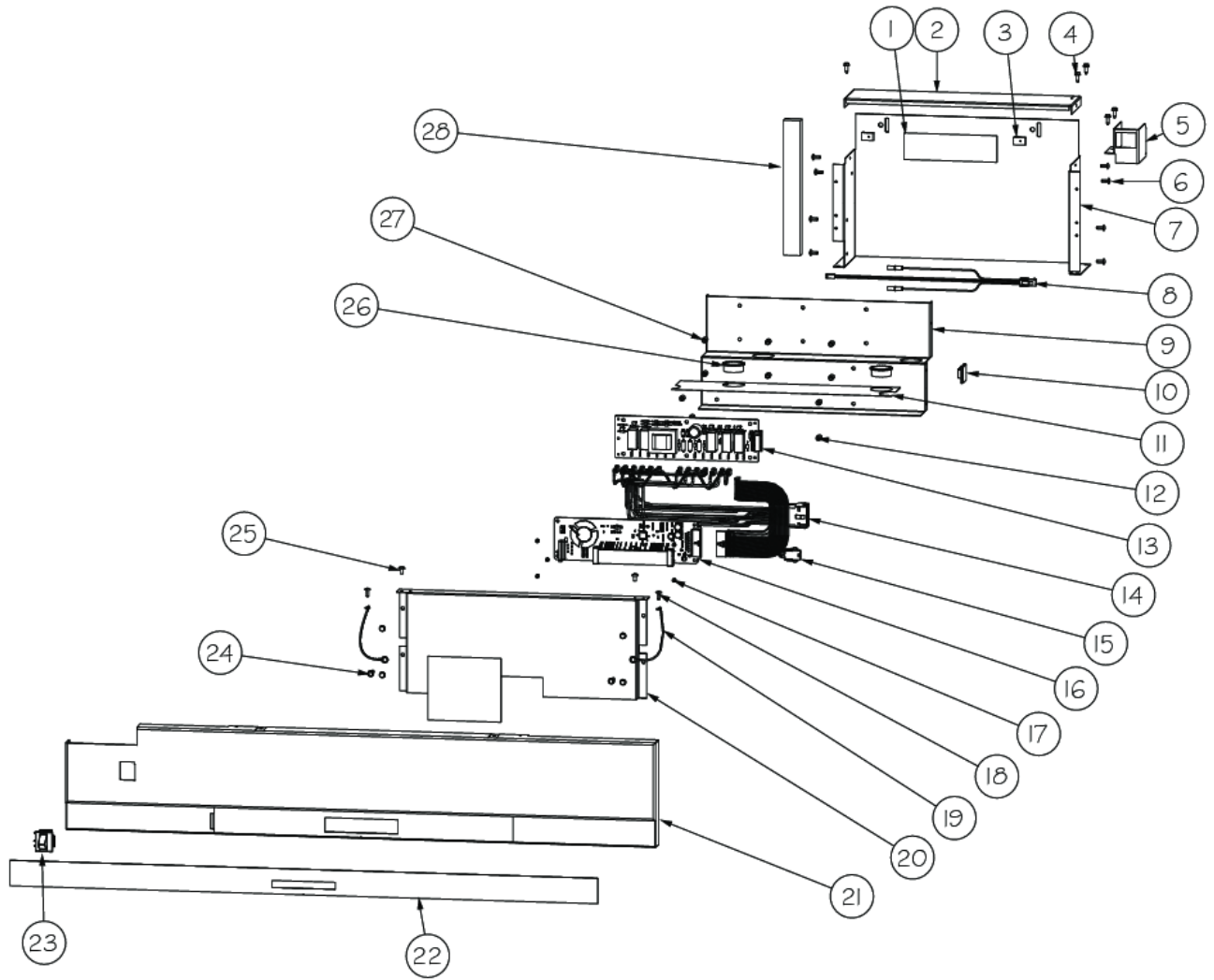
boltz on Apr 12, 2018
See TR-0056-SP Bulletin

14	PE070785	Harness, High Voltage Board	1	EA	
15	PE970464	HARNESS LOW VOLT 5 SERIES	1	EA	
16	PE070728	BOARD LOW VOLTAGE	1	EA	

Comments for Part Num. PE070728

bradleysapplianceservice@shaw.ca on Apr 27, 2016
COULD ALSO USE: 002670-000 LOW VOLTAGE BOARD KIT ANALOG - INCLUDES WIRE HARNESS

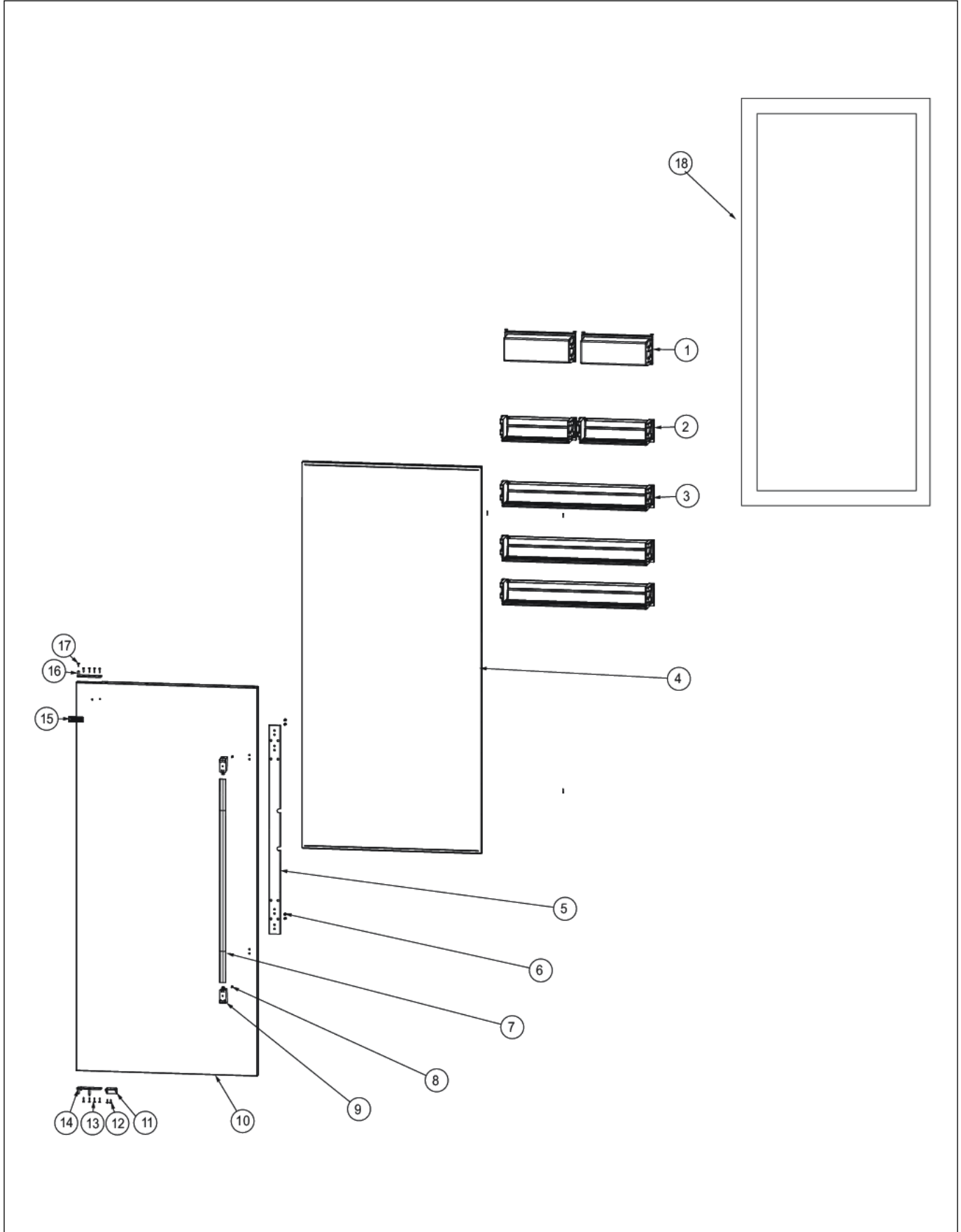
17	PD020013	TYPE "AB" #6 X 3/8 PH PAN HD. SMS	5	EA	
18	PC040010	POP RIVET (.063/GR -.125) GAMD42-A	2	EA	
19	12064001	SUPP-CONT PANEL	2	EA	
20	K20910061	CONTROL BOX FRONT	1	EA	
21	PK030459	PANEL CONTROL AR 36 L	1	EA	
22	010497-000	OVERLAY SWITCH AR 36	1	EA	





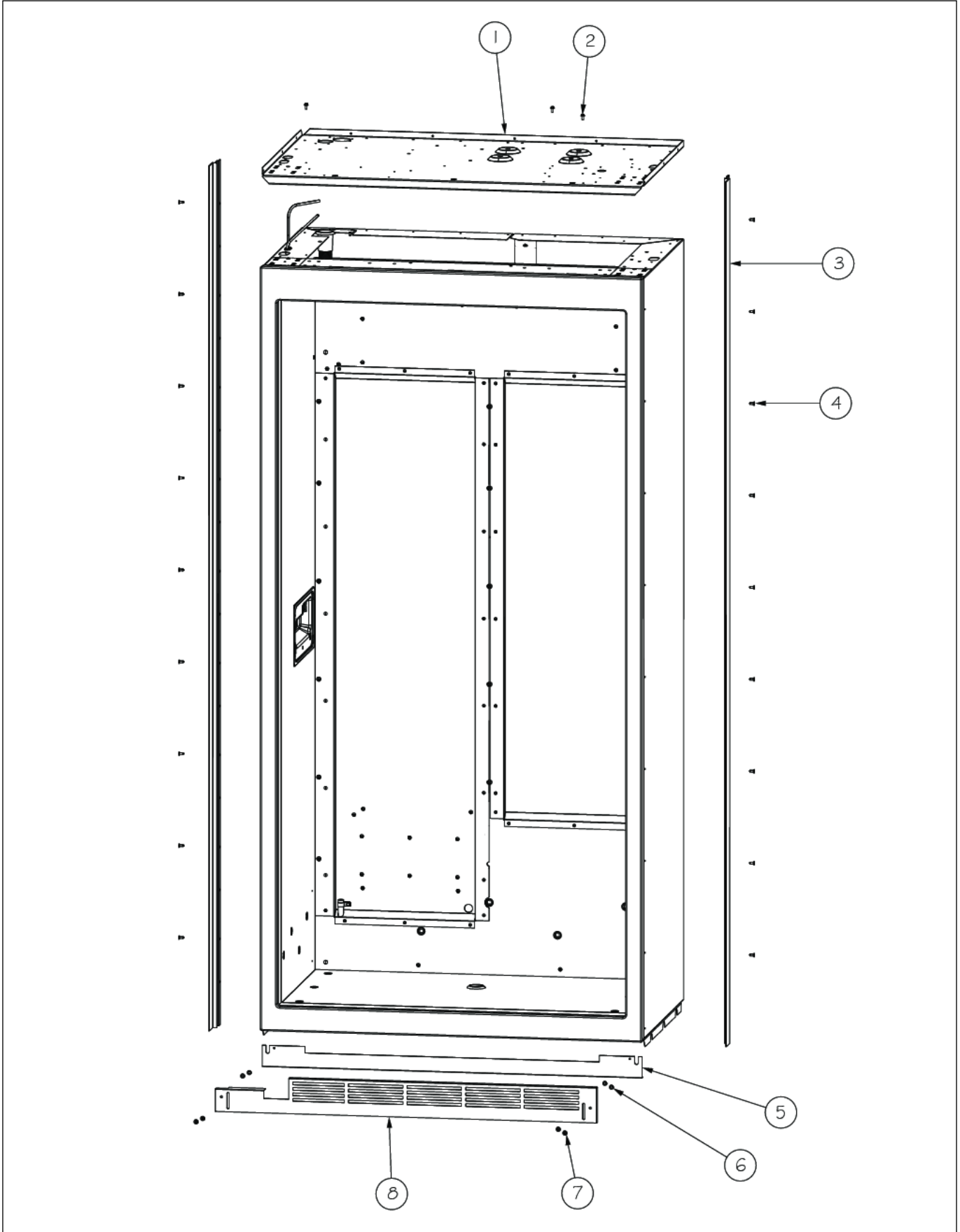
Item	Part No.	Name	Qty	Uom	NOTES
23	PE950122	SWITCH	1	EA	
24	M0238846	SCREW-SHLDR	1	EA	
25	M0224128	SCREW-SM	1	EA	
26	A4554817	BUSHING-SNAP VA4554817	2	EA	
27	M0585504	SUPPORT	6	EA	
28	A3030361	GASKET RED	1	EA	

DOOR ASSEMBLY



Item	Part No.	Name	Qty	Uom	NOTES
1	V12097404	Dairy Module Asm (BM)	2	EA	
2	036882-000	DOORBIN ASM FF 36 HALF	2	EA	
3	036884-000	DOORBIN ASM FF 36 FULL	3	EA	
4	K20915619	PAN DOOR 36	1	EA	Not available online / Call for pricing and availability
5	013327-000	BRACKET,HDL,DES	1	EA	
6	008974-000	SCREW 10 - 32 X 3/4 SLOT HEX WASHER W/ LOCTITE	4	EA	
7	013987-000	HANDLE,DESIGNER,AF/AR,SXS	1	EA	
8	PD020043	#6-32 X .750 PH. CTRSK T(F)-VGSO166	2	EA	
9	009083-000	DESIGNER HANDLE ENDCAP - NLA	2	EA	
10	013409-000	SKIN,DOOR,AFAR 36 DES LH SS	1	EA	
11	PD050019	STRIKER DOOR SWITCH	1	EA	
12	M0210458	SCR 8-18 X 5/8 WAFER PH SMS	2	EA	
13	PD920174	10X7/8 PHILLIPS SMA TRI LOBE SA	8	EA	
14	016182-000	PIVOT PL ASM LH LW PRO/DES	1	EA	
15	013700-000	2.75" DESIGNER LOGO WITH PINS	1	EA	
16	PC020279	PIVOT PL ASM LH UP PRO/DES	1	EA	
17	PD020234	SCREW THP 10-32 X .500 SS BO	1	EA	
18	005447-000	GASKET,ASM,36,AFAR VID# 602711127-17	1	EA	

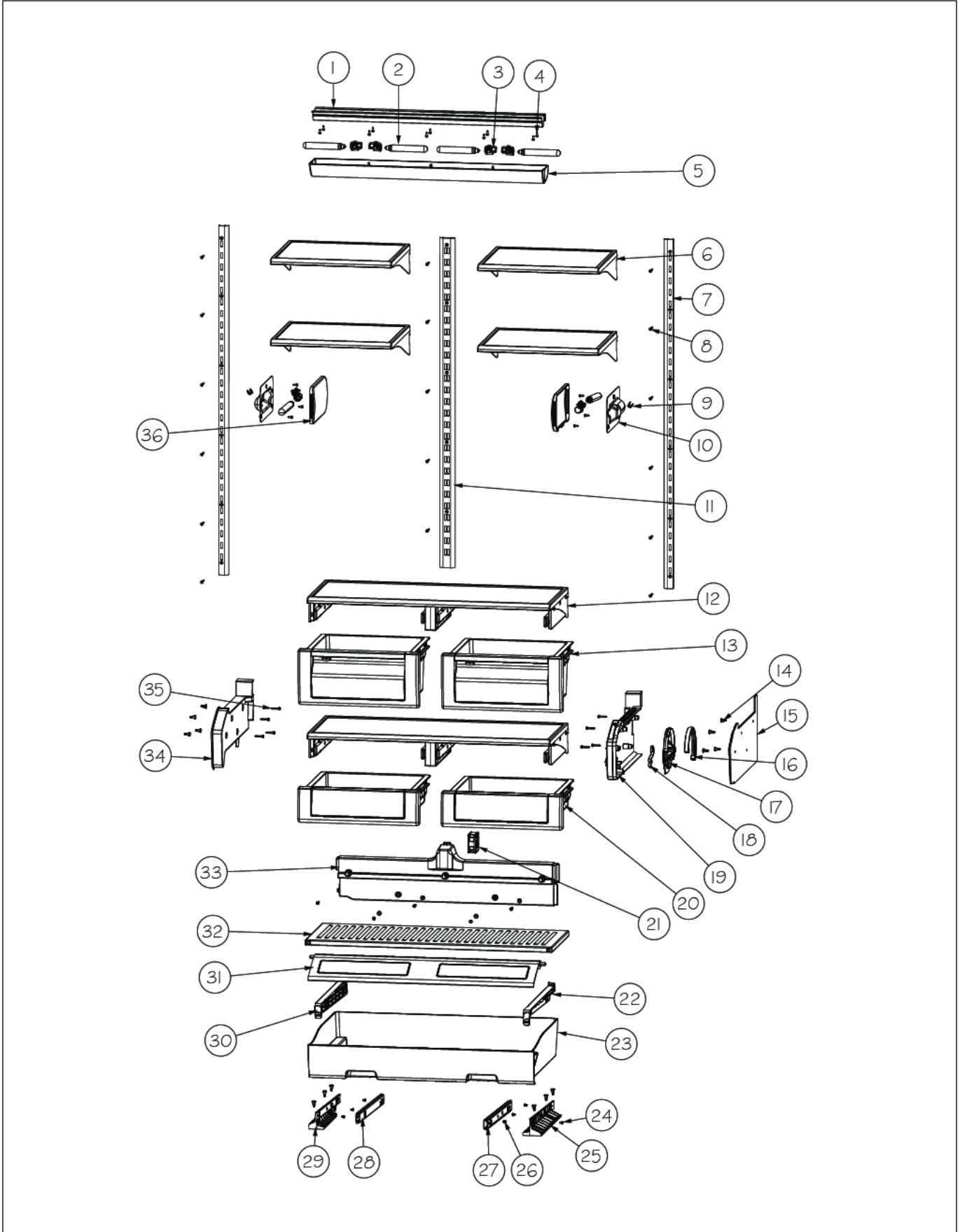
EXTERIOR ASSEMBLY





Item	Part No.	Name	Qty	Uom	NOTES
1	K2098345	OC TOP AF AR 36	1	EA	Not available online / Call for pricing and availability
2	PD020010	10 X 3/8 GREEN GROUNDING SCREW	3	EA	
3	PK920066	TRIM, EXTRU, SIDE DES	2	EA	
4	M0215318	SCREW-SM	18	EA	
5	015559-002	SOLID, TOE, GRILLE, 36 AF, AR, BM	1	EA	
6	40370P01	NYLON FLAT WASHER V40370P01	4	EA	
7	M0210443	SCREW-E SM VM0210443	4	EA	
8	015558-002	VENT, TOE, GRILLE, 36 AF, AR, R	1	EA	
NI	015557-002	VENT, TOE, GRILLE, 36 AF, AR, L	1	EA	
NI	047904-000	SS GRILLE, TOE, ASM, 36 AF, AR, R	1	EA	
<p>Comments for Part Num. 047904-000</p> <p>bradleysapplianceservice@shaw.ca on Jun 15, 2017</p> <p>047904-000 TOE GRILLE ASM 36 AF AR RH SS (STAINLESS STEEL)</p>					
NI	047907-000	GRILLE, TOE, ASM, 36 AF, AR L	1	EA	

INTERIOR ASSEMBLY





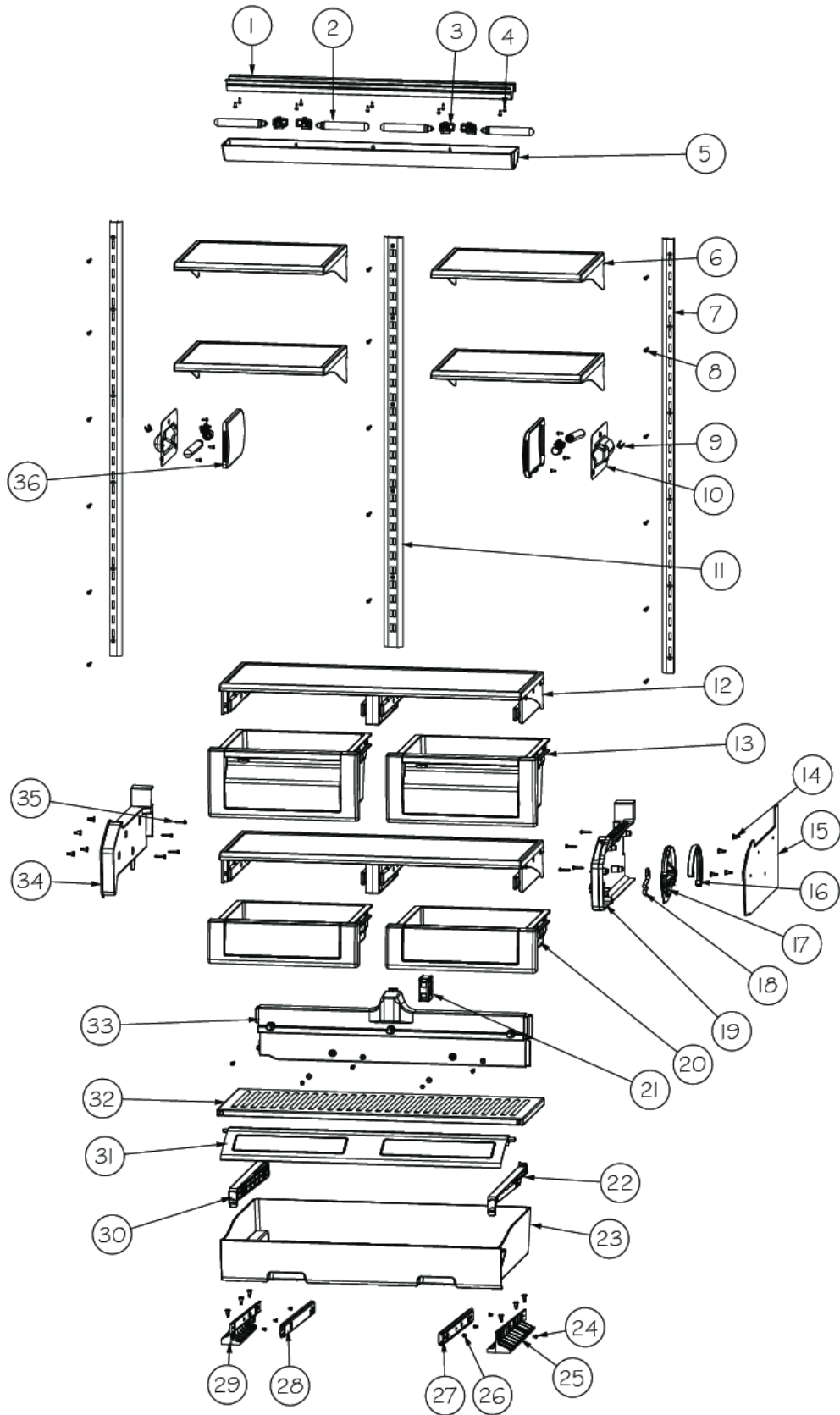
Item	Part No.	Name	Qty	Uom	NOTES
1	L20910705	BRACKET LIGHT AR 36	1	EA	
2	004528-000	LAMP, 40 WATT CLEAR LIGHT	6	EA	
3	PE950125	LIGHT SOCKET	6	EA	
4	PD020194	SCR, HEX SRTD WSHR HD, #8-18 X 1/2	18	EA	
5	020123-000	COVER LIGHT ASM AF AR BM 36	1	EA	
6	PM910351	SHELF ASM GLASS BM 36 FF	4	EA	
7	PM910280	LADDER SIDE AF 30 36	2	EA	
8	M0238535	SCREW-SM	17	EA	
9	B5733302	CLIP-GROUND	2	EA	
10	10270203	HOUSING-LIGHT V10270203	2	EA	
11	PM910284	LADDER CENTER AR 36	1	EA	
12	G50911908	SHELF & SLIDE ASM 36 AR & 36 BM	2	EA	
13	012396-000	DRAWER,PRODUCE,ASM 36 AR/BM	2	EA	
14	M0581001	GROMMET-SCREW VM0581001	18	EA	
15	PK930283	DUCT MEATSAVOR SPACER	1	EA	
16	PK930172	COVER CONTROL MEAT SAVOR	1	EA	
17	044384-000	DIAL CONTROL MEAT SAVOR	1	EA	
18	PM910334	ROLLER TENSION	1	EA	
19	044232-000	DUCT MEAT SAVOR (R)	1	EA	
20	G50912334	DRAWER DELI ASM AR 36	2	EA	
21	004551-000	AXIAL FAN	1	EA	

Comments for Part Num. 004551-000

gboltz@VikingRange.com on Jul 21, 2016

View service bulletin TR-0052-SP before ordering fan, if applicable order kit instead of fan

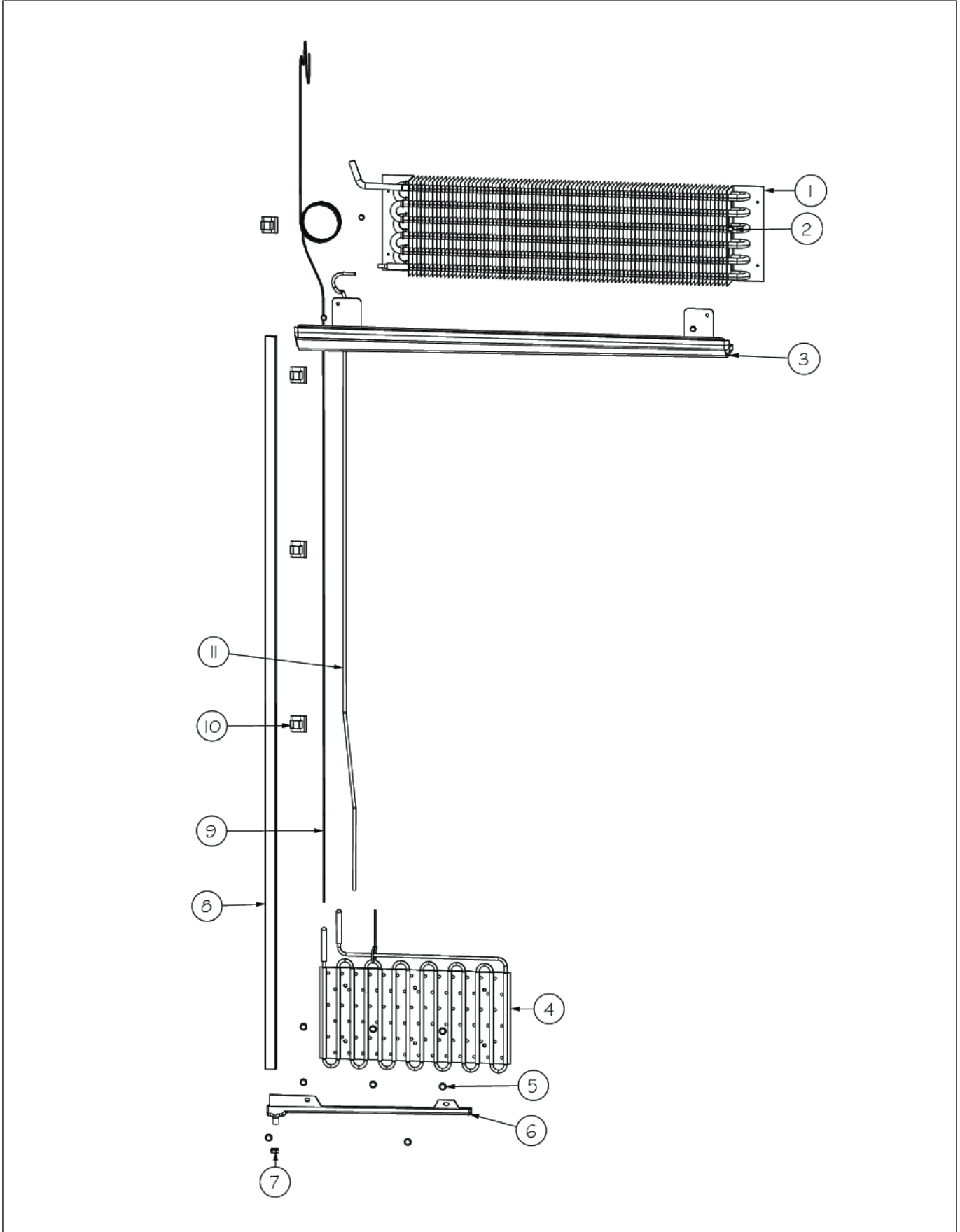
NI	020822-000	FAN RESISTOR KIT	1	EA	
Not Shown	NOTE	(BEFORE SERIAL# 110409R00010145)		EA	
22	PK930175	SUPPORT DRAWER MEAT SAVOR SXS 42/48 R	1	EA	





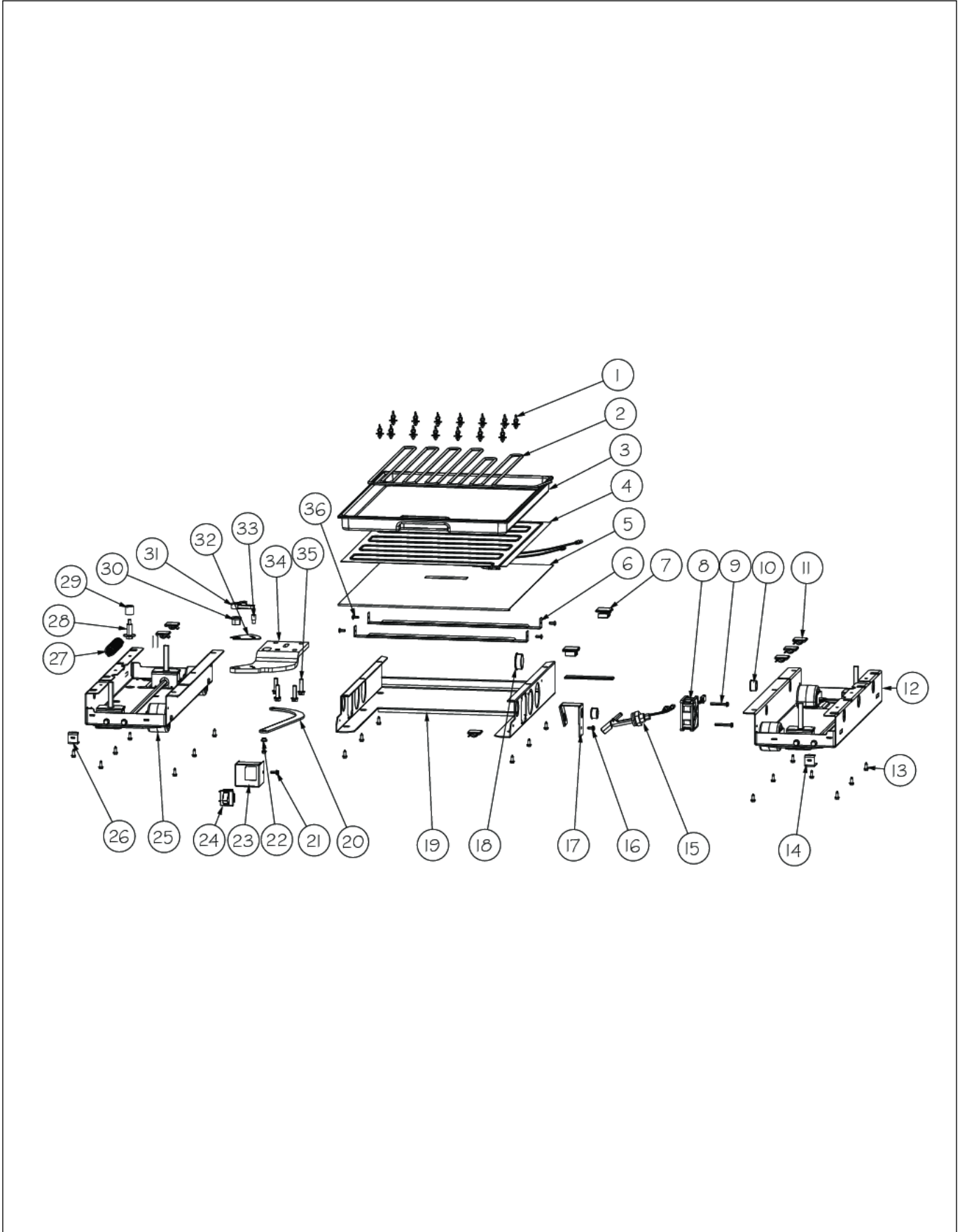
Item	Part No.	Name	Qty	Uom	NOTES
23	PK930278	DRAWER MEAT SAVOR AR BM 36	1	EA	
24	M0224128	SCREW-SM	1	EA	
25	PK930173	SUPPORT SLIDE MEAT SAVOR SXS 42/48 R	1	EA	
26	PD920162	SCR 8-16 PLASTITE PNP 1/4 S	6	EA	
27	PM910287	SLIDE MEAT SAVOR R	1	EA	
28	PM910288	SLIDE MEAT SAVOR L	1	EA	
<p>Comments for Part Num. PM910288</p> <p>profixappliances@gmail.com on May 3, 2017</p> <p>ITEM # 5 SHOULD BE PK930288-DOOR MEATSAVOR ASM AR/BM 36</p>					
29	PK930174	SUPPORT SLIDE MEAT SAVOR SXS 42/48 L	1	EA	
30	PK930176	SUPPORT DRAWER MEAT SAVOR 42/48 L	1	EA	
31	009916-000	MEAT SAVOR LID/DOOR 36AR/BM36	1	EA	
32	PK930286	SHELF MEATSAVOR AR/BM 36	1	EA	
33	PK930285	DUCT MEATSAVOR REAR AR 36	1	EA	
34	PK930284	DUCT MEATSAVOR LEFT	1	EA	
35	M0211021	SCREW-SM	11	EA	
36	PK930346	COVER LIGHT	1	EA	

LOW SIDE ASSEMBLY



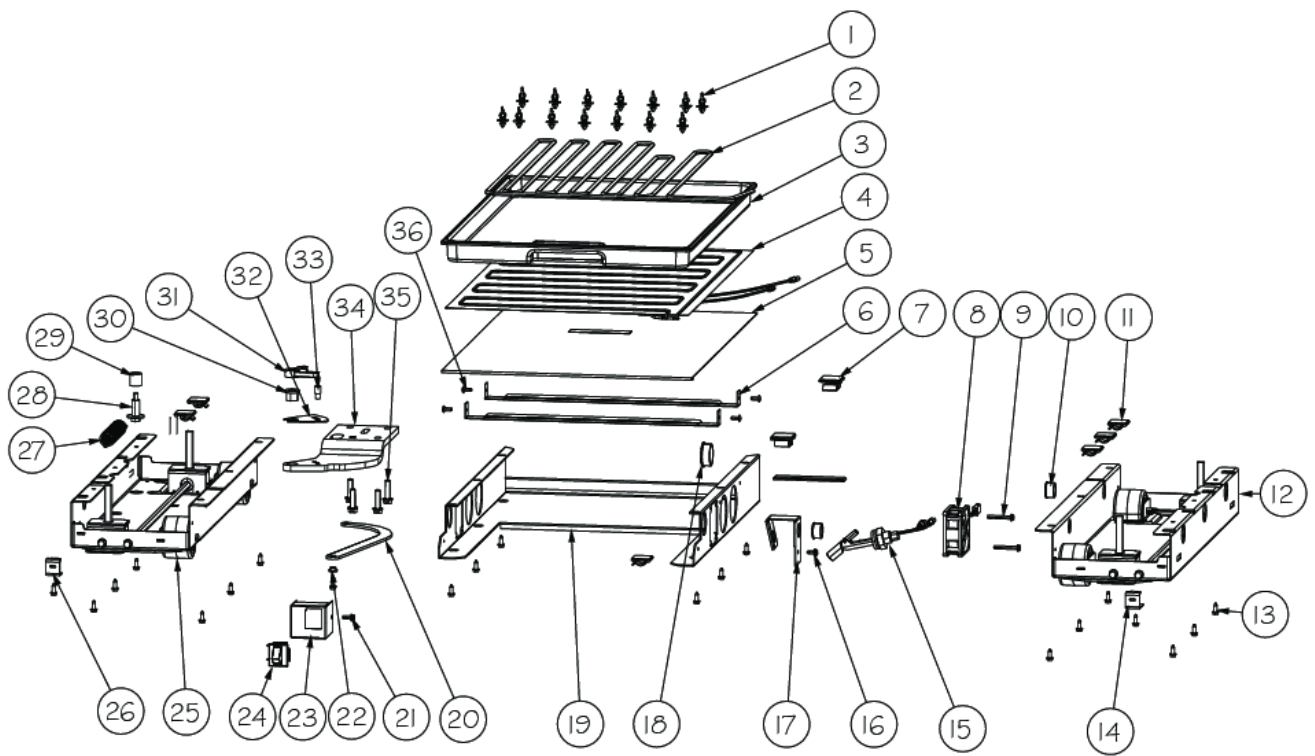
Item	Part No.	Name	Qty	Uom	NOTES
1	PM910455	EVAPORATOR AR 36	1	EA	
2	PD020194	SCR, HEX SRTD WSHR HD, #8-18 X 1/2	4	EA	
3	G50914189	DRAIN PAN ASM UPPER AR36	1	EA	
4	049987-000	MS HEAT EXCH ASM AR 36 30	1	EA	
<p>Comments for Part Num. 049987-000</p> <p>bradleysapplianceservice@shaw.ca on Sep 22, 2017 SUBS TO: 049987-000 HEAT EXCHANGER AR 30" / 36" crystal@knservice.com on Sep 22, 2017 This new aluminum h/e melts where it meets the copper tip when welding during a repair. Any recommendations to prevent this? Reply by corcoran1@cox.net on Dec 21, 2017 Try heat sink and wrap it in wet towel, use oxy-acetylene torch as opposed to map gas Reply by bradleysapplianceservice@shaw.ca on Jun 5, 2018 Yes, we have used heat paste but wet rags torn into thin strips works just as good and readily available. Reply by tim@tnrappliance.com on Dec 20, 2018 this new aluminum is crap can baerly heat it and the copper tip comes off. i now get to redo the job when i get another heat exchanger. has anyone used an apoxy to set the tubes. bradleysapplianceservice@shaw.ca on Jun 5, 2018 Use caution when brazing, must use heat sink to avoid melting the aluminum. Use heat paste or wet rags. Also be sure check ports before installing. We have had a plugged port from factory when they installed the copper ends they closed off the port internally. Can't be seen easily so use nitrogen to blow through ports to be sure they are not plugged. It would have been nice to see at least 3 more inches of copper on the ends. It's easier to cut the above tubing to size than deal with these stubby copper ports.</p>					
5	PD020032	SRW-8(A)X3/8"PH.WFR HD 7/16DIA*NICL	8	EA	
6	PK030445	PAN DRAIN LOWER EVAP AR 30 36	1	EA	
7	12115101	CLAMP-TUBE V12115101	1	EA	
8	PK030446	DRAIN VERTICAL AR 30 36	1	EA	
9	PB920246	TUBE CAPILLARY ASM AR 36 30	1	EA	
10	M0104106	CLIP-CORD VM0104106	4	EA	
11	F20913720	TUBE EVAP AR 36	1	EA	

LOWER UNIT ASSEMBLY



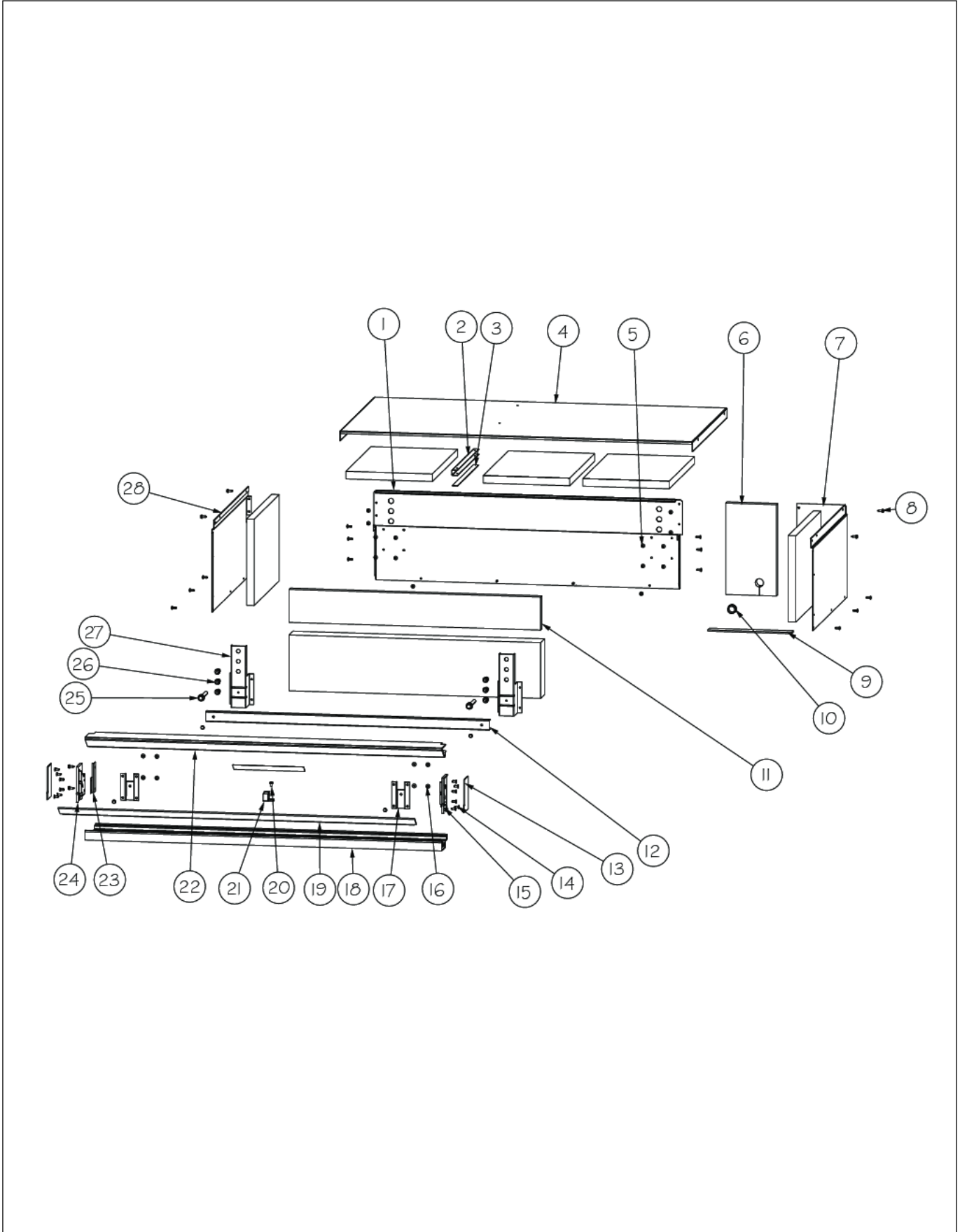


Item	Part No.	Name	Qty	Uom	NOTES
1	PD030146	STAND OFF LOCK CLIP	1	EA	
2	F20915696	SERPENTINE CONDENSER DRAIN	1	EA	
3	PK930348	PAN DRAIN	1	EA	
4	G50911853	TRAY PAN HEATER	1	EA	
5	L20914124WH	TRAY PAN HEATER	1	EA	
6	K20911831	BRACKET CONDENSATE SUPPORT	2	EA	
7	M0104102	CLIP-CORD RED	2	EA	
8	004551-000	AXIAL FAN	1	EA	
Comments for Part Num. 004551-000					
gboltz@VikingRange.com on Jul 21, 2016					
View service bulletin TR-0052-SP before ordering fan, if applicable order kit instead of fan					
9	PD020274	SCR SLTD HEX WSHR HD 8X1.250 BT	2	EA	
10	A4554806	BUSHING-SNAP VA4554806	2	EA	
11	M0104106	CLIP-CORD VM0104106	6	EA	
12	060890-000	LEVELER MODULE R	1	EA	
13	PD020194	SCR, HEX SRTD WSHR HD, #8-18 X 1/2	20	EA	
14	K2098044	BRKT GRILLE SUPPORT	1	EA	
15	PE050248	FLOAT SWITCH HORIZONTAL	1	EA	
16	M0253916	SCR 8-32 SHXW 3/8 TRI-LOBE	1	EA	
17	B20915627	BRACKET HORIZ FLOAT SWITCH	1	EA	
18	A4554817	BUSHING-SNAP VA4554817	1	EA	
19	K20915952	SHIELD BOTTOM DRAIN	1	EA	
20	PC920149	BAR-WC BOT HINGE LH	1	EA	
21	M0220417	SCREW-TC	2	EA	
22	PD940094	BUSHING	1	EA	
23	002668-000	SWITCH,GRILLE,MT,LH	1	EA	
24	PE950147	SWITCH SPST NC BLACK	1	EA	

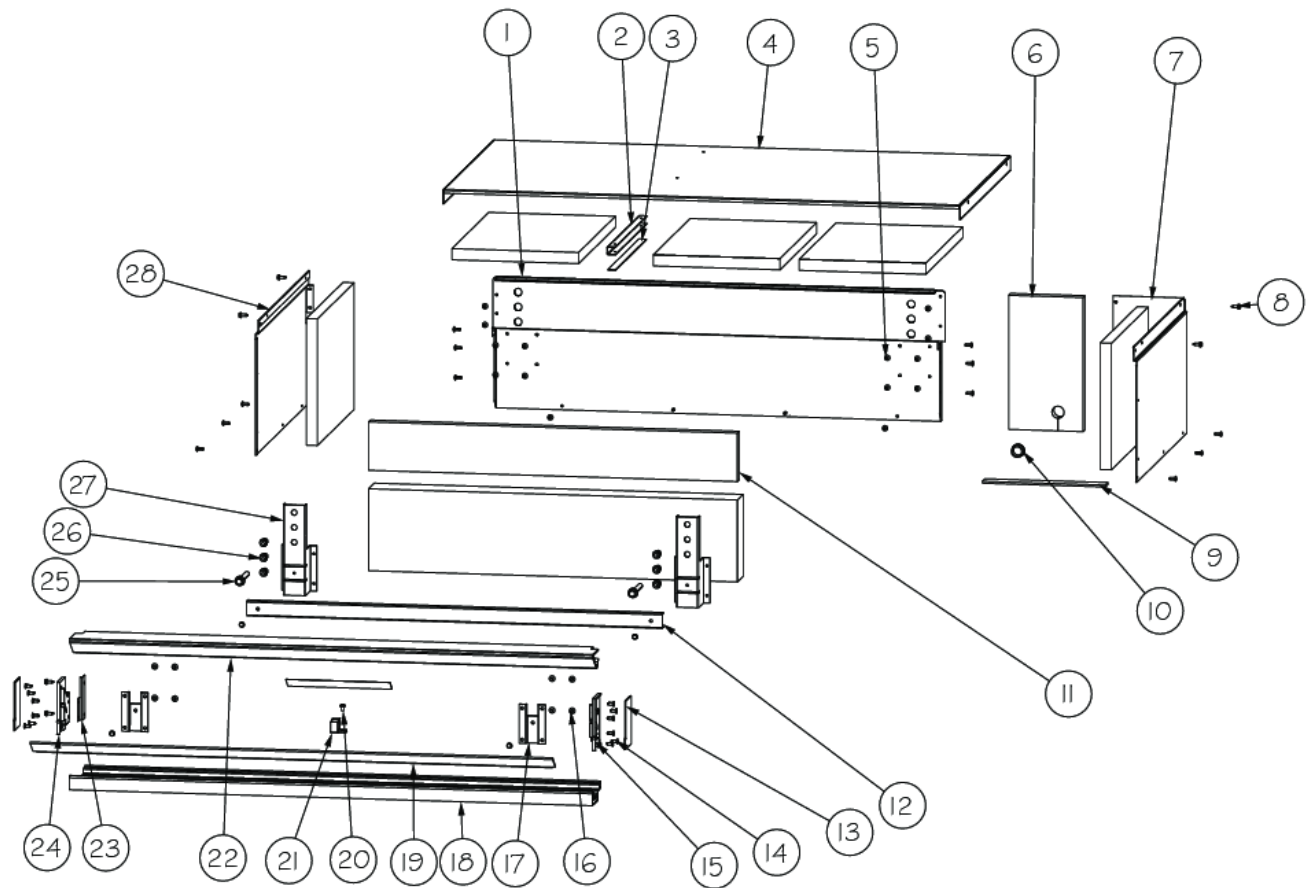


Item	Part No.	Name	Qty	Uom	NOTES
Comments for Part Num. PE950147 bradleysapplianceservice@shaw.ca on May 1, 2017 CAUTION WHEN ORDERING DOOR SWITCH. PARTS LISTINGS COULD BE INCORRECT. THERE IS TWO VERSIONS OF THIS DOOR SWITCH THAT NEEDS TO BE VISUALLY CHECKED ON UNIT TO DETERMINE CORRECT PART. PE950146 DOOR SWITCH 3 WIRE SPDT BLACK PE950147 DOOR SWITCH 2 WIRE SPST BLACK					
25	060891-000	LEVELER MODULE L	1	EA	
26	K2098096	BRKT GRILLE SUPPORT	1	EA	
27	PC910015	SPRING EXTENSION	1	EA	
28	M0221523	SCREW - SHLDR	1	EA	
29	PD940107	ROUND SPRING SPACER	1	EA	
30	PD940090	BUSHING - WC DOOR LEVEL	1	EA	
31	PD940091	BUSHING - DOOR STOP	1	EA	
32	PC920144	PLATE - WC DOOR SHIM	1	EA	
33	PC920145	PIN - DOOR STOP	1	EA	
34	PC020289	HINGE PLATE LL	1	EA	
35	000570-000	FASTENER, BOLT, 1/4-20 IHXWS 1" S ZN SER	4	EA	
36	PC040010	POP RIVET (.063/GR -.125) GAMD42-A	3	EA	

MC COVER AND UPPER GRILLE ASSEM



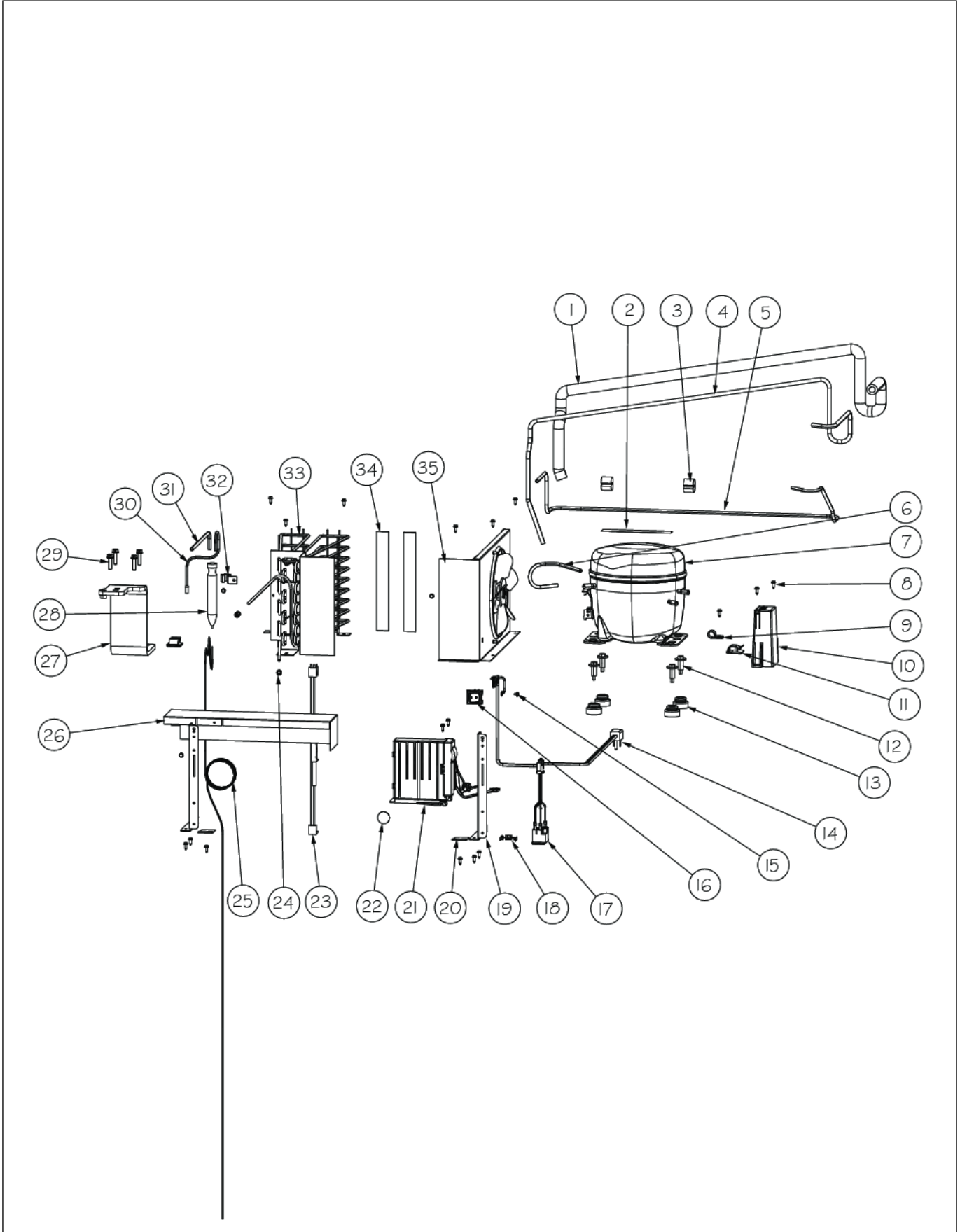
Item	Part No.	Name	Qty	Uom	NOTES
1	K2099933	MC BACK 36	1	EA	
2	K2099455	SUPPORT MC Z	1	EA	
3	G5099929	MC COVER WELD	1	EA	Not available online / Call for pricing and availability
4	K2099931	MC TOP 36	1	EA	
5	PC040010	POP RIVET (.063/GR -.125) GAMD42-A	28	EA	
6	PB970171	MC INSULATION - BACK SIDE	1	EA	Not available online / Call for pricing and availability
7	K2099459	MC SIDE (RIGHT)	1	EA	
8	PD020194	SCR, HEX SRTD WSHR HD, #8-18 X 1/2	10	EA	
9	A3189370	GASKET-FOAM VA3189370	2	EA	
10	A4554806	BUSHING-SNAP VA4554806	1	EA	
11	PB070358	INSULATION MC COVER	1	EA	
12	K20915902	CROSSMEMBER PSM 36	1	EA	
13	PM910071	COVER - END CAP 12119801	2	EA	
14	M0215318	SCREW-SM	12	EA	
15	PM910348	ENP CAP GRILLE R	1	EA	
16	M0224128	SCREW-SM	8	EA	
17	PK050004	BRACKET GRILLE 5 SERIES	2	EA	
18	PM910419	GRILLE LOUVER LOWER AF AR 36 L DES FOL	1	EA	
19	PM910429	GRILLE LOUVER MID AF AR 36 DES FOL	1	EA	
20	M0230028	SCREW-TC	1	EA	
21	PM910084	SUPPORT GRILLE 12201201	1	EA	
22	PM910418	GRILLE LOUVER UPPER AF AR 36 DES FOL	1	EA	NO LONGER AVAILABLE
23	K2099471	BRACKET GRILLE SUPPORT L	1	EA	
24	PM910349	END CAP GRILLE L	1	EA	
25	PD020233	SCR LAG 5/16-9 GX 5/16X7/16 WAF IHXW 3 S ZN	2	EA	
26	PD040157	BEARING SLEEVE	6	EA	





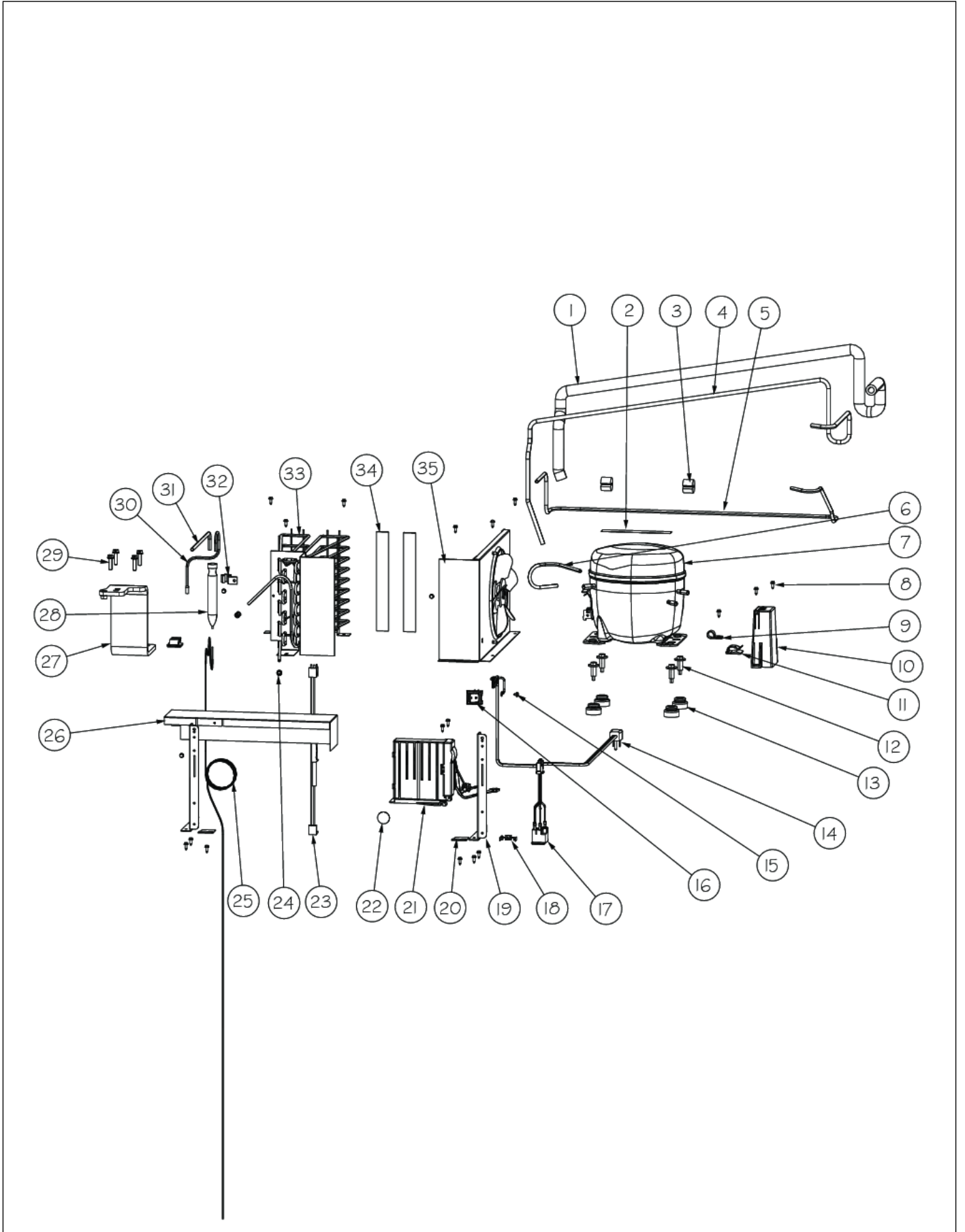
Item	Part No.	Name	Qty	Uom	NOTES
27	K20915675	BRACKET PSM	2	EA	
28	K2099460	MC SIDE L	1	EA	
NI	014639-000	GRILLE, ASM, 36 AF/AR, DES, RH	1	EA	

SEALED SYSTEM ASSEMBLY





Item	Part No.	Name	Qty	Uom	NOTES
1	PB970187	INSULATION TUBING 57.500 WC, 5 SERIES	1	EA	
2	C8982701	LABEL-COMP WARN	1	EA	
3	10699601	DAMPER-TUBING .8	2	EA	
4	F20911126	TUBE SUCTION AR 30	1	EA	
5	F20910729	TUBE DISCHARGE AF AR 30	1	EA	
6	F2096507	TUBE-PROCESS GRN	1	EA	
7	062776-000	Compressor kit	1	EA	
<p>Comments for Part Num. 062776-000</p> <p>bradleysapplianceservice@shaw.ca on Jul 23, 2018 SUBS TO: 068640-000 COMPRESSOR KIT (COMES WITH INVERTER) SEE BULLETIN: TR-0101A-SP</p>					
8	PD020194	SCR, HEX SRTD WSHR HD, #8-18 X 1/2	19	EA	
9	PD030118	INSULATED CLAMP	1	EA	
10	050894-000	ASSY, BKT, PWR SUPPLY, 24VDC, REF	1	EA	
11	M0104102	CLIP-CORD RED	2	EA	
12	M0221523	SCREW - SHLDR	4	EA	
13	10835901	GROMMET RUBBER V10835901	4	EA	
14	10916507	CORD-POWER 5 SERIES	1	EA	
15	M0211014	SCREW-SM	1	EA	Not available online / Call for pricing and availability
16	PE950149	SWITCH POWER	1	EA	
17	G50915958	ASM AR SABBATH MODE RELAY	1	EA	
18	M0327801	TAP-ELECTRO	1	EA	
19	K20912569	BRACKET GRILLE SUPPORT	2	EA	
20	K2096943	PANEL BRACKET	2	EA	
21	011666-000	INVERTER,CMPR,ASM	1	EA	





Item	Part No.	Name	Qty	Uom	NOTES
Comments for Part Num. 011666-000					
gboltz@VikingRange.com on Aug 9, 2018					
See 2018-01P Parts Bulletin					
22	PF930682	LABEL WARNING INVERTER	1	EA	
23	PE970641	JUMPER FAN RESISTOR	1	EA	
24	007407-000	RING,LOK, .187 DIA	2	EA	
25	PB920246	TUBE CAPILLARY ASM AR 36 30	1	EA	
26	K20912361	DIVERTER AIR HI SIDE 36	1	EA	Not available online / Call for pricing and availability
27	PC920194	SCREW-SM	1	EA	Not available online / Call for pricing and availability
28	PM010616	DRIER - HIGH SIDE	1	EA	
29	000570-000	FASTENER, BOLT, 1/4-20 IHXWS 1" S ZN SER	4	EA	
30	003325-000	TUBE DRIER COND	1	EA	
31	F2097740	TUBE PROCESS	1	EA	
32	10547001	CLIP-DRIER V10547001	1	EA	
33	PB920171	CONDENSER ASM	1	EA	
34	A3189370	GASKET-FOAM VA3189370	2	EA	
35	G5096494	COND. FAN ASSY	1	EA	



Appendix A:Pages Index

AIR HANDLING ASSEMBLY 1
CONTROL ASSEMBLY 2
DOOR ASSEMBLY 3
EXTERIOR ASSEMBLY 4
INTERIOR ASSEMBLY 5
LOW SIDE ASSEMBLY 6
LOWER UNIT ASSEMBLY 7
MC COVER AND UPPER GRILLE ASSEM 8
SEALED SYSTEM ASSEMBLY 9



Appendix B:Parts Index

		10699601	9
000570-000	7, 9	10835901	9
002668-000	7	10916507	9
003325-000	9	12064001	2
004528-000	5	12115101	6
004551-000	5, 7	12234001	1
005319-000	2	40370P01	4
005396-000	2	A3030361	2
005447-000	3	A3189370	8, 9
007407-000	9	A4554806	7, 8
008974-000	3	A4554817	2, 7
009083-000	3	B10914128	1
009916-000	5	B20915627	7
010497-000	2	B5642901	1
011666-000	9	B5733302	5
012396-000	5	C8982701	9
013327-000	3	C8983701	1
013409-000	3	F20910729	9
013700-000	3	F20911126	9
013987-000	3	F20913720	6
014639-000	8	F20915696	7
015557-002	4	F2096507	9
015558-002	4	F2097740	9
015559-002	4	G50911853	7
016182-000	3	G50911908	5
020123-000	5	G50912334	5
020822-000	5	G50914189	6
020900-000	1	G50915958	9
036882-000	3	G5096494	9
036884-000	3	G5099929	8
044232-000	5	K10913714	1
044384-000	5	K20910060	2
047904-000	4	K20910061	2
047907-000	4	K20911831	7
049987-000	6	K20912361	9
050894-000	9	K20912569	9
060890-000	7	K20914102	1
060891-000	7	K20914132	1
062776-000	9	K20914133	1
10270203	5	K20915000	2
10547001	9	K20915619	3



K20915675	8	PB070288	1
K20915902	8	PB070358	8
K20915952	7	PB920171	9
K2096943	9	PB920246	6, 9
K2098044	7	PB970171	8
K2098096	7	PB970187	9
K2098345	4	PC020279	3
K2098654	2	PC020289	7
K2099402	2	PC040010	2, 2, 7, 8
K2099455	8	PC910015	7
K2099459	8	PC920144	7
K2099460	8	PC920145	7
K2099471	8	PC920149	7
K2099931	8	PC920194	9
K2099933	8	PD020010	4
L20910705	5	PD020013	1, 2
L20913712WH	1	PD020032	6
L20913713	1	PD020043	3
L20913716WH	1	PD020194	1, 2, 5, 6, 7, 8, 9
L20914100	1	PD020233	8
L20914124WH	7	PD020234	3
M0104102	7, 9	PD020238	1
M0104106	2, 6, 7	PD020274	7
M0210443	4	PD030118	9
M0210458	3	PD030146	7
M0211014	1, 9	PD040150	1
M0211021	5	PD040157	8
M0215318	4, 8	PD050019	3
M0220417	7	PD920162	5
M0221523	7, 9	PD920174	3
M0224128	2, 5, 8	PD940090	7
M0230028	8	PD940091	7
M0238535	5	PD940094	7
M0238846	2	PD940107	7
M0238859	1	PE050248	7
M0253916	7	PE070728	2
M0288120	2	PE070785	2
M0327801	9	PE950122	2
M0581001	5	PE950125	5
M0585504	2	PE950147	7
M0585506	2	PE950149	9



PE950154 1
PE970464 2
PE970609 2
PE970641 9
PF930487 2
PF930682 9
PK030445 6
PK030446 6
PK030459 2
PK050004 8
PK920066 4
PK930172 5
PK930173 5
PK930174 5
PK930175 5
PK930176 5
PK930278 5
PK930283 5
PK930284 5
PK930285 5
PK930286 5
PK930346 5
PK930348 7
PM010616 9
PM910071 8
PM910084 8
PM910280 5
PM910284 5
PM910287 5
PM910288 5
PM910334 5
PM910348 8
PM910349 8
PM910351 5
PM910418 8
PM910419 8
PM910429 8
PM910455 6
V12097404 3