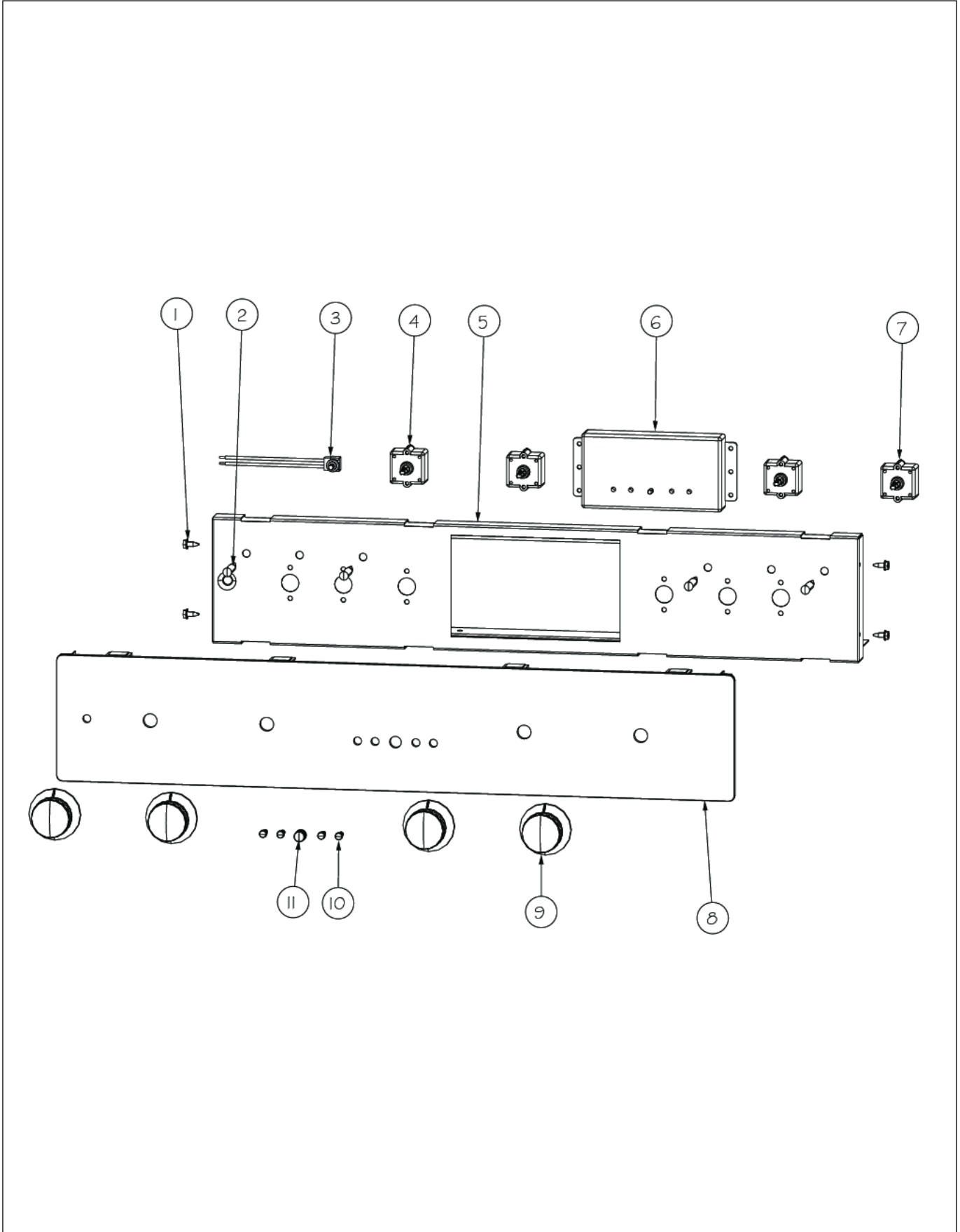


DDOE305

CONTROL AREA	1
LOWER DOOR ASSEMBLY	2
LOWER EXTERIOR AREA	3
LOWER OVEN CAVITY	4
MIDDLE EXTERIOR AREA	5
REAR UNIT AREA	6
UPPER DOOR ASSEMBLY	7
UPPER EXTERIOR AREA	8
UPPER OVEN CAVITY	9
Appendix A:Pages Index	A
Appendix B:Parts Index	B

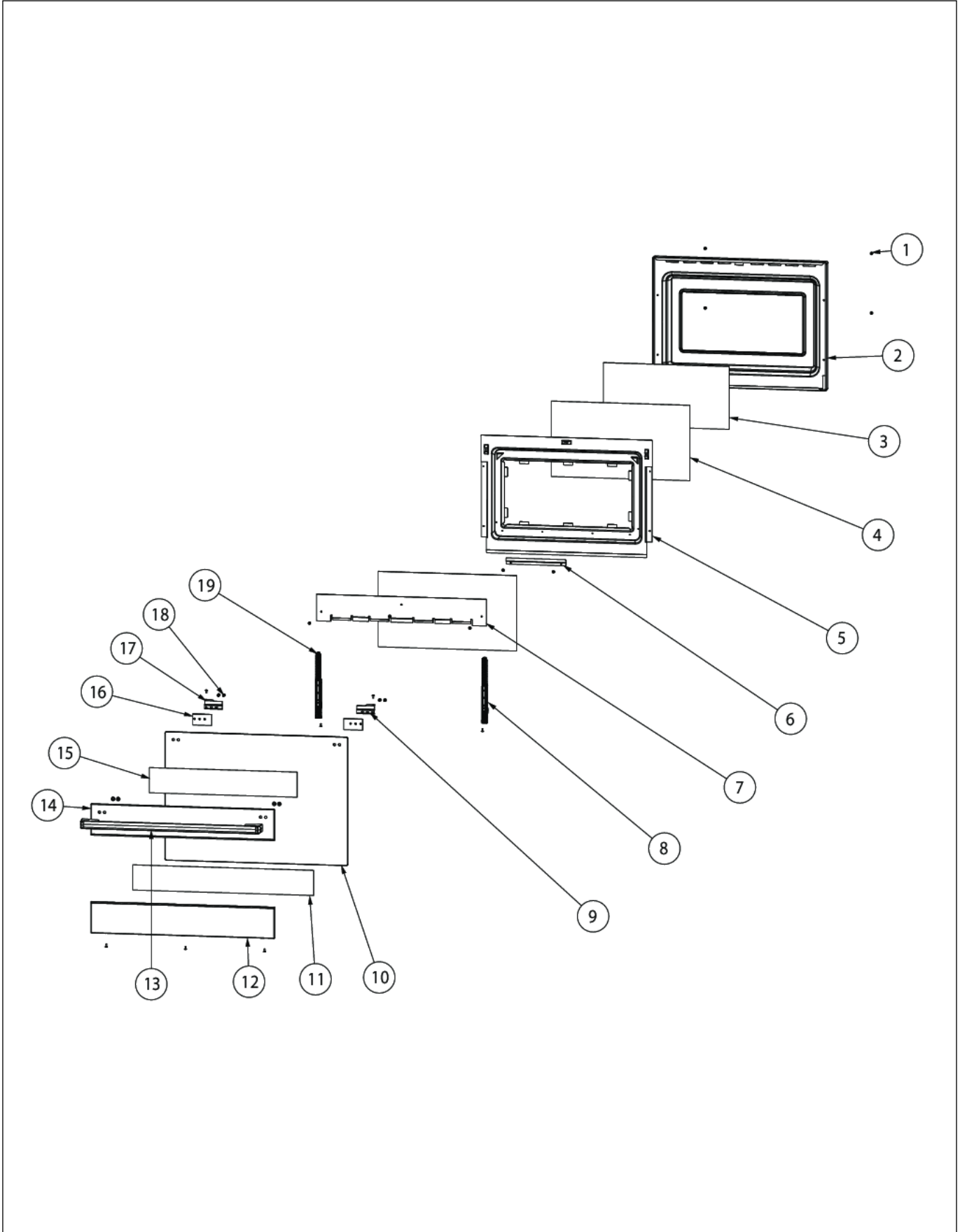
CONTROL AREA



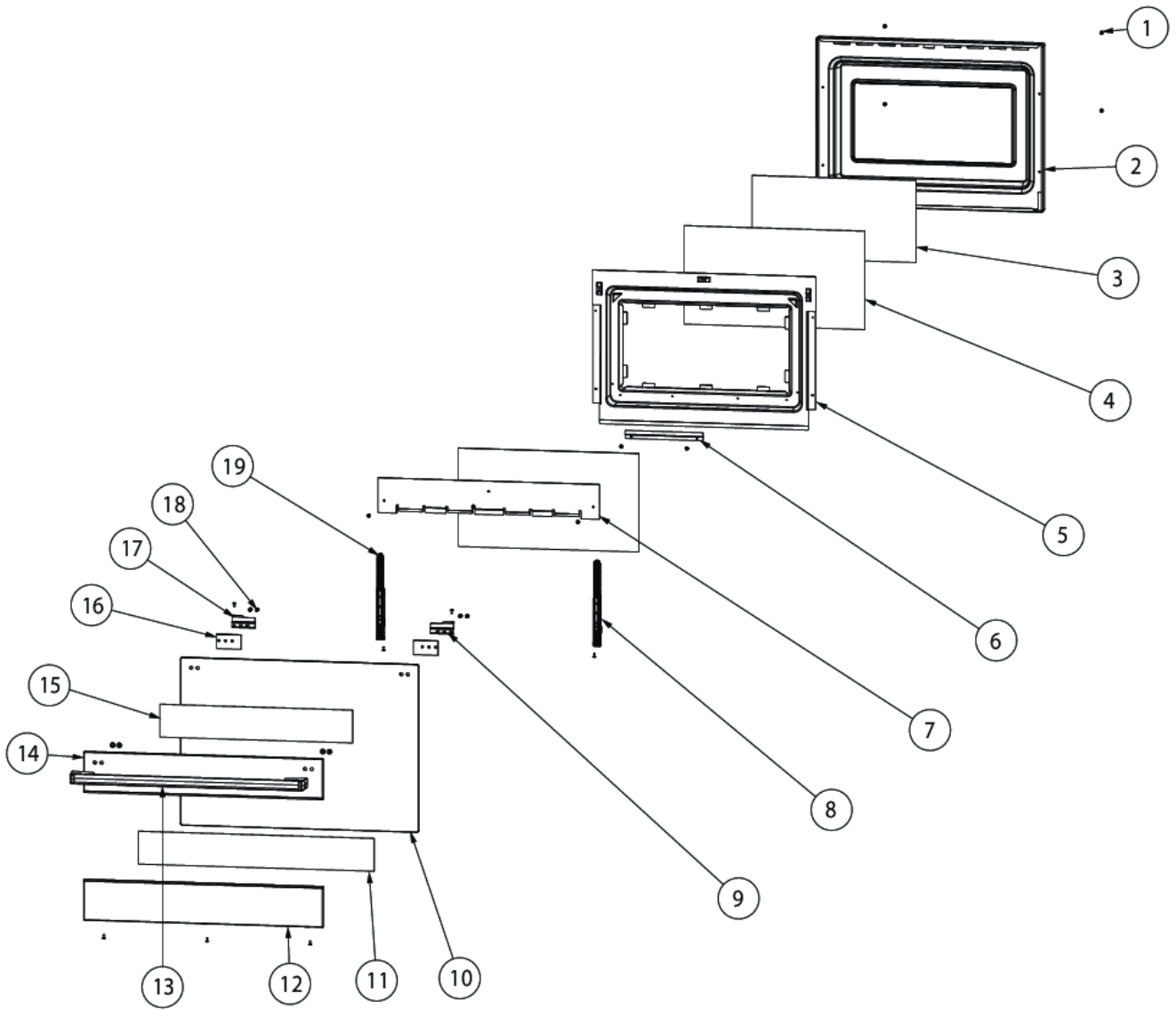


Item	Part No.	Name	Qty	Uom	NOTES
1	003860-000	FASTENER,SCR,HXWH,STL,ZP LT,10-18 x .500	4	EA	
2	015043-000	INDICATOR, LIGHT, BLUE LED	4	EA	
3	G40015469	DESIGNER OVEN LIGHT SWITCH	1	EA	
4	PJ030033	SELECTOR (10 POS)	2	EA	
5	019340-000	CONTROL MOUNT	1	EA	
6	015195-000	CLOCK, TOD2, DESIGNER (See TC-0125-SP Service Bulletin)	1	EA	
<p>Comments for Part Num. 015195-000</p> <p>gboltz@VikingRange.com on Jun 3, 2019 SEE Service Bulletin TC-0125-SP</p>					
7	PJ030035	THERMOSTAT	2	EA	
<p>Comments for Part Num. PJ030035</p> <p>parts@lvdistributes.com on Feb 7, 2018 this is not the correct part for this range it should be a 003225-000 Reply by JREXEC02@AOL.COM on Feb 27, 2018 003225-000 is an Induction Control.</p> <p>PJ030035 is the red colored thermostat for the Gas Range *****</p>					
8	014623-000	PANEL,CTRL, ASM, DDOE305	1	EA	
9	009675-000	KNOB	4	EA	
10	PB010315	CLOCK BUTTON	4	EA	
11	PB010222	CLOCK SET KNOB	1	EA	

LOWER DOOR ASSEMBLY

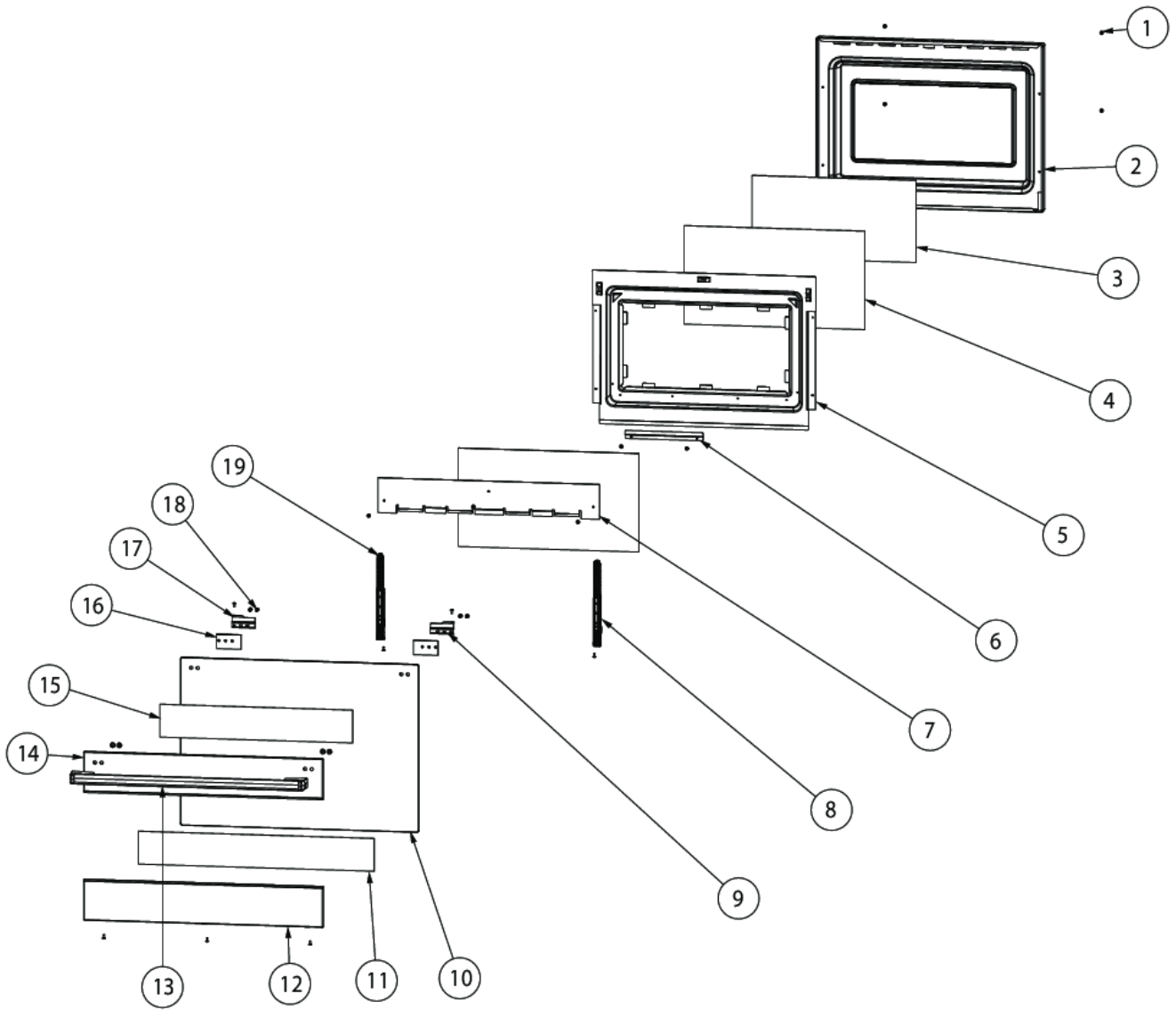


Item	Part No.	Name	Qty	Uom	NOTES
1	008863-000	SCREW #8 - 18 X 3/8, PHIL, LOW PROFILE TRUSS	15	EA	
2	013585-000	DOOR PLUG W/PORC	1	EA	
3	008949-000	INNER DOOR GLASS	1	EA	
4	008952-000	INNER DOOR GLASS	2	EA	
5	013589-000	DOOR INS RET W/PORC	1	EA	Not available online / Call for pricing and availability
6	008954-000	RETAINER, GL, BOT	1	EA	
7	008959-000	RETAINER, GL, TOP	1	EA	
8	008955-000	HINGE RH	1	EA	
9	008972-000	CLIP, GL, DOOR, RH	1	EA	
10	008971-000	SPACER, DOOR, HANDLE	1	EA	
11	014194-000	3M VHB TAPE, 4991	1	EA	
12	011640-000	LOWER DOOR SKIN, SS, W/O LOGO	1	EA	
13	009602-000	HANDLE, ASM	1	EA	
14	011639-000	UPPER DOOR PANEL, SS	1	EA	
15	014195-000	3M VHB TAPE, 4991, UPPER DOOR	1	EA	
16	008971-000	SPACER, DOOR, HANDLE	1	EA	
17	008973-000	CLIP, GL, DOOR, LH	1	EA	
18	008974-000	SCREW 10 - 32 X 3/4 SLOT HEX WASHER W/ LOCTITE	4	EA	
19	008958-000	HINGE LH	1	EA	
NI	009092-000	OUTER DOOR ASM, SS, W/O LOGO	1	EA	
NI	016855-002	OUTER DOOR ASM, W/O LOGO, BK	1	EA	
NI	016855-003	OUTER DOOR ASM, W/O LOGO, BT	1	EA	Not available online / Call for pricing and availability
NI	016855-004	OUTER DOOR ASM, W/O LOGO, SG	1	EA	Not available online / Call for pricing and availability
NI	016855-005	OUTER DOOR ASM, W/O LOGO, GG	1	EA	Not available online / Call for pricing and availability



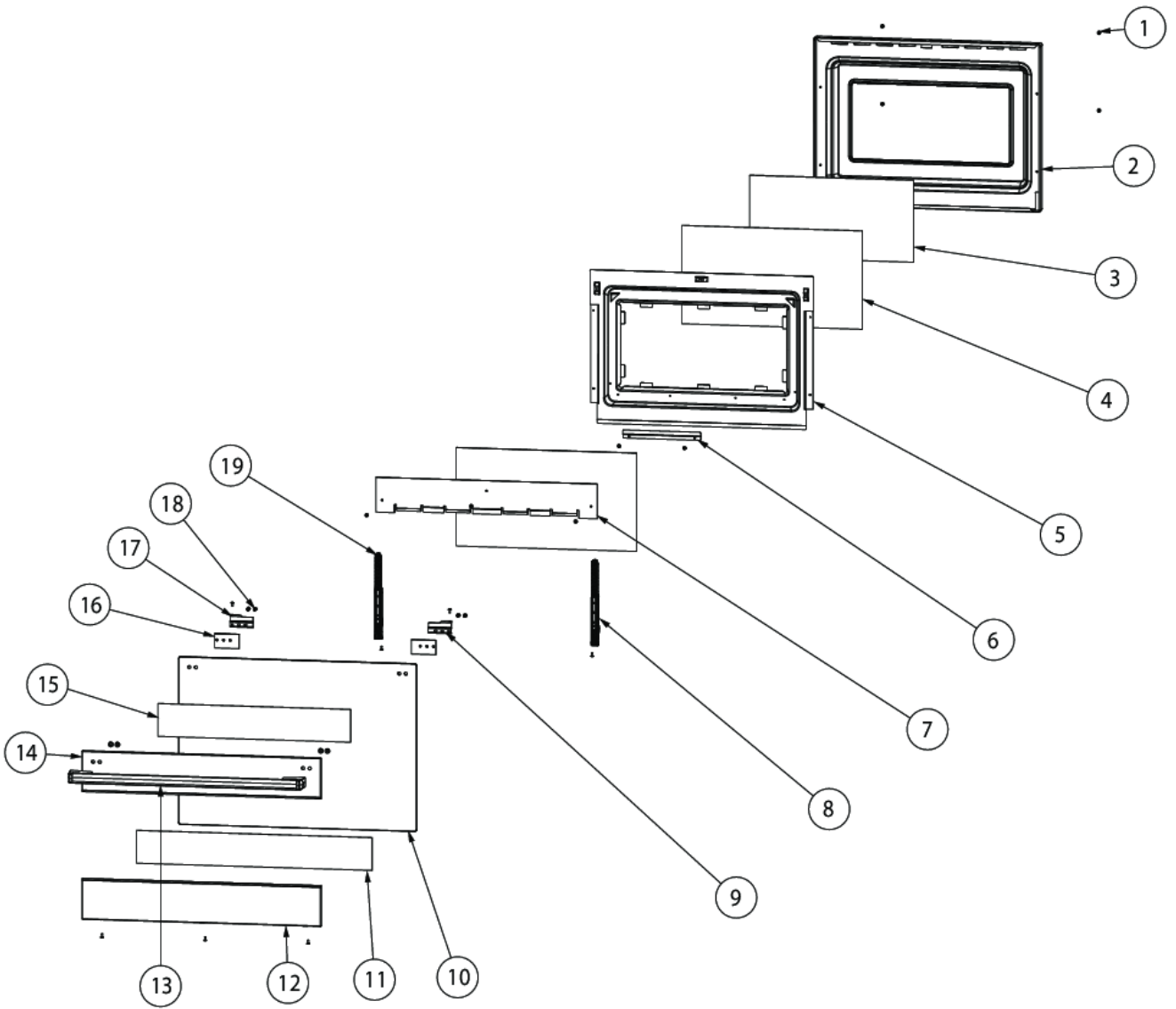


Item	Part No.	Name	Qty	Uom	NOTES
NI	016855-006	OUTER DOOR ASM, W/O LOGO, WH	1	EA	Not available online / Call for pricing and availability
NI	016855-007	OUTER DOOR ASM (AL) W/O LOGO	1	EA	Not available online / Call for pricing and availability
NI	016855-008	OUTER DOOR ASM, W/O LOGO, BU	1	EA	Not available online / Call for pricing and availability
NI	016855-009	OUTER DOOR ASM, W/O LOGO, LE	1	EA	Not available online / Call for pricing and availability
NI	016855-010	OUTER DOOR ASM, W/O LOGO, MJ	1	EA	Not available online / Call for pricing and availability
NI	016855-011	OUTER DOOR ASM (FG) W/O LOGO	1	EA	Not available online / Call for pricing and availability
NI	016855-012	OUTER DOOR ASM, W/O LOGO, VB	1	EA	Not available online / Call for pricing and availability
NI	016855-013	OUTER DOOR ASM, W/O LOGO, CB	1	EA	Not available online / Call for pricing and availability
NI	016855-014	OUTER DOOR ASM (EP) W/O LOGO	1	EA	Not available online / Call for pricing and availability
NI	016855-015	OUTER DOOR ASM, W/O LOGO, PL	1	EA	Not available online / Call for pricing and availability
NI	016855-016	OUTER DOOR ASM, W/O LOGO, CH	1	EA	Not available online / Call for pricing and availability
NI	016855-017	OUTER DOOR ASM, W/O LOGO, TP	1	EA	Not available online / Call for pricing and availability
NI	016855-018	OUTER DOOR ASM, W/O LOGO, CW	1	EA	Not available online / Call for pricing and availability



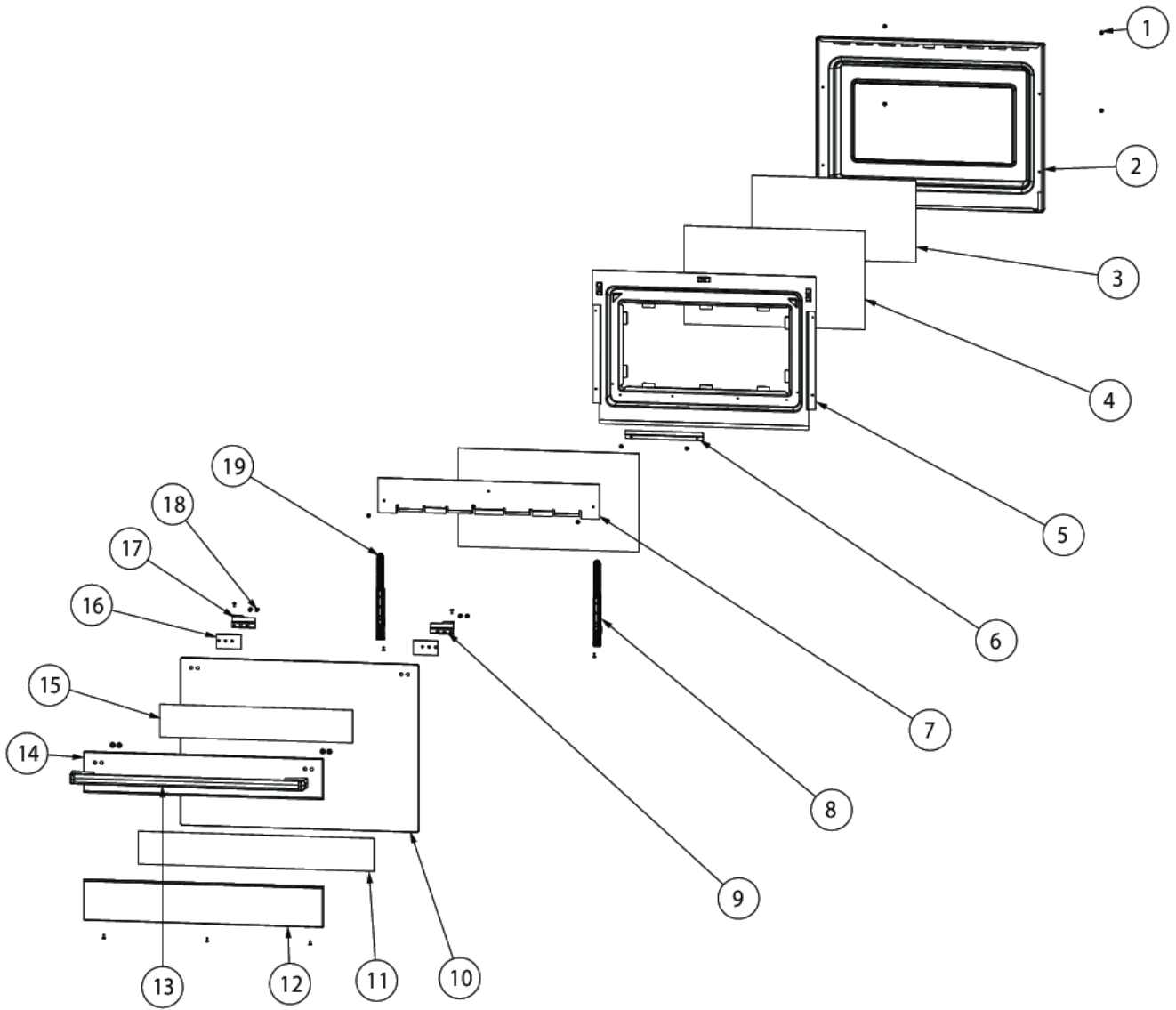


Item	Part No.	Name	Qty	Uom	NOTES
NI	016855-019	OUTER DOOR ASM, W/O LOGO, OG	1	EA	Not available online / Call for pricing and availability
NI	016855-020	OUTER DOOR ASM, W/O LOGO, GM	1	EA	Not available online / Call for pricing and availability
NI	016855-021	OUTER DOOR ASM, W/O LOGO, SA	1	EA	Not available online / Call for pricing and availability
NI	016855-022	OUTER DOOR ASM, W/O LOGO, SE	1	EA	Not available online / Call for pricing and availability
NI	016855-023	OUTER DOOR ASM, W/O LOGO, IB	1	EA	Not available online / Call for pricing and availability
NI	016855-024	OUTER DOOR ASM, W/O LOGO, AR	1	EA	Not available online / Call for pricing and availability
NI	016855-025	OUTER DOOR ASM, W/O LOGO, RR	1	EA	Not available online / Call for pricing and availability
NI	016855-026	OUTER DOOR ASM, W/O LOGO, PM	1	EA	Not available online / Call for pricing and availability
NI	016855-027	OUTER DOOR ASM, W/O LOGO, MS	1	EA	Not available online / Call for pricing and availability
NI	009093-000	DOOR ASM (SS) W/O LOGO	1	EA	
NI	016856-002	DOOR ASM, W/O LOGO, BK	1	EA	Not available online / Call for pricing and availability
NI	016856-003	DOOR ASM, W/O LOGO, BT	1	EA	Not available online / Call for pricing and availability
NI	016856-004	DOOR ASM, W/O LOGO, SG	1	EA	Not available online / Call for pricing and availability





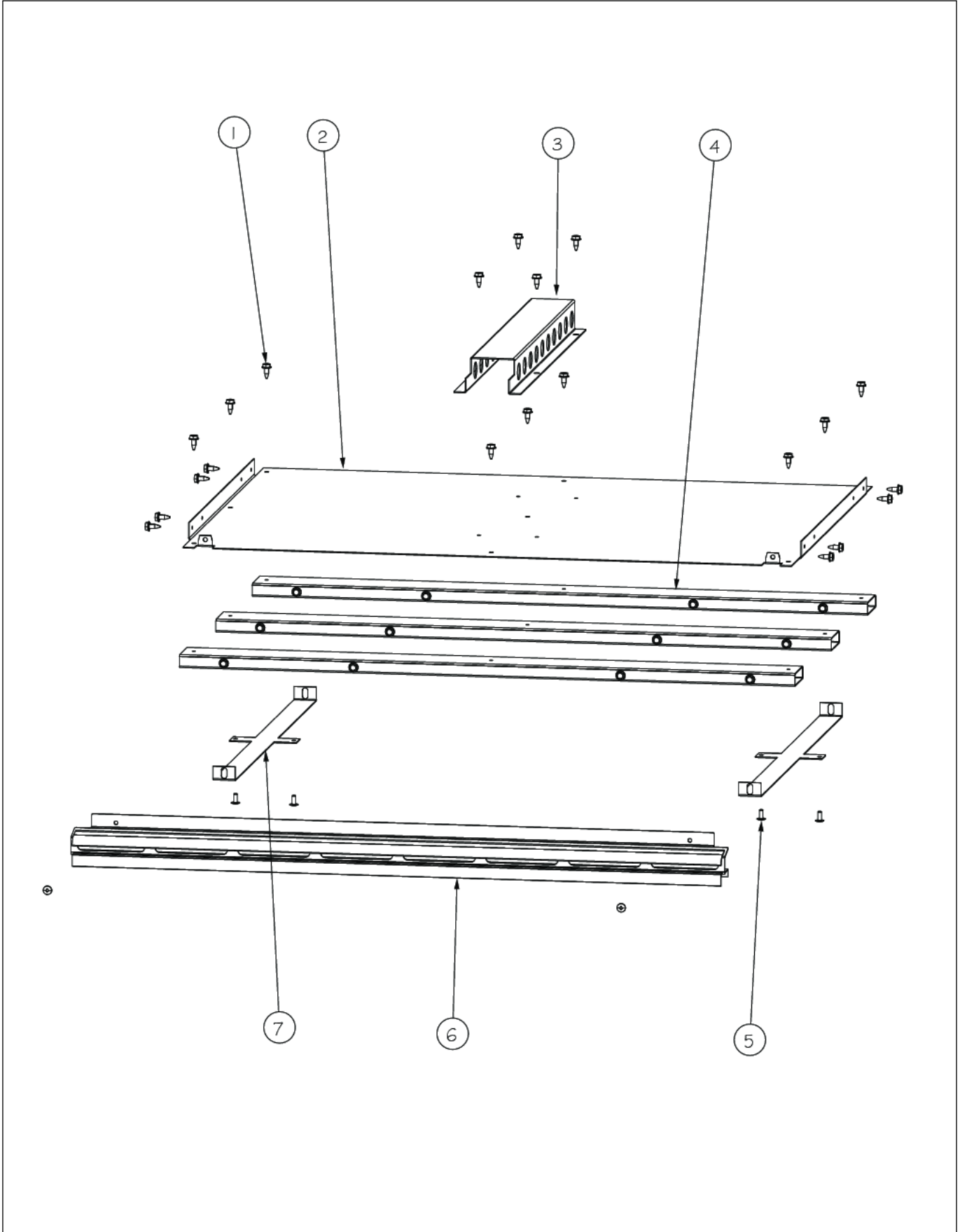
Item	Part No.	Name	Qty	Uom	NOTES
NI	016856-005	DOOR ASM, W/O LOGO, GG	1	EA	Not available online / Call for pricing and availability
NI	016856-006	DOOR ASM, W/O LOGO, WH	1	EA	
NI	016856-007	DOOR ASM (AL) W/O LOGO	1	EA	Not available online / Call for pricing and availability
NI	016856-008	DOOR ASM, W/O LOGO, BU	1	EA	Not available online / Call for pricing and availability
NI	016856-009	DOOR ASM, W/O LOGO, LE	1	EA	Not available online / Call for pricing and availability
NI	016856-010	DOOR ASM, W/O LOGO, MJ	1	EA	Not available online / Call for pricing and availability
NI	016856-011	DOOR ASM (FG) W/O LOGO	1	EA	Not available online / Call for pricing and availability
NI	016856-012	DOOR ASM, W/O LOGO, VB	1	EA	Not available online / Call for pricing and availability
NI	016856-013	DOOR ASM, W/O LOGO, CB	1	EA	Not available online / Call for pricing and availability
NI	016856-014	DOOR ASM (EP) W/O LOGO	1	EA	Not available online / Call for pricing and availability
NI	016856-015	DOOR ASM, W/O LOGO, PL	1	EA	Not available online / Call for pricing and availability
NI	016856-016	DOOR ASM, W/O LOGO, CH	1	EA	Not available online / Call for pricing and availability
NI	016856-017	DOOR ASM, W/O LOGO, TP	1	EA	Not available online / Call for pricing and availability





Item	Part No.	Name	Qty	Uom	NOTES
NI	016856-018	DOOR ASM, W/O LOGO, CW	1	EA	Not available online / Call for pricing and availability
NI	016856-019	DOOR ASM, W/O LOGO, OG	1	EA	Not available online / Call for pricing and availability
NI	016856-020	DOOR ASM, W/O LOGO, GM	1	EA	Not available online / Call for pricing and availability
NI	016856-021	DOOR ASM, W/O LOGO, SA	1	EA	Not available online / Call for pricing and availability
NI	016856-022	DOOR ASM, W/O LOGO, SE	1	EA	Not available online / Call for pricing and availability
NI	016856-023	DOOR ASM, W/O LOGO, IB	1	EA	Not available online / Call for pricing and availability
NI	016856-024	DOOR ASM, W/O LOGO, AR	1	EA	Not available online / Call for pricing and availability
NI	016856-025	DOOR ASM, W/O LOGO, RR	1	EA	Not available online / Call for pricing and availability
NI	016856-026	DOOR ASM, W/O LOGO, PM	1	EA	Not available online / Call for pricing and availability
NI	016856-027	DOOR ASM, W/O LOGO, MS	1	EA	Not available online / Call for pricing and availability

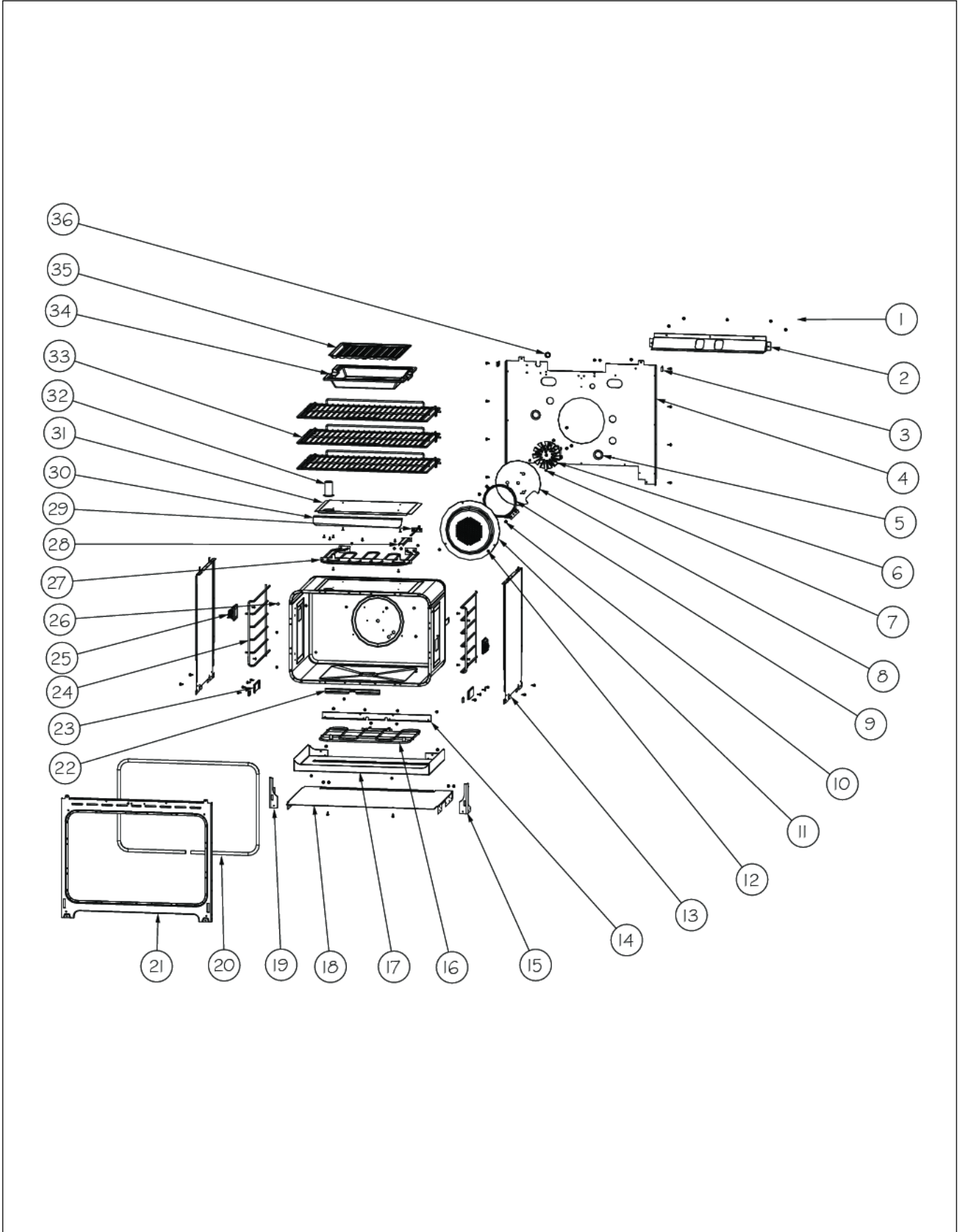
LOWER EXTERIOR AREA



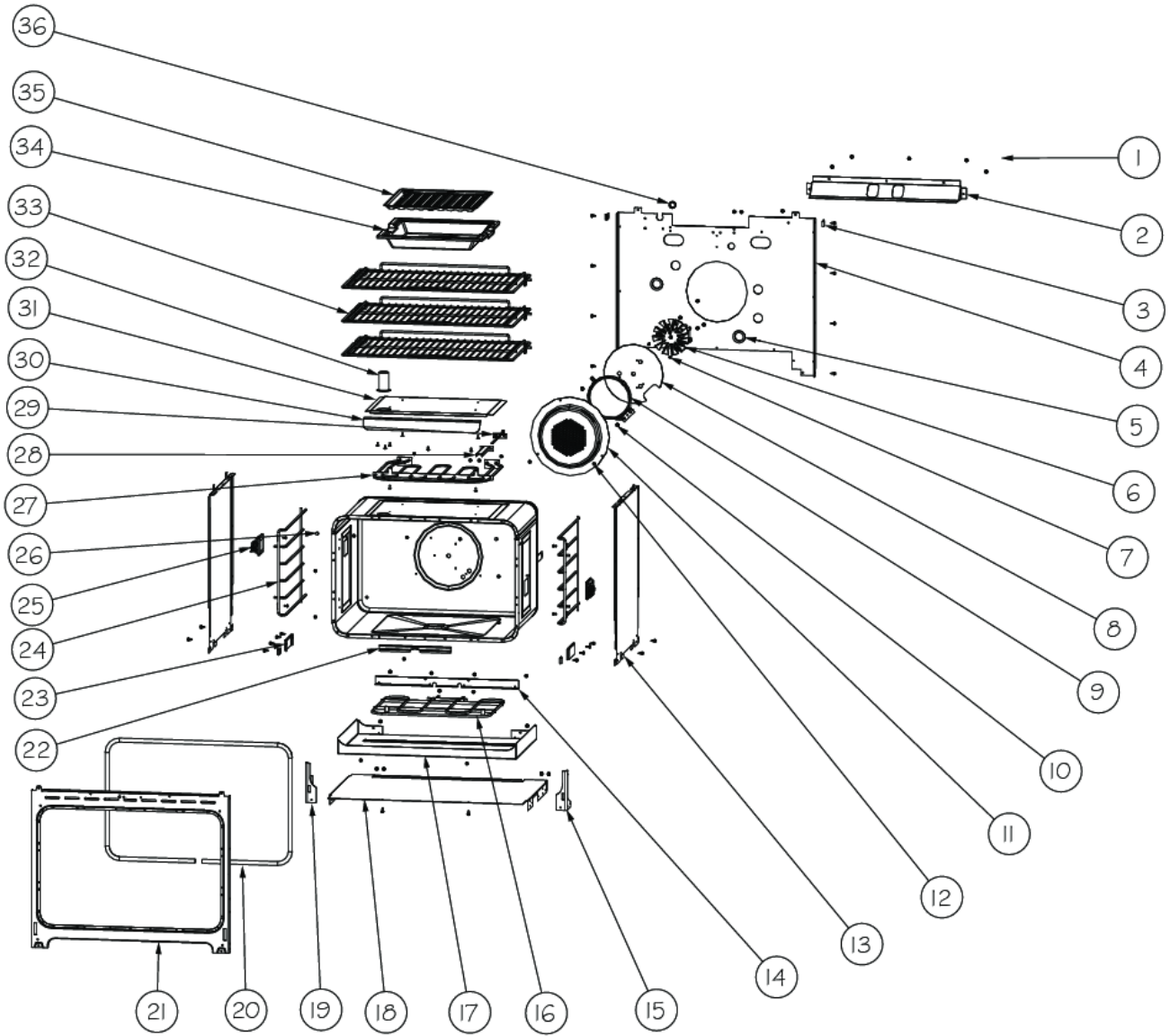


Item	Part No.	Name	Qty	Uom	NOTES
1	003860-000	FASTENER,SCR,HXWH,STL,ZP LT,10-18 x .500	21	EA	
2	008923-000	BASE COVER	1	EA	
3	014278-000	BOTTOM SUPPORT	1	EA	
4	008927-000	CROSS BRACE ASM	3	EA	
5	008863-000	SCREW #8 - 18 X 3/8, PHIL, LOW PROFILE TRUSS	6	EA	
6	009015-000	TRIM, VENT, BTM, ASM	1	EA	
7	008928-000	SLIDE, BASE	2	EA	

LOWER OVEN CAVITY



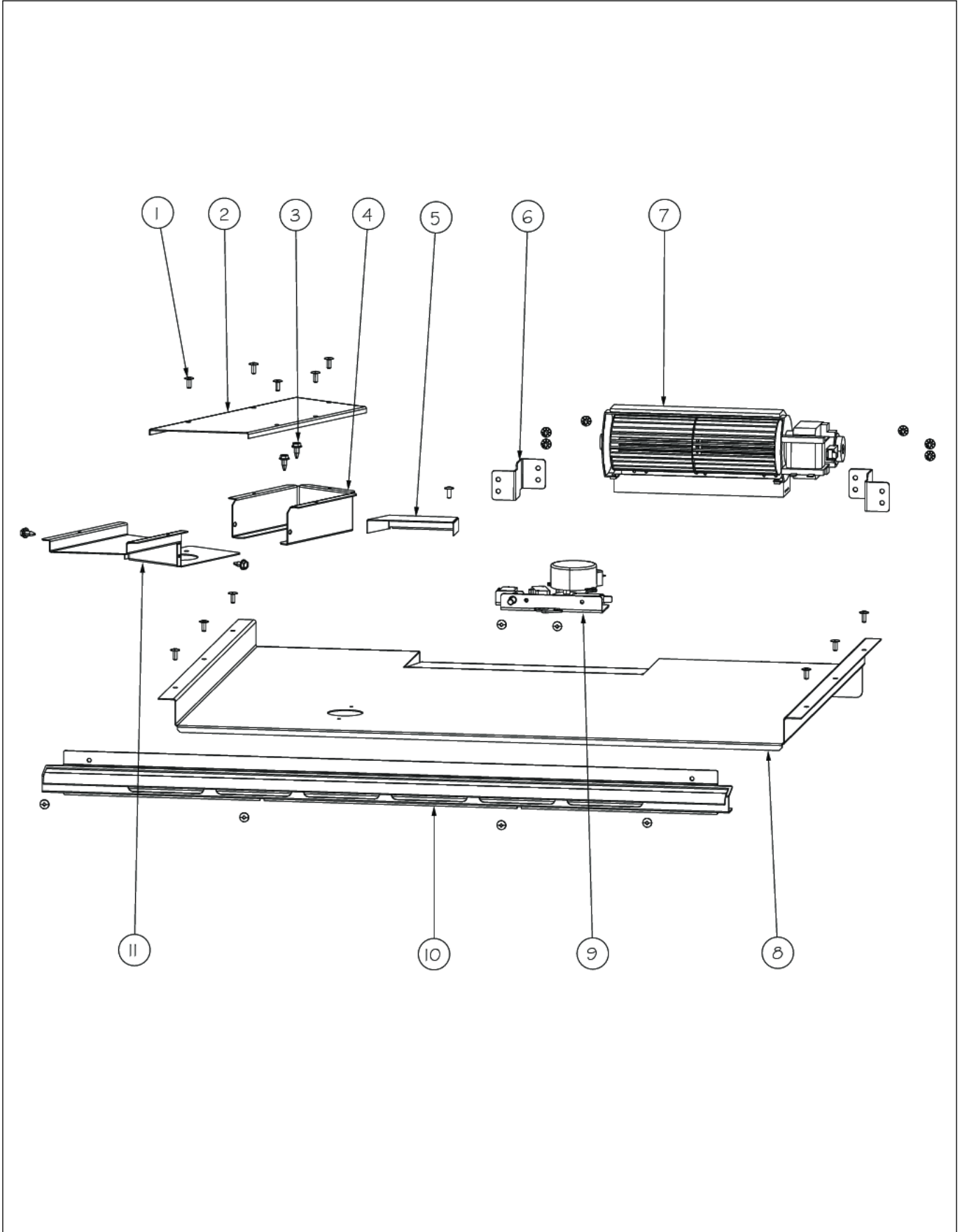
Item	Part No.	Name	Qty	Uom	NOTES
1	003860-000	FASTENER,SCR,HXWH,STL,ZP LT,10-18 x .500	46	EA	
2	008898-000	INSULATION, RTNR, BOT, BACK	1	EA	
3	013070-000	SIDE SPACER	4	EA	
4	008888-000	BACK, INS, RETAINER	1	EA	
5	PB070320	SILICONE EXTRUSION	2	EA	
6	008874-000	CONV FAN MOTOR	1	EA	
7	008877-000	CONV MOTOR MOUNT SCREW	3	EA	Not available online / Call for pricing and availability
8	008873-000	CONVECTION, FAN, INSULATION, RETAINER	1	EA	
9	008862-000	CONVECTION ELEMENT	1	EA	
10	PD020063	SCREW-#8(A) X 3/8"PH WFR HD/BK OXID	2	EA	
11	013580-000	CONV, COVER, W/PORC	1	EA	
12	008863-000	SCREW #8 - 18 X 3/8, PHIL, LOW PROFILE TRUSS	30	EA	
13	008896-000	COVER,INSL,SIDE	2	EA	
14	008855-000	COVER BAKE TRAY	1	EA	
15	008895-000	RECEIVER, HINGE, RIGHT	1	EA	
16	008854-000	BAKE ELEMENT	1	EA	
17	008857-000	BAKE ELEMENT BOX	1	EA	
18	008894-000	RECEIVER, HINGE, LEFT	1	EA	
19	008889-000	BOTTOM, INSULATION, RTNR	1	EA	
20	009007-000	DOOR GASKET	1	EA	
21	013505-000	FRONT FRAME W/PORC	1	EA	
22	009005-000	GASKET CLIP	1	EA	
23	013740-000	COVER, SIDE, DESIGNER	2	EA	Not available online / Call for pricing and availability
24	008866-000	RACK SUPPORT W/ PORC	1	EA	
25	020403-000	BJB SLIMLINE 40W BULB	2	EA	
26	008864-000	SILICONE BUMPER	2	EA	
27	008871-000	BROIL ELEMENT	1	EA	





Item	Part No.	Name	Qty	Uom	NOTES
28	008872-000	OVEN, SNSR, COVER	1	EA	
29	008870-000	RTD	1	EA	
30	013753-000	DEFLECTOR, BRL	1	EA	
31	008867-000	BROIL, REFLECTOR, PLATE	1	EA	
32	008868-000	SMOKE ELIMINATOR	1	EA	
33	013646-000	RACK, OVEN, DESIGNER, 30	3	EA	
34	014923-000	PAN, BROILER, BLUE PORCELAIN	1	EA	
35	014924-000	INSERT, BROILER PAN, BLUE PORCELAIN	1	EA	Not available online / Call for pricing and availability
36	PD040005	SNAP BUSHING, 7/8"	1	EA	

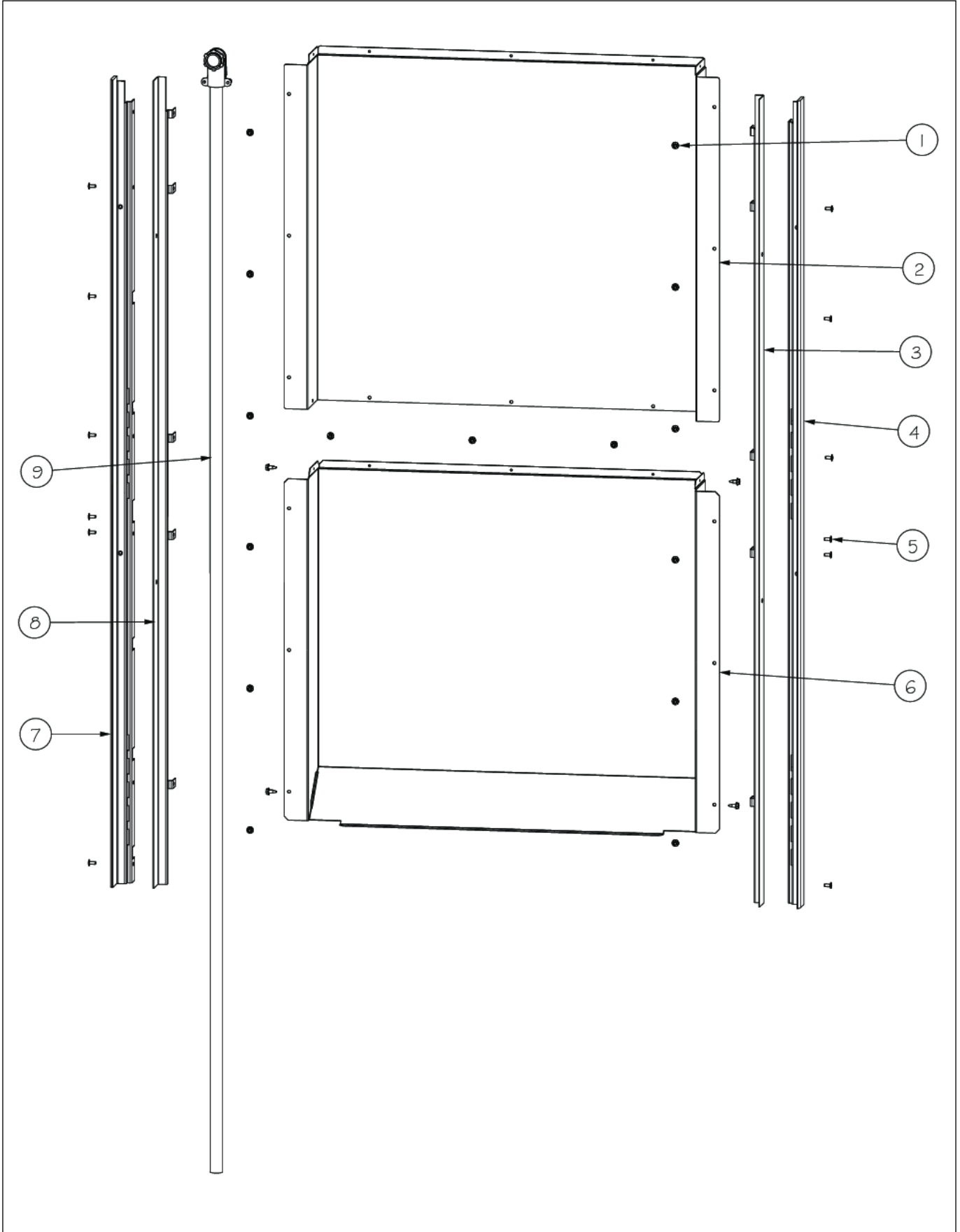
MIDDLE EXTERIOR AREA





Item	Part No.	Name	Qty	Uom	NOTES
1	008863-000	SCREW #8 - 18 X 3/8, PHIL, LOW PROFILE TRUSS	18	EA	
2	008913-000	VENT, OVEN, TOP	1	EA	
3	003860-000	FASTENER,SCR,HXWH,STL,ZP LT,10-18 x .500	10	EA	
4	008912-000	VENT, BOX, SIDE	1	EA	
5	008914-000	TRIM, VENT, SEAL	1	EA	
6	008899-000	FAN, MTG, BRKT	2	EA	
7	PE050250	Blower	1	EA	
<p>Comments for Part Num. PE050250</p> <p>highendappsvc@gmail.com on Jan 28, 2019</p> <p>If you need to replace cooling fan for the model vgsc5486gss serial date code 031412, do not order this fan, this fan is larger and configured wrong. The correct fan is 007794-000. it is smaller.</p>					
8	008901-000	RETAINER, INSL, TOP	1	EA	
9	035630-000	LATCH, ELEC, DOOR ASSY	1	EA	
10	015829-000	MID VENT ASM	1	EA	
11	008902-000	VENT, BOX, BOT	1	EA	

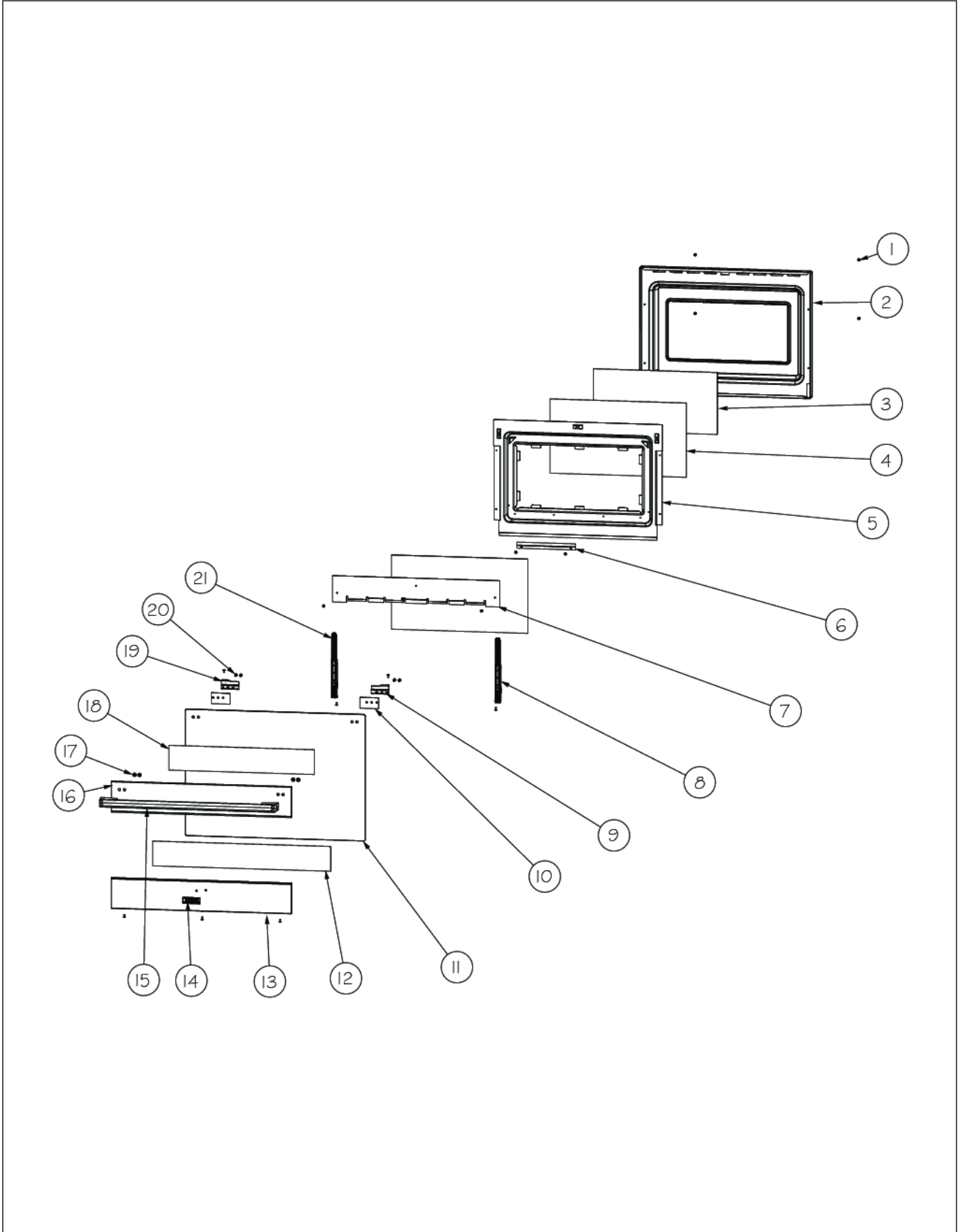
REAR UNIT AREA





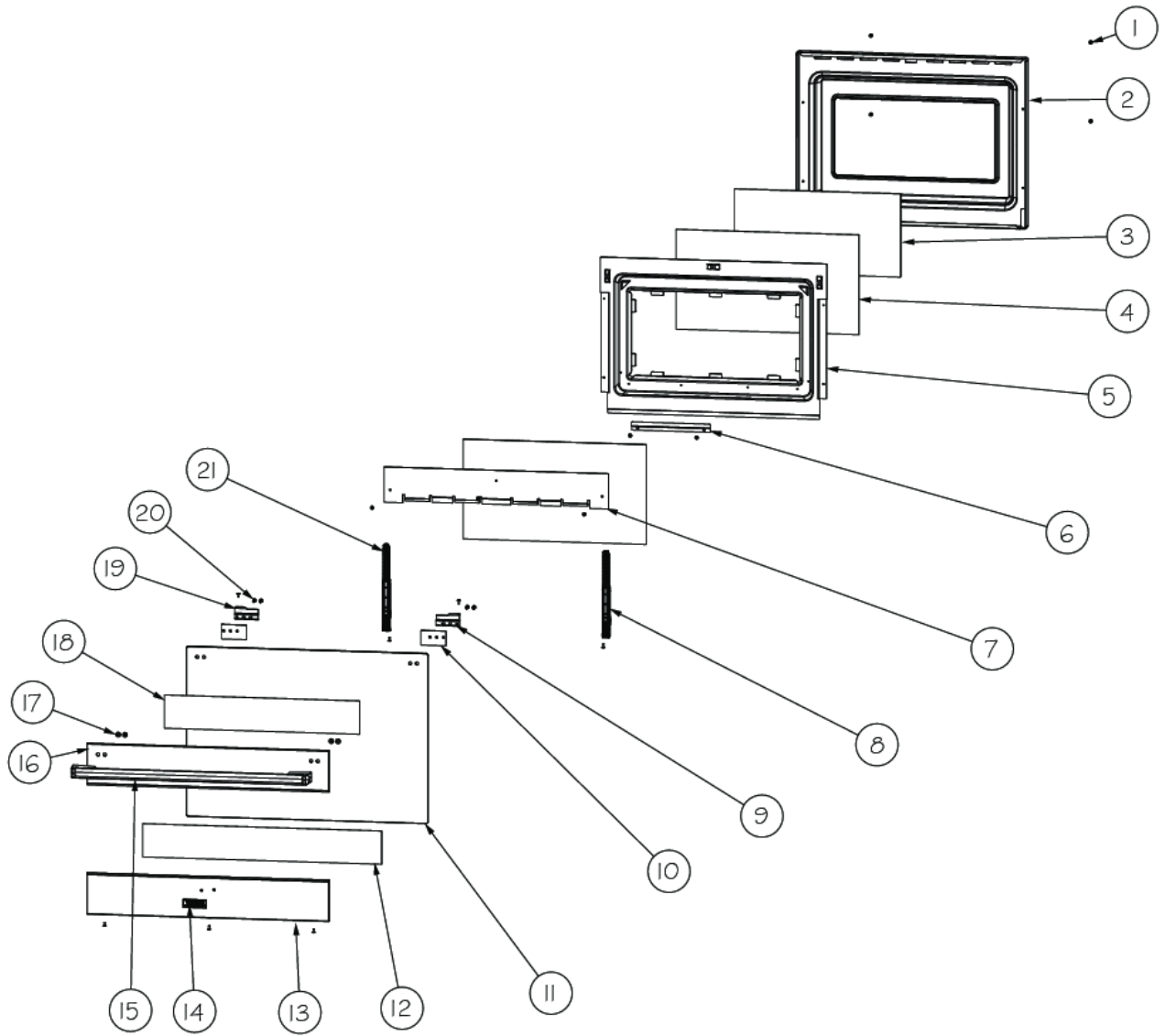
Item	Part No.	Name	Qty	Uom	NOTES
1	003860-000	FASTENER,SCR,HXWH,STL,ZP LT,10-18 x .500	19	EA	
2	009008-000	COVER, BACK, NON-REF	1	EA	Not available online / Call for pricing and availability
3	009608-000	TRIM,SIDE,RIGHT	1	EA	
4	011323-000	DOUBLE RH SIDE TRIM EXTRUSION	1	EA	
5	008863-000	SCREW #8 - 18 X 3/8, PHIL, LOW PROFILE TRUSS	12	EA	
6	009009-000	COVER, BACK, LWR, NON-REF	1	EA	Not available online / Call for pricing and availability
7	011324-000	DOUBLE LH SIDE TRIM EXTRUSION	1	EA	
8	009607-000	TRIM,SIDE,LEFT	1	EA	Not available online / Call for pricing and availability
9	040197-000	CONDUIT, ELECTRICAL CORD, 70"	1	EA	

UPPER DOOR ASSEMBLY



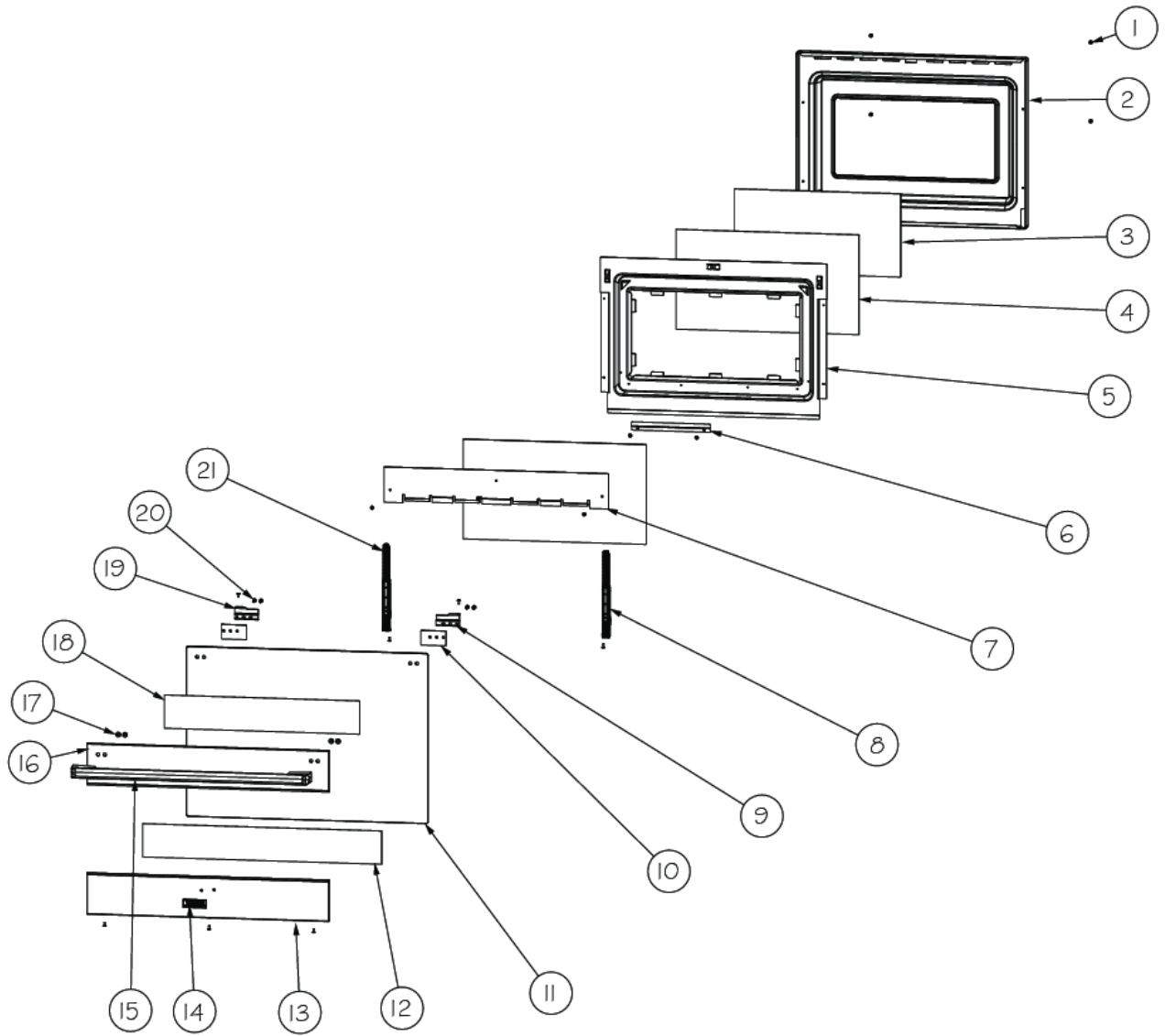


Item	Part No.	Name	Qty	Uom	NOTES
1	008863-000	SCREW #8 - 18 X 3/8, PHIL, LOW PROFILE TRUSS	12	EA	
2	013585-000	DOOR PLUG W/PORC	1	EA	
3	008949-000	INNER DOOR GLASS	1	EA	
4	008952-000	INNER DOOR GLASS	2	EA	
5	013589-000	DOOR INS RET W/PORC	1	EA	Not available online / Call for pricing and availability
6	008954-000	RETAINER, GL, BOT	1	EA	
7	008959-000	RETAINER, GL, TOP	1	EA	
8	008955-000	HINGE RH	1	EA	
9	008972-000	CLIP, GL, DOOR, RH	1	EA	
10	008971-000	SPACER, DOOR, HANDLE	2	EA	
11	009078-000	OUTER DOOR DECORATIVE GLASS	1	EA	
12	014194-000	3M VHB TAPE, 4991	1	EA	
13	014188-000	LOWER PANEL,DOOR, SS, W/LOGO	1	EA	
14	013700-000	2.75" DESIGNER LOGO WITH PINS	1	EA	
15	009602-000	HANDLE, ASM	1	EA	
16	011639-000	UPPER DOOR PANEL, SS	1	EA	
17	N/A	SCREW (INCLUDED WITH HANDLE ASSY)	4	EA	
18	014195-000	3M VHB TAPE, 4991, UPPER DOOR	1	EA	
19	008973-000	CLIP, GL, DOOR, LH	1	EA	
20	008974-000	SCREW 10 - 32 X 3/4 SLOT HEX WASHER W/ LOCTITE	4	EA	
21	008958-000	HINGE LH	1	EA	
NI	014219-000	OUTER DOOR ASM, SS, W/LOGO	1	EA	
NI	016854-002	OUTER DOOR ASM, W/LOGO, BK	1	EA	
NI	016854-003	OUTER DOOR ASM, W/LOGO, BT	1	EA	Not available online / Call for pricing and availability



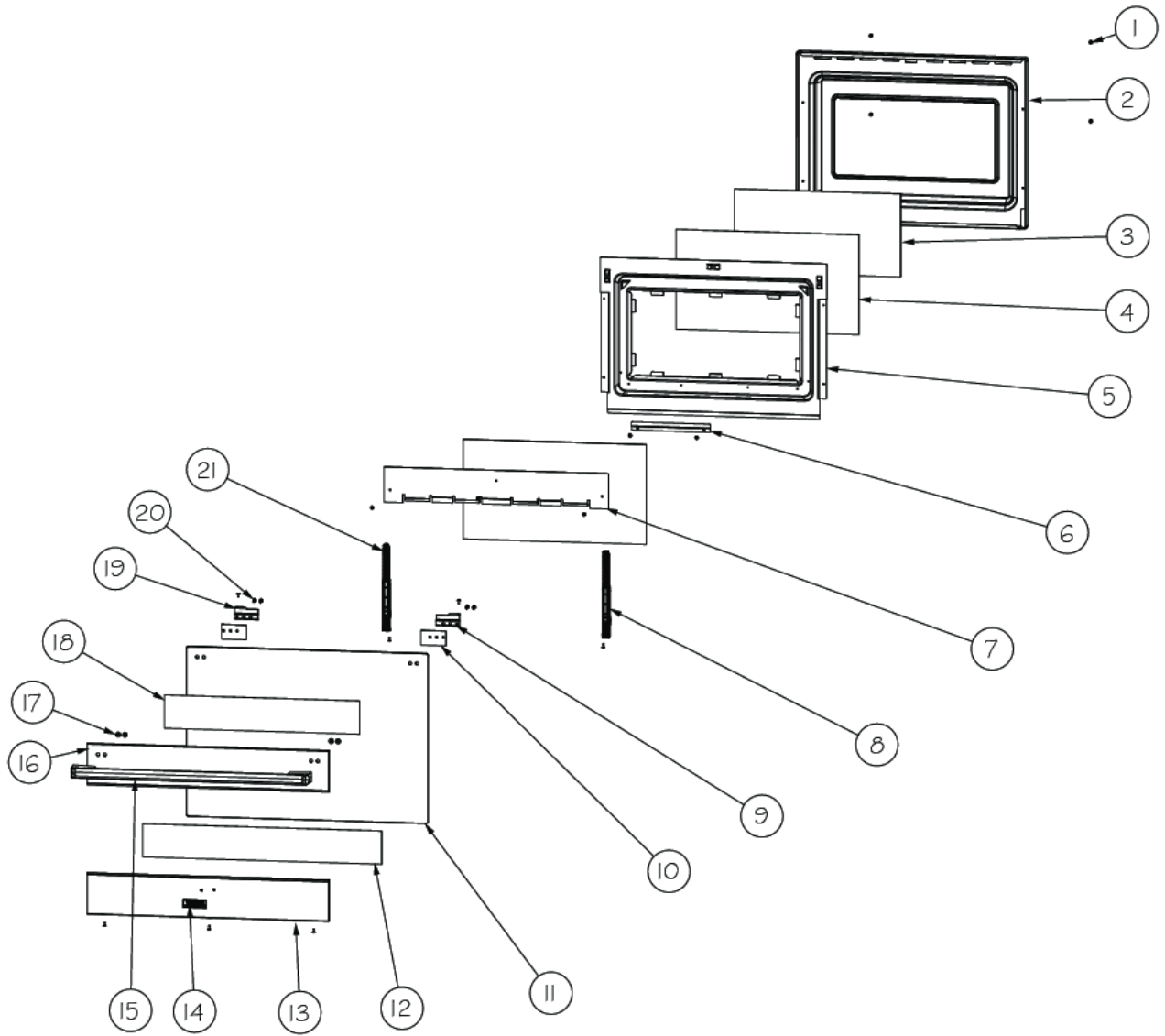


Item	Part No.	Name	Qty	Uom	NOTES
NI	016854-004	OUTER DOOR ASM, W/LOGO, SG	1	EA	Not available online / Call for pricing and availability
NI	016854-005	OUTER DOOR ASM, W/LOGO, GG	1	EA	
NI	016854-006	OUTER DOOR ASM, W/LOGO, WH	1	EA	Not available online / Call for pricing and availability
NI	016854-007	OUTER DOOR ASM, (AL) W/LOGO	1	EA	Not available online / Call for pricing and availability
NI	016854-008	OUTER DOOR ASM, W/LOGO, BU	1	EA	Not available online / Call for pricing and availability
NI	016854-009	OUTER DOOR ASM, W/LOGO, LE	1	EA	Not available online / Call for pricing and availability
NI	016854-010	OUTER DOOR ASM, W/LOGO, MJ	1	EA	Not available online / Call for pricing and availability
NI	016854-011	OUTER DOOR ASM, (FG) W/LOGO	1	EA	Not available online / Call for pricing and availability
NI	016854-012	OUTER DOOR ASM, W/LOGO, VB	1	EA	Not available online / Call for pricing and availability
NI	016854-013	OUTER DOOR ASM, W/LOGO, CB	1	EA	Not available online / Call for pricing and availability
NI	016854-014	OUTER DOOR ASM, (EP) W/LOGO	1	EA	Not available online / Call for pricing and availability
NI	016854-015	OUTER DOOR ASM, W/LOGO, PL	1	EA	Not available online / Call for pricing and availability
NI	016854-016	OUTER DOOR ASM, W/LOGO, CH	1	EA	Not available online / Call for pricing and availability



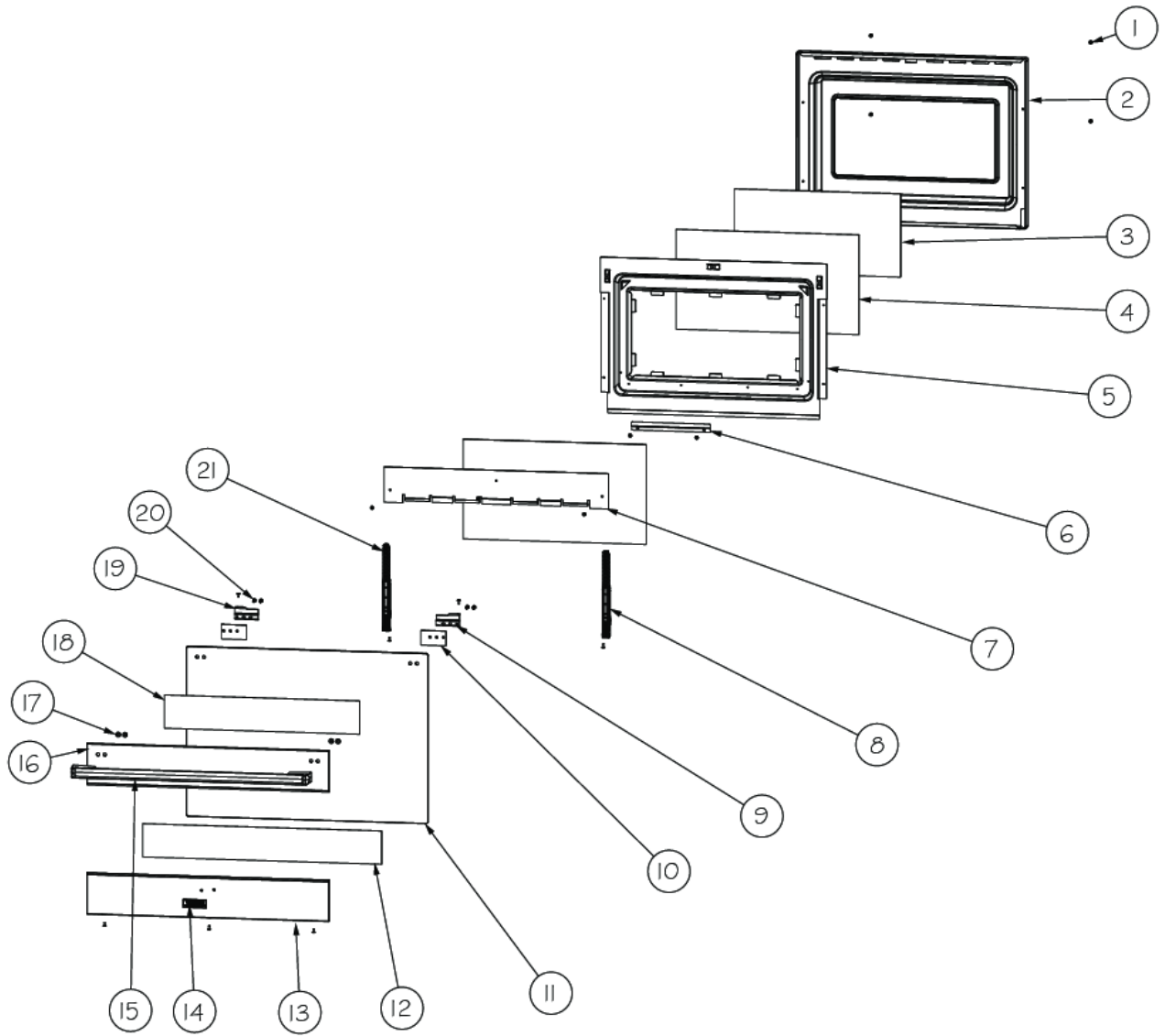


Item	Part No.	Name	Qty	Uom	NOTES
NI	016854-017	OUTER DOOR ASM, W/LOGO, TP	1	EA	Not available online / Call for pricing and availability
NI	016854-018	OUTER DOOR ASM, W/LOGO, CW	1	EA	Not available online / Call for pricing and availability
NI	016854-019	OUTER DOOR ASM, W/LOGO, OG	1	EA	Not available online / Call for pricing and availability
NI	016854-020	OUTER DOOR ASM, W/LOGO, GM	1	EA	Not available online / Call for pricing and availability
NI	016854-021	OUTER DOOR ASM, W/LOGO, SA	1	EA	Not available online / Call for pricing and availability
NI	016854-022	OUTER DOOR ASM, W/LOGO, SE	1	EA	Not available online / Call for pricing and availability
NI	016854-023	OUTER DOOR ASM, W/LOGO, IB	1	EA	Not available online / Call for pricing and availability
NI	016854-024	OUTER DOOR ASM, W/LOGO, AR	1	EA	Not available online / Call for pricing and availability
NI	016854-025	OUTER DOOR ASM, W/LOGO, RR	1	EA	Not available online / Call for pricing and availability
NI	016854-026	OUTER DOOR ASM, W/LOGO, PM	1	EA	Not available online / Call for pricing and availability
NI	016854-027	OUTER DOOR ASM, W/LOGO, MS	1	EA	Not available online / Call for pricing and availability
NI	014220-000	DOOR ASM (SS) W/ LOGO	1	EA	
NI	016853-002	DOOR ASM, W/LOGO, BK	1	EA	Not available online / Call for pricing and availability





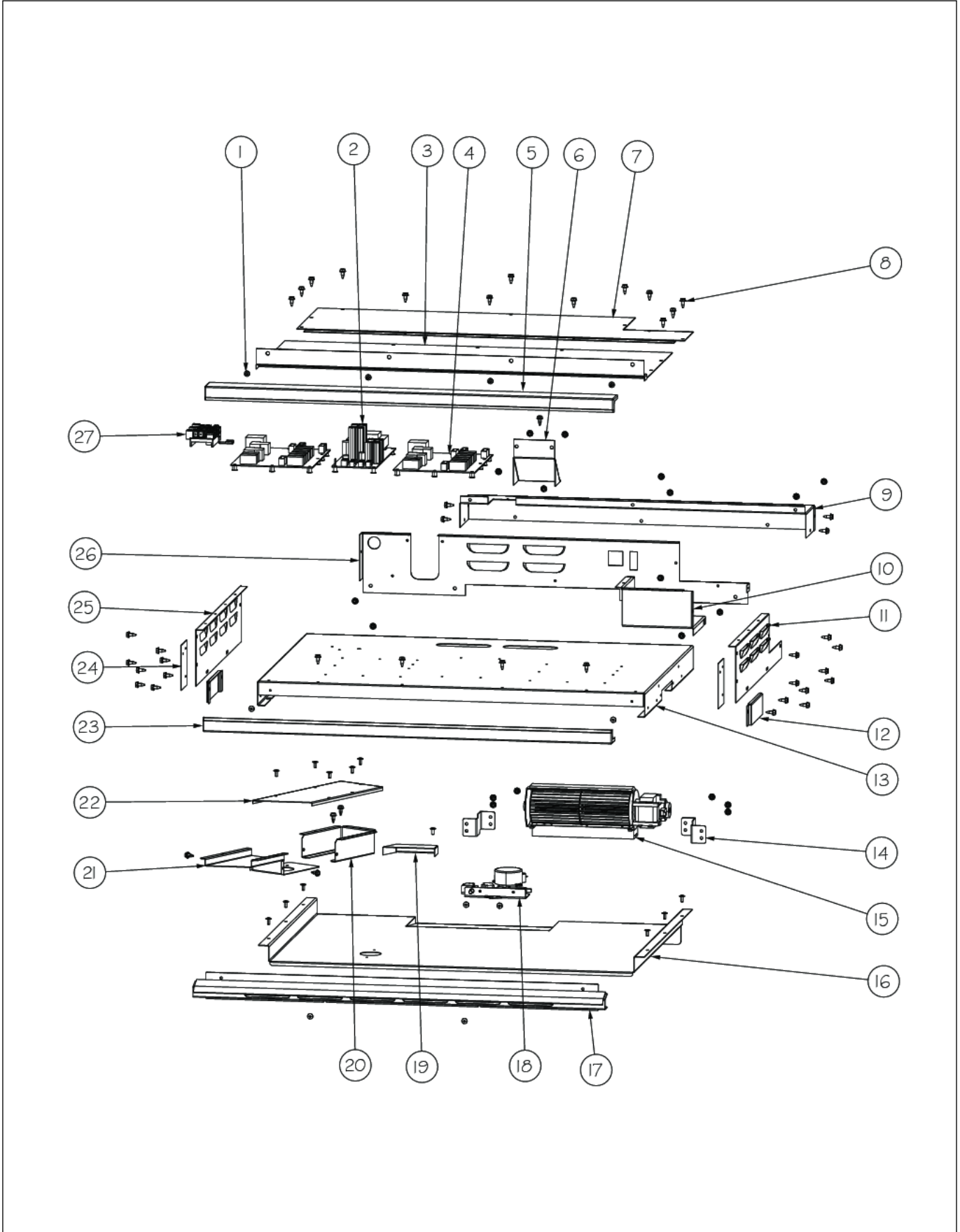
Item	Part No.	Name	Qty	Uom	NOTES
NI	016853-003	DOOR ASM, W/LOGO, BT	1	EA	Not available online / Call for pricing and availability
NI	016853-004	DOOR ASM, W/LOGO, SG	1	EA	Not available online / Call for pricing and availability
NI	016853-005	DOOR ASM, W/LOGO, GG	1	EA	Not available online / Call for pricing and availability
NI	016853-006	DOOR ASM, W/LOGO, WH	1	EA	Not available online / Call for pricing and availability
NI	016853-007	DOOR ASM (AL) W/LOGO	1	EA	Not available online / Call for pricing and availability
NI	016853-008	DOOR ASM, W/LOGO, BU	1	EA	Not available online / Call for pricing and availability
NI	016853-009	DOOR ASM, W/LOGO, LE	1	EA	Not available online / Call for pricing and availability
NI	016853-010	DOOR ASM, W/LOGO, MJ	1	EA	Not available online / Call for pricing and availability
NI	016853-011	DOOR ASM (FG) W/LOGO	1	EA	Not available online / Call for pricing and availability
NI	016853-012	DOOR ASM, W/LOGO, VB	1	EA	Not available online / Call for pricing and availability
NI	016853-013	DOOR ASM, W/LOGO, CB	1	EA	Not available online / Call for pricing and availability
NI	016853-014	DOOR ASM (EP) W/LOGO	1	EA	Not available online / Call for pricing and availability
NI	016853-015	DOOR ASM, W/LOGO, PL	1	EA	Not available online / Call for pricing and availability



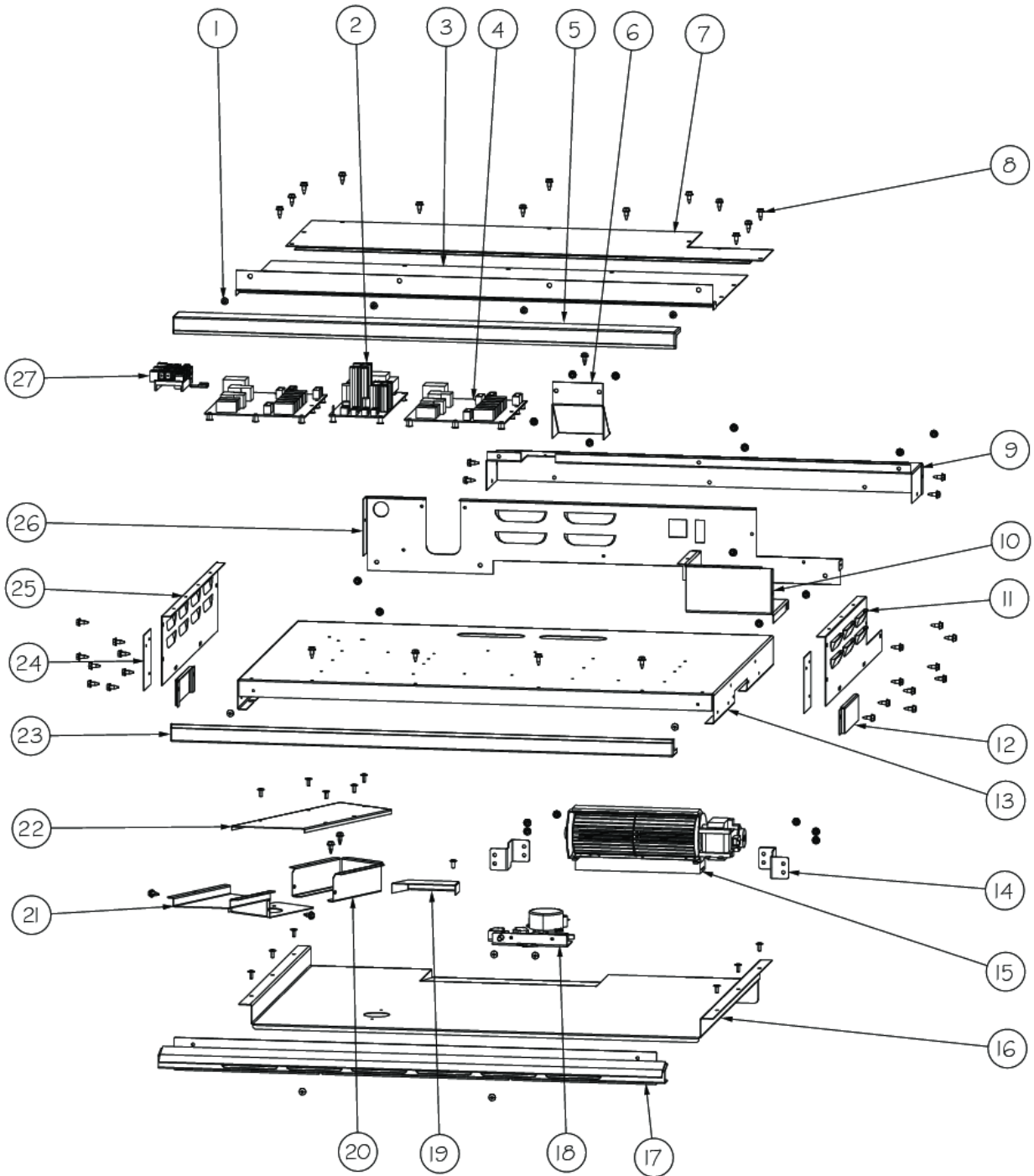


Item	Part No.	Name	Qty	Uom	NOTES
NI	016853-016	DOOR ASM, W/LOGO, CH	1	EA	Not available online / Call for pricing and availability
NI	016853-017	DOOR ASM, W/LOGO, TP	1	EA	Not available online / Call for pricing and availability
NI	016853-018	DOOR ASM, W/LOGO, CW	1	EA	Not available online / Call for pricing and availability
NI	016853-019	DOOR ASM, W/LOGO, OG	1	EA	Not available online / Call for pricing and availability
NI	016853-020	DOOR ASM, W/LOGO, GM	1	EA	Not available online / Call for pricing and availability
NI	016853-021	DOOR ASM, W/LOGO, SA	1	EA	Not available online / Call for pricing and availability
NI	016853-022	DOOR ASM, W/LOGO, SE	1	EA	Not available online / Call for pricing and availability
NI	016853-023	DOOR ASM, W/LOGO, IB	1	EA	Not available online / Call for pricing and availability
NI	016853-024	DOOR ASM, W/LOGO, AR	1	EA	Not available online / Call for pricing and availability
NI	016853-025	DOOR ASM, W/LOGO, RR	1	EA	Not available online / Call for pricing and availability
NI	016853-026	DOOR ASM, W/LOGO, PM	1	EA	Not available online / Call for pricing and availability
NI	016853-027	DOOR ASM, W/LOGO, MS	1	EA	Not available online / Call for pricing and availability

UPPER EXTERIOR AREA



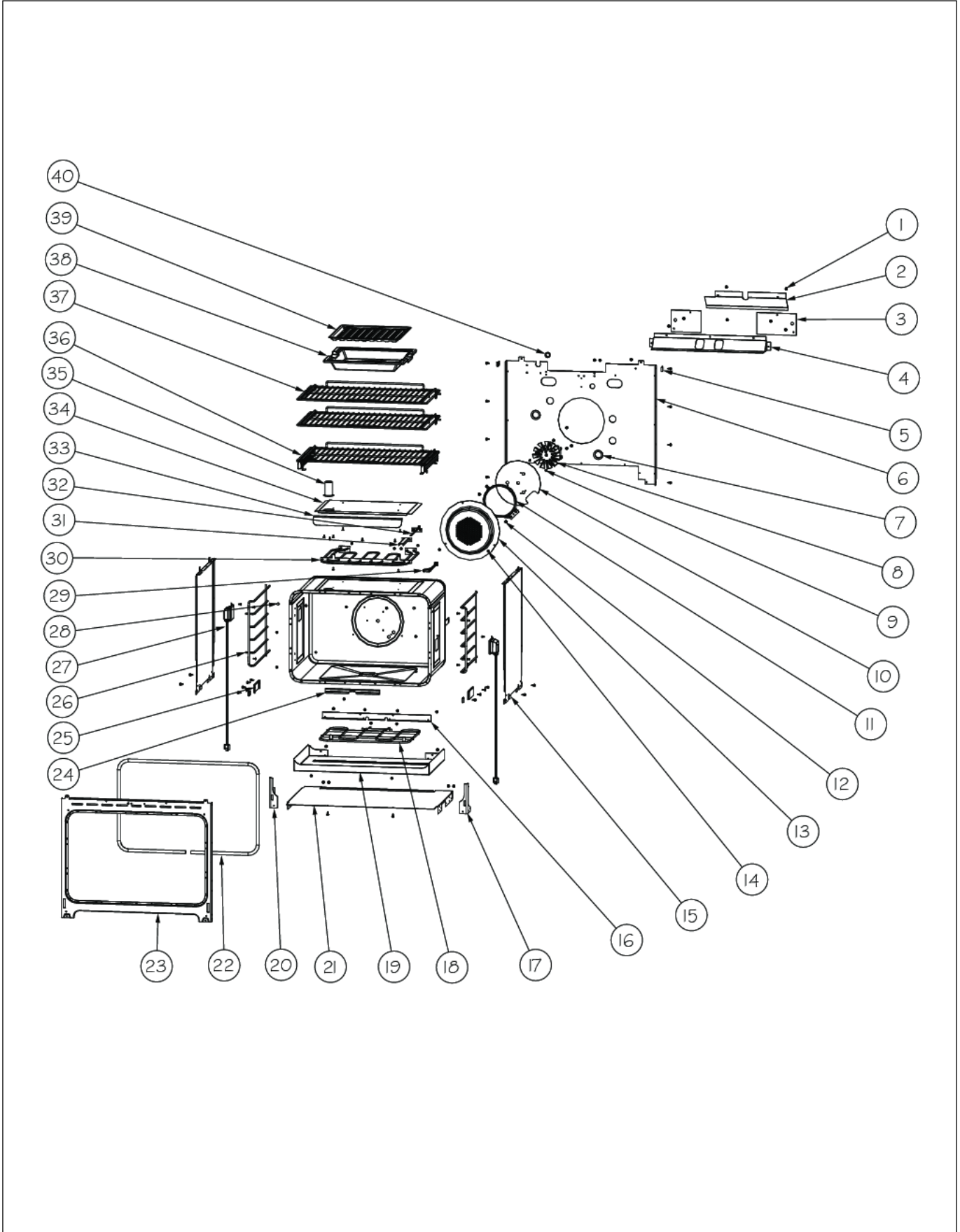
Item	Part No.	Name	Qty	Uom	NOTES
1	008863-000	SCREW #8 - 18 X 3/8, PHIL, LOW PROFILE TRUSS	22	EA	
2	015201-000	LINEAR POWER SUPPLY	1	EA	
3	012541-000	PANEL, ACS, FRONT	1	EA	
4	046142-571	CONTROL, EOC4, LED, V39/V51 & FAMILY	2	EA	
5	011667-000	TRIM, CTRL, UPPER, SS, NOT FIELD REPLACEABLE	1	EA	
6	009004-000	COVER, WIRE	1	EA	Not available online / Call for pricing and availability
7	015776-000	COVER, REAR, TOP	1	EA	
8	003860-000	FASTENER,SCR,HXWH,STL,ZP LT,10-18 x .500	62	EA	
9	009003-000	COVER, BACK, TOP	1	EA	Not available online / Call for pricing and availability
10	015774-000	COVER, TOP CORNER	1	EA	
11	015777-000	TOP SIDE, RH	1	EA	NO LONGER AVAILABLE
12	013740-000	COVER, SIDE, DESIGNER	2	EA	Not available online / Call for pricing and availability
13	015797-000	ELECTRONICS MOUNT	1	EA	Not available online / Call for pricing and availability
14	008899-000	FAN, MTG, BRKT	2	EA	
15	PE050250	Blower	1	EA	
<p>Comments for Part Num. PE050250</p> <p>highendappsvc@gmail.com on Jan 28, 2019</p> <p>If you need to replace cooling fan for the model vgsc5486gss serial date code 031412, do not order this fan, this fan is larger and configured wrong. The correct fan is 007794-000. it is smaller.</p>					
16	008901-000	RETAINER, INSL, TOP	1	EA	
17	009012-000	UPPER VENT ASM	1	EA	
18	035630-000	LATCH, ELEC, DOOR ASSY	1	EA	
19	008914-000	TRIM, VENT, SEAL	1	EA	
20	008912-000	VENT, BOX, SIDE	1	EA	



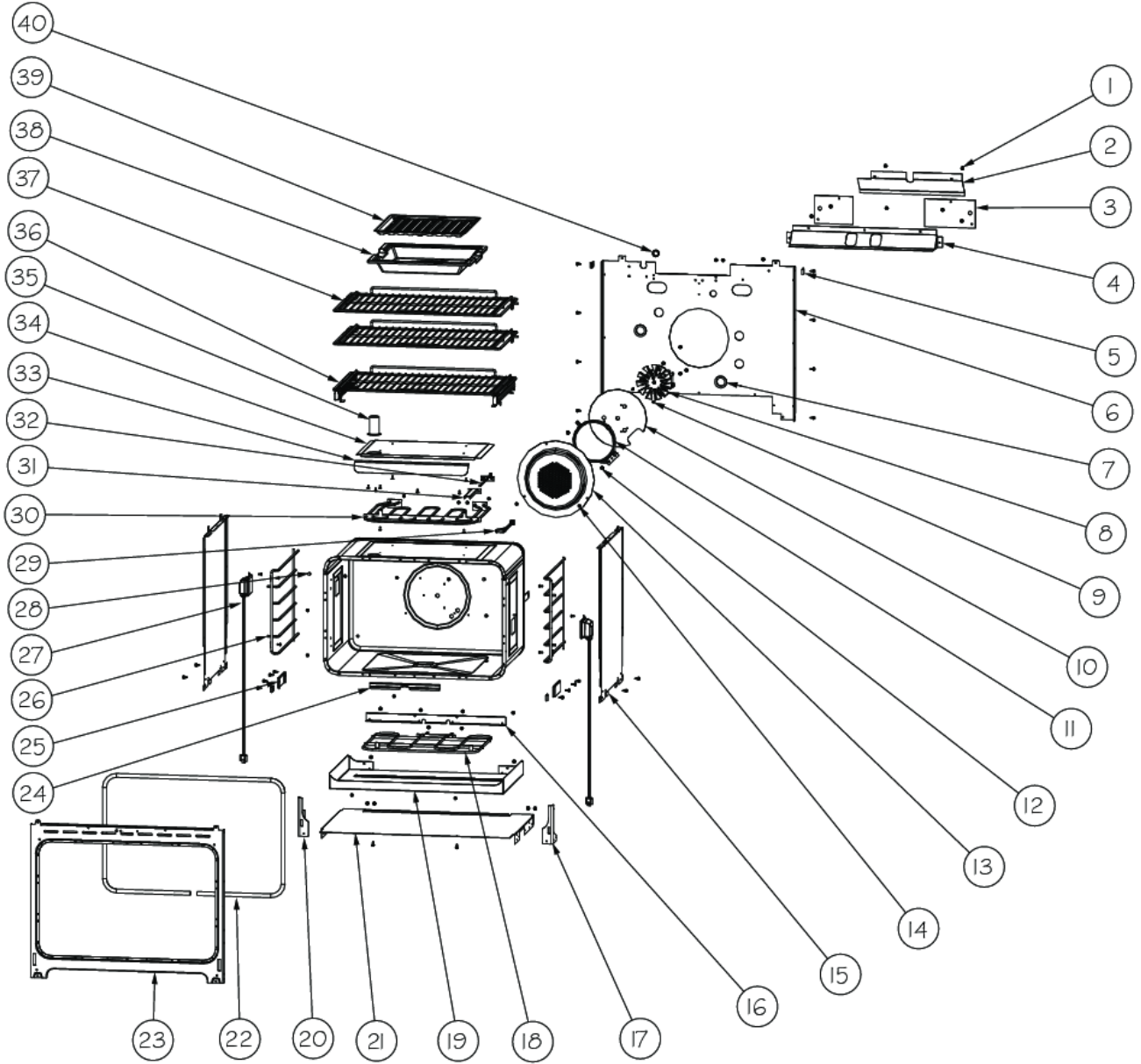


Item	Part No.	Name	Qty	Uom	NOTES
21	008902-000	VENT, BOX, BOT	1	EA	
22	008913-000	VENT, OVEN, TOP	1	EA	
23	014542-000	TRIM, CTRL, LOWER, SS, NOT FIELD REPLACEABLE	1	EA	MUST ALSO ORDER 023199- 000 FOR INSTALLATION
24	012542-000	FILLER PLATE	2	EA	NO LONGER AVAILABLE, Not available online / Call for pricing and availability
25	012540-000	TOP SIDE, LH	1	EA	NO LONGER AVAILABLE
26	015775-000	PANEL, ENCL, BACK, W/LOUVERS	1	EA	NO LONGER AVAILABLE, Not available online / Call for pricing and availability
27	PE070147	TERMINAL BLOCK (VDSC)	1	EA	

UPPER OVEN CAVITY



Item	Part No.	Name	Qty	Uom	NOTES
1	003860-000	FASTENER,SCR,HXWH,STL,ZP LT,10-18 x .500	48	EA	
2	009010-000	AIR DEFLECTOR	1	EA	
3	009018-000	COVER, LWR, FAN, L	1	EA	
4	008898-000	INSULATION, RTNR, BOT, BACK	1	EA	
5	013070-000	SIDE SPACER	4	EA	
6	008888-000	BACK, INS, RETAINER	1	EA	
7	PB070320	SILICONE EXTRUSION	2	EA	
8	008874-000	CONV FAN MOTOR	1	EA	
9	008877-000	CONV MOTOR MOUNT SCREW	3	EA	Not available online / Call for pricing and availability
10	008873-000	CONVECTION, FAN, INSULATION, RETAINER	1	EA	
11	008862-000	CONVECTION ELEMENT	1	EA	
12	PD020063	SCREW-#8(A) X 3/8"PH WFR HD/BK OXID	2	EA	
13	013580-000	CONV, COVER, W/PORC	1	EA	
14	008863-000	SCREW #8 - 18 X 3/8, PHIL, LOW PROFILE TRUSS	30	EA	
15	008896-000	COVER,INSL,SIDE	2	EA	
16	008855-000	COVER BAKE TRAY	1	EA	
17	008895-000	RECEIVER, HINGE, RIGHT	1	EA	
18	008854-000	BAKE ELEMENT	1	EA	
19	008857-000	BAKE ELEMENT BOX	1	EA	
20	008894-000	RECEIVER, HINGE, LEFT	1	EA	
21	008889-000	BOTTOM, INSULATION, RTNR	1	EA	
22	009007-000	DOOR GASKET	1	EA	
23	013505-000	FRONT FRAME W/PORC	1	EA	
24	009005-000	GASKET CLIP	1	EA	
25	013740-000	COVER, SIDE, DESIGNER	2	EA	Not available online / Call for pricing and availability
26	008866-000	RACK SUPPORT W/ PORC	1	EA	
27	020403-000	BJB SLIMLINE 40W BULB	2	EA	





Item	Part No.	Name	Qty	Uom	NOTES
28	008864-000	SILICONE BUMPER	2	EA	
29	008880-000	MEAT PROBE JACK	1	EA	
30	008871-000	BROIL ELEMENT	1	EA	
31	008872-000	OVEN, SNSR, COVER	1	EA	
32	008870-000	RTD	1	EA	
33	013753-000	DEFLECTOR, BRL	1	EA	
34	008867-000	BROIL, REFLECTOR, PLATE	1	EA	
35	008868-000	SMOKE ELIMINATOR	1	EA	
36	051822-000	GLIDE RACK, W/O 30"	1	EA	
37	013646-000	RACK, OVEN, DESIGNER, 30	2	EA	
38	014923-000	PAN, BROILER, BLUE PORCELAIN	1	EA	
39	014924-000	INSERT, BROILER PAN, BLUE PORCELAIN	1	EA	Not available online / Call for pricing and availability
40	PD040005	SNAP BUSHING, 7/8"	1	EA	
NI	013803-000	PROBE, MEAT, DESIGNER	1	EA	



Appendix A:Pages Index

CONTROL AREA 1
LOWER DOOR ASSEMBLY 2
LOWER EXTERIOR AREA 3
LOWER OVEN CAVITY 4
MIDDLE EXTERIOR AREA 5
REAR UNIT AREA 6
UPPER DOOR ASSEMBLY 7
UPPER EXTERIOR AREA 8
UPPER OVEN CAVITY 9



Appendix B:Parts Index

003860-000	1, 3, 4, 5, 6, 8, 9	008973-000	2, 7
008854-000	4, 9	008974-000	2, 7
008855-000	4, 9	009003-000	8
008857-000	4, 9	009004-000	8
008862-000	4, 9	009005-000	4, 9
008863-000	2, 3, 4, 5, 6, 7, 8, 9	009007-000	4, 9
008864-000	4, 9	009008-000	6
008866-000	4, 9	009009-000	6
008867-000	4, 9	009010-000	9
008868-000	4, 9	009012-000	8
008870-000	4, 9	009015-000	3
008871-000	4, 9	009018-000	9
008872-000	4, 9	009078-000	7
008873-000	4, 9	009092-000	2
008874-000	4, 9	009093-000	2
008877-000	4, 9	009602-000	2, 7
008880-000	9	009607-000	6
008888-000	4, 9	009608-000	6
008889-000	4, 9	009675-000	1
008894-000	4, 9	011323-000	6
008895-000	4, 9	011324-000	6
008896-000	4, 9	011639-000	2, 7
008898-000	4, 9	011640-000	2
008899-000	5, 8	011667-000	8
008901-000	5, 8	012540-000	8
008902-000	5, 8	012541-000	8
008912-000	5, 8	012542-000	8
008913-000	5, 8	013070-000	4, 9
008914-000	5, 8	013505-000	4, 9
008923-000	3	013580-000	4, 9
008927-000	3	013585-000	2, 7
008928-000	3	013589-000	2, 7
008949-000	2, 7	013646-000	4, 9
008952-000	2, 7	013700-000	7
008954-000	2, 7	013740-000	4, 8, 9
008955-000	2, 7	013753-000	4, 9
008958-000	2, 7	013803-000	9
008959-000	2, 7	014188-000	7
008971-000	2, 2, 7	014194-000	2, 7
008972-000	2, 7	014195-000	2, 7
		014219-000	7



014220-000	7	016854-002	7
014278-000	3	016854-003	7
014542-000	8	016854-004	7
014623-000	1	016854-005	7
014923-000	4, 9	016854-006	7
014924-000	4, 9	016854-007	7
015043-000	1	016854-008	7
015195-000	1	016854-009	7
015201-000	8	016854-010	7
015774-000	8	016854-011	7
015775-000	8	016854-012	7
015776-000	8	016854-013	7
015777-000	8	016854-014	7
015797-000	8	016854-015	7
015829-000	5	016854-016	7
016853-002	7	016854-017	7
016853-003	7	016854-018	7
016853-004	7	016854-019	7
016853-005	7	016854-020	7
016853-006	7	016854-021	7
016853-007	7	016854-022	7
016853-008	7	016854-023	7
016853-009	7	016854-024	7
016853-010	7	016854-025	7
016853-011	7	016854-026	7
016853-012	7	016854-027	7
016853-013	7	016855-002	2
016853-014	7	016855-003	2
016853-015	7	016855-004	2
016853-016	7	016855-005	2
016853-017	7	016855-006	2
016853-018	7	016855-007	2
016853-019	7	016855-008	2
016853-020	7	016855-009	2
016853-021	7	016855-010	2
016853-022	7	016855-011	2
016853-023	7	016855-012	2
016853-024	7	016855-013	2
016853-025	7	016855-014	2
016853-026	7	016855-015	2
016853-027	7	016855-016	2



016855-017	2	046142-571	8
016855-018	2	051822-000	9
016855-019	2	G40015469	1
016855-020	2	PB010222	1
016855-021	2	PB010315	1
016855-022	2	PB070320	4, 9
016855-023	2	PD020063	4, 9
016855-024	2	PD040005	4, 9
016855-025	2	PE050250	5, 8
016855-026	2	PE070147	8
016855-027	2	PJ030033	1
016856-002	2	PJ030035	1
016856-003	2		
016856-004	2		
016856-005	2		
016856-006	2		
016856-007	2		
016856-008	2		
016856-009	2		
016856-010	2		
016856-011	2		
016856-012	2		
016856-013	2		
016856-014	2		
016856-015	2		
016856-016	2		
016856-017	2		
016856-018	2		
016856-019	2		
016856-020	2		
016856-021	2		
016856-022	2		
016856-023	2		
016856-024	2		
016856-025	2		
016856-026	2		
016856-027	2		
019340-000	1		
020403-000	4, 9		
035630-000	5, 8		
040197-000	6		