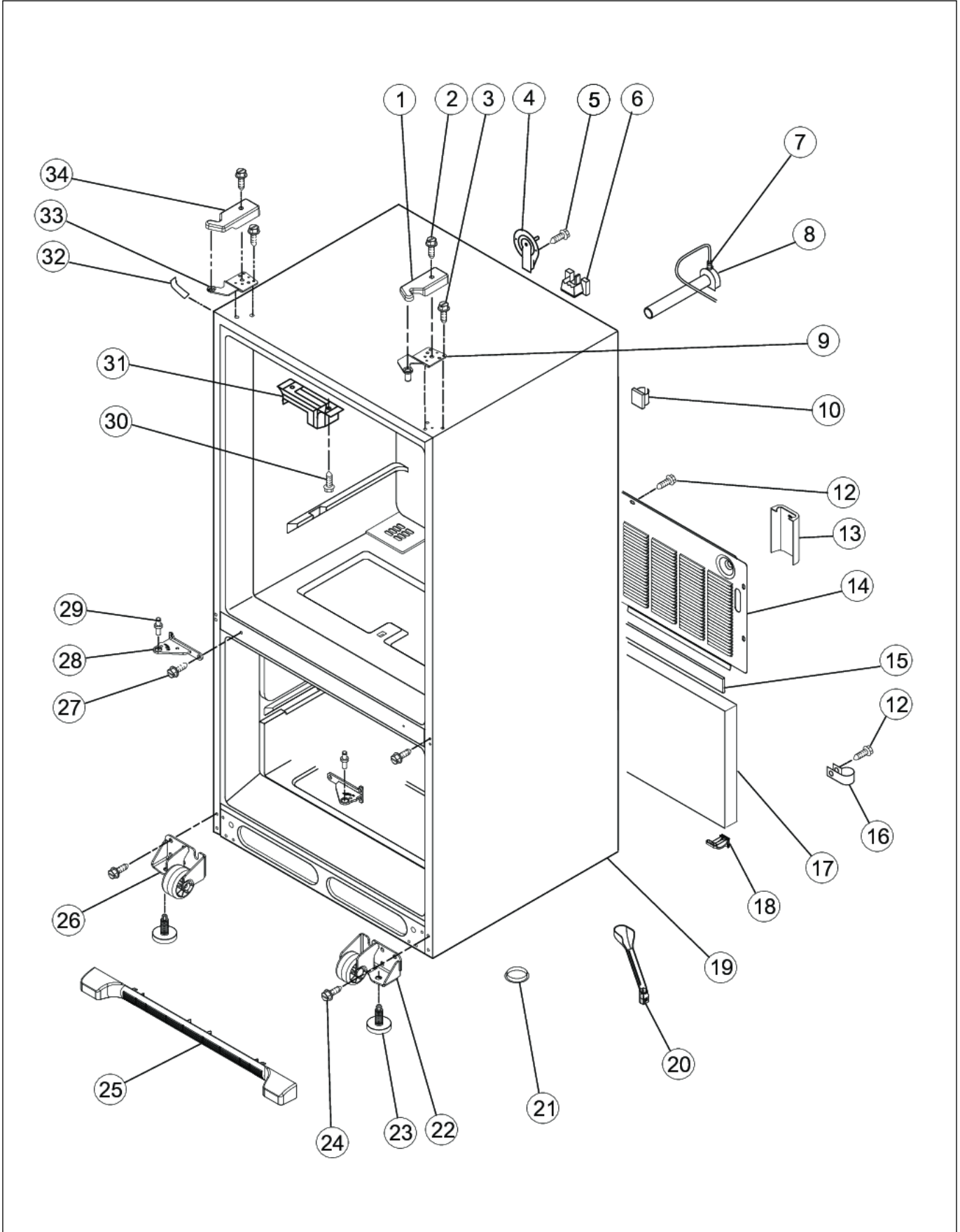


**DDFF136SSS8**

CABINET .....	1
FZ DOOR .....	2
FZ LINER .....	3
ICE MAKER .....	4
REF DOOR .....	5
REF LINER .....	6
SHELF .....	7
UNIT PART 1 .....	8
UNIT PART 2 .....	9
Appendix A:Pages Index .....	A
Appendix B:Parts Index .....	B



CABINET





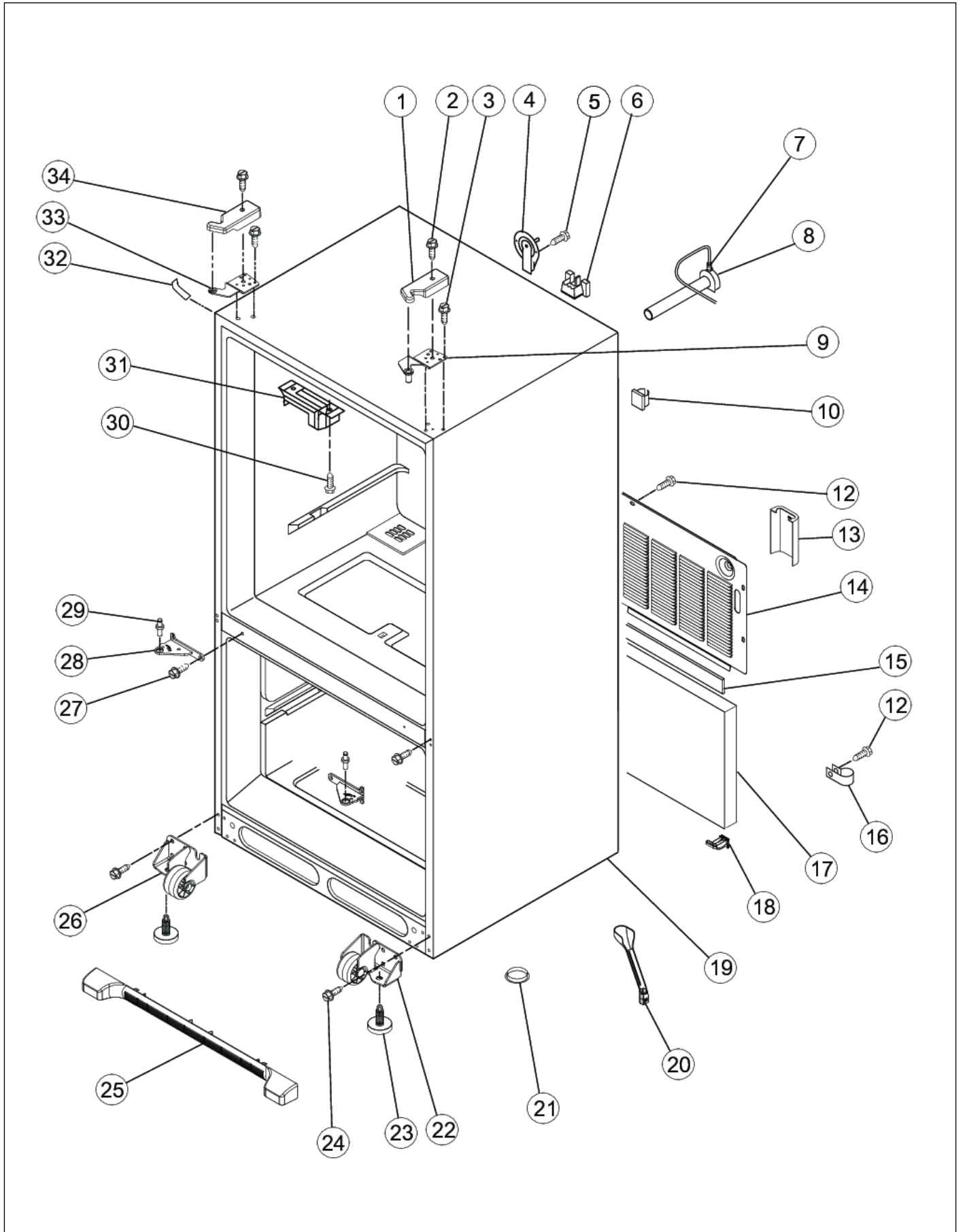
Item	Part No.	Name	Qty	Uom	NOTES
1	PS400008	COVER, RIGHT HINGE, BLACK	1	EA	
2	021734-000	SCREW	2	EA	
3	021733-000	SCREW	6	EA	
4	021685-000	COVER, WATER LINE	1	EA	Not available online / Call for pricing and availability
5	021711-000	SCREW	1	EA	
6	021688-000	BLOCK, FILL TUBE	1	EA	
7	021795-000	CLIP	1	EA	
8	PS400185	ELBOW, FILL TUBE	1	EA	
9	PS400006	HINGE, TOP RIGHT	1	EA	
10	PS400180	CLIP	2	EA	
12	PS400129	SCREW, SMALL (67006425)	10	EA	
13	021820-000	COVER-WATER VALVE	1	EA	
14	021823-000	COVER, UNIT	1	EA	
15	021790-000	GASKET	1	EA	
16	021794-000	CLAMP, TUBE	1	EA	
17	021697-000	INSULATION, SOUND	1	EA	
18	021700-000	SWEEP, DUAL TUBE	1	EA	
19	NON-SERVICEABLE	CABINET	1	EA	
20	028580-000	P TRAP DRAIN	1	EA	

Comments for Part Num. 028580-000

bradleysapplianceservice@shaw.ca on Dec 9, 2016

028580-000 NEW STYLE P-TRAP DRAIN TUBE

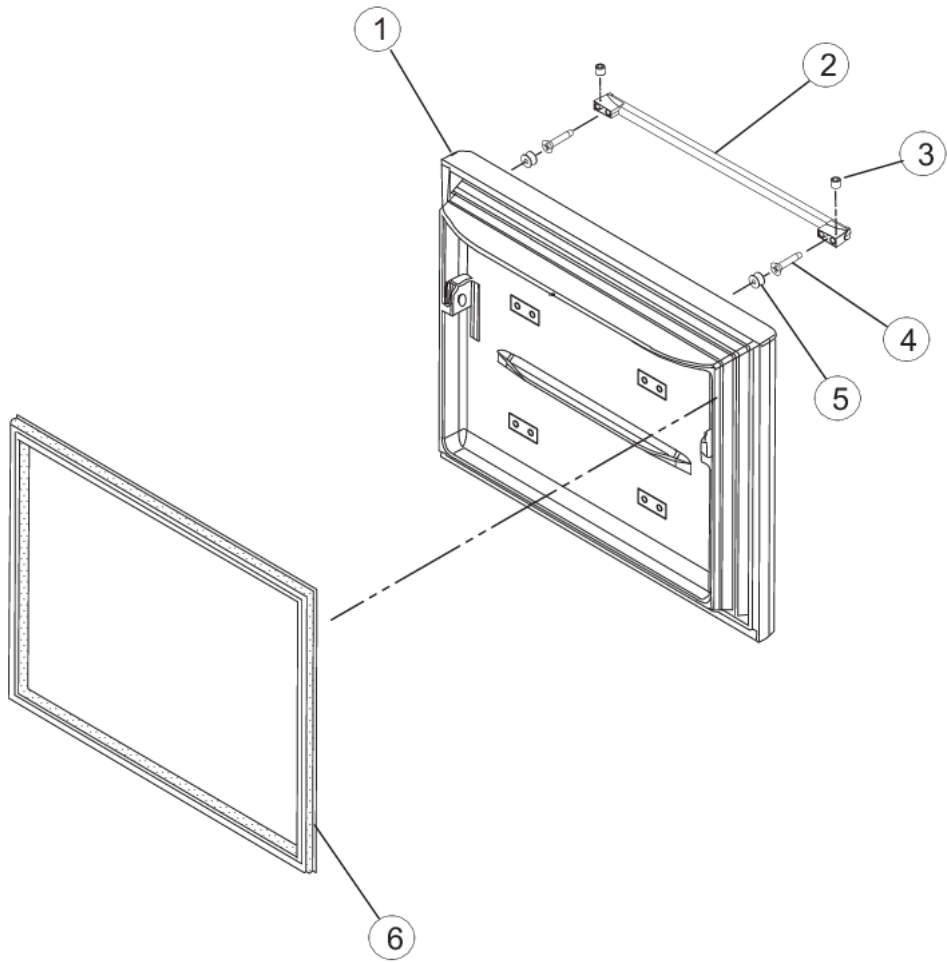
21	PS400097	PLUG, BUTTON	1	EA	
22	021847-000	ROLLER ASSY., FRONT RIGHT	1	EA	
23	011488-000	BRAKE, FOOT	1	EA	
24	021728-000	SCREW	8	EA	
25	PS400103	GRILLE, TOE, BLACK	1	EA	
26	021848-000	ROLLER ASSY., FRONT LEFT	1	EA	
27	021730-000	SCREW	6	EA	
28	021770-000	HINGE, CENTER, BLACK	2	EA	





Item	Part No.	Name	Qty	Uom	NOTES
29	021662-000	PIN, CENTER HINGE	29	EA	
30	021709-000	SCREW	2	EA	
31	021679-000	BLOCK, PIVOT	1	EA	
32	021767-000	COVER, CORNER, BLACK	2	EA	
33	021768-000	HINGE, TOP LEFT - SUBS TO PS400217	1	EA	
34	021769-000	COVER, LEFT HINGE, BLACK	1	EA	

FZ DOOR

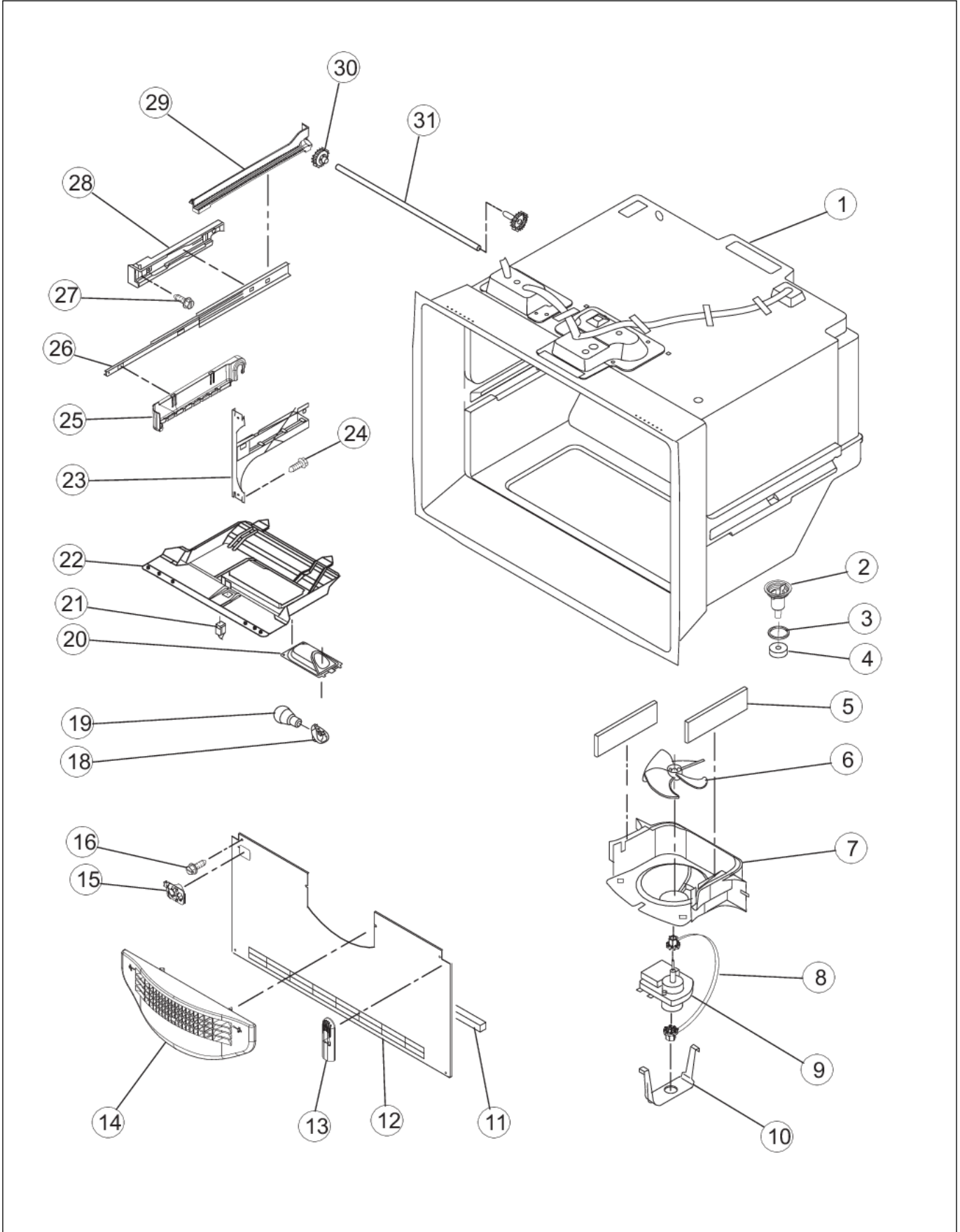




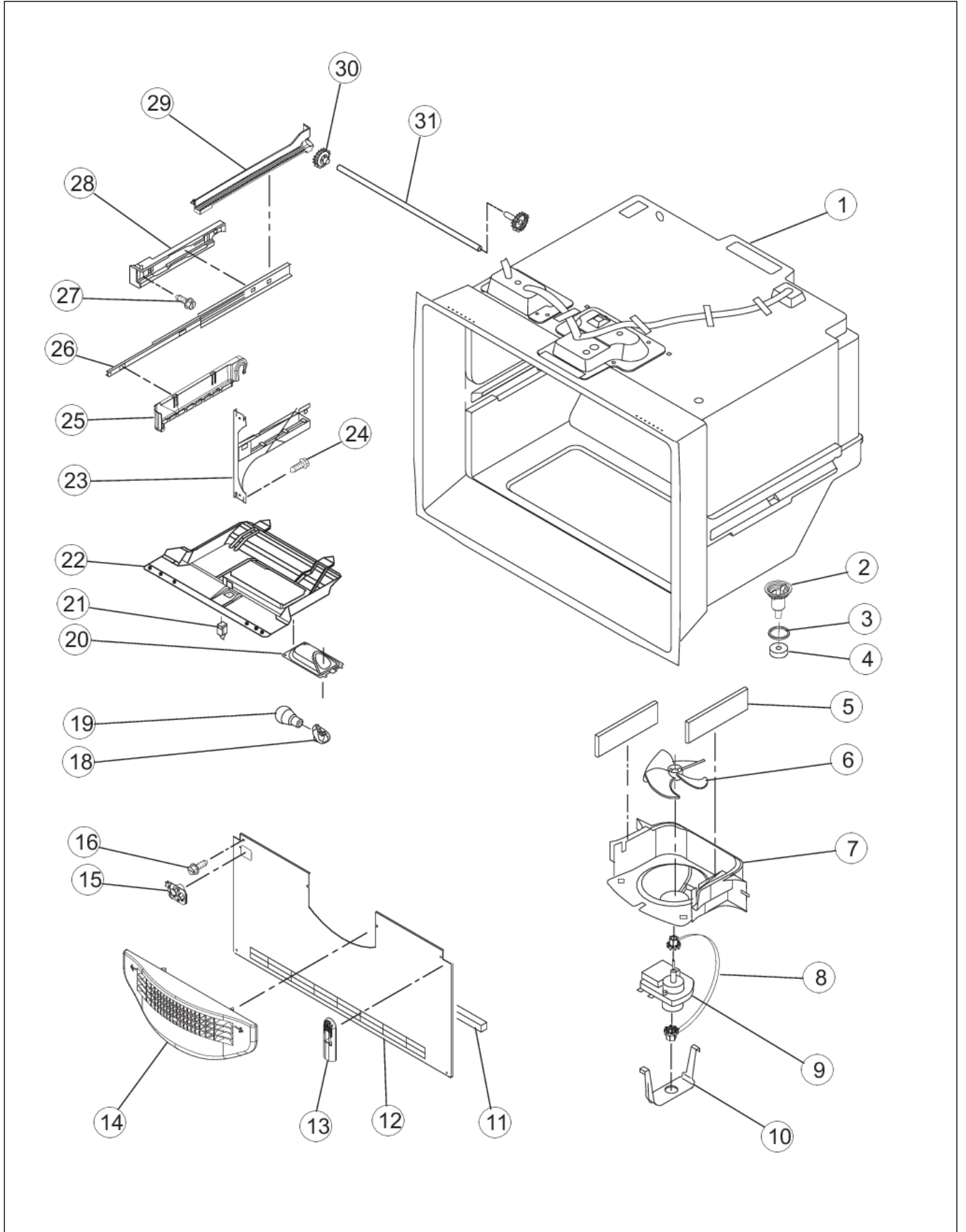


Item	Part No.	Name	Qty	Uom	NOTES
1	028672-000	DOOR, FREEZER (SS)	1	EA	
2	021842-000	HANDLE, DOOR (STAINLESS)	1	EA	
3	021828-000	SET SCREW	2	EA	
4	022954-000	SCREW, FLAT HEAD	2	EA	
5	021567-000	STUD, HANDLE	2	EA	
6	021807-000	GASKET, FREEZER DOOR (BLACK) - SUBS TO PS400028	1	EA	

FZ LINER



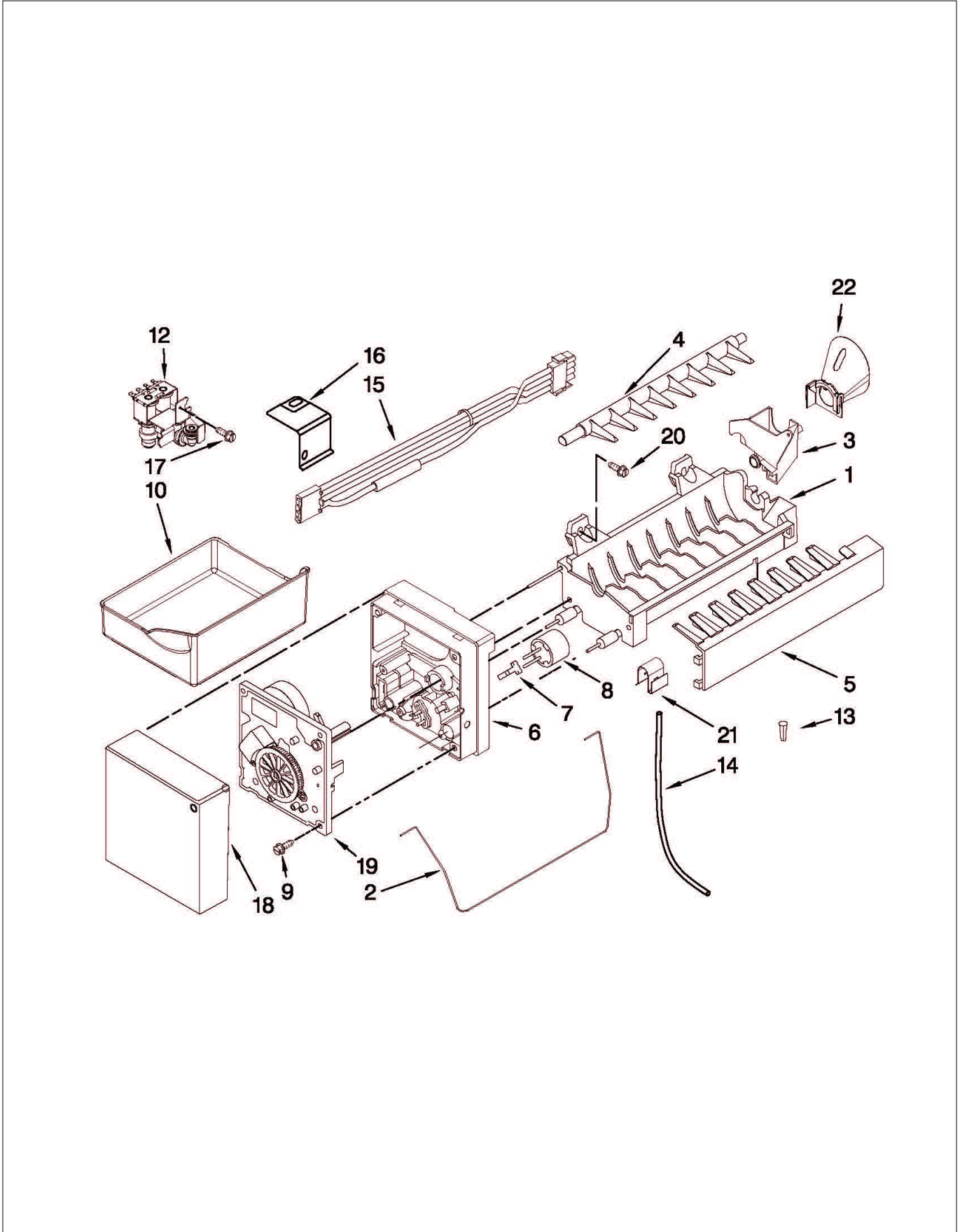
Item	Part No.	Name	Qty	Uom	NOTES
1	NON-SERVICEABLE	LINER	1	EA	
2	PS400092	FUNNEL, DRAIN	1	EA	
3	PS400091	SEAL, O-RING	1	EA	
4	PS400090	GASKET, DRAIN TUBE	1	EA	
5	021787-000	GASKET, FOAM	1	EA	
6	021741-000	BLADE, FAN (EVAPORATOR)	1	EA	
7	021738-000	SHROUD, EVAPORATOR FAN	1	EA	
8	011508-000	GROMMET	1	EA	
9	PS400139	MOTOR, EVAPORATOR FAN (67003636)	1	EA	
10	021739-000	CLIP, EVAP MOTOR	1	EA	
11	021788-000	GASKET, FOAM	1	EA	
12	021874-000	COVER, EVAPORATOR	1	EA	
13	021696-000	COVER, THERMISTOR	1	EA	
14	021736-000	GRILLE, FZ AIR	1	EA	
15	021704-000	GUIDE, FILL TUBE	1	EA	
16	PS400129	SCREW, SMALL (67006425)	4	EA	
17	021866-000	HANDLE, DOOR (SS)	1	EA	
18	021765-000	SOCKET, LIGHT	1	EA	
19	021955-000	BULB, LIGHT	1	EA	
20	022071-000	MODULE?FZ LIGHT	1	EA	
21	021669-000	SWITCH, LIGHT	1	EA	
23	011500-000	BRACKET, DOOR, LEFT	1	EA	
NI	011501-000	BRACKET, DOOR, RIGHT	1	EA	
24	021724-000	SCREW	8	EA	
25	021849-000	CRADLE, BASKET, LEFT	1	EA	
NI	021850-000	CRADLE, BASKET, RIGHT	1	EA	
26	021737-000	SLIDE, DRAWER	2	EA	
27	021710-000	SCREW	6	EA	
28	021840-000	ADAPTER, SLIDE, LEFT	1	EA	
28	190896	Wedge	1	EA	
NI	021877-000	ADAPTER, SLIDE, RIGHT	1	EA	
29	021851-000	RACK-SIDE-LEFT	1	EA	





Item	Part No.	Name	Qty	Uom	NOTES
NI	021852-000	RACK-SLIDE, RIGHT	1	EA	
30	PS400100	GEAR (LH / RH) - SUBS TO 011497-000	1	EA	
31	021917-000	SHAFT, RACK	1	EA	
NI	021836-000	HARNESS, FZ MODULE	1	EA	
NI	026692-000	KIT, THERMISTOR REPLACEMENT	1	EA	

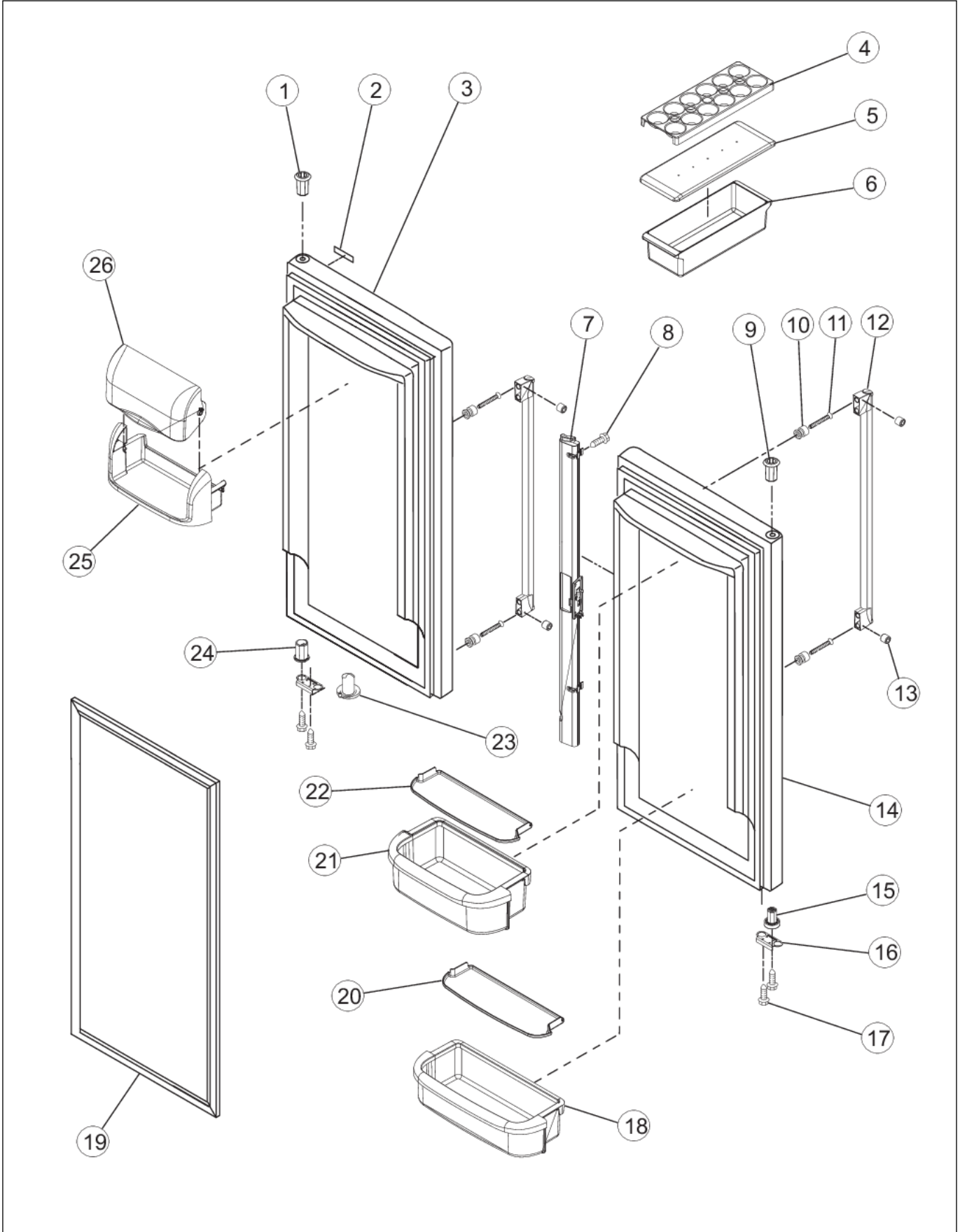
ICE MAKER





Item	Part No.	Name	Qty	Uom	NOTES
1	011580-000	MOLD & HEATER ASSEMBLY	1	EA	
2	021913-000	ARM, SHUTOFF	1	EA	
3	011581-000	CUP. FILL	1	EA	
4	011582-000	ICE EJECTOR	1	EA	
5	PR130059	ICE STRIPPER MOLD (2182124)	1	EA	
6	011584-000	SUPPORT, HOUSING	1	EA	
7	011585-000	RETAINER, THERMOSTAT	1	EA	
8	021387-000	THERMOSTAST	1	EA	
9	021577-000	SCREW	1	EA	
10	017060-000	PAN, ICE	1	EA	
12	021673-000	VALVE, WATER INLET	1	EA	
13	022171-000	INSERT, TUBE	1	EA	
14	021789-000	TUBING, PLASTIC	1	EA	
15	021793-000	HARNESS, ICE MAKER	1	EA	
16	011577-000	BRACKET, ICE MAKER	1	EA	
17	021729-000	SCREW	1	EA	
18	PS400368	COVER, ICE MAKER	1	EA	
19	021830-000	MODULE ASSEMBLY	1	EA	
20	011579-000	SCREW	3	EA	
21	017065-000	CLIP	1	EA	
22	021703-000	FUNNEL, FILL TUBE	1	EA	
NI	021811-000	ICEMAKER ASSY	1	EA	
NI	026700-000	COUPLING	1	EA	

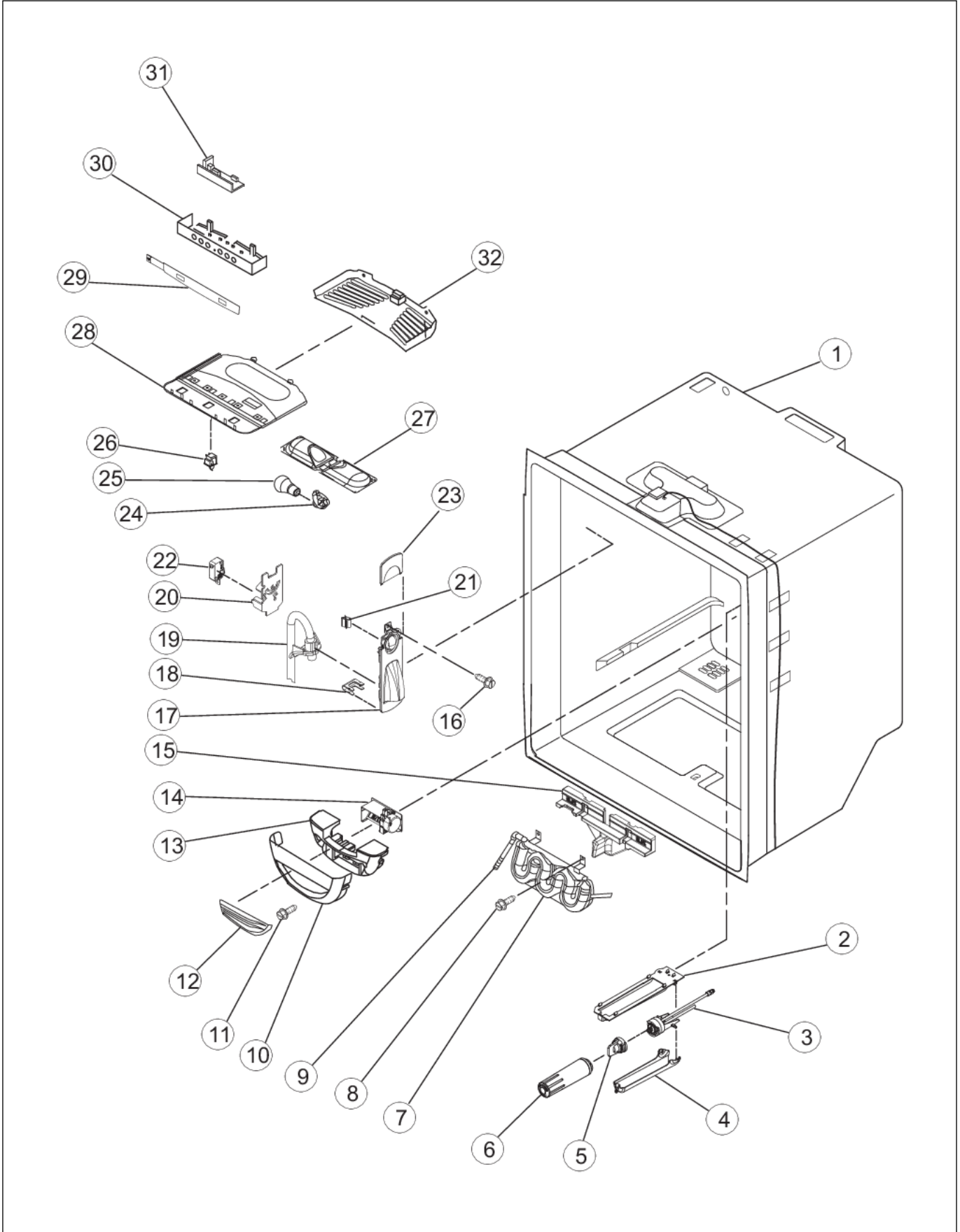
REF DOOR





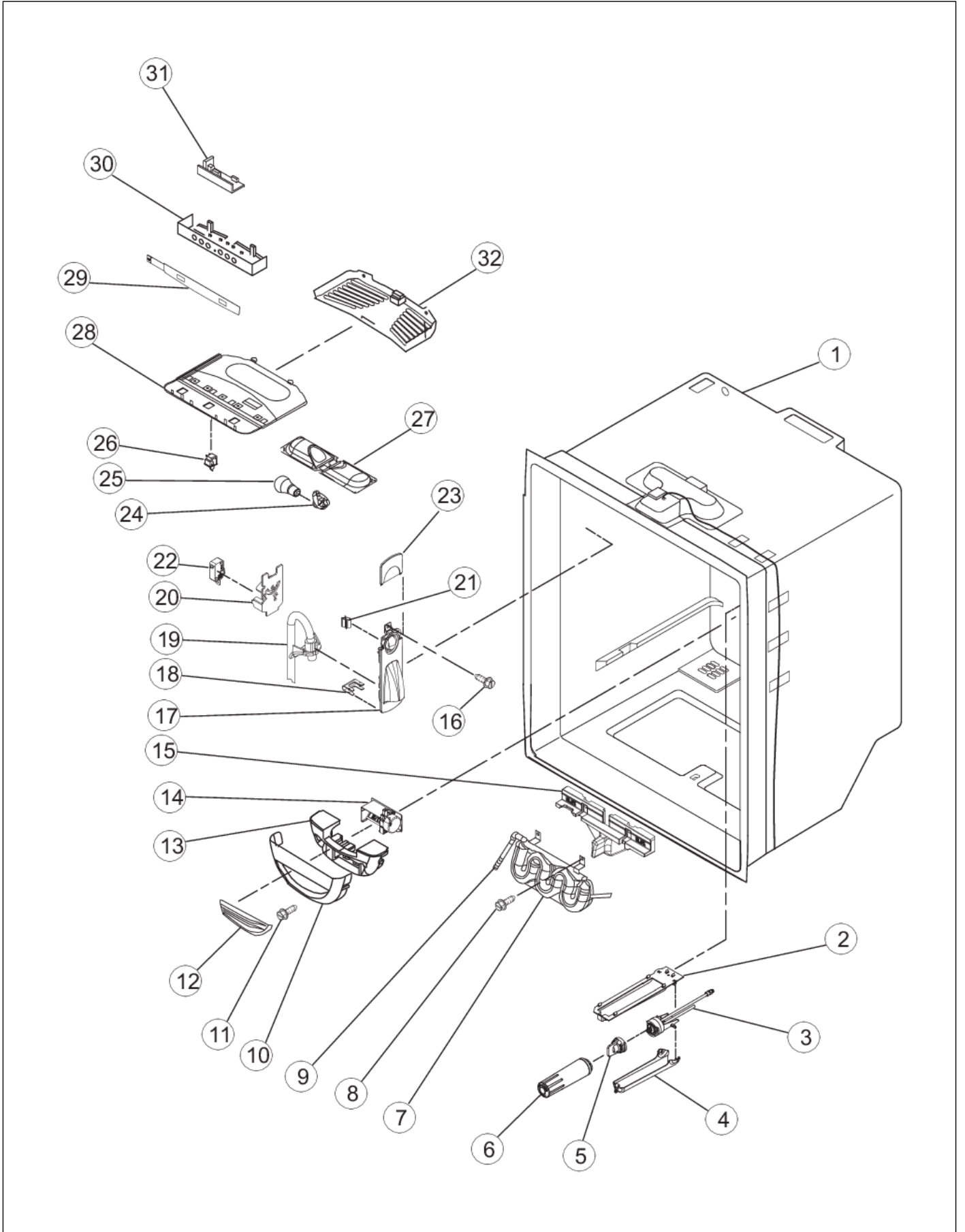
Item	Part No.	Name	Qty	Uom	NOTES
1	021751-000	BUSHING, DOOR, BLACK (UPPER RIGHT)	1	EA	
2	022061-000	NAMEPLATE	1	EA	
3	022953-000	DOOR, RIGHT, STAINLESS	1	EA	
4	017162-000	TRAY, EGG	1	EA	
5	021747-000	LID, UTILITY	1	EA	NO LONGER AVAILABLE
6	021746-000	BIN, UTILITY	1	EA	
7	022956-000	MULLION, DOOR, BLACK	1	EA	
8	021708-000	SCREW	1	EA	
9	PS400222	BUSHING, DOOR, BLACK (UPPER LEFT)	1	EA	
10	021567-000	STUD, HANDLE	4	EA	
11	022954-000	SCREW, FLAT HEAD	4	EA	
12	021842-000	HANDLE, DOOR (STAINLESS)	1	EA	
13	021828-000	SET SCREW	4	EA	
14	022957-000	DOOR, LEFT, STAINLESS	1	EA	Not available online / Call for pricing and availability
15	026686-000	BUSHING, DOOR (BOTTOM LEFT)	1	EA	
16	021663-000	STOP, DOOR, BLACK	1	EA	
17	021711-000	SCREW	4	EA	
18	028347-000	BUCKET, MEDIUM	3	EA	
19	PS400216	GASKET, FRENCH DOOR 67003547	2	EA	
20	021763-000	GRIPPER, MEDIUM BUCKET	1	EA	
21	026687-000	BUCKET, GALLON	2	EA	
22	021764-000	GRIPPER, GALLON BUCKET	1	EA	
23	021752-000	CLOSURE, DOOR, BLACK	1	EA	
24	026688-000	BUSHING, DOOR (BOTTOM RIGHT)	1	EA	
25	021758-000	TRAY, DAIRY	1	EA	
26	021780-000	DOOR, DAIRY	1	EA	
NI	DEALER ITEM	DISH, BUTTER (CONTACT VIKING)	1	EA	

REF LINER





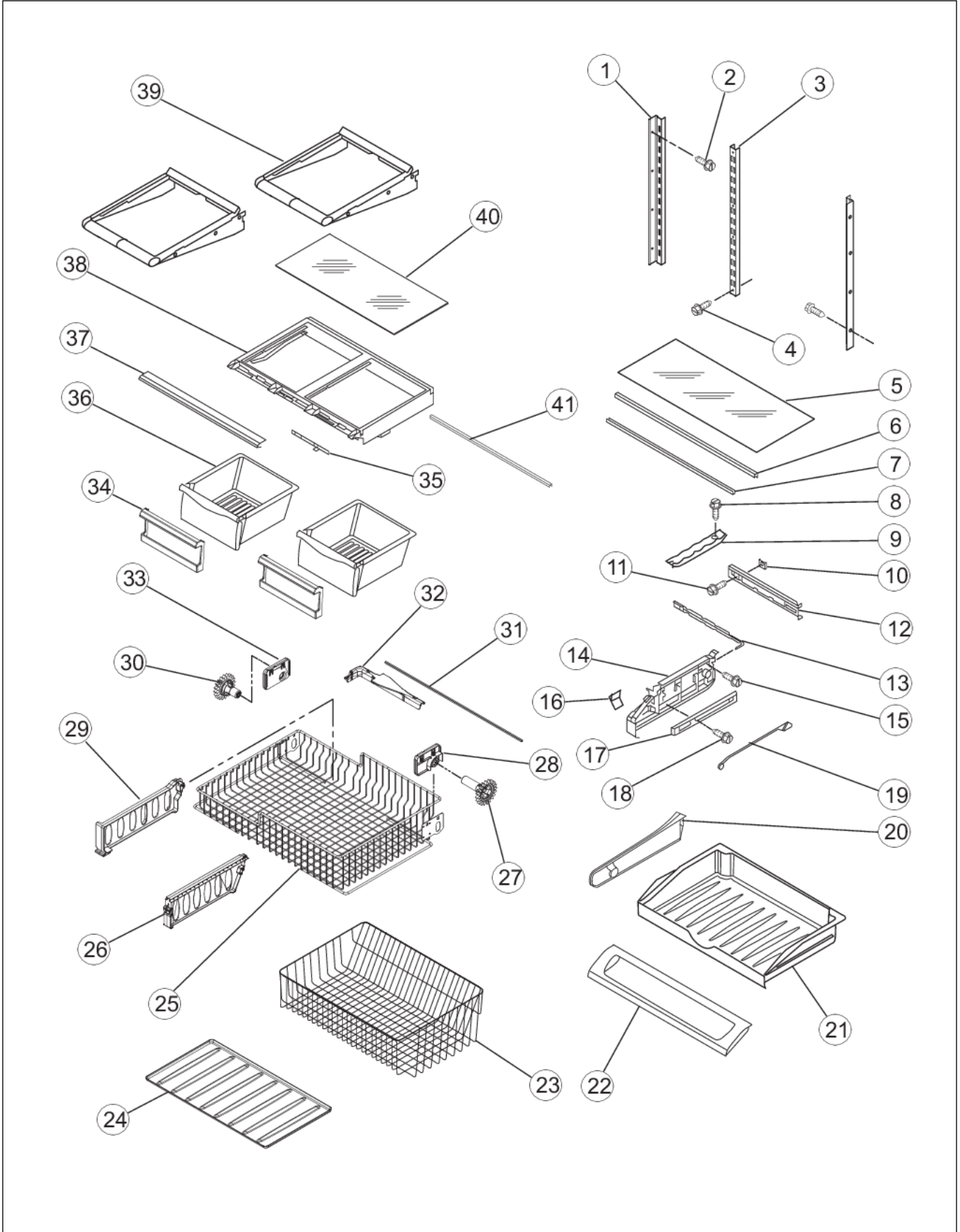
Item	Part No.	Name	Qty	Uom	NOTES
1	NON-SERVICEABLE	LINER	1	EA	
2	021681-000	PLATE	1	EA	
3	021674-000	HEAD, WATER FILTER	1	EA	
4	PS400031	COVER, FILTER	1	EA	
5	022157-000	PLUG, BYPASS	1	EA	
6	021796-000	FILTER, WATER	1	EA	
7	021682-000	TANK, WATER	1	EA	
8	021717-000	SCREW	2	EA	
9	PS400040	UNION (5/16 X 5/16)	1	EA	
10	021694-000	COVER, DAMPER	1	EA	
11	021725-000	SCREW	1	EA	Not available online / Call for pricing and availability
12	021695-000	INSERT, DAMPER COVER	1	EA	
13	021735-000	INSULATION	1	EA	
14	021819-000	CONTROL, DAMPER	1	EA	
15	011520-000	INSULATION, WATER TANK	1	EA	
16	PS400129	SCREW, SMALL (67006425)	1	EA	
17	021775-000	FACADE, DISP.	1	EA	
18	PS400037	WATER LINE CLIP (67002816)	1	EA	
19	021776-000	GUIDE, WATERLINE	1	EA	
20	021777-000	PLATE, SWITCH	1	EA	
21	021791-000	CLIP, FAÇADE	2	EA	
22	PS400035	SWITCH, LIMIT	1	EA	
23	021683-000	FAÇADE, DISPENSER (TOP)	1	EA	
24	021765-000	SOCKET, LIGHT	2	EA	
25	021955-000	BULB, LIGHT	2	EA	
26	021792-000	SWITCH, LIGHT	2	EA	
27	021781-000	LIGHT HOUSING	1	EA	
28	021691-000	MODULE, LIGHT	1	EA	
29	021826-000	OVERLAY	1	EA	
30	021692-000	HOUSING, CONTROL	1	EA	
31	022952-000	CONTROL BOARD	1	EA	





Item	Part No.	Name	Qty	Uom	NOTES
32	021693-000	COVER, LIGHT	1	EA	
NI	022840-000	HARNESS, CONTROL, REF. (INCLUDES THERMISTOR)	1	EA	

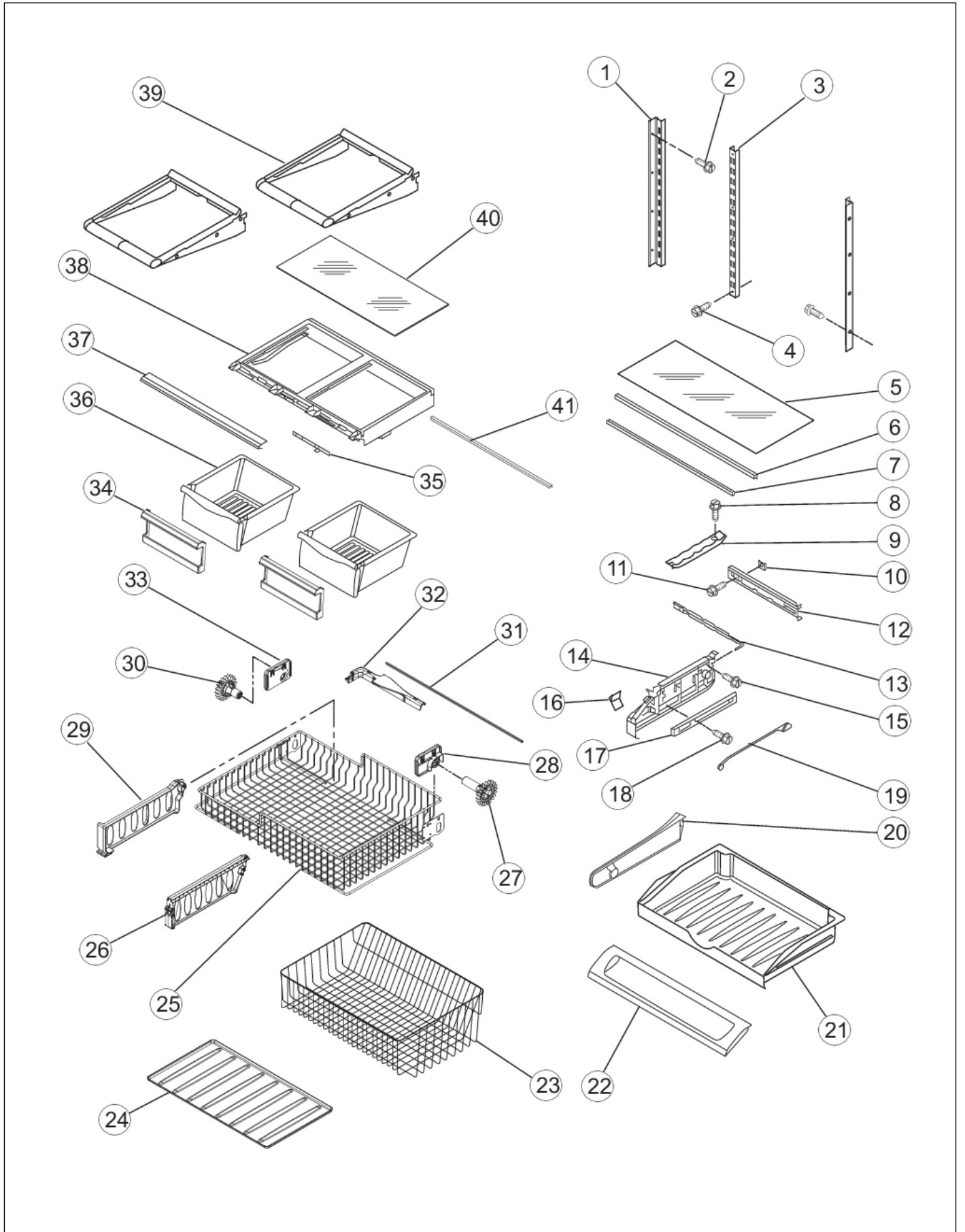
SHELF





Item	Part No.	Name	Qty	Uom	NOTES
1	021838-000	LADDER, RH / LH	2	EA	Not available online / Call for pricing and availability
2	PS400129	SCREW, SMALL (67006425)	5	EA	
3	021846-000	LADDER, CENTER	1	EA	
4	021910-000	SCREW	2	EA	
5	021664-000	GLASS, PANTRY	1	EA	
6	021773-000	SUPPORT, PANTRY	2	EA	
7	021756-000	BRACE, PANTRY	2	EA	
9	021672-000	TRACK, PANTRY	1	EA	
10	021678-000	GASKET, PANTRY	1	EA	
12	021677-000	HOUSING, CONTROL	1	EA	
13	021676-000	SLIDE TEMPERATURE	4	EA	
14	PS400076	END CAP, LH PANTRY	1	EA	
NI	PS400077	END CAP, RH PANTRY	1	EA	
15	021717-000	SCREW	4	EA	
16	021771-000	KNOB, TEMP CONTROL	1	EA	
17	021912-000	GLIDE, DRAWER	2	EA	
18	021711-000	SCREW	4	EA	
19	021675-000	ROD, TEMP CONTROL	1	EA	
20	021684-000	DIVIDER, PANTRY DRAWER	1	EA	
21	PS400087	DRAWER, PANTRY (67003530)	1	EA	
22	034508-000	DOOR, PANTRY DRAWER	1	EA	
23	021802-000	BASKET, FREEZER (LOWER)	1	EA	
24	022965-000	TRAY, LOWER BASKET	1	EA	
25	028677-000	BASKET, FREEZER (UPPER)	1	EA	
26	021803-000	DIVIDER, LOWER BASKET	1	EA	
27	021800-000	GEAR, LONG-RIGHT	1	EA	
28	026690-000	MOUNT-GEAR - RIGHT	1	EA	
29	021837-000	DIVIDER, UPPER BASKET	1	EA	
30	021805-000	GEAR, SHORT-LEFT	1	EA	
31	021782-000	SHAFT-RACK	1	EA	
32	021801-000	LIFT-BALL ARM	1	EA	



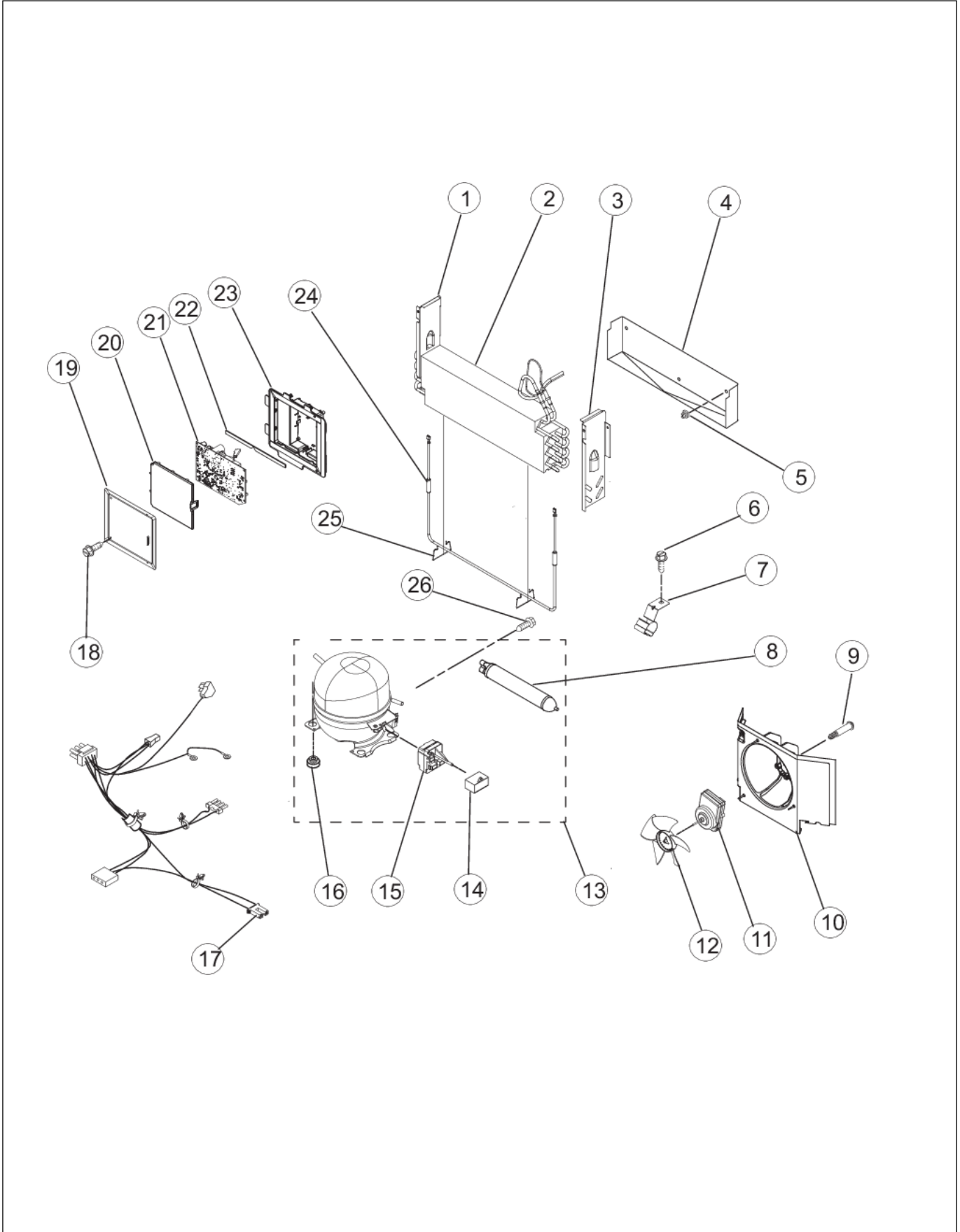






Item	Part No.	Name	Qty	Uom	NOTES
33	026691-000	MOUNT-GEAR - LEFT	1	EA	
34	021778-000	FRONT, CRISPER PAN	2	EA	
35	021760-000	SLIDE, HUMIDITY CONTROL	1	EA	
36	021761-000	CRISPER PAN	2	EA	
Comments for Part Num. 021761-000					
bradleysapplianceservice@shaw.ca on Apr 6, 2019					
SUBS TO: PS400071 CRISPER PAN (FRONT NOT INCLUDED)					
37	021832-000	TRIM, CRISPER	1	EA	
38	021762-000	FRAME, CRISPER	1	EA	
39	021668-000	GLIDE, PANTRY DRAWER	4	EA	
40	PS400067	GLASS, CRISPER (67006655)	1	EA	
41	021755-000	BRACE, CRISPER	1	EA	

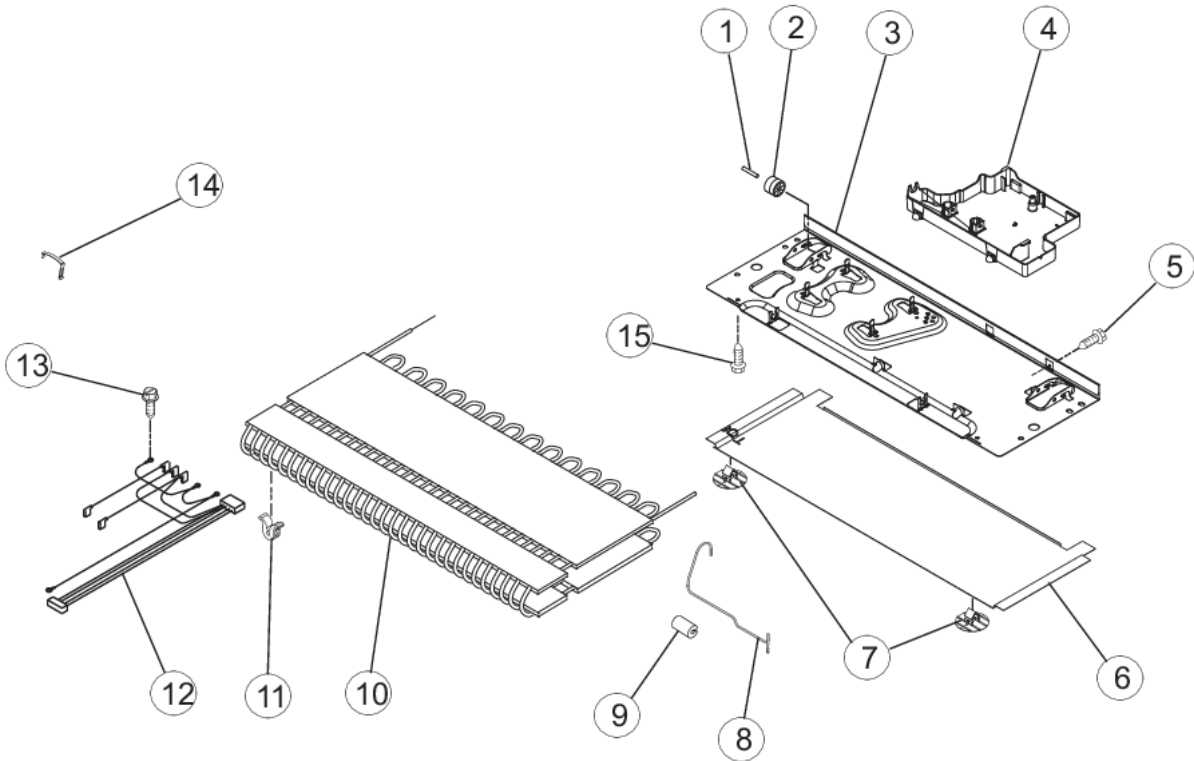
UNIT PART 1





Item	Part No.	Name	Qty	Uom	NOTES
1	021666-000	DAM, RIGHT SIDE	1	EA	
2	026689-000	EVAPORATOR	1	EA	
3	021665-000	DAM, LEFT SIDE	1	EA	
4	021885-000	TRAY, DRIP	1	EA	
5	PS400124	CLIP, EVAPORATOR	2	EA	Not available online / Call for pricing and availability
6	021726-000	SCREW	1	EA	
7	022960-000	CLIP, DRIER	1	EA	
8	021799-000	DRIER	1	EA	
9	021824-000	SCREW, SHOULDER	1	EA	
10	021810-000	SHROUD	1	EA	
11	021893-000	MOTOR, FAN	1	EA	
12	021699-000	BLADE, FAN	1	EA	
13	028673-000	COMPRESSOR	1	EA	
14	021661-000	CAPACITOR	1	EA	
15	028674-000	START DEVICE	1	EA	
16	021750-000	GROMMET	4	EA	
17	021835-000	HARNES, UNIT WITH POWER CORD	1	EA	
18	021727-000	SCREW	1	EA	
19	021707-000	COVER-CONTROL BOX	1	EA	
20	021933-000	LID, HV BOX	1	EA	
21	022962-000	BOARD, CONTROL	1	EA	
22	021706-000	GASKET, HV BOX	1	EA	
23	021839-000	BOX, HV CONTROL	1	EA	
24	021687-000	HEATER, DEFROST	1	EA	
25	011548-000	CLIP, HEATER - SUBS TO 10428101	1	EA	
26	021731-000	SCREW	1	EA	

UNIT PART 2





Item	Part No.	Name	Qty	Uom	NOTES
1	021671-000	AXLE, ROLLER	2	EA	
2	021670-000	ROLLER	2	EA	
3	021821-000	BASEPAN	1	EA	
4	021853-000	PAN, DRAIN	1	EA	
5	PS400129	SCREW, SMALL (67006425)	1	EA	
6	021817-000	EXTENSION - BASEPAN	1	EA	
7	021818-000	FASTENER - BASEPAN	2	EA	
8	028675-000	TUBE, DISCHARGE	1	EA	
9	021551-000	GROMMET, CONDENSER	1	EA	
10	028348-000	CONDENSER	1	EA	
11	011560-000	GROMMET, COND	4	EA	
12	028349-000	HARNESS, EVAP. HEATER	1	EA	
13	021731-000	SCREW	1	EA	
14	028676-000	STRAP, BALE	1	EA	
15	021743-000	SCREW	1	EA	



Appendix A:Pages Index

CABINET ..... 1  
FZ DOOR ..... 2  
FZ LINER ..... 3  
ICE MAKER ..... 4  
REF DOOR ..... 5  
REF LINER ..... 6  
SHELF ..... 7  
UNIT PART 1 ..... 8  
UNIT PART 2 ..... 9



Appendix B:Parts Index

011488-000	1	021682-000	6
011500-000	3	021683-000	6
011501-000	3	021684-000	7
011508-000	3	021685-000	1
011520-000	6	021687-000	8
011548-000	8	021688-000	1
011560-000	9	021691-000	6
011577-000	4	021692-000	6
011579-000	4	021693-000	6
011580-000	4	021694-000	6
011581-000	4	021695-000	6
011582-000	4	021696-000	3
011584-000	4	021697-000	1
011585-000	4	021699-000	8
017060-000	4	021700-000	1
017065-000	4	021703-000	4
017162-000	5	021704-000	3
021387-000	4	021706-000	8
021551-000	9	021707-000	8
021567-000	2, 5	021708-000	5
021577-000	4	021709-000	1
021661-000	8	021710-000	3
021662-000	1	021711-000	1, 5, 7
021663-000	5	021717-000	6, 7
021664-000	7	021724-000	3
021665-000	8	021725-000	6
021666-000	8	021726-000	8
021668-000	7	021727-000	8
021669-000	3	021728-000	1
021670-000	9	021729-000	4
021671-000	9	021730-000	1
021672-000	7	021731-000	8, 9
021673-000	4	021733-000	1
021674-000	6	021734-000	1
021675-000	7	021735-000	6
021676-000	7	021736-000	3
021677-000	7	021737-000	3
021678-000	7	021738-000	3
021679-000	1	021739-000	3
021681-000	6	021741-000	3
		021743-000	9



021746-000	5	021803-000	7
021747-000	5	021805-000	7
021750-000	8	021807-000	2
021751-000	5	021810-000	8
021752-000	5	021811-000	4
021755-000	7	021817-000	9
021756-000	7	021818-000	9
021758-000	5	021819-000	6
021760-000	7	021820-000	1
021761-000	7	021821-000	9
021762-000	7	021823-000	1
021763-000	5	021824-000	8
021764-000	5	021826-000	6
021765-000	3, 6	021828-000	2, 5
021767-000	1	021830-000	4
021768-000	1	021832-000	7
021769-000	1	021835-000	8
021770-000	1	021836-000	3
021771-000	7	021837-000	7
021773-000	7	021838-000	7
021775-000	6	021839-000	8
021776-000	6	021840-000	3
021777-000	6	021842-000	2, 5
021778-000	7	021846-000	7
021780-000	5	021847-000	1
021781-000	6	021848-000	1
021782-000	7	021849-000	3
021787-000	3	021850-000	3
021788-000	3	021851-000	3
021789-000	4	021852-000	3
021790-000	1	021853-000	9
021791-000	6	021866-000	3
021792-000	6	021874-000	3
021793-000	4	021877-000	3
021794-000	1	021885-000	8
021795-000	1	021893-000	8
021796-000	6	021910-000	7
021799-000	8	021912-000	7
021800-000	7	021913-000	4
021801-000	7	021917-000	3
021802-000	7	021933-000	8





021955-000	..... 3, 6	PS400067	..... 7
022061-000	..... 5	PS400076	..... 7
022071-000	..... 3	PS400077	..... 7
022157-000	..... 6	PS400087	..... 7
022171-000	..... 4	PS400090	..... 3
022840-000	..... 6	PS400091	..... 3
022952-000	..... 6	PS400092	..... 3
022953-000	..... 5	PS400097	..... 1
022954-000	..... 2, 5	PS400100	..... 3
022956-000	..... 5	PS400103	..... 1
022957-000	..... 5	PS400124	..... 8
022960-000	..... 8	PS400129	..... 1, 3, 6, 7, 9
022962-000	..... 8	PS400139	..... 3
022965-000	..... 7	PS400180	..... 1
026686-000	..... 5	PS400185	..... 1
026687-000	..... 5	PS400216	..... 5
026688-000	..... 5	PS400222	..... 5
026689-000	..... 8	PS400368	..... 4
026690-000	..... 7		
026691-000	..... 7		
026692-000	..... 3		
026700-000	..... 4		
028347-000	..... 5		
028348-000	..... 9		
028349-000	..... 9		
028580-000	..... 1		
028672-000	..... 2		
028673-000	..... 8		
028674-000	..... 8		
028675-000	..... 9		
028676-000	..... 9		
028677-000	..... 7		
034508-000	..... 7		
190896	..... 3		
PR130059	..... 4		
PS400006	..... 1		
PS400008	..... 1		
PS400031	..... 6		
PS400035	..... 6		
PS400037	..... 6		
PS400040	..... 6		