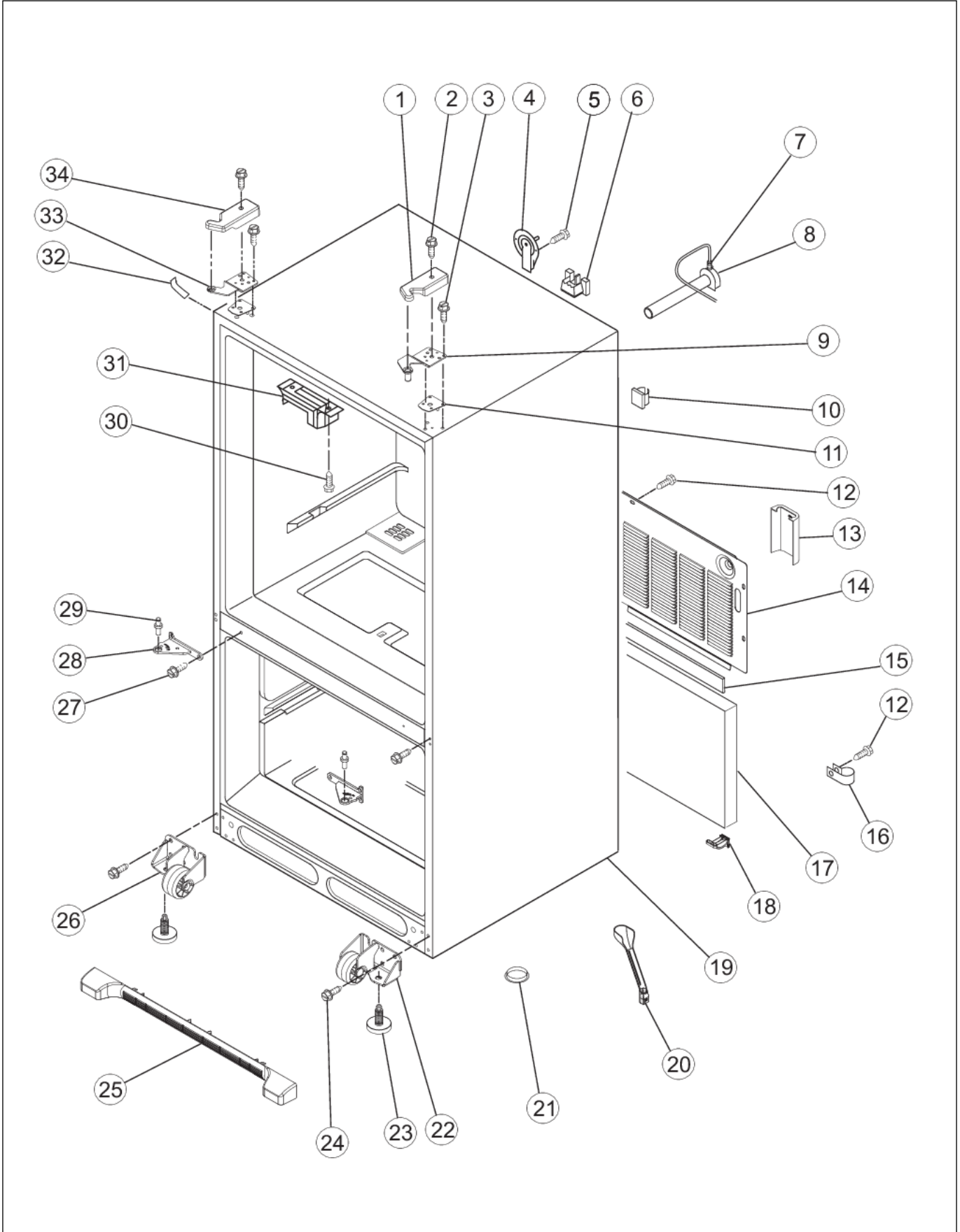


DDFF136SSS1

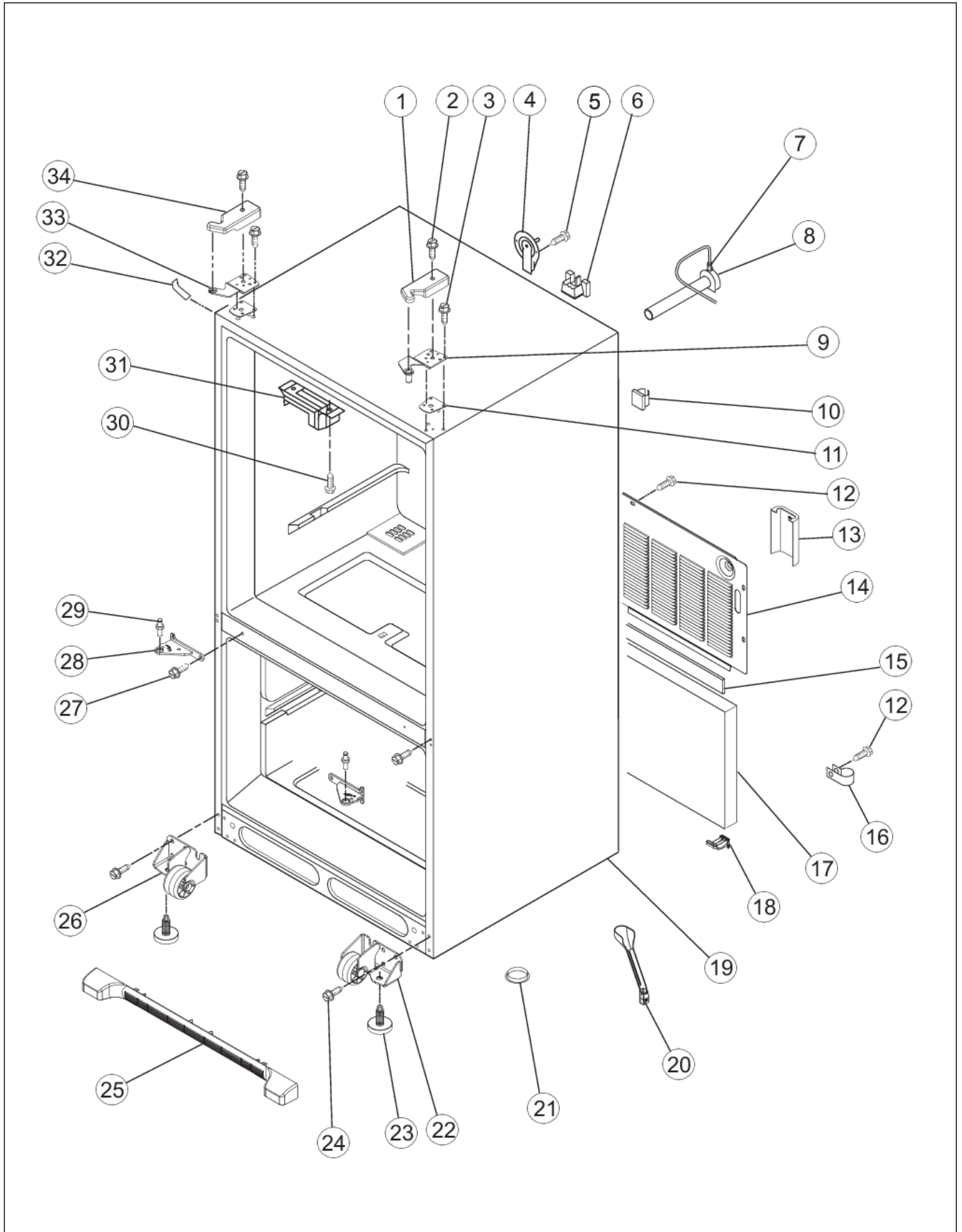
CABINET	1
FZ DOOR	2
FZ LINER	3
ICE MAKER	4
REF DOOR	5
REF LINER	6
SHELF	7
UNIT PART 1	8
UNIT PART 2	9
WIRING	10
Appendix A:Pages Index	A
Appendix B:Parts Index	B

CABINET





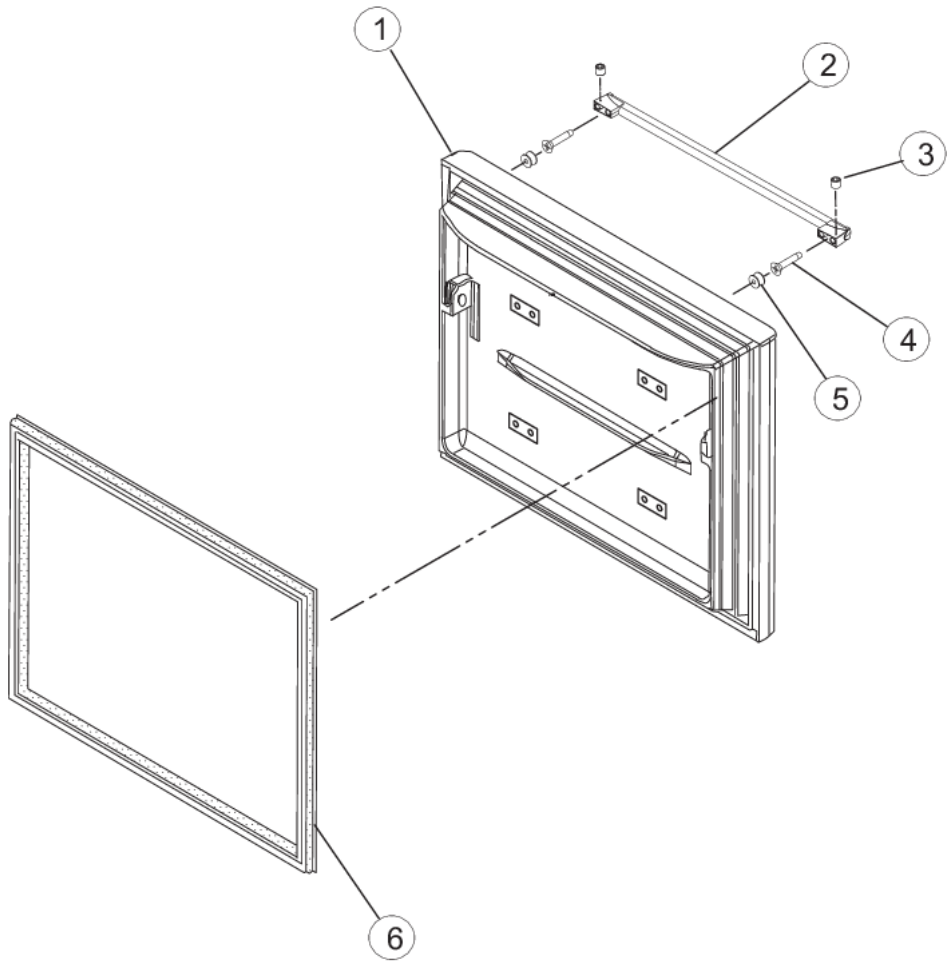
Item	Part No.	Name	Qty	Uom	NOTES
1	PS400008	COVER, RIGHT HINGE, BLACK	1	EA	
2	021734-000	SCREW	1	EA	
3	021733-000	SCREW	6	EA	
4	021685-000	COVER, WATER LINE	1	EA	Not available online / Call for pricing and availability
5	021711-000	SCREW	1	EA	
6	021688-000	BLOCK, FILL TUBE	1	EA	
7	021795-000	CLIP	1	EA	
8	PS400185	ELBOW, FILL TUBE	1	EA	
9	PS400006	HINGE, TOP RIGHT	1	EA	
10	PS400180	CLIP	2	EA	
11	PS400221	SHIM, HINGE	2	EA	
12	PS400129	SCREW, SMALL (67006425)	10	EA	
13	021820-000	COVER-WATER VALVE	1	EA	
14	021823-000	COVER, UNIT	1	EA	
15	021790-000	GASKET	1	EA	
16	021794-000	CLAMP, TUBE	1	EA	
17	021697-000	INSULATION, SOUND	1	EA	
18	021700-000	SWEEP, DUAL TUBE	1	EA	
19	NON-SERVICEABLE	CABINET	1	EA	
20	028580-000	P TRAP DRAIN	1	EA	
<p>Comments for Part Num. 028580-000</p> <p>bradleysapplianceservice@shaw.ca on Dec 9, 2016</p> <p>028580-000 NEW STYLE P-TRAP DRAIN TUBE</p>					
21	PS400097	PLUG, BUTTON	1	EA	
22	021847-000	ROLLER ASSY., FRONT RIGHT	1	EA	
23	011488-000	BRAKE, FOOT	1	EA	
24	021728-000	SCREW	8	EA	
25	PS400103	GRILLE, TOE, BLACK	1	EA	
26	021848-000	ROLLER ASSY., FRONT LEFT	1	EA	
27	021730-000	SCREW	6	EA	





Item	Part No.	Name	Qty	Uom	NOTES
28	021770-000	HINGE, CENTER, BLACK	1	EA	
29	021662-000	PIN, CENTER HINGE	1	EA	
30	021709-000	SCREW	2	EA	
31	021679-000	BLOCK, PIVOT	1	EA	
32	021767-000	COVER, CORNER, BLACK	2	EA	
33	021768-000	HINGE, TOP LEFT - SUBS TO PS400217	1	EA	
34	021769-000	COVER, LEFT HINGE, BLACK	2	EA	

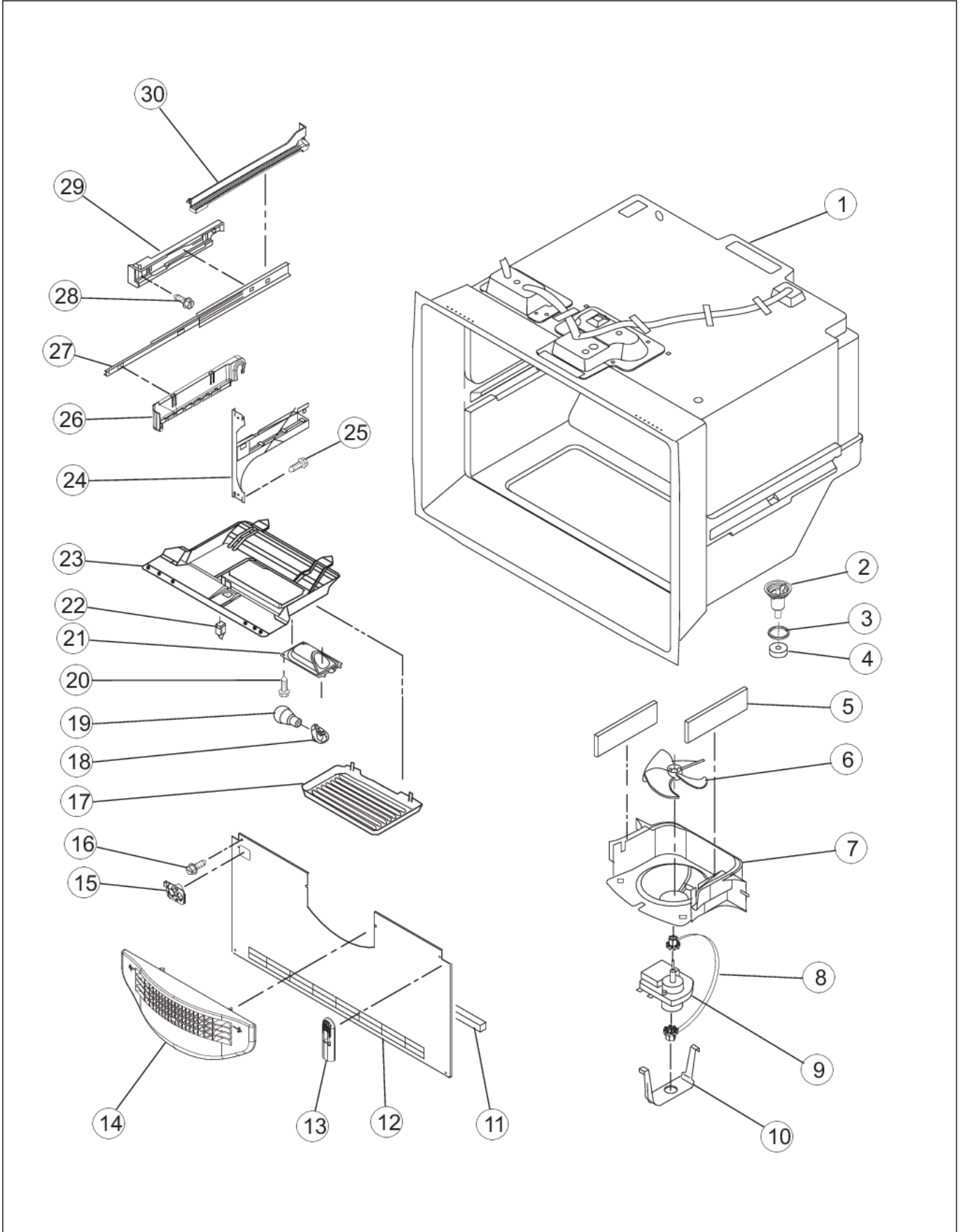
FZ DOOR



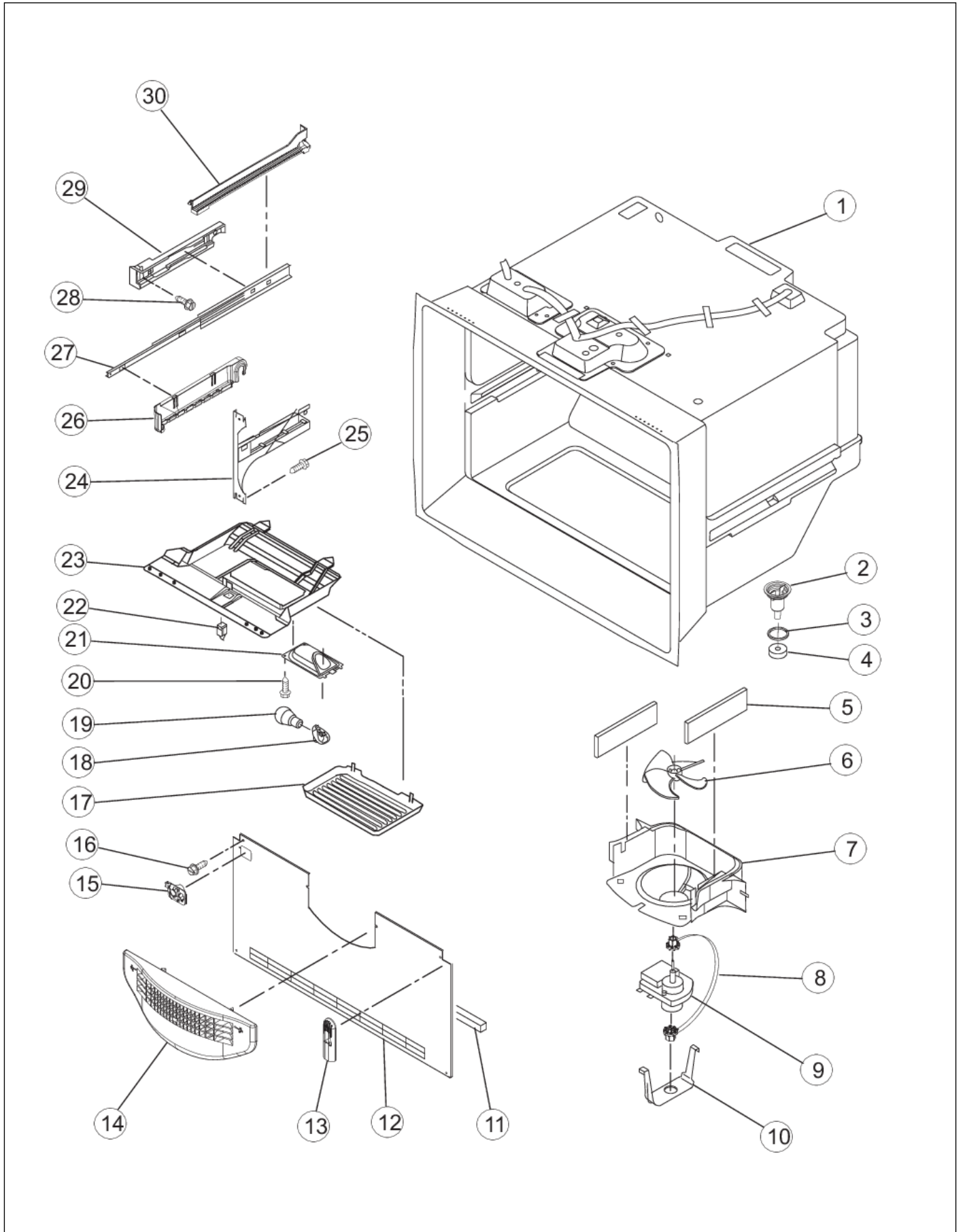


Item	Part No.	Name	Qty	Uom	NOTES
1	021421-000	DOOR, FREEZER (SS)	1	EA	
2	021842-000	HANDLE, DOOR (STAINLESS)	1	EA	
3	021828-000	SET SCREW	2	EA	
4	021844-000	SCREW, FLAT HEAD	2	EA	
5	021567-000	STUD, HANDLE	2	EA	
6	021807-000	GASKET, FREEZER DOOR (BLACK) - SUBS TO PS400028	1	EA	

FZ LINER



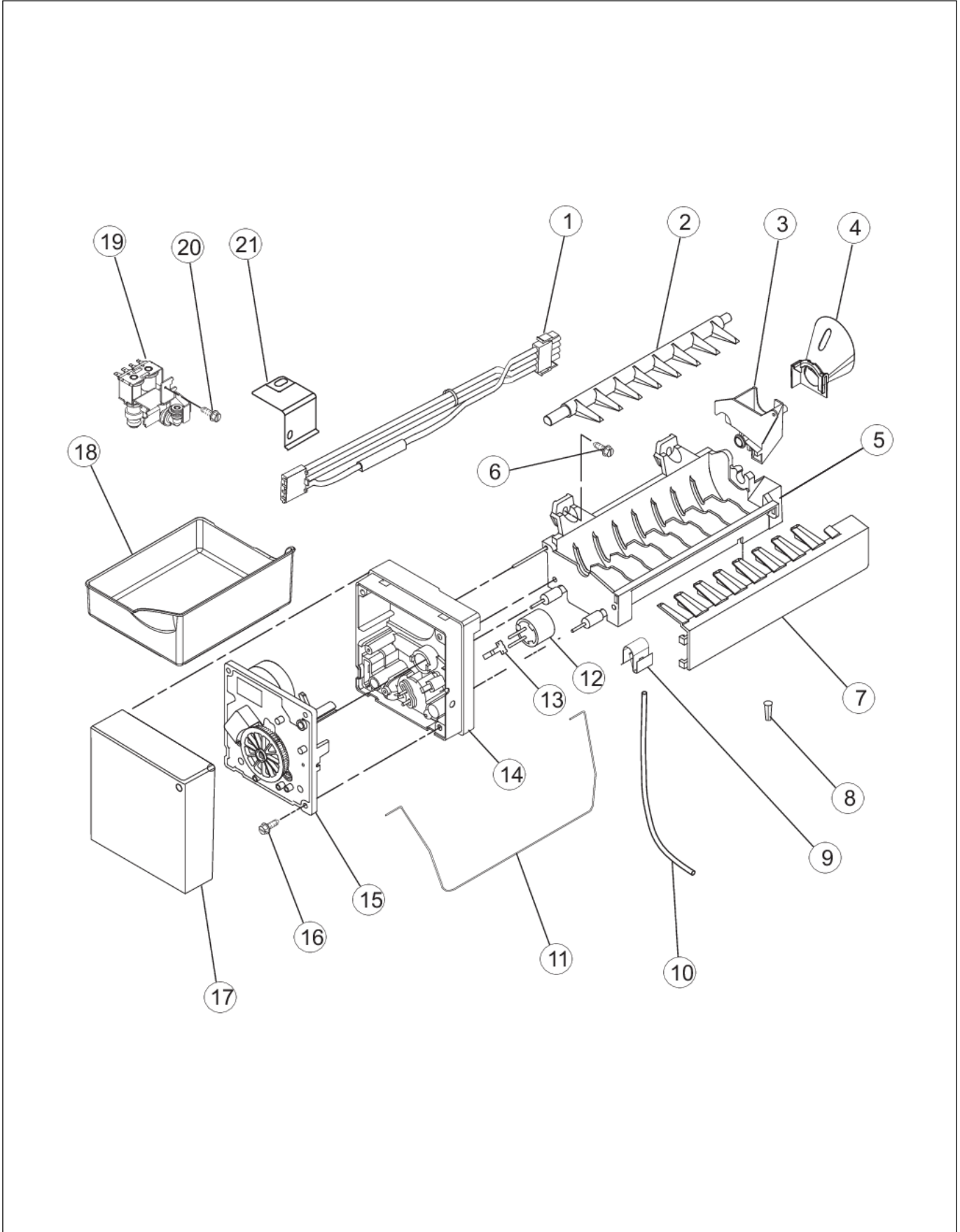
Item	Part No.	Name	Qty	Uom	NOTES
1	NON-SERVICEABLE	LINER	1	EA	
2	PS400092	FUNNEL, DRAIN	1	EA	
3	PS400091	SEAL, O-RING	1	EA	
4	PS400090	GASKET, DRAIN TUBE	1	EA	
5	021787-000	GASKET, FOAM	1	EA	
6	021741-000	BLADE, FAN (EVAPORATOR)	1	EA	
7	021738-000	SHROUD, EVAPORATOR FAN	1	EA	
8	021804-000	GROMMET	1	EA	
9	021740-000	MOTOR, EVAPORATOR	1	EA	
10	021739-000	CLIP, EVAP MOTOR	1	EA	
11	021788-000	GASKET, FOAM	1	EA	
12	021667-000	COVER, EVAPORATOR	1	EA	
13	021696-000	COVER, THERMISTOR	1	EA	
14	021736-000	GRILLE, FZ AIR	1	EA	
15	021704-000	GUIDE, FILL TUBE	1	EA	
16	PS400129	SCREW, SMALL (67006425)	4	EA	
17	021689-000	COVER, FREEZER LIGHT	1	EA	
18	021765-000	SOCKET, LIGHT	1	EA	
19	021812-000	BULB, LIGHT	1	EA	
20	021783-000	SCREW	1	EA	Not available online / Call for pricing and availability
21	021759-000	HOUSING, LIGHT	1	EA	
22	021669-000	SWITCH, LIGHT	1	EA	
23	021690-000	MODULE, FREEZER CONTROL	1	EA	Not available online / Call for pricing and availability
24	011500-000	BRACKET, DOOR, LEFT	1	EA	
24	011501-000	BRACKET, DOOR, RIGHT	1	EA	
25	021724-000	SCREW	8	EA	
26	021849-000	CRADLE, BASKET, LEFT	1	EA	
26	021850-000	CRADLE, BASKET, RIGHT	1	EA	
27	021737-000	SLIDE, DRAWER	2	EA	
28	021710-000	SCREW	6	EA	





Item	Part No.	Name	Qty	Uom	NOTES
29	021840-000	ADAPTER, SLIDE, LEFT	1	EA	
29	021841-000	ADAPTER, SLIDE - RIGHT	1	EA	
30	021851-000	RACK-SIDE-LEFT	1	EA	
30	021852-000	RACK-SLIDE, RIGHT	1	EA	
NI	021836-000	HARNESS, FZ MODULE	1	EA	

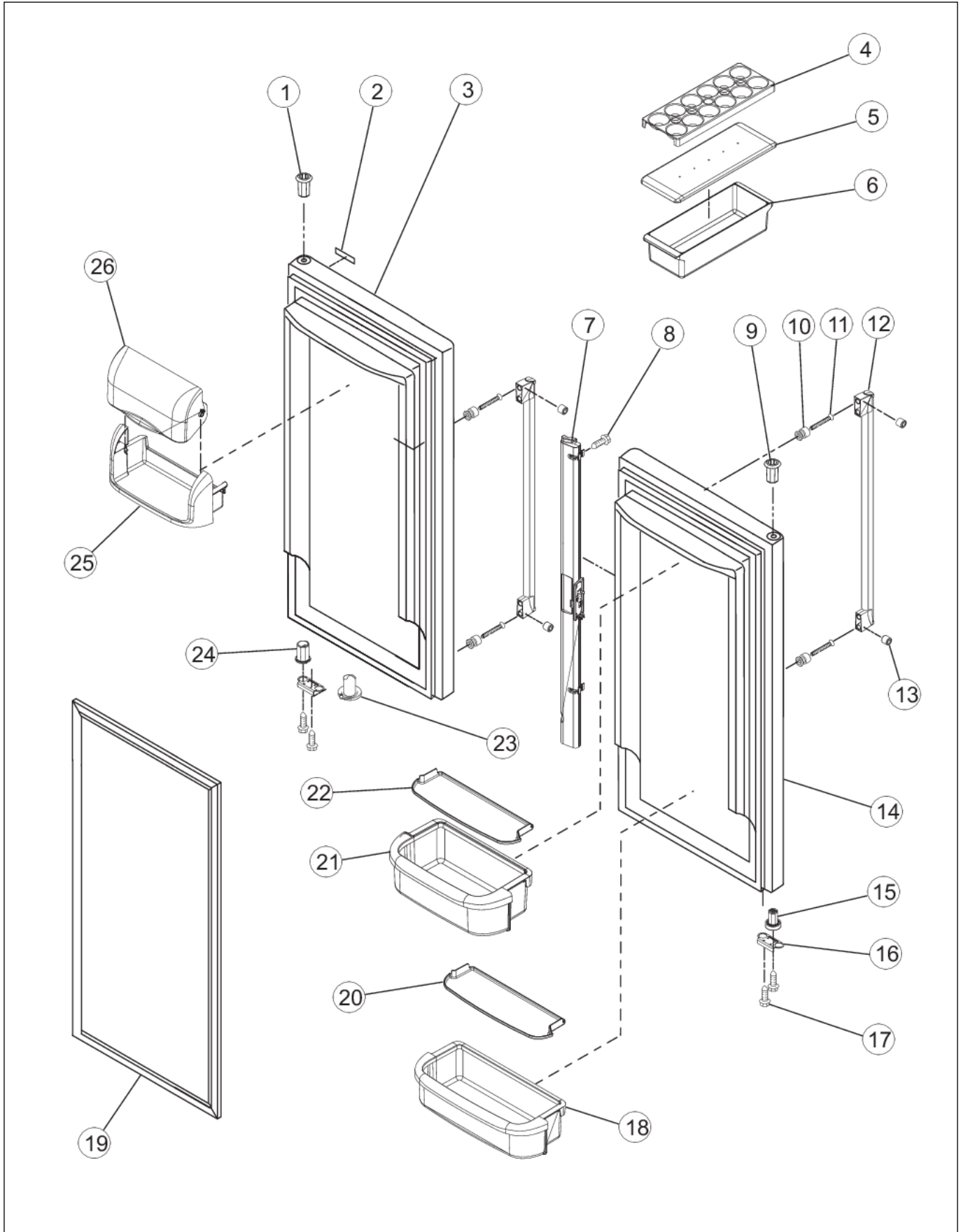
ICE MAKER





Item	Part No.	Name	Qty	Uom	NOTES
1	021793-000	HARNES, ICE MAKER	1	EA	
2	PS400199	ICE EJECTOR	1	EA	NO LONGER AVAILABLE, Not available online / Call for pricing and availability
3	011581-000	CUP. FILL	1	EA	
4	021703-000	FUNNEL, FILL TUBE	1	EA	
5	011580-000	MOLD & HEATER ASSEMBLY	1	EA	
6	011579-000	SCREW	3	EA	
7	PS400200	ICE STRIPPER	1	EA	NO LONGER AVAILABLE
8	PS400178	INSERT, TUBE	1	EA	
9	017065-000	CLIP	1	EA	
10	021789-000	TUBING, PLASTIC	1	EA	
11	021702-000	ARM, SHUTOFF	1	EA	
12	021387-000	THERMOSTAST	1	EA	
13	011585-000	RETAINER, THERMOSTAT	1	EA	
14	011584-000	SUPPORT, HOUSING	1	EA	
15	021830-000	MODULE ASSEMBLY	1	EA	
16	021577-000	SCREW	3	EA	
17	PS400368	COVER, ICE MAKER	1	EA	
18	017060-000	PAN, ICE	1	EA	
19	021673-000	VALVE, WATER INLET	1	EA	
20	021729-000	SCREW	1	EA	
21	011577-000	BRACKET, ICE MAKER	1	EA	
NI	021811-000	ICEMAKER ASSY	1	EA	

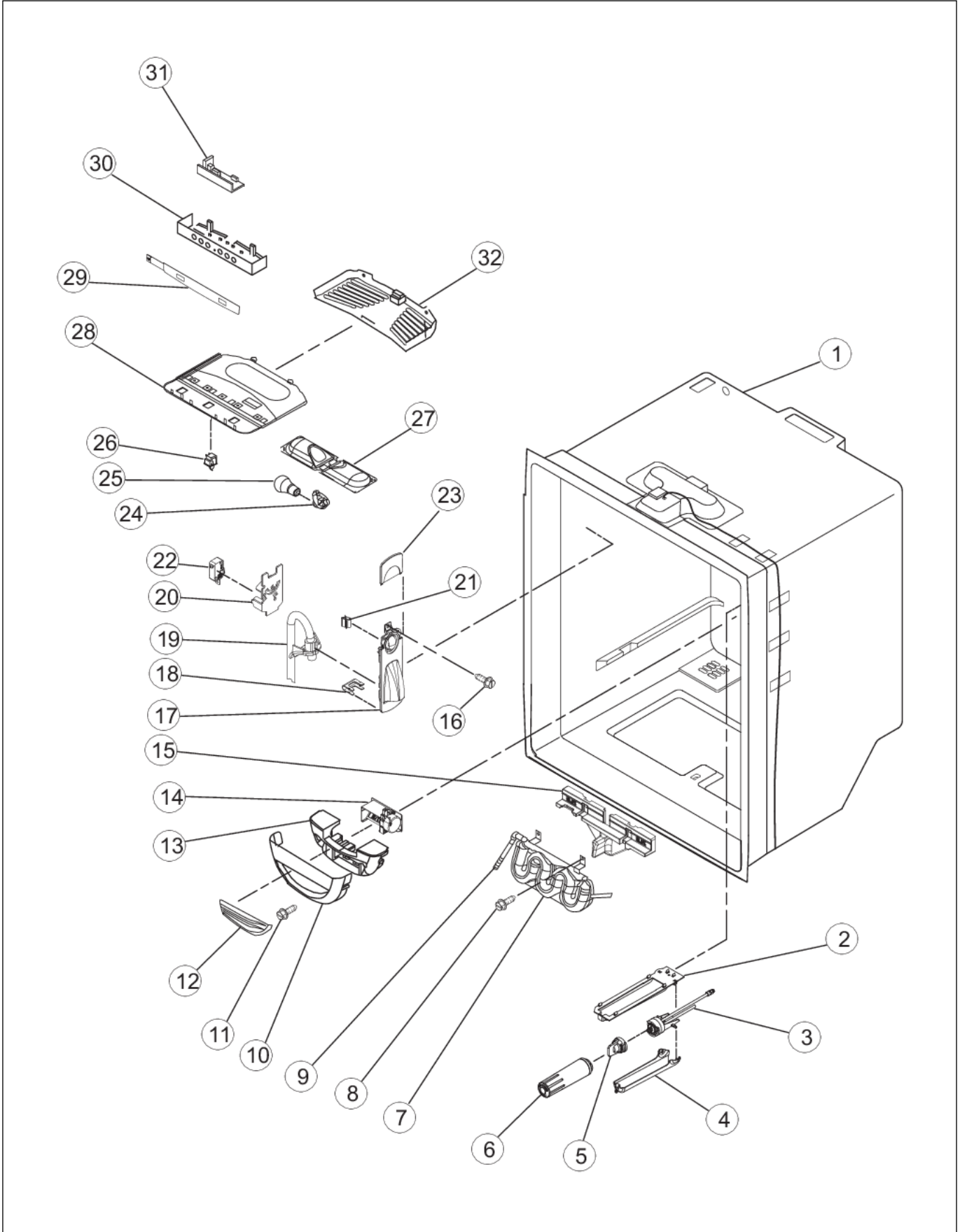
REF DOOR





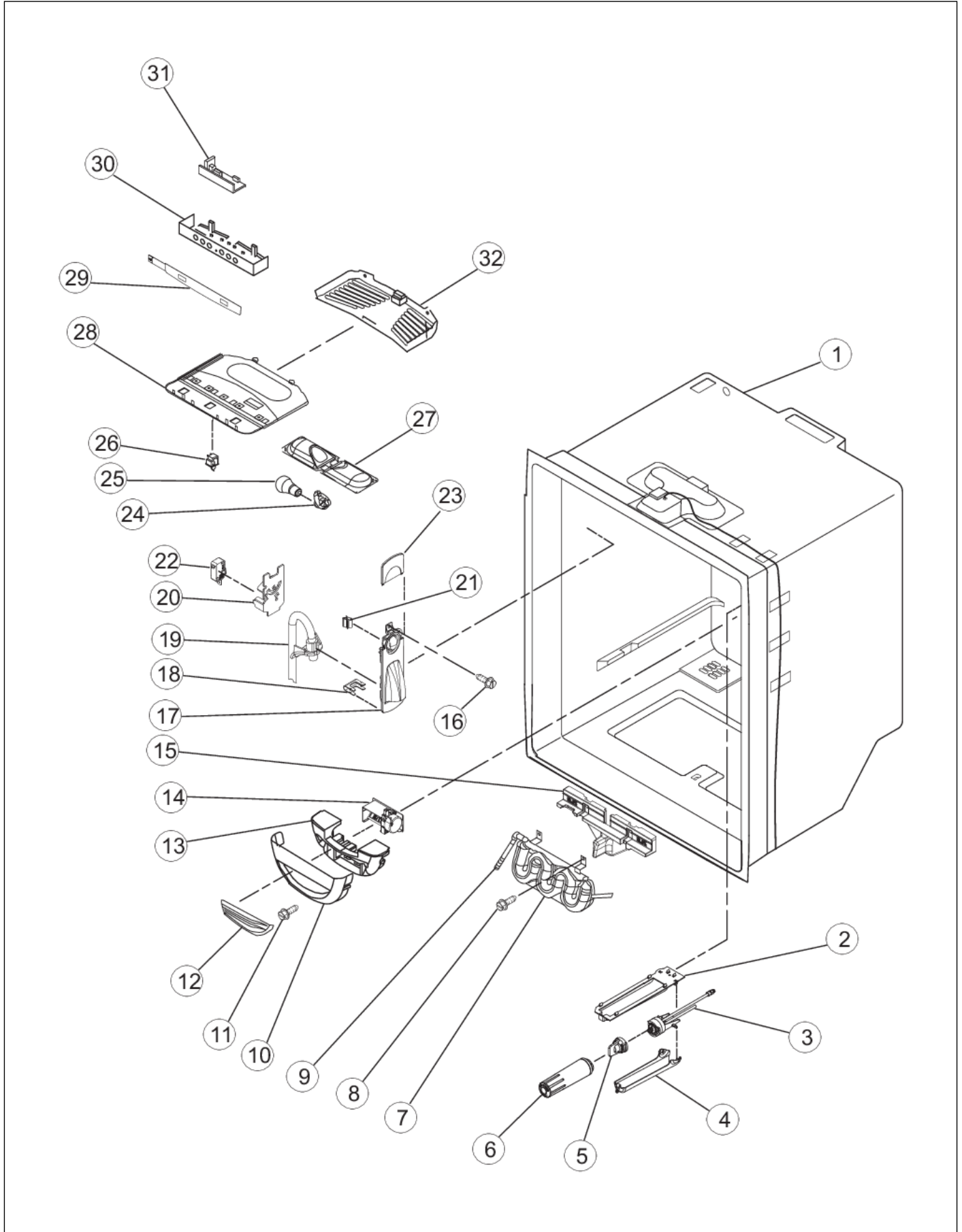
Item	Part No.	Name	Qty	Uom	NOTES
1	PS400222	BUSHING, DOOR, BLACK (UPPER LEFT)	1	EA	
2	022061-000	NAMEPLATE	1	EA	
3	021784-000	DOOR, RIGHT, STAINLESS	1	EA	
4	017162-000	TRAY, EGG	1	EA	
5	021747-000	LID, UTILITY	1	EA	NO LONGER AVAILABLE
6	021746-000	BIN, UTILITY	1	EA	
7	021779-000	MULLION, DOOR, BLACK	1	EA	
8	021708-000	SCREW	1	EA	
9	021751-000	BUSHING, DOOR, BLACK (UPPER RIGHT)	1	EA	
10	021567-000	STUD, HANDLE	4	EA	
11	021844-000	SCREW, FLAT HEAD	4	EA	
12	021842-000	HANDLE, DOOR (STAINLESS)	1	EA	
13	021828-000	SET SCREW	4	EA	
14	021785-000	DOOR, LEFT, STAINLESS	1	EA	
15	021774-000	BUSHING, DOOR (BOTTOM LEFT)	1	EA	
16	021663-000	STOP, DOOR, BLACK	1	EA	
17	021711-000	SCREW	1	EA	
18	021680-000	BIN, SHELF (GAL-W/GRIPPER)	2	EA	
19	PS400216	GASKET, FRENCH DOOR 67003547	2	EA	
20	021764-000	GRIPPER, GALLON BUCKET	1	EA	
21	021701-000	BIN, SHELF (MED-W/GRIPPER)	3	EA	
22	021763-000	GRIPPER, MEDIUM BUCKET	1	EA	
23	021752-000	CLOSURE, DOOR, BLACK	1	EA	
24	021753-000	BUSHING, DOOR (BOTTOM RIGHT)	1	EA	
25	021758-000	TRAY, DAIRY	1	EA	
26	021780-000	DOOR, DAIRY	1	EA	

REF LINER





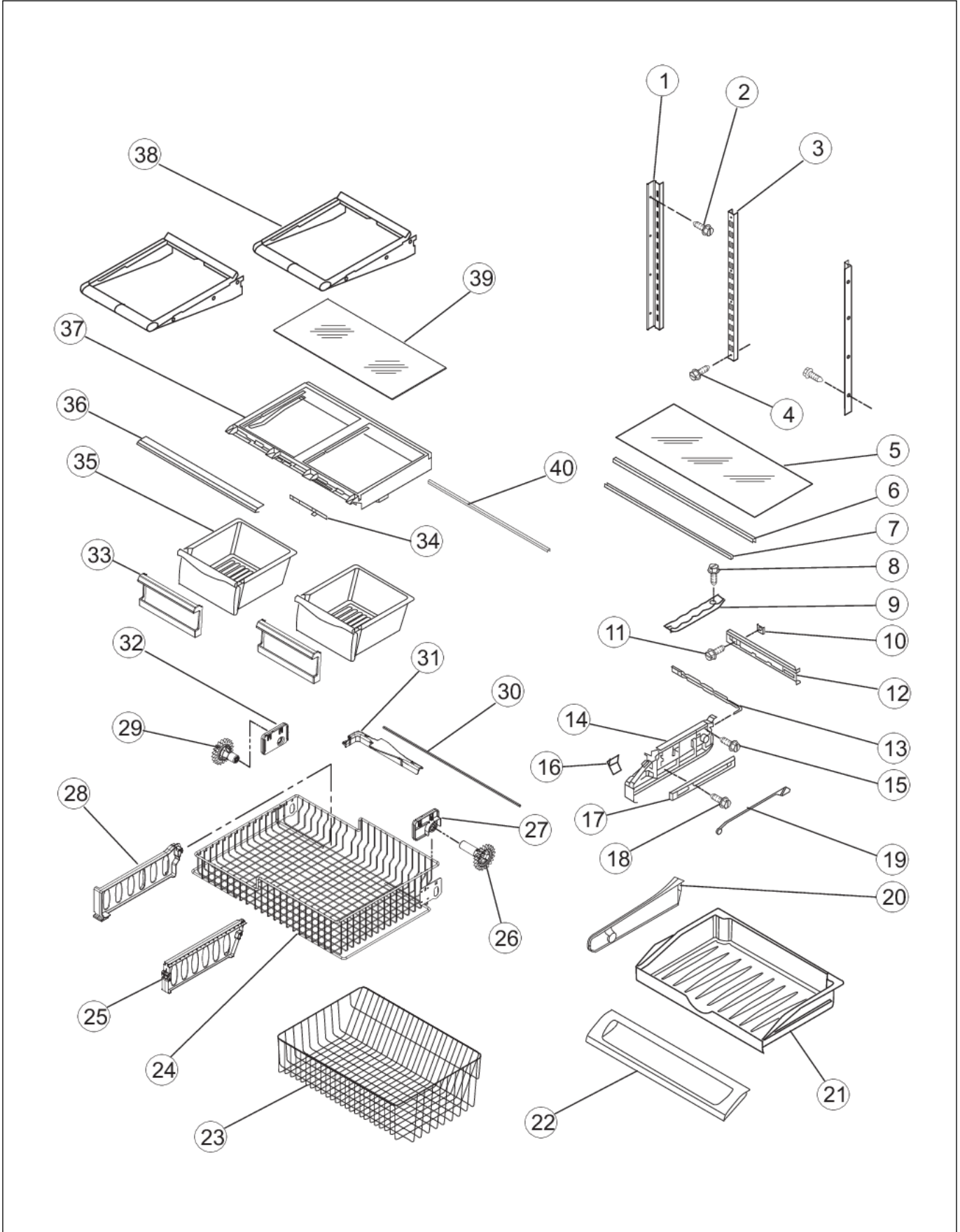
Item	Part No.	Name	Qty	Uom	NOTES
1	NON-SERVICEABLE	LINER	1	EA	
2	021681-000	PLATE	1	EA	
3	021674-000	HEAD, WATER FILTER	1	EA	
4	PS400031	COVER, FILTER	1	EA	
5	021742-000	PLUG, BYPASS	1	EA	
6	SALES ITEM	FILTER, WATER	1	EA	
7	021682-000	TANK, WATER	1	EA	
8	021717-000	SCREW	2	EA	
9	PS400040	UNION (5/16 X 5/16)	1	EA	
10	021694-000	COVER, DAMPER	1	EA	
11	021725-000	SCREW	1	EA	Not available online / Call for pricing and availability
12	021695-000	INSERT, DAMPER COVER	1	EA	
13	021735-000	INSULATION	1	EA	
14	021819-000	CONTROL, DAMPER	1	EA	
15	011520-000	INSULATION, WATER TANK	1	EA	
16	PS400129	SCREW, SMALL (67006425)	1	EA	
17	021775-000	FACADE, DISP.	1	EA	
18	PS400037	WATER LINE CLIP (67002816)	1	EA	
19	021776-000	GUIDE, WATERLINE	1	EA	
20	021777-000	PLATE, SWITCH	1	EA	
21	021791-000	CLIP, FAÇADE	2	EA	
22	PS400035	SWITCH, LIMIT	1	EA	
23	021683-000	FAÇADE, DISPENSER (TOP)	1	EA	
24	021765-000	SOCKET, LIGHT	2	EA	
25	021812-000	BULB, LIGHT	2	EA	
26	021792-000	SWITCH, LIGHT	2	EA	
27	021781-000	LIGHT HOUSING	1	EA	
28	021691-000	MODULE, LIGHT	1	EA	
29	021826-000	OVERLAY	1	EA	
30	021692-000	HOUSING, CONTROL	1	EA	
31	022952-000	CONTROL BOARD	1	EA	





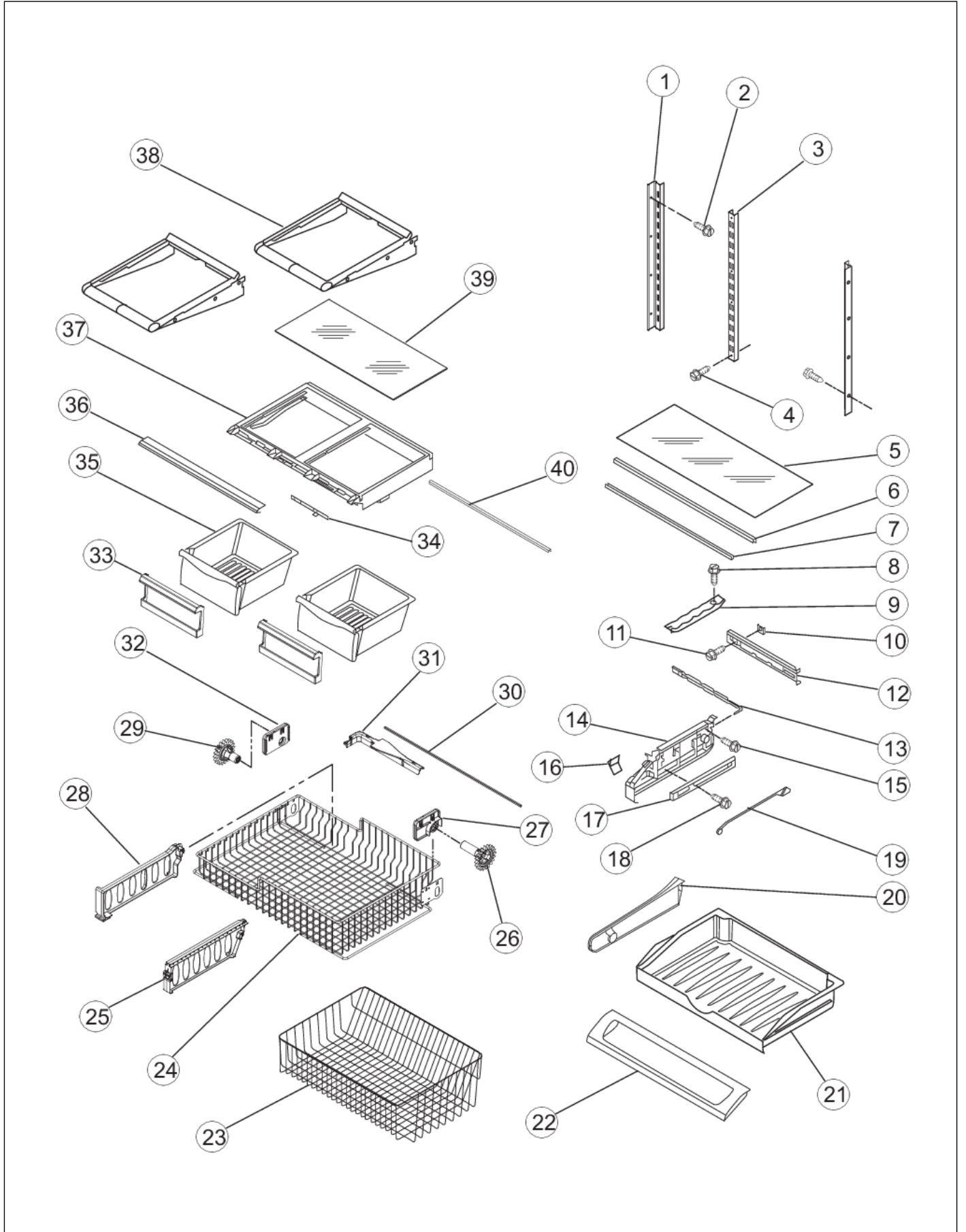
Item	Part No.	Name	Qty	Uom	NOTES
32	021693-000	COVER, LIGHT	1	EA	

SHELF





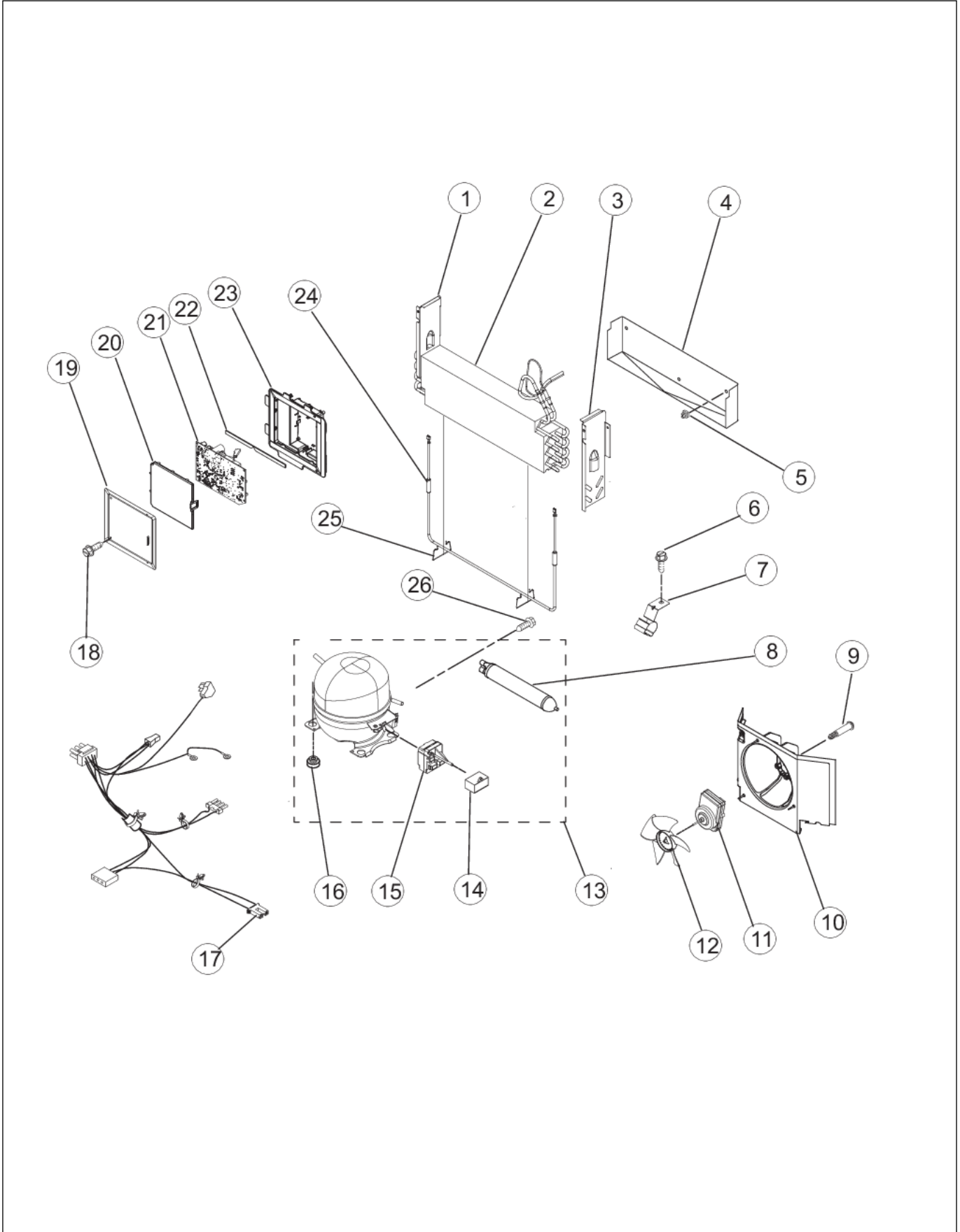
Item	Part No.	Name	Qty	Uom	NOTES
1	021838-000	LADDER, RH / LH	2	EA	Not available online / Call for pricing and availability
2	PS400129	SCREW, SMALL (67006425)	5	EA	
3	021846-000	LADDER, CENTER	1	EA	
4	021723-000	SCREW	2	EA	
5	021664-000	GLASS, PANTRY	1	EA	
6	021773-000	SUPPORT, PANTRY	2	EA	
7	021756-000	BRACE, PANTRY	2	EA	
8	PS400129	SCREW, SMALL (67006425)	1	EA	
9	021672-000	TRACK, PANTRY	1	EA	
10	021678-000	GASKET, PANTRY	1	EA	
11	PS400129	SCREW, SMALL (67006425)	1	EA	
12	021677-000	HOUSING, CONTROL	1	EA	
13	021676-000	SLIDE TEMPERATURE	4	EA	
14	PS400076	END CAP, LH PANTRY	1	EA	
NI	PS400077	END CAP, RH PANTRY	1	EA	
15	021717-000	SCREW	4	EA	
16	021771-000	KNOB, TEMP CONTROL	1	EA	
17	021786-000	GLIDE, DRAWER	2	EA	
18	021711-000	SCREW	4	EA	
19	021675-000	ROD, TEMP CONTROL	1	EA	
20	021684-000	DIVIDER, PANTRY DRAWER	1	EA	
21	PS400087	DRAWER, PANTRY (67003530)	1	EA	
22	034508-000	DOOR, PANTRY DRAWER	1	EA	
23	021802-000	BASKET, FREEZER (LOWER)	1	EA	
24	021809-000	BASKET, FREEZER (UPPER)	1	EA	
25	021803-000	DIVIDER, LOWER BASKET	1	EA	
26	021800-000	GEAR, LONG-RIGHT	1	EA	
27	021834-000	MOUNT-GEAR - RIGHT	1	EA	
28	021837-000	DIVIDER, UPPER BASKET	1	EA	
29	021805-000	GEAR, SHORT-LEFT	1	EA	
30	021782-000	SHAFT-RACK	1	EA	





Item	Part No.	Name	Qty	Uom	NOTES
31	021801-000	LIFT-BALL ARM	1	EA	
32	021833-000	MOUNT-GEAR - LEFT	1	EA	
33	021778-000	FRONT, CRISPER PAN	2	EA	
34	021760-000	SLIDE, HUMIDITY CONTROL	1	EA	
35	021761-000	CRISPER PAN	2	EA	
Comments for Part Num. 021761-000					
bradleysapplianceservice@shaw.ca on Apr 6, 2019					
SUBS TO: PS400071 CRISPER PAN (FRONT NOT INCLUDED)					
36	021832-000	TRIM, CRISPER	1	EA	
37	021762-000	FRAME, CRISPER	1	EA	
38	021668-000	GLIDE, PANTRY DRAWER	4	EA	
39	PS400067	GLASS, CRISPER (67006655)	1	EA	
40	021755-000	BRACE, CRISPER	1	EA	

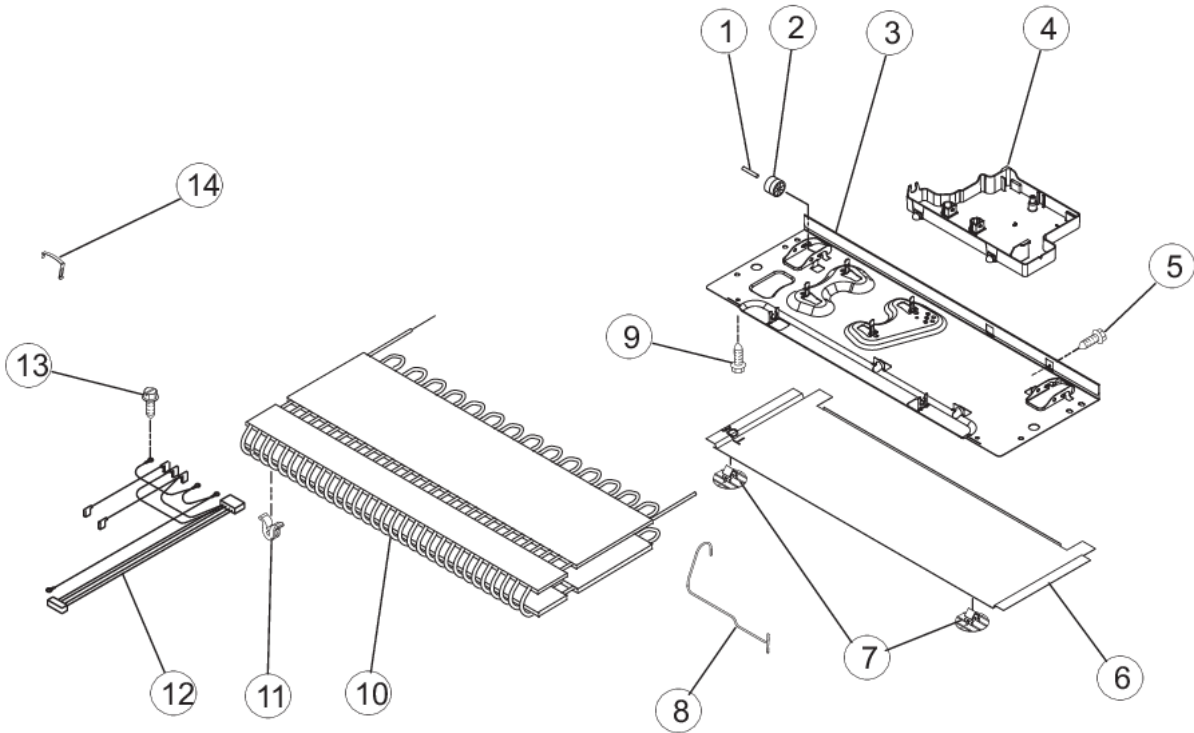
UNIT PART 1





Item	Part No.	Name	Qty	Uom	NOTES
1	021666-000	DAM, RIGHT SIDE	1	EA	
2	PS400133	EVAPORATOR KIT (INC. EVAP, HT. SHLD, & INST.) (12002041)	1	EA	
3	021665-000	DAM, LEFT SIDE	1	EA	
4	021754-000	TRAY, DRIP	1	EA	
5	PS400124	CLIP, EVAPORATOR	2	EA	Not available online / Call for pricing and availability
6	021726-000	SCREW	1	EA	
7	011556-000	CLIP, DRIER	1	EA	
8	021799-000	DRIER	1	EA	
9	021824-000	SCREW, SHOULDER	1	EA	
10	021810-000	SHROUD	1	EA	
11	021893-000	MOTOR, FAN	1	EA	
12	021699-000	BLADE, FAN	1	EA	
13	021797-000	COMPRESSOR KIT	1	EA	
14	021661-000	CAPACITOR	1	EA	
15	021814-000	START DEVICE	1	EA	
16	021750-000	GROMMET	4	EA	
17	021835-000	HARNES, UNIT WITH POWER CORD	1	EA	
18	021727-000	SCREW	1	EA	
19	021707-000	COVER-CONTROL BOX	1	EA	
20	021705-000	LID, HV BOX	1	EA	
21	022962-000	BOARD, CONTROL	1	EA	
22	021706-000	GASKET, HV BOX	1	EA	
23	021839-000	BOX, HV CONTROL	1	EA	
24	021687-000	HEATER, DEFROST	1	EA	
25	011548-000	CLIP, HEATER - SUBS TO 10428101	1	EA	
26	021731-000	SCREW	1	EA	

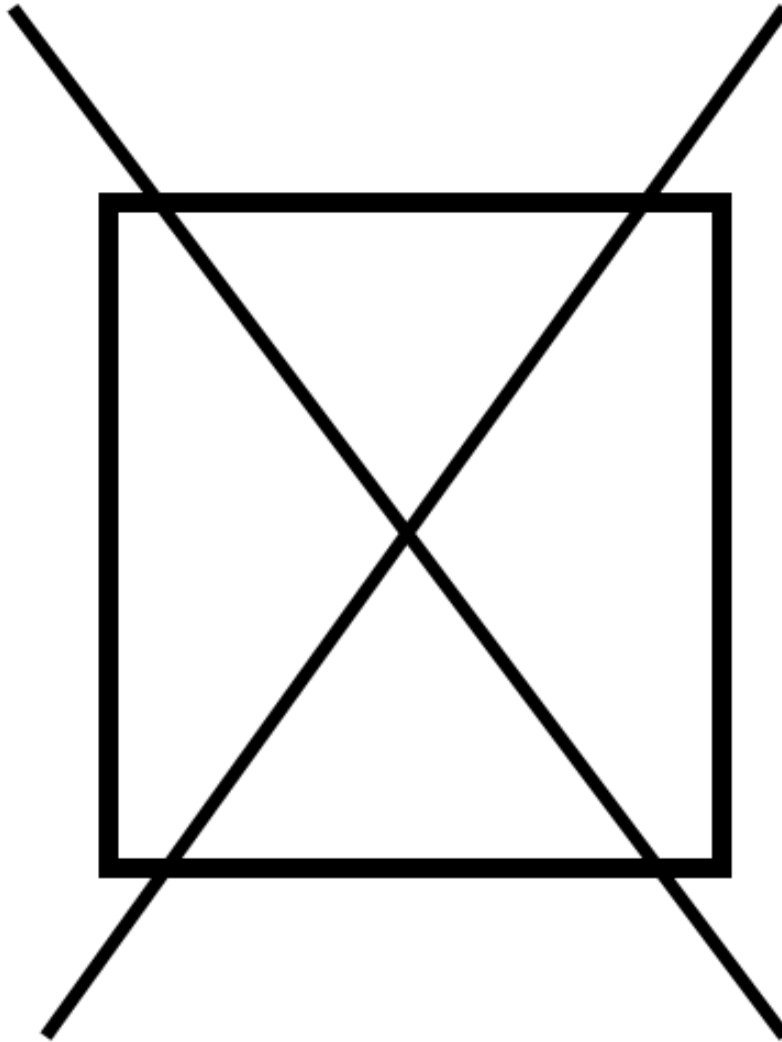
UNIT PART 2





Item	Part No.	Name	Qty	Uom	NOTES
1	021671-000	AXLE, ROLLER	2	EA	
2	021670-000	ROLLER	2	EA	
3	021821-000	BASEPAN	1	EA	
4	021853-000	PAN, DRAIN	1	EA	
5	PS400129	SCREW, SMALL (67006425)	1	EA	
6	021817-000	EXTENSION - BASEPAN	1	EA	
7	021818-000	FASTENER - BASEPAN	2	EA	
8	021827-000	TUBE, DISCHARGE	1	EA	
9	021743-000	SCREW	1	EA	
10	021798-000	CONDENSER	1	EA	
11	011560-000	GROMMET, COND	4	EA	
12	021831-000	HARNESS, EVAP. HEATER	1	EA	
13	021731-000	SCREW	1	EA	
14	021815-000	STRAP - BALE	1	EA	

NON ILLUSTRATED PART





Item	Part No.	Name	Qty	Uom	NOTES
NI	022840-000	HARNESS, CONTROL, REF. (INCLUDES THERMISTOR)	1	EA	



Appendix A:Pages Index

CABINET 1
FZ DOOR 2
FZ LINER 3
ICE MAKER 4
REF DOOR 5
REF LINER 6
SHELF 7
UNIT PART 1 8
UNIT PART 2 9
WIRING 10



Appendix B:Parts Index

011488-000	1	021681-000	6
011500-000	3	021682-000	6
011501-000	3	021683-000	6
011520-000	6	021684-000	7
011548-000	8	021685-000	1
011556-000	8	021687-000	8
011560-000	9	021688-000	1
011577-000	4	021689-000	3
011579-000	4	021690-000	3
011580-000	4	021691-000	6
011581-000	4	021692-000	6
011584-000	4	021693-000	6
011585-000	4	021694-000	6
017060-000	4	021695-000	6
017065-000	4	021696-000	3
017162-000	5	021697-000	1
021387-000	4	021699-000	8
021421-000	2	021700-000	1
021567-000	2, 5	021701-000	5
021577-000	4	021702-000	4
021661-000	8	021703-000	4
021662-000	1	021704-000	3
021663-000	5	021705-000	8
021664-000	7	021706-000	8
021665-000	8	021707-000	8
021666-000	8	021708-000	5
021667-000	3	021709-000	1
021668-000	7	021710-000	3
021669-000	3	021711-000	1, 5, 7
021670-000	9	021717-000	6, 7
021671-000	9	021723-000	7
021672-000	7	021724-000	3
021673-000	4	021725-000	6
021674-000	6	021726-000	8
021675-000	7	021727-000	8
021676-000	7	021728-000	1
021677-000	7	021729-000	4
021678-000	7	021730-000	1
021679-000	1	021731-000	8, 9
021680-000	5	021733-000	1
		021734-000	1



021735-000	6	021783-000	3
021736-000	3	021784-000	5
021737-000	3	021785-000	5
021738-000	3	021786-000	7
021739-000	3	021787-000	3
021740-000	3	021788-000	3
021741-000	3	021789-000	4
021742-000	6	021790-000	1
021743-000	9	021791-000	6
021746-000	5	021792-000	6
021747-000	5	021793-000	4
021750-000	8	021794-000	1
021751-000	5	021795-000	1
021752-000	5	021797-000	8
021753-000	5	021798-000	9
021754-000	8	021799-000	8
021755-000	7	021800-000	7
021756-000	7	021801-000	7
021758-000	5	021802-000	7
021759-000	3	021803-000	7
021760-000	7	021804-000	3
021761-000	7	021805-000	7
021762-000	7	021807-000	2
021763-000	5	021809-000	7
021764-000	5	021810-000	8
021765-000	3, 6	021811-000	4
021767-000	1	021812-000	3, 6
021768-000	1	021814-000	8
021769-000	1	021815-000	9
021770-000	1	021817-000	9
021771-000	7	021818-000	9
021773-000	7	021819-000	6
021774-000	5	021820-000	1
021775-000	6	021821-000	9
021776-000	6	021823-000	1
021777-000	6	021824-000	8
021778-000	7	021826-000	6
021779-000	5	021827-000	9
021780-000	5	021828-000	2, 5
021781-000	6	021830-000	4
021782-000	7	021831-000	9



021832-000	7	PS400103	1
021833-000	7	PS400124	8
021834-000	7	PS400129	1, 3, 6, 7, 7, 7, 9
021835-000	8	PS400133	8
021836-000	3	PS400178	4
021837-000	7	PS400180	1
021838-000	7	PS400185	1
021839-000	8	PS400199	4
021840-000	3	PS400200	4
021841-000	3	PS400216	5
021842-000	2, 5	PS400221	1
021844-000	2, 5	PS400222	5
021846-000	7	PS400368	4
021847-000	1		
021848-000	1		
021849-000	3		
021850-000	3		
021851-000	3		
021852-000	3		
021853-000	9		
021893-000	8		
022061-000	5		
022840-000	10		
022952-000	6		
022962-000	8		
028580-000	1		
034508-000	7		
PS400006	1		
PS400008	1		
PS400031	6		
PS400035	6		
PS400037	6		
PS400040	6		
PS400067	7		
PS400076	7		
PS400077	7		
PS400087	7		
PS400090	3		
PS400091	3		
PS400092	3		
PS400097	1		