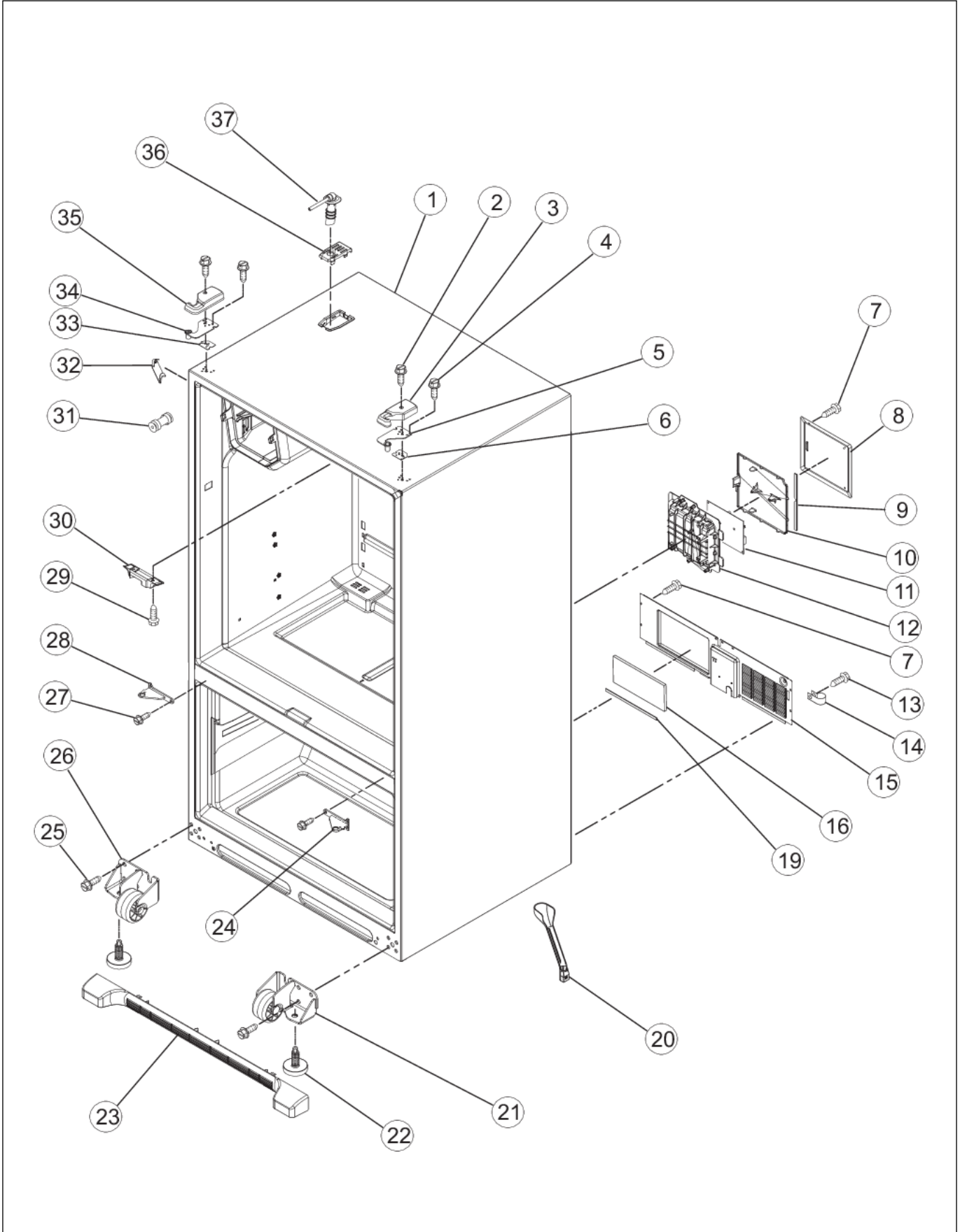


DDFF136DSS2

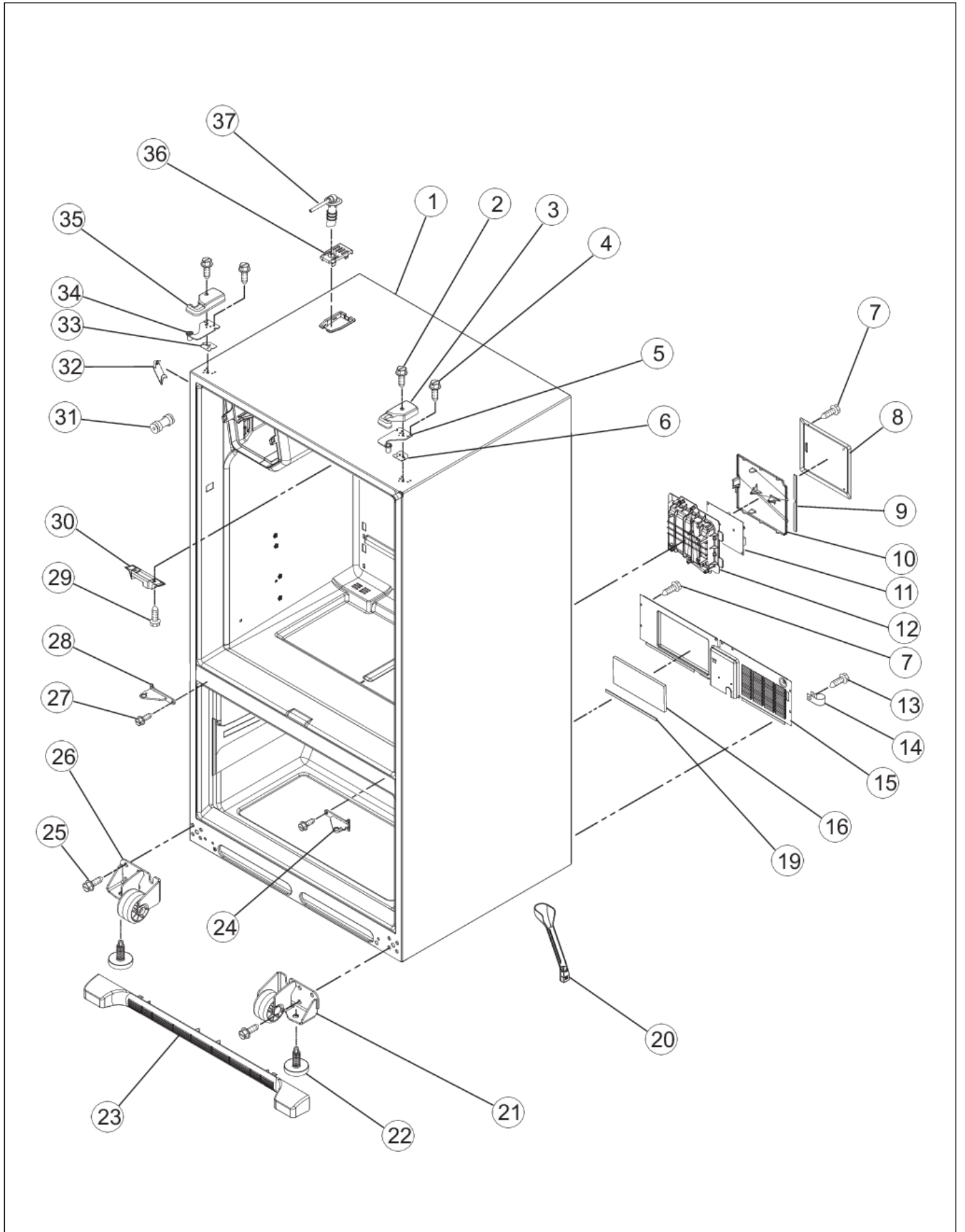
CABINET	1
DISP.	2
FZ DOOR	3
FZ LINER	4
ICE MAKER	5
MOTOR	6
REF DOOR	7
REF LINER	8
SHELF	9
UNIT	10
Appendix A:Pages Index	A
Appendix B:Parts Index	B

CABINET





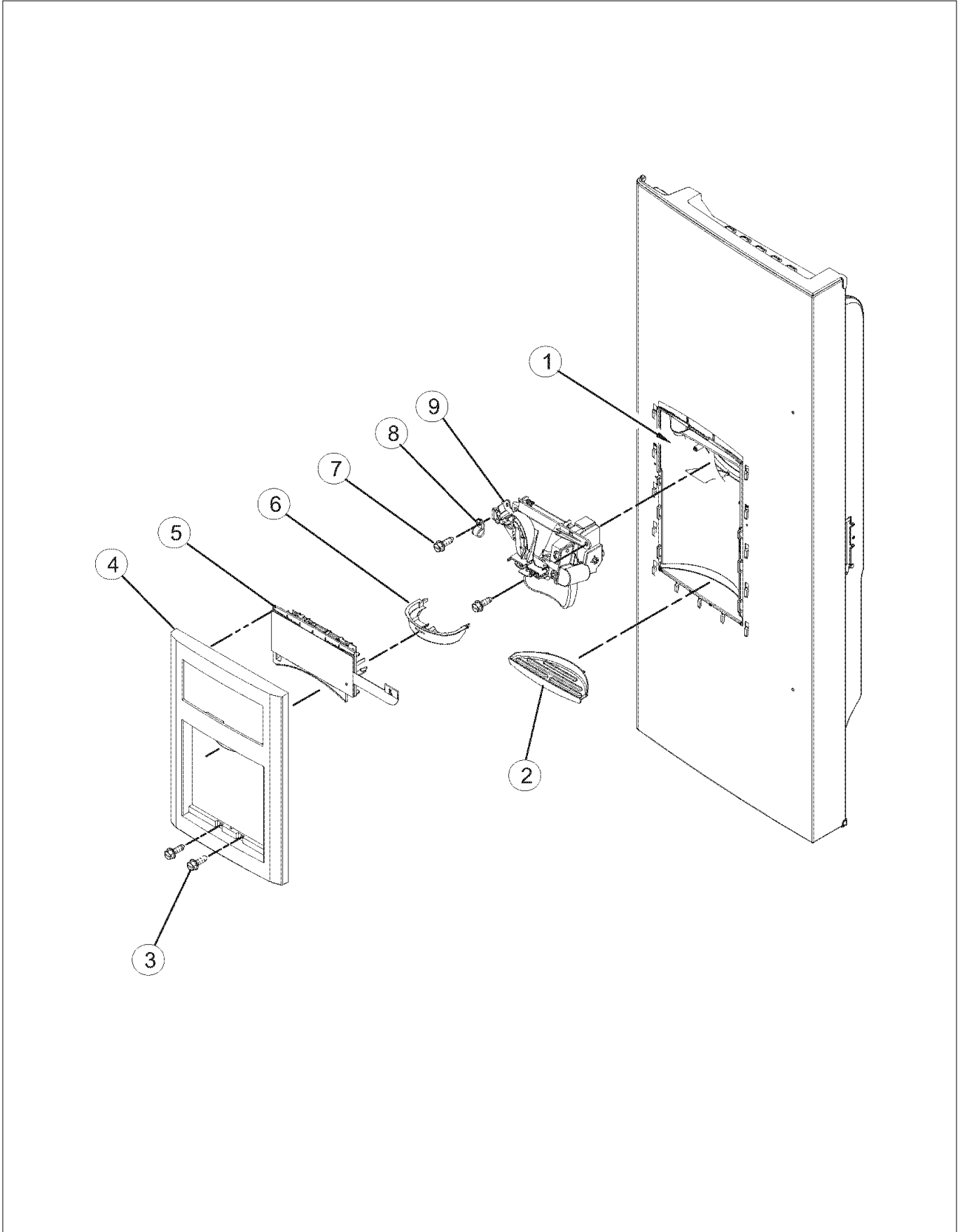
Item	Part No.	Name	Qty	Uom	NOTES
1	NON SERVICEABLE	CABINET	1	EA	
2	021734-000	SCREW	1	EA	
3	022054-000	COVER, RIGHT HINGE, BLACK	1	EA	
4	021733-000	SCREW	1	EA	
5	021937-000	HINGE, TOP RIGHT	1	EA	
6	021939-000	SHIM, TOP HINGE, RIGHT	1	EA	
7	021727-000	SCREW	1	EA	
8	021707-000	COVER-CONTROL BOX	1	EA	
9	021706-000	GASKET, HV BOX	1	EA	
10	021940-000	LID, HV CONTROL	1	EA	
11	022641-000	BOARD, HV CONTROL	1	EA	
12	021942-000	BOX, HV CONTROL	1	EA	
13	PS400129	SCREW, SMALL (67006425)	3	EA	
14	PS400182	CLAMP, TUBE	1	EA	NO LONGER AVAILABLE
15	021943-000	COVER, MC BACK	1	EA	
16	021697-000	INSULATION, SOUND	1	EA	
19	021790-000	GASKET	1	EA	
20	028580-000	P TRAP DRAIN	1	EA	
<p>Comments for Part Num. 028580-000</p> <p>bradleysapplianceservice@shaw.ca on Dec 9, 2016</p> <p>028580-000 NEW STYLE P-TRAP DRAIN TUBE</p>					
21	021847-000	ROLLER ASSY., FRONT RIGHT	1	EA	
22	011488-000	BRAKE, FOOT	1	EA	
23	PS400103	GRILLE, TOE, BLACK	1	EA	
24	022055-000	HINGE, CENTER, RIGHT, BLACK	1	EA	
25	021728-000	SCREW	8	EA	
26	021848-000	ROLLER ASSY., FRONT LEFT	1	EA	
27	028914-000	SCREW	1	EA	
28	022056-000	HINGE, CENTER, LEFT, BLACK	1	EA	Not available online / Call for pricing and availability





Item	Part No.	Name	Qty	Uom	NOTES
29	021946-000	SCREW	1	EA	
30	021679-000	BLOCK, PIVOT	1	EA	
31	022642-000	CONNECTOR-WATER	1	EA	
32	022057-000	COVER, CORNER, BLACK	2	EA	
33	021938-000	SHIM, TOP HINGE, LEFT	1	EA	
34	021947-000	HINGE, TOP LEFT	1	EA	
35	022058-000	COVER, LEFT HINGE, BLACK	1	EA	
36	022059-000	COVER, FILL TUBE, BLACK	1	EA	
37	021970-000	TUBE W/WATERLINE, FILL-IM	1	EA	

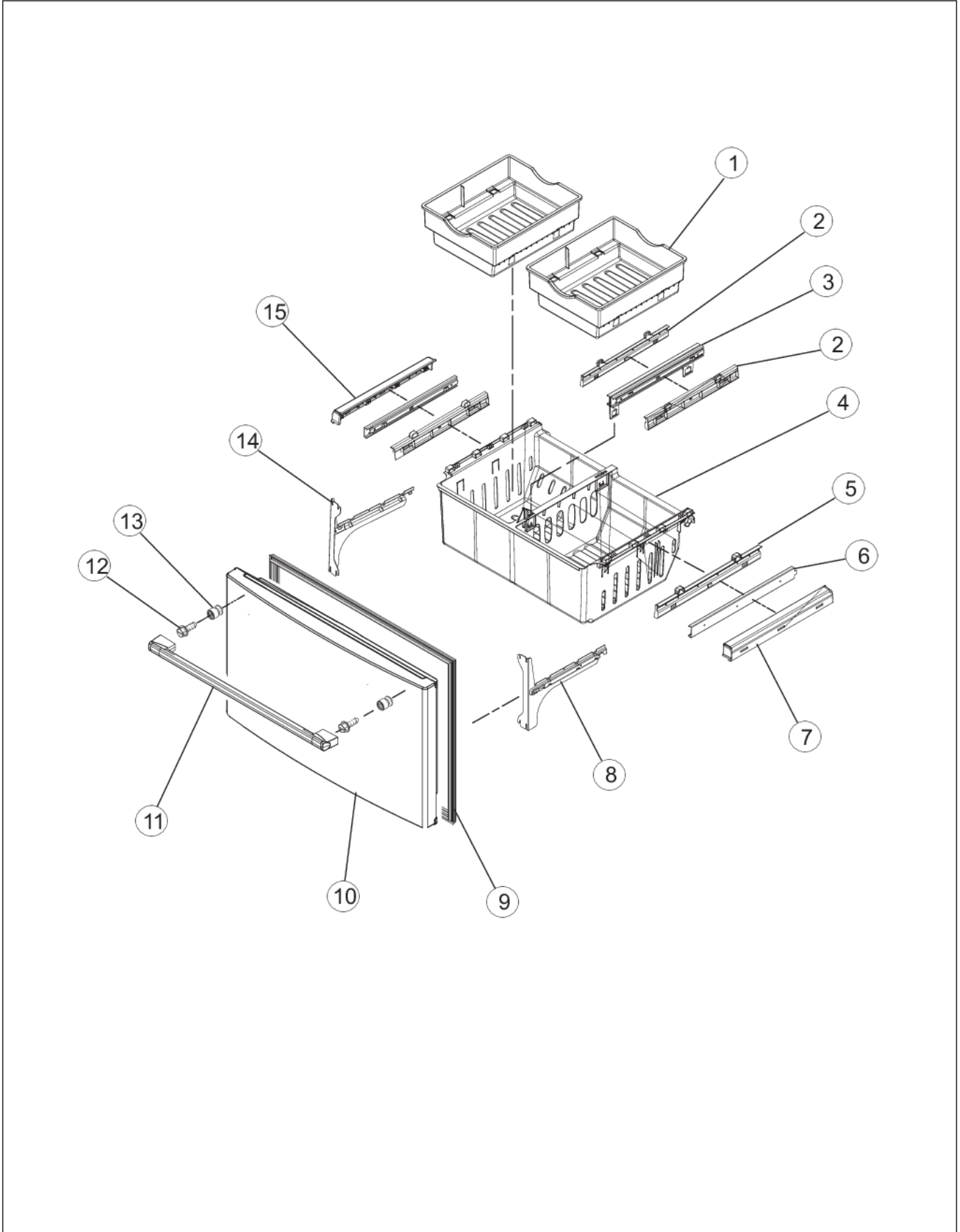
DISP.





Item	Part No.	Name	Qty	Uom	NOTES
1	NON SERVICEABLE	HOUSING, DISPENSER	1	EA	
2	021971-000	SUMP, DISPENSER (BLACK)	1	EA	
3	PS400129	SCREW, SMALL (67006425)	4	EA	
4	022009-000	FACADE, DISPENSER (BLACK)	1	EA	
4	026699-000	FACADE, DISPENSER (BLACK WITH CLAD)	1	EA	
5	067059-000	DISPLAY ASSEMBLY	1	EA	
Not Shown	NOTE	(INCLUDES KEYBOARD AND DISPLAY BOARD)		EA	
6	022033-000	RING, TARGET	1	EA	
7	PS400129	SCREW, SMALL (67006425)	2	EA	
8	022034-000	CLAMP, TUBE	1	EA	
9	022035-000	CHUTE, EXT/YOKE, INCLUDES SWITCH (BLACK)	1	EA	

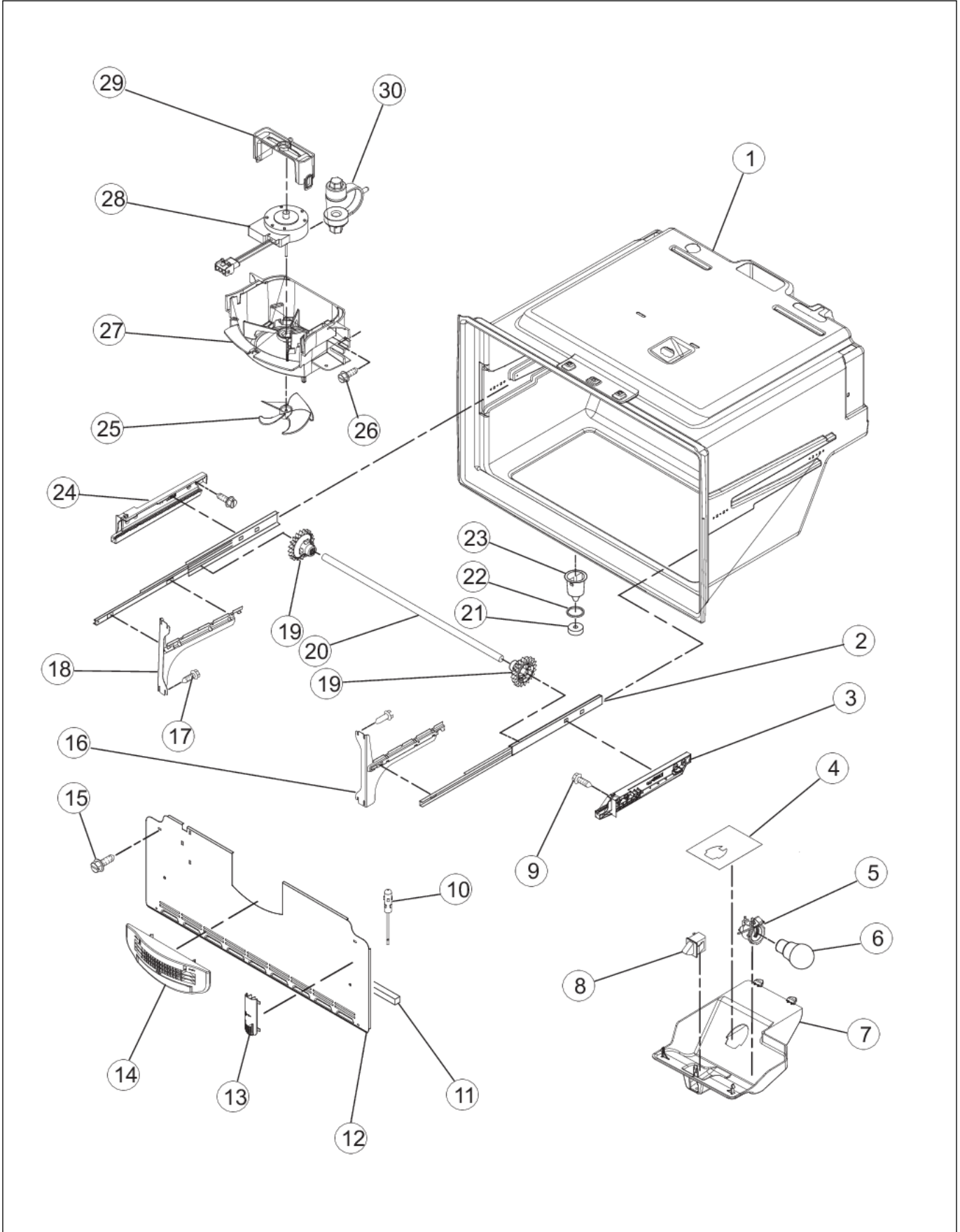
FZ DOOR





Item	Part No.	Name	Qty	Uom	NOTES
1	022003-000	BIN, UPPER	1	EA	
2	022004-000	ADAPTER, BIN (INNER)	1	EA	
3	022005-000	BRACKET/GLIDE ASSY	2	EA	
4	022001-000	BIN, LOWER	1	EA	
5	022002-000	ADAPTER, BIN (OUTER)	1	EA	
6	022006-000	GLIDE UPPER	2	EA	
7	022008-000	RETAINER, GLIDE (RIGHT)	1	EA	
8	011501-000	BRACKET, DOOR, RIGHT	1	EA	
9	038446-000	GASKET, FREEZER DOOR (APOLLO GREY)	1	EA	
10	022652-000	DOOR, FREEZER (SS)	1	EA	
11	021842-000	HANDLE, DOOR (STAINLESS)	1	EA	
12	021918-000	SCREW	2	EA	
13	021567-000	STUD, HANDLE	2	EA	
14	011500-000	BRACKET, DOOR, LEFT	1	EA	
15	022007-000	RETAINER, GLIDE (LEFT)	1	EA	

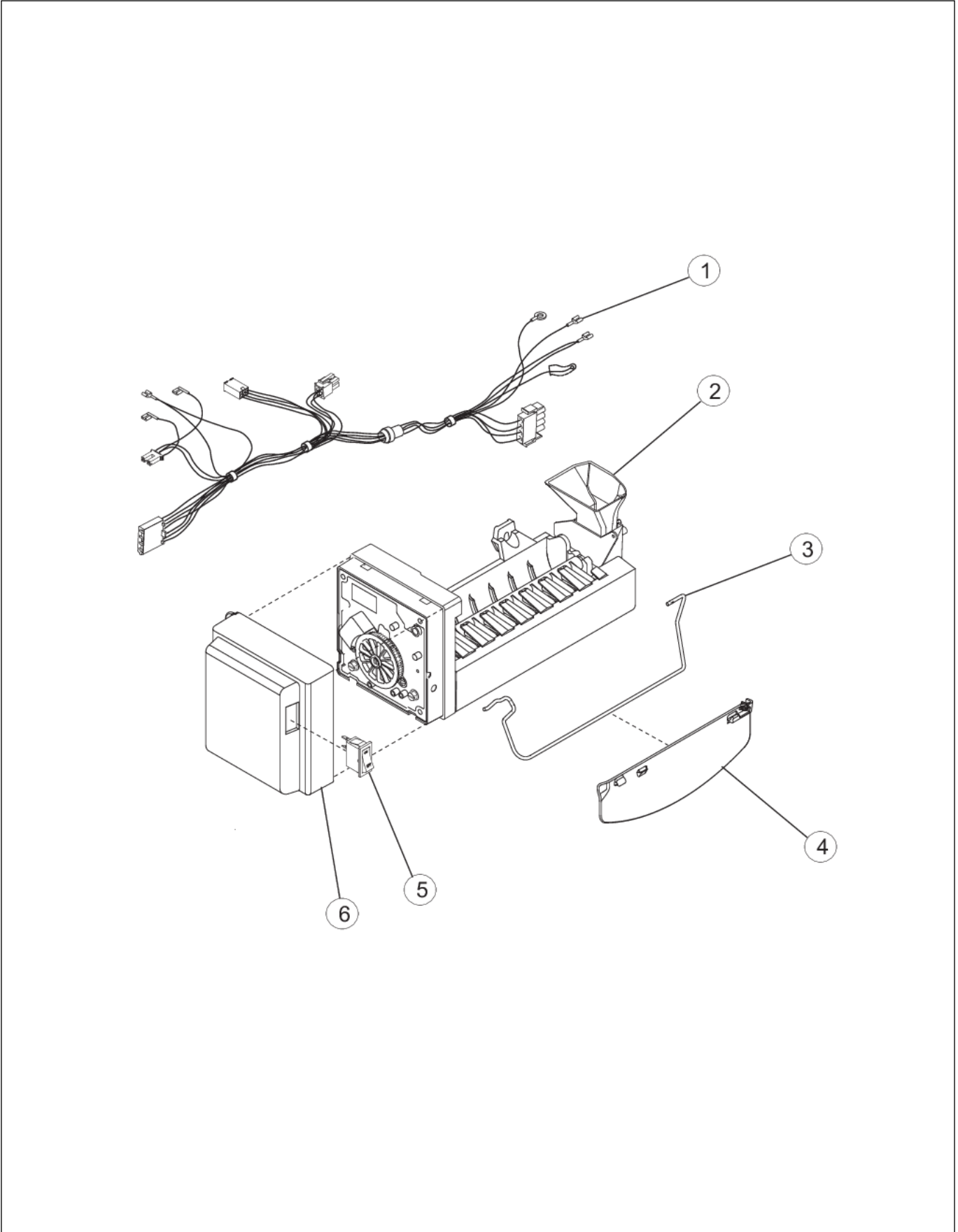
FZ LINER





Item	Part No.	Name	Qty	Uom	NOTES
1	NON SERVICEABLE	LINER	1	EA	
2	021737-000	SLIDE, DRAWER	2	EA	
3	021979-000	ADAPTER, RIGHT	1	EA	
4	021866-000	HANDLE, DOOR (SS)	1	EA	
5	021765-000	SOCKET, LIGHT	1	EA	
6	021971-000	SUMP, DISPENSER (BLACK)	1	EA	
7	022646-000	MODULE, FREEZER LIGHT	1	EA	
8	021976-000	SWITCH, ROCKER	1	EA	
9	021710-000	SCREW	6	EA	
10	PS400063	THERMISTOR	1	EA	
11	021977-000	GASKET, FOAM	1	EA	
12	021973-000	COVER, EVAPORATOR	1	EA	
13	021696-000	COVER, THERMISTOR	1	EA	
14	021980-000	GRILLE, FZ AIR	1	EA	
15	PS400129	SCREW, SMALL (67006425)	4	EA	
16	011501-000	BRACKET, DOOR, RIGHT	1	EA	
17	021724-000	SCREW	1	EA	
18	011500-000	BRACKET, DOOR, LEFT	1	EA	
19	011497-000	GEAR, LT/RT	1	EA	
20	021917-000	SHAFT, RACK	1	EA	
21	PS400090	GASKET, DRAIN TUBE	1	EA	
22	PS400091	SEAL, O-RING	1	EA	
23	PS400092	FUNNEL, DRAIN	1	EA	
24	021978-000	ADAPTER, LEFT	1	EA	
25	021982-000	BLADE, FAN (EVAPORATOR)	1	EA	
26	021711-000	SCREW	1	EA	
27	021981-000	SHROUD, EVAP FAN	1	EA	
28	021984-000	MOTOR, EVAPORATOR	1	EA	
29	021975-000	CLIP, FAN MOTOR	1	EA	
30	021983-000	GROMMET	2	EA	
NI	026694-000	HARNESS - FZ LIGHT	1	EA	

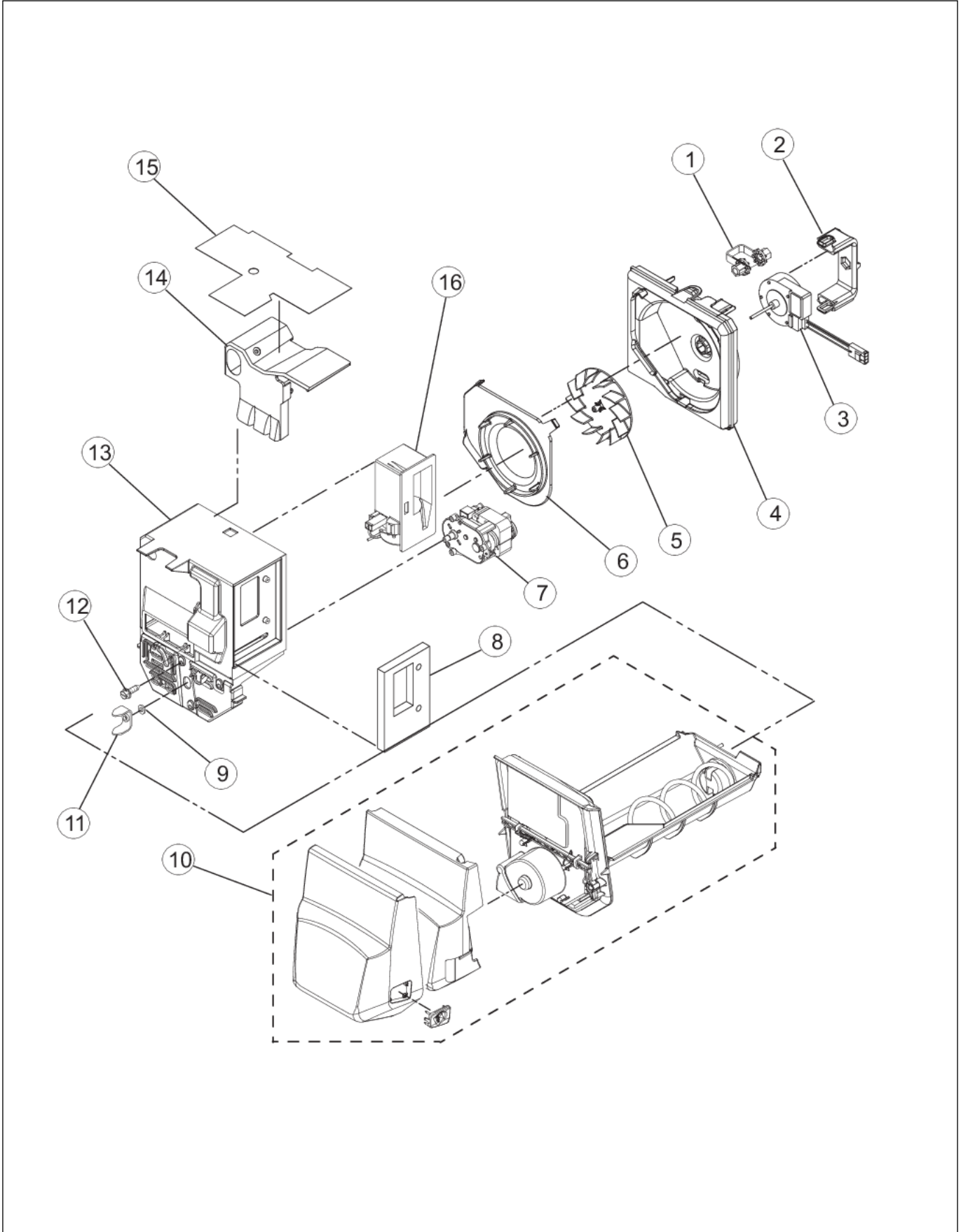
ICE MAKER





Item	Part No.	Name	Qty	Uom	NOTES
1	022663-000	HARNESS, ICE MAKER	1	EA	
2	022665-000	ICEMAKER ASSY	1	EA	
3	022023-000	ARM, SHUTOFF	1	EA	
4	022024-000	EXTENSION, SHUTOFF ARM	1	EA	
5	022026-000	SWITCH, ON-OFF	1	EA	
6	022025-000	COVER, ICE MAKER	1	EA	
NI	026700-000	COUPLING	1	EA	

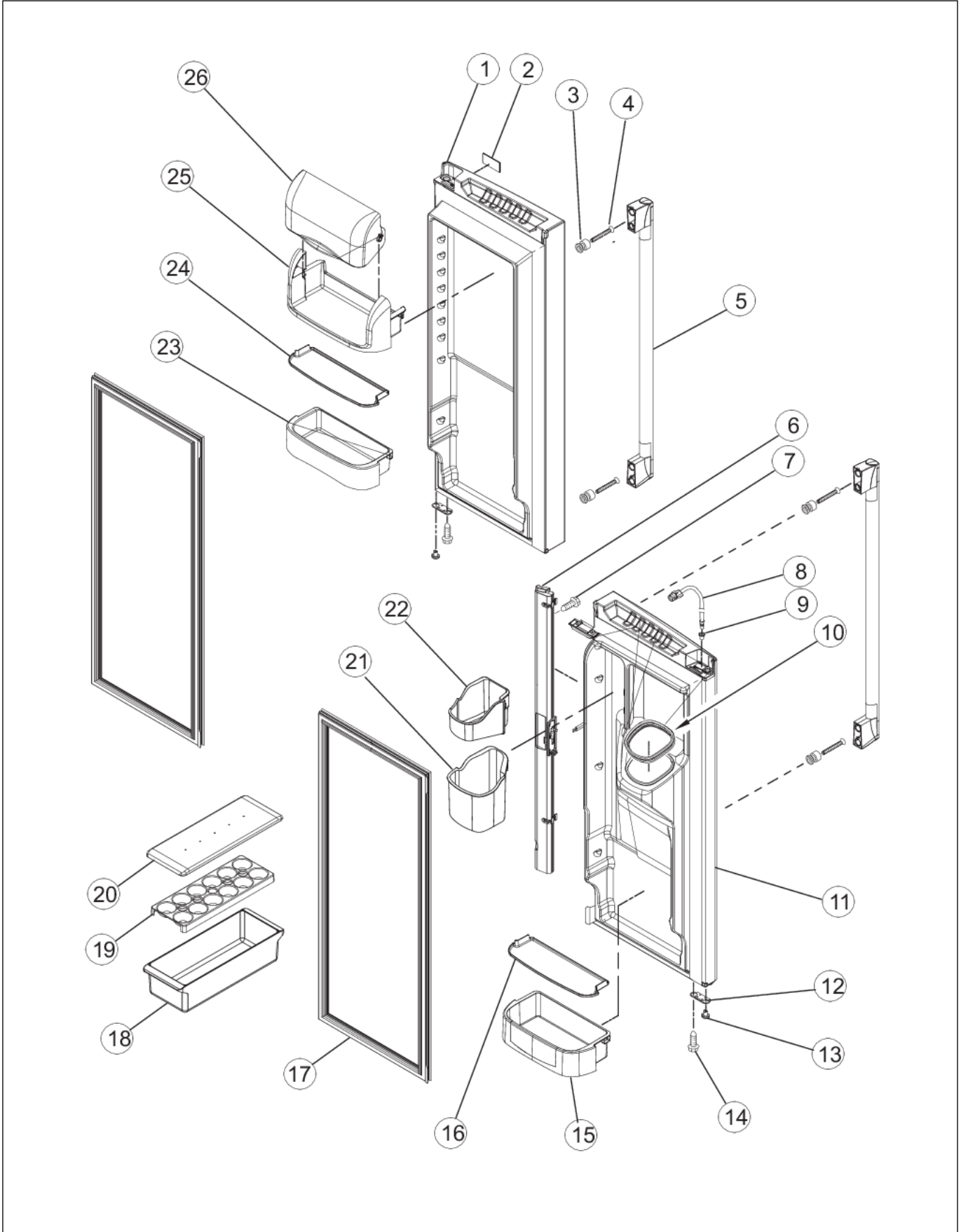
MOTOR





Item	Part No.	Name	Qty	Uom	NOTES
1	022036-000	GROMMET, FAN MOTOR	1	EA	
2	022037-000	CLIP, FAN MOTOR	1	EA	
3	022038-000	MOTOR, FAN	1	EA	
4	022039-000	SCROLL, BLOWER	1	EA	
5	022040-000	WHEEL, BLOWER	1	EA	
6	022041-000	INLET, BLOWER	1	EA	
7	022042-000	MOTOR, AUGER	1	EA	
8	022043-000	GASKET, DAMPER	1	EA	
9	022046-000	WASHER	1	EA	
10	022666-000	ICE BIN ASSEMBLY (INCLUDES AUGER)	1	EA	
11	022048-000	YOKE, ICE DISPENSER	1	EA	
12	PS400129	SCREW, SMALL (67006425)	3	EA	
13	026701-000	DIVIDER, ICE BOX	1	EA	
14	022050-000	LINER, DIVIDER	1	EA	
15	022051-000	FOIL, ICE BOX	1	EA	
16	010605-000	DAMPER, CONTROL	1	EA	

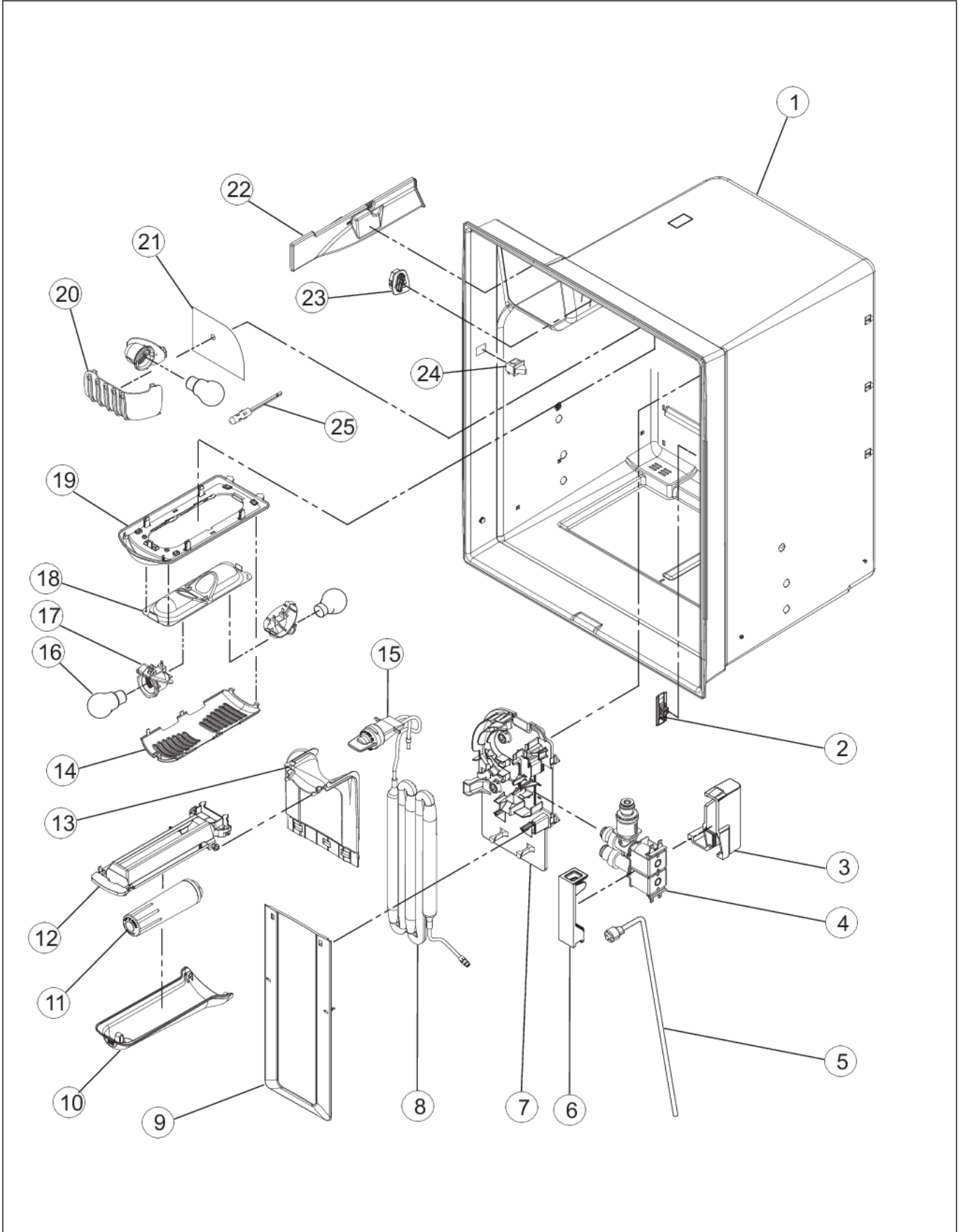
REF DOOR





Item	Part No.	Name	Qty	Uom	NOTES
1	026695-000	DOOR, RIGHT, STAINLESS	1	EA	
2	022061-000	NAMEPLATE	1	EA	
3	021567-000	STUD, HANDLE	4	EA	
4	021918-000	SCREW	4	EA	
5	021842-000	HANDLE, DOOR (STAINLESS)	2	EA	
6	022063-000	MULLION, DOOR, BLACK	1	EA	
7	021708-000	SCREW	1	EA	
8	022649-000	WATERLINE, DOOR	1	EA	
9	021996-000	CLIP, BUSHING WIRE	1	EA	
10	021991-000	SEAL, ICE CUBE	1	EA	
11	026696-000	DOOR, LEFT, STAINLESS	1	EA	
12	022065-000	STOP, DOOR, BLACK	2	EA	
13	022066-000	CLOSURE, DOOR, BLACK	2	EA	
14	021724-000	SCREW	1	EA	
15	022651-000	BIN, SHELF (GAL-W/GRIPPER)	2	EA	
16	026697-000	GRIPPER, GALLON BUCKET	1	EA	
17	022067-000	GASKET, DOOR, BLACK	2	EA	
18	021746-000	BIN, UTILITY	1	EA	
19	017162-000	TRAY, EGG	1	EA	
20	021747-000	LID, UTILITY	1	EA	NO LONGER AVAILABLE
21	021995-000	BUCKET, DISPENSER (LOWER)	1	EA	
22	021993-000	BUCKET, DISPENSER (UPPER)	1	EA	
23	021987-000	BIN, SHELF (MED-W/GRIPPER)	3	EA	
24	021763-000	GRIPPER, MEDIUM BUCKET	1	EA	
25	021758-000	TRAY, DAIRY	1	EA	
26	021780-000	DOOR, DAIRY	1	EA	

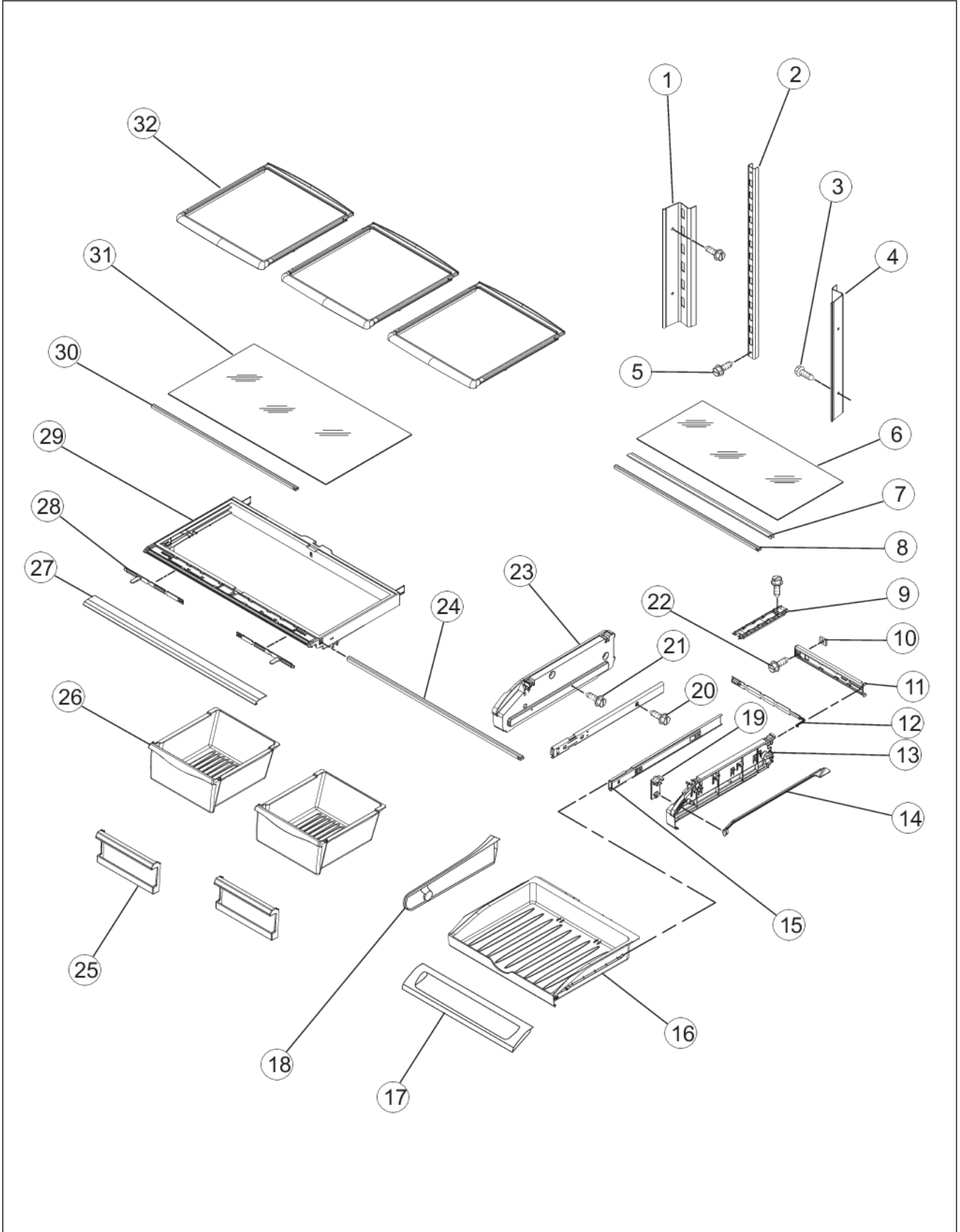
REF LINER





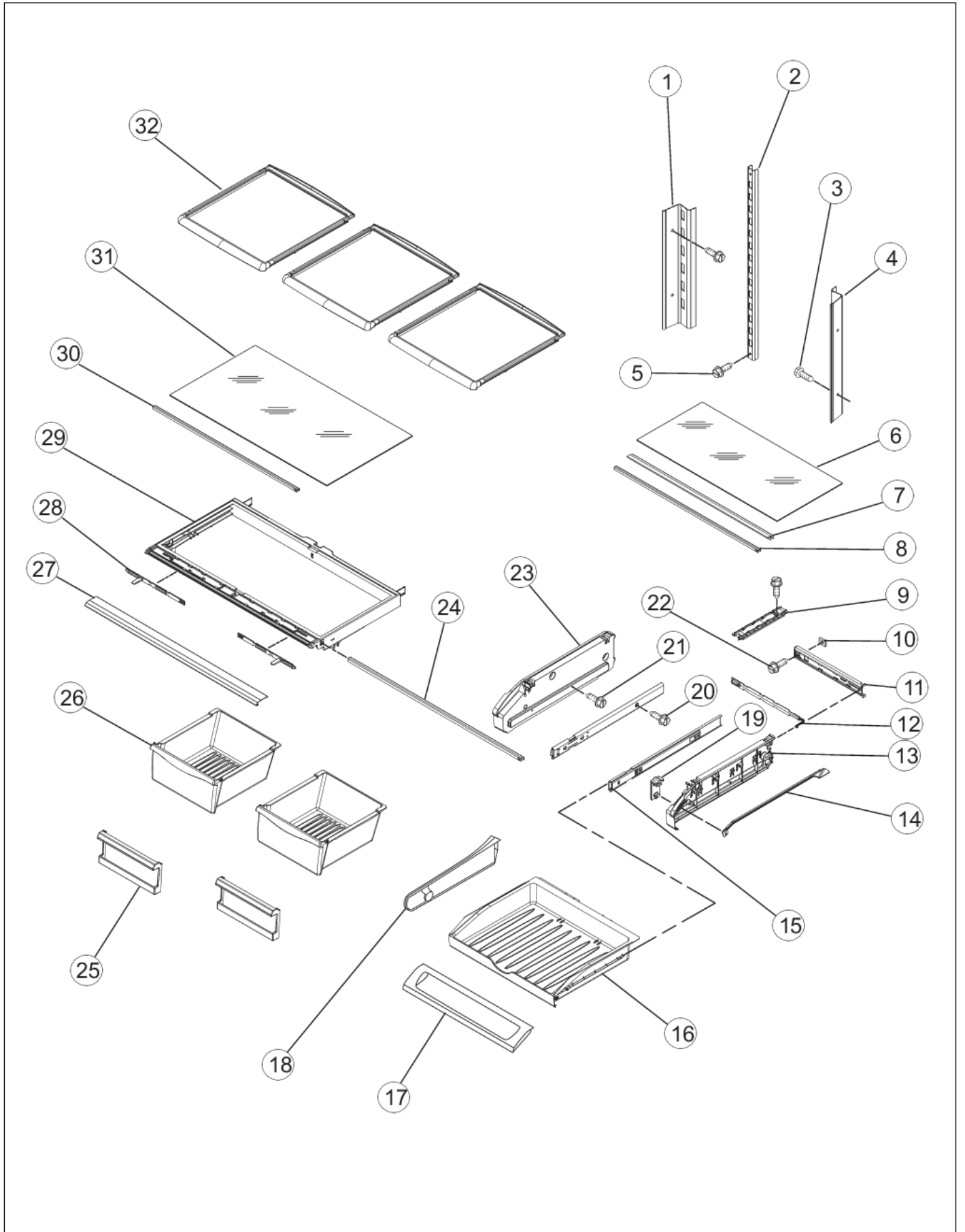
Item	Part No.	Name	Qty	Uom	NOTES
1	NON SERVICEABLE	REFRIGERATOR LINER	1	EA	
2	021966-000	COVER, CHILLER VENT	1	EA	
3	021968-000	ENCLOSURE, WATER VALVE CONNECTOR	1	EA	
4	022643-000	VALVE. WATER INLET	1	EA	
5	026693-000	WATERLINE, CABINET	1	EA	
6	021969-000	LID, ENCLOSURE	1	EA	
7	021961-000	BRACKET, WATER TANK AND VALVE	1	EA	Not available online / Call for pricing and availability
8	022644-000	WATER TANK AND HEAD ASSY	1	EA	
9	021959-000	COVER, WATER TANK (LOWER)	1	EA	
10	034462-000	COVER, FILTER	1	EA	
11	SALES ITEM	FILTER, WATER	1	EA	
12	021960-000	BRACKET, FILTER BASE	1	EA	
13	021957-000	COVER, WATER TANK (UPPER)	1	EA	
14	021954-000	COVER, LIGHT	1	EA	
15	022157-000	PLUG, BYPASS	1	EA	
16	021955-000	BULB, LIGHT	2	EA	
17	PS400053	LIGHT SOCKET (12570701)	2	EA	
18	021781-000	LIGHT HOUSING	1	EA	
19	021950-000	MODULE, LIGHT	1	EA	
20	021952-000	COVER, LIGHT	1	EA	
21	021951-000	FOIL. LIGHT	1	EA	
22	021965-000	COVER, ICE BOX HARNESS	1	EA	
23	021953-000	GRILLE, AIR	1	EA	
24	PS400341	SWITCH, LIGHT	2	EA	
25	PS400063	THERMISTOR	1	EA	

SHELF





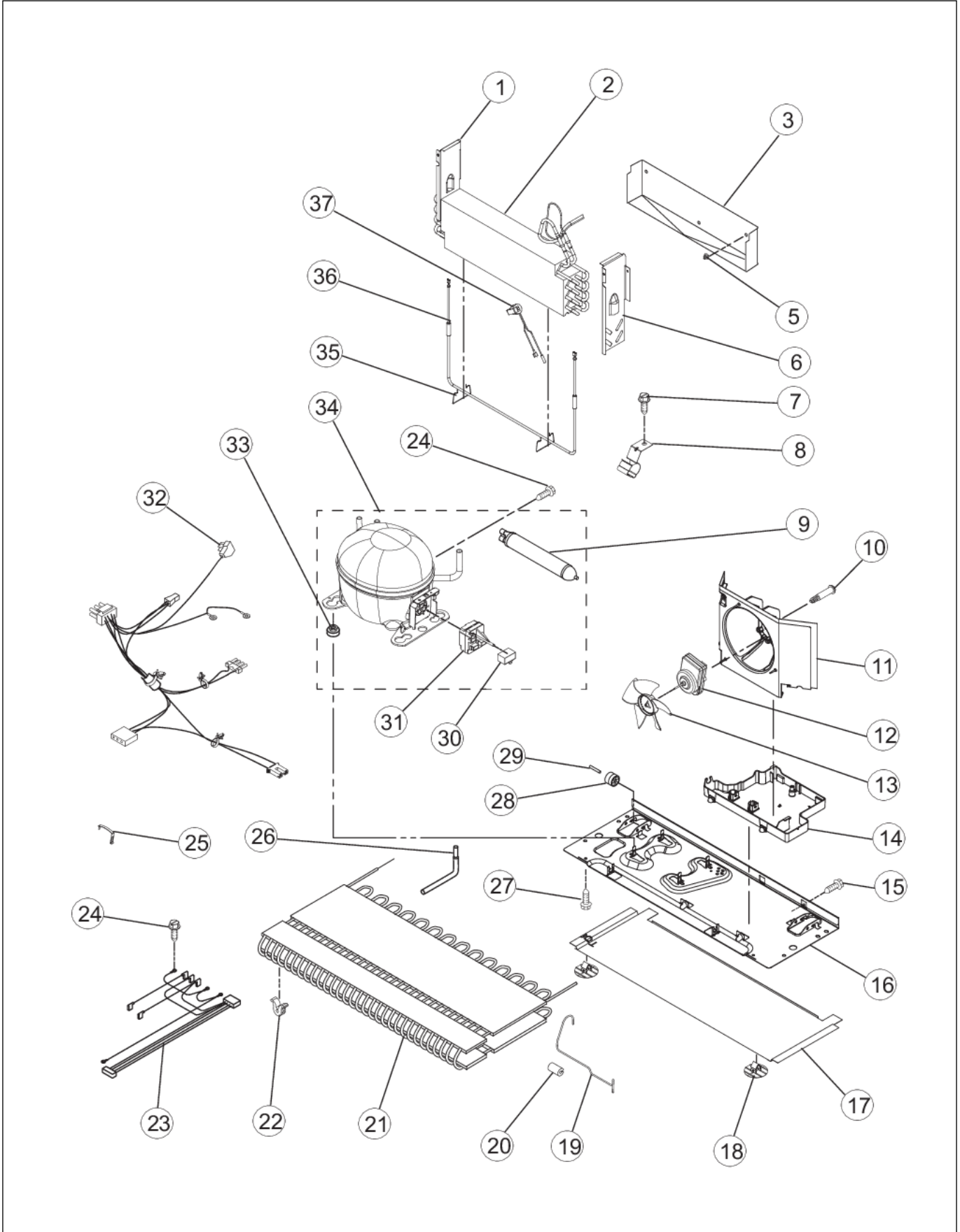
Item	Part No.	Name	Qty	Uom	NOTES
1	022069-000	LADDER, LH	1	EA	
2	022019-000	LADDER, CENTER	1	EA	
3	PS400129	SCREW, SMALL (67006425)	6	EA	
4	022020-000	LADDER, LH	1	EA	
5	021723-000	SCREW	1	EA	
6	021664-000	GLASS, PANTRY	1	EA	
7	021773-000	SUPPORT, PANTRY	2	EA	
8	021756-000	BRACE, PANTRY	2	EA	
9	021672-000	TRACK, PANTRY	1	EA	
10	021678-000	GASKET, PANTRY	1	EA	
11	021677-000	HOUSING, CONTROL	1	EA	
12	021676-000	SLIDE TEMPERATURE	4	EA	
13	PS400077	END CAP, RH PANTRY	1	EA	
14	021675-000	ROD, TEMP CONTROL	1	EA	
15	021912-000	GLIDE, DRAWER	2	EA	
16	022021-000	DRAWER, PANTRY	1	EA	
17	034508-000	DOOR, PANTRY DRAWER	1	EA	
18	021684-000	DIVIDER, PANTRY DRAWER	1	EA	
19	021771-000	KNOB, TEMP CONTROL	1	EA	
20	021711-000	SCREW	2	EA	
21	021717-000	SCREW	4	EA	
22	022071-000	MODULE?FZ LIGHT	1	EA	
23	PS400076	END CAP, LH PANTRY	1	EA	
24	021756-000	BRACE, PANTRY	1	EA	
25	021778-000	FRONT, CRISPER PAN	1	EA	
26	021761-000	CRISPER PAN	2	EA	
Comments for Part Num. 021761-000					
bradleysapplianceservice@shaw.ca on Apr 6, 2019					
SUBS TO: PS400071 CRISPER PAN (FRONT NOT INCLUDED)					
27	021832-000	TRIM, CRISPER	1	EA	
28	021760-000	SLIDE, HUMIDITY CONTROL	1	EA	
29	021762-000	FRAME, CRISPER	1	EA	



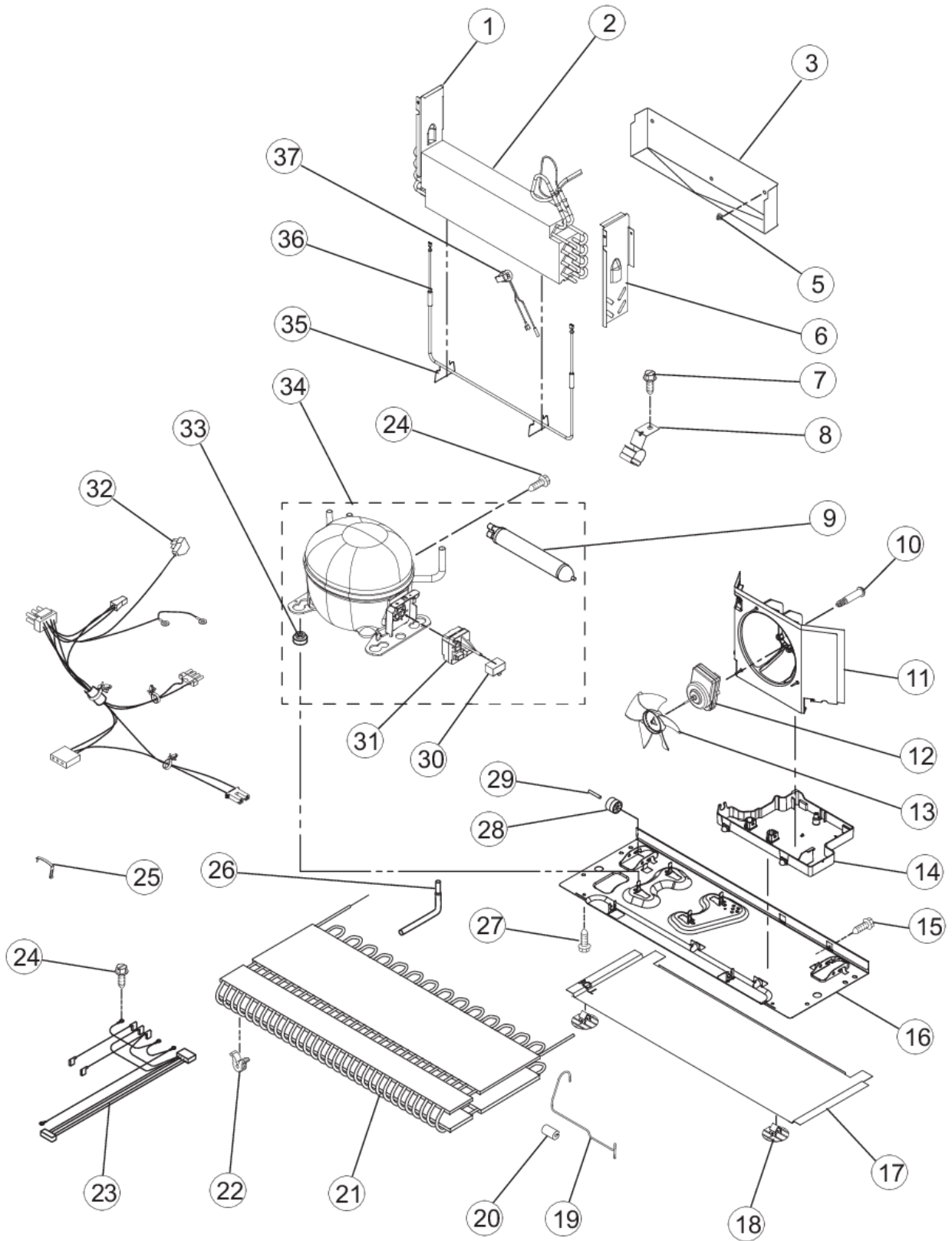


Item	Part No.	Name	Qty	Uom	NOTES
30	021755-000	BRACE, CRISPER	1	EA	
31	PS400067	GLASS, CRISPER (67006655)	1	EA	
32	022017-000	SHELF, GLIDE	3	EA	

UNIT



Item	Part No.	Name	Qty	Uom	NOTES
1	022014-000	DAM, LEFT SIDE	1	EA	
2	022013-000	EVAPORATOR KIT	1	EA	
3	021885-000	TRAY, DRIP	1	EA	
5	PS400124	CLIP, EVAPORATOR	1	EA	Not available online / Call for pricing and availability
6	022015-000	DAM, RIGHT SIDE	1	EA	
7	021726-000	SCREW	1	EA	
8	022725-000	CLIP, DRIER	1	EA	
9	022961-000	DRIER	1	EA	Not available online / Call for pricing and availability
10	021824-000	SCREW, SHOULDER	1	EA	
11	021810-000	SHROUD	1	EA	
12	021893-000	MOTOR, FAN	1	EA	
13	021699-000	BLADE, FAN	1	EA	
14	021853-000	PAN, DRAIN	1	EA	
15	PS400129	SCREW, SMALL (67006425)	1	EA	
16	021821-000	BASEPAN	1	EA	
17	021817-000	EXTENSION - BASEPAN	1	EA	
18	021818-000	FASTENER - BASEPAN	1	EA	
19	021827-000	TUBE, DISCHARGE	1	EA	
20	011560-000	GROMMET, COND	1	EA	
21	021798-000	CONDENSER	1	EA	
22	026698-000	GROMMET, CONDENSER	2	EA	
23	022010-000	HARNESS, EVAP. HEATER	1	EA	
24	021731-000	SCREW	2	EA	
25	021815-000	STRAP - BALE	1	EA	
26	022964-000	TUBE, PROCESS	1	EA	Not available online / Call for pricing and availability
27	021904-000	SCREW	4	EA	
28	021670-000	ROLLER	2	EA	
29	021671-000	AXLE, ROLLER	2	EA	





Item	Part No.	Name	Qty	Uom	NOTES
30	021661-000	CAPACITOR	1	EA	
31	021814-000	START DEVICE	1	EA	
32	022016-000	HARNESS, UNIT W/ POWER CORD	1	EA	
33	021750-000	GROMMET	4	EA	
34	021797-000	COMPRESSOR KIT	1	EA	
35	011548-000	CLIP, HEATER - SUBS TO 10428101	1	EA	
36	022011-000	HEATER, DEFROST	1	EA	
37	022012-000	THERMOSTAT	1	EA	



Appendix A:Pages Index

CABINET	1
DISP.	2
FZ DOOR	3
FZ LINER	4
ICE MAKER	5
MOTOR	6
REF DOOR	7
REF LINER	8
SHELF	9
UNIT	10



Appendix B:Parts Index

010605-000	6	021750-000	10
011488-000	1	021755-000	9
011497-000	4	021756-000	9, 9
011500-000	3, 4	021758-000	7
011501-000	3, 4	021760-000	9
011548-000	10	021761-000	9
011560-000	10	021762-000	9
017162-000	7	021763-000	7
021567-000	3, 7	021765-000	4
021661-000	10	021771-000	9
021664-000	9	021773-000	9
021670-000	10	021778-000	9
021671-000	10	021780-000	7
021672-000	9	021781-000	8
021675-000	9	021790-000	1
021676-000	9	021797-000	10
021677-000	9	021798-000	10
021678-000	9	021810-000	10
021679-000	1	021814-000	10
021684-000	9	021815-000	10
021696-000	4	021817-000	10
021697-000	1	021818-000	10
021699-000	10	021821-000	10
021706-000	1	021824-000	10
021707-000	1	021827-000	10
021708-000	7	021832-000	9
021710-000	4	021842-000	3, 7
021711-000	4, 9	021847-000	1
021717-000	9	021848-000	1
021723-000	9	021853-000	10
021724-000	4, 7	021866-000	4
021726-000	10	021885-000	10
021727-000	1	021893-000	10
021728-000	1	021904-000	10
021731-000	10	021912-000	9
021733-000	1	021917-000	4
021734-000	1	021918-000	3, 7
021737-000	4	021937-000	1
021746-000	7	021938-000	1
021747-000	7	021939-000	1
		021940-000	1



021942-000	1	022006-000	3
021943-000	1	022007-000	3
021946-000	1	022008-000	3
021947-000	1	022009-000	2
021950-000	8	022010-000	10
021951-000	8	022011-000	10
021952-000	8	022012-000	10
021953-000	8	022013-000	10
021954-000	8	022014-000	10
021955-000	8	022015-000	10
021957-000	8	022016-000	10
021959-000	8	022017-000	9
021960-000	8	022019-000	9
021961-000	8	022020-000	9
021965-000	8	022021-000	9
021966-000	8	022023-000	5
021968-000	8	022024-000	5
021969-000	8	022025-000	5
021970-000	1	022026-000	5
021971-000	2, 4	022033-000	2
021973-000	4	022034-000	2
021975-000	4	022035-000	2
021976-000	4	022036-000	6
021977-000	4	022037-000	6
021978-000	4	022038-000	6
021979-000	4	022039-000	6
021980-000	4	022040-000	6
021981-000	4	022041-000	6
021982-000	4	022042-000	6
021983-000	4	022043-000	6
021984-000	4	022046-000	6
021987-000	7	022048-000	6
021991-000	7	022050-000	6
021993-000	7	022051-000	6
021995-000	7	022054-000	1
021996-000	7	022055-000	1
022001-000	3	022056-000	1
022002-000	3	022057-000	1
022003-000	3	022058-000	1
022004-000	3	022059-000	1
022005-000	3	022061-000	7



022063-000	7	PS400090	4
022065-000	7	PS400091	4
022066-000	7	PS400092	4
022067-000	7	PS400103	1
022069-000	9	PS400124	10
022071-000	9	PS400129	1, 2, 2, 4, 6, 9, 10
022157-000	8	PS400182	1
022641-000	1	PS400341	8
022642-000	1		
022643-000	8		
022644-000	8		
022646-000	4		
022649-000	7		
022651-000	7		
022652-000	3		
022663-000	5		
022665-000	5		
022666-000	6		
022725-000	10		
022961-000	10		
022964-000	10		
026693-000	8		
026694-000	4		
026695-000	7		
026696-000	7		
026697-000	7		
026698-000	10		
026699-000	2		
026700-000	5		
026701-000	6		
028580-000	1		
028914-000	1		
034462-000	8		
034508-000	9		
038446-000	3		
067059-000	2		
PS400053	8		
PS400063	4, 8		
PS400067	9		
PS400076	9		
PS400077	9		