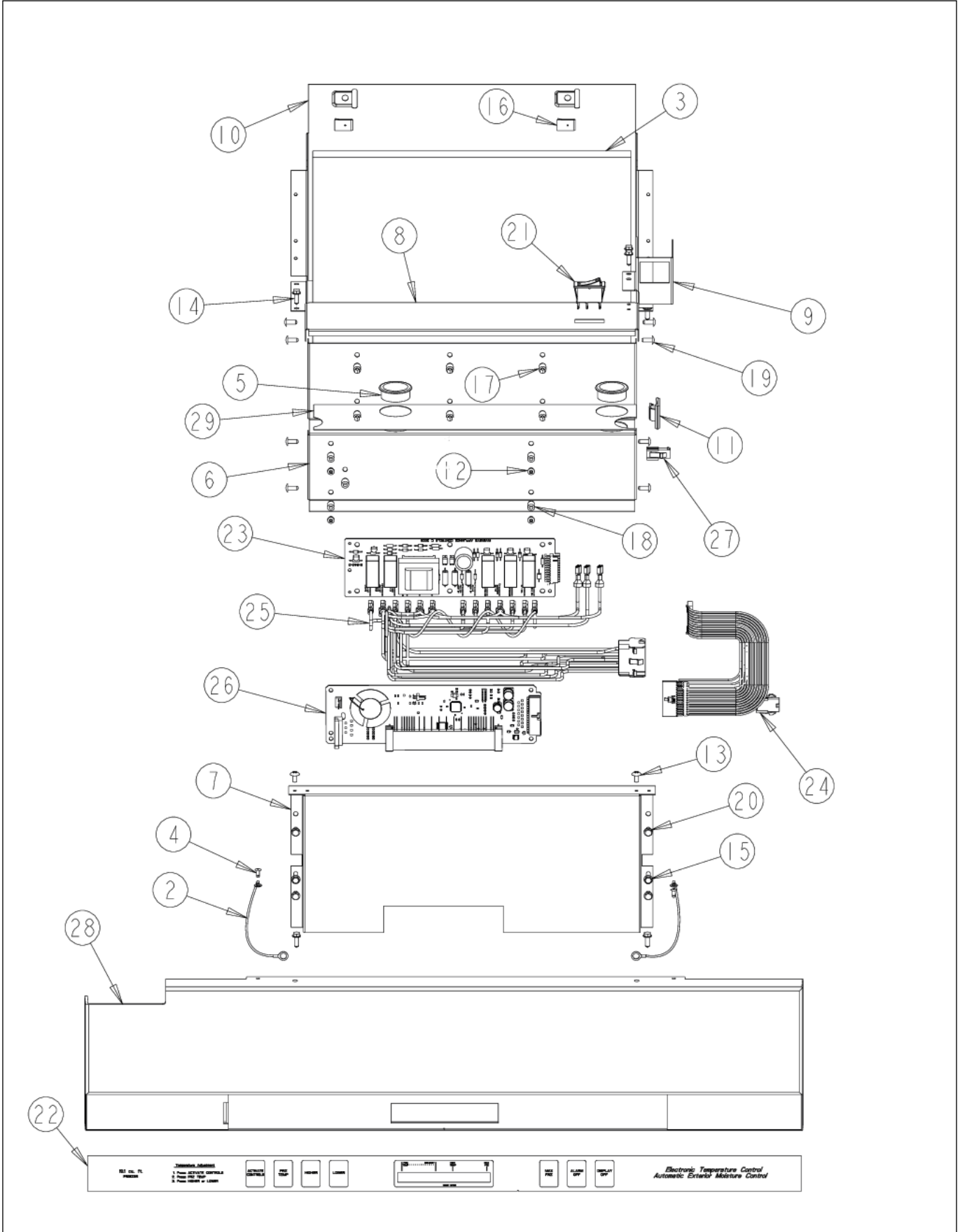


**DDFB304**

CONTROL ASSY .....	1
DOOR ASSY .....	2
EVAP AREA .....	3
HIGH SIDE ASSEMBLY .....	4
INTERIOR CABINET ASSY .....	5
LOWER UNIT, HINGES, TRIM ASSY .....	6
UPPER GRILLE ASSY .....	7
WIRING .....	8
Appendix A:Pages Index .....	A
Appendix B:Parts Index .....	B

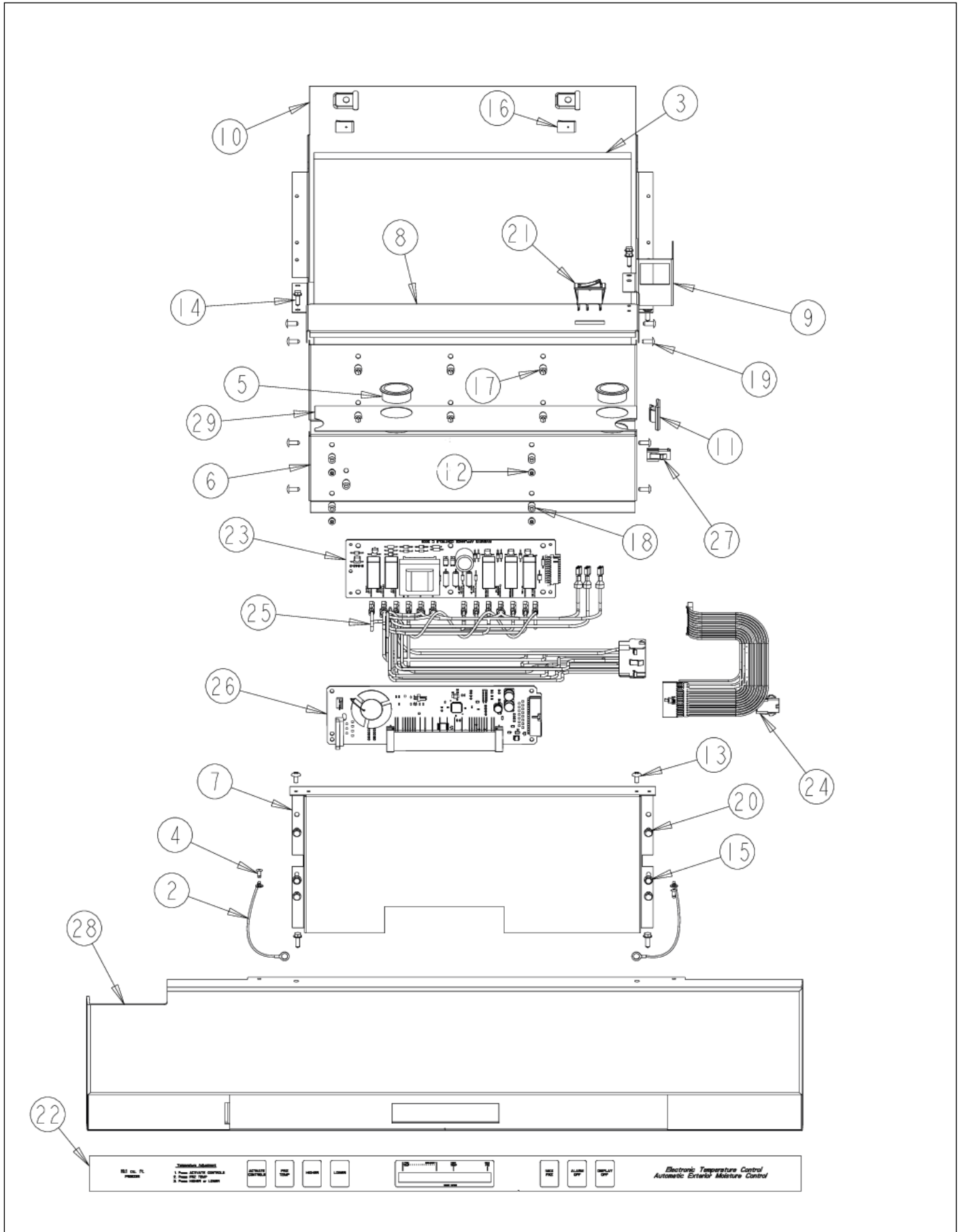


CONTROL ASSY



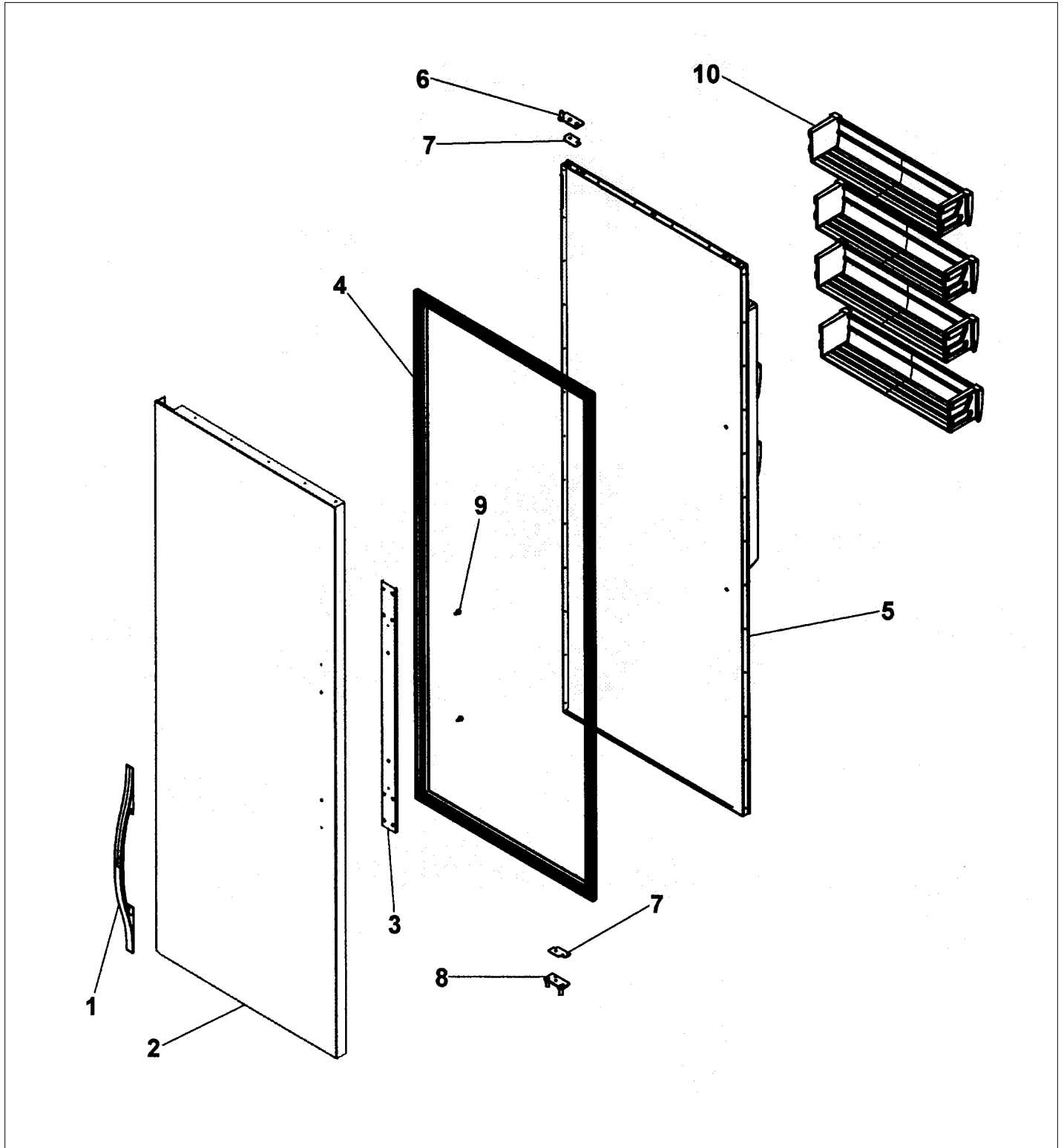


Item	Part No.	Name	Qty	Uom	NOTES
1	10916507	CORD-POWER 5 SERIES		EA	
2	12064001	SUPP-CONT PANEL		EA	
3	12074703	INSUL-CONT BOX V12074703		EA	NO LONGER AVAILABLE, Not available online / Call for pricing and availability
4	A4539601	DAMPER-TUBING .8		EA	Not available online / Call for pricing and availability
5	A4554817	BUSHING-SNAP VA4554817		EA	
6	K20910060	BRACKET - PC		EA	
7	K20610061	FRONT, CONTROL BOX		EA	Not available online / Call for pricing and availability
8	K20910062	CONTROL BOX TOP		EA	NO LONGER AVAILABLE, Not available online / Call for pricing and availability
9	K2098654	Bracket, Power Switch		EA	
10	K2099402	CONTROL BOX		EA	
11	M0104106	CLIP-CORD VM0104106		EA	
12	PD020013	TYPE "AB" #6 X 3/8 PH PAN HD. SMS		EA	
13	M0224128	SCREW-SM		EA	
14	M0238616	SCREW, SMALL		EA	
15	M0238846	SCREW-SHLDR		EA	
16	M0288120	NUT-SPEED VM0288120		EA	
17	M0585504	SUPPORT		EA	
18	M0585506	SUPPORT		EA	
19	PC040010	POP RIVET (.063/GR -.125) GAMD42-A		EA	
20	PD020194	SCR, HEX SRTD WSHR HD, #8-18 X 1/2		EA	
21	PE950150	SPDT ROCKER SW. W/LEGEND		EA	
22	PE950182	OVERLAY SWITCH AF 30		EA	
23	005319-000	POWER CONTROL BOARD ASM 5 SERIES		EA	



Item	Part No.	Name	Qty	Uom	NOTES
Comments for Part Num. 005319-000  boltz on Apr 12, 2018 See TR-0056-SP Bulletin					
25	PE970464	HARNESS LOW VOLT 5 SERIES		EA	
26	PE970465	HARNESS HIGH VOLT		EA	
27	002670-000	LOW VOLTAGE BOARD KIT W/HARNESS		EA	
Comments for Part Num. 002670-000  boltz on Apr 12, 2018 See TR-0022-SP Bulletin					
Not Shown	NOTE	(Before 01/22/05)		EA	
28	PE070728	BOARD LOW VOLTAGE		EA	
Comments for Part Num. PE070728  bradleysapplianceservice@shaw.ca on Apr 27, 2016 COULD ALSO USE: 002670-000 LOW VOLTAGE BOARD KIT ANALOG - INCLUDES WIRE HARNESS					
Not Shown	NOTE	(After 01/22/05)		EA	
Not Shown	PE970609	HARNESS CONTROL BOARD 5 SERIES		EA	
Not Shown	NOTE	(After 01/22/05)		EA	
29	016434-000	PANEL CONTROL AF/AR 30 L		EA	
Not Shown	PK930332	PANEL CONTROL AF 30 R		EA	
Not Shown	PM910325	FILM, PROTECTIVE		EA	

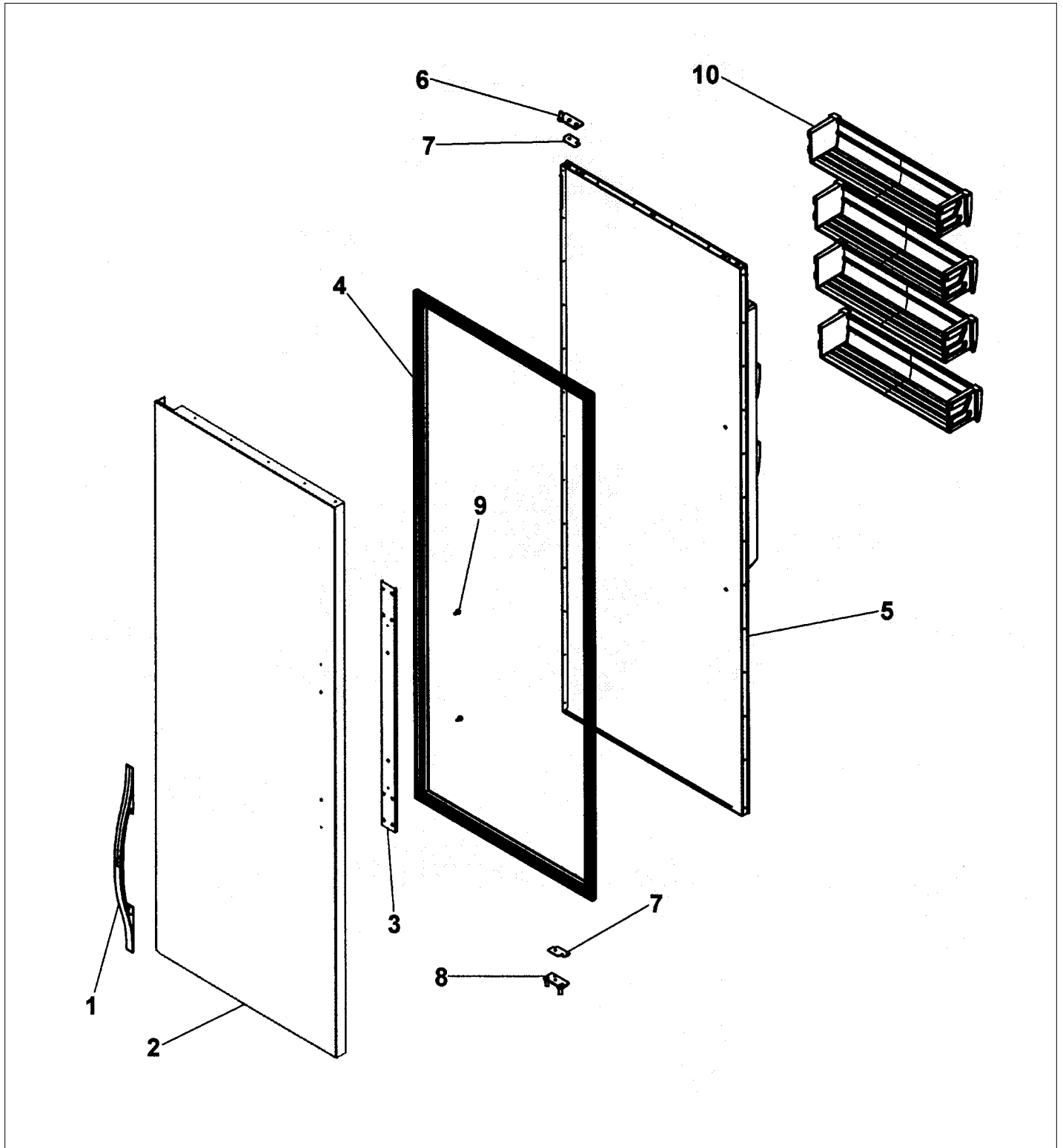
DOOR ASSY







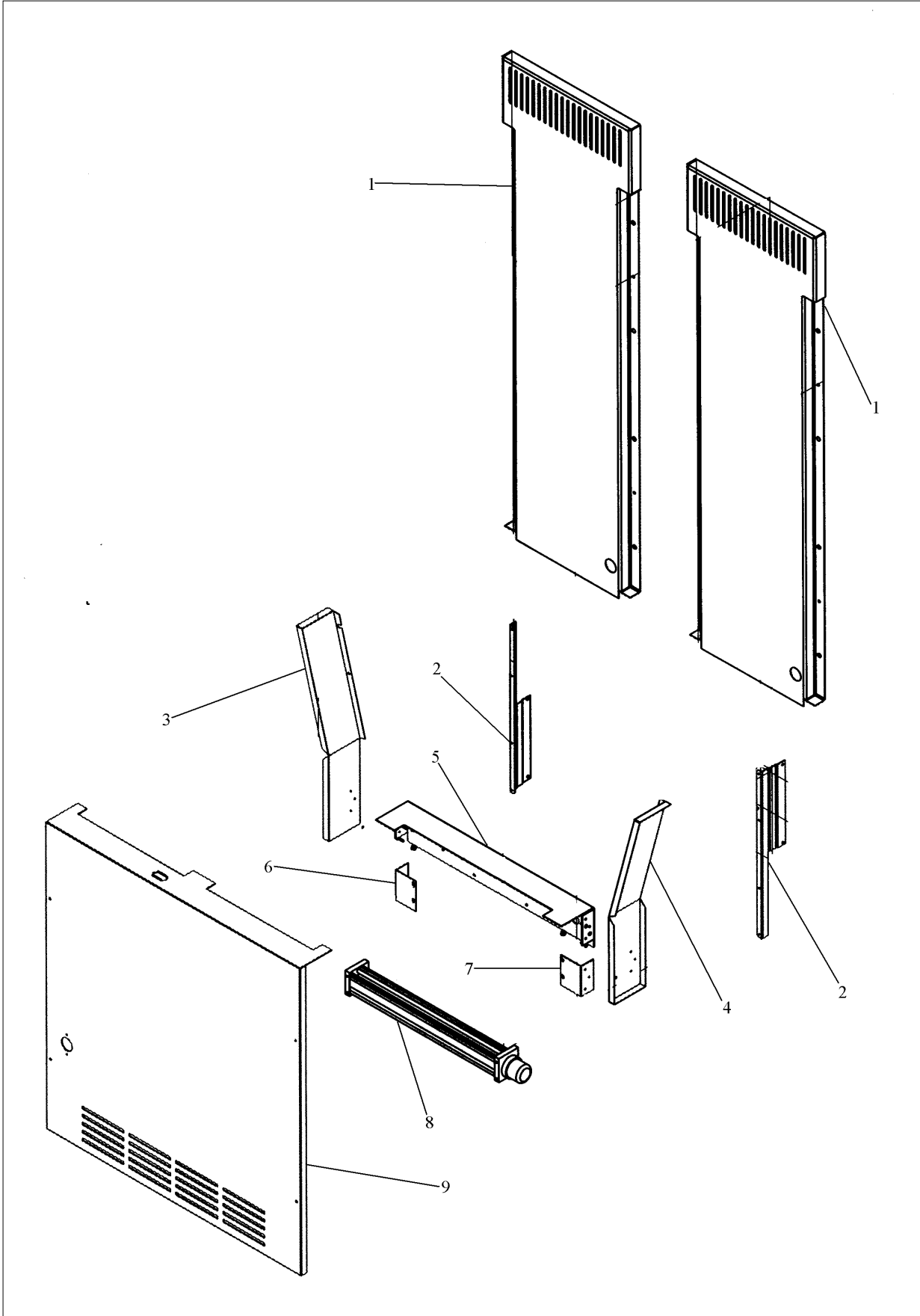
Item	Part No.	Name	Qty	Uom	NOTES
1	PE030166	Handle, Freezer Door - SS	1	EA	
Not Shown	PE030166PVD	Handle, Freezer Door - BR	1	EA	Not available online / Call for pricing and availability
2	B2099075	SKIN DOOR AF AR DES L SS	1	EA	NO LONGER AVAILABLE
Not Shown	L2099075WH	DOOR SKIN - WH (LEFT HINGE)	1	EA	Not available online / Call for pricing and availability
Not Shown	C9099075BK	DOOR SKIN AF AR 30 DES L	1	EA	NO LONGER AVAILABLE
Not Shown	C9099075BT	DOOR SKIN AF AR 30 DES L	1	EA	NO LONGER AVAILABLE, Not available online / Call for pricing and availability
Not Shown	C9099075GG	DOOR SKIN AF AR 30 DES L	1	EA	NO LONGER AVAILABLE, Not available online / Call for pricing and availability
Not Shown	C9099075SG	DOOR SKIN AF AR 30 DES L	1	EA	NO LONGER AVAILABLE, Not available online / Call for pricing and availability
Not Shown	B2099073	DOOR SKIN AF AR 30 DES R	1	EA	Not available online / Call for pricing and availability
Not Shown	L2099073WH	DOOR SKIN AF AR 30 DES R	1	EA	NO LONGER AVAILABLE, Not available online / Call for pricing and availability
Not Shown	C9099073BK	DOOR SKIN AF AR 30 DES R	1	EA	NO LONGER AVAILABLE, Not available online / Call for pricing and availability
Not Shown	C9099073BT	DOOR SKIN AF AR 30 DES R	1	EA	NO LONGER AVAILABLE, Not available online / Call for pricing and availability
Not Shown	C9099073GG	DOOR SKIN AF AR 30 DES R	1	EA	NO LONGER AVAILABLE, Not available online / Call for pricing and availability





Item	Part No.	Name	Qty	Uom	NOTES
Not Shown	C9099073SG	DOOR SKIN AF AR 30 DES R	1	EA	NO LONGER AVAILABLE, Not available online / Call for pricing and availability
3	K2096516	BRACE - SXS DOOR HANDLE 12447003	1	EA	
4	PB070297	DOOR GASKET, 30 AR/AF SIDE CHARGE	1	EA	
5	G5099058	DOOR ASM AF 30	1	EA	
6	PC920132	PIVOT PLATE ASSY - LH	1	EA	
Not Shown	PC920133	PIVOT PLATE ASSY - RH	1	EA	
7	PD940092	SPACER - DOOR HINGE	1	EA	
8	PC920147	PIVOT PLATE ASSY - WC LH BOT	1	EA	
Not Shown	PC920146	PIVOT PLATE ASSY - WC RH BOT	1	EA	
9	M0204303	SCREW-MACH	1	EA	
10	036880-000	DOORBIN ASM AF 30	1	EA	
NI	PE940176	Door Trim - Side	1	EA	
NI	PK930226	TRIM DOOR BULLNOSE 30 TOP/BTM	1	EA	NO LONGER AVAILABLE

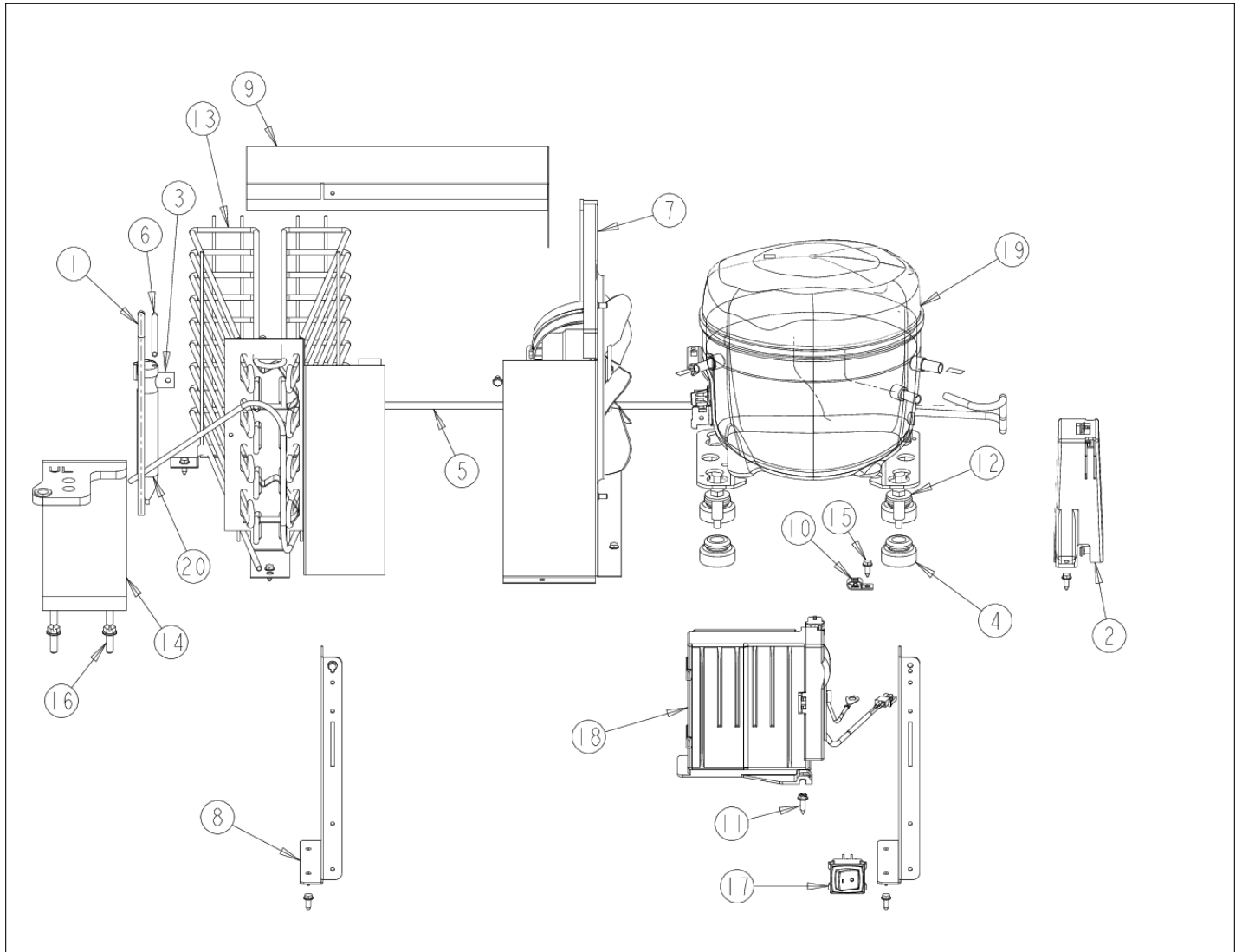
EVAP AREA





Item	Part No.	Name	Qty	Uom	NOTES
1	L2099055	EVAP COVER UPPER AF 30	1	EA	Not available online / Call for pricing and availability
2	K2096461	BRKT-EVAP COVER 12234801	1	EA	
3	L20911955	DIVERTER AIR AF 30 R	1	EA	NO LONGER AVAILABLE, Not available online / Call for pricing and availability
4	L20911954	DIVERTER AIR AF 30 L	1	EA	NO LONGER AVAILABLE, Not available online / Call for pricing and availability
5	K20911956	BRACKET FAN MOUNT AF 30	1	EA	NO LONGER AVAILABLE, Not available online / Call for pricing and availability
6	K20911957	BRACKET FAN MOUNT L AF 30	1	EA	NO LONGER AVAILABLE, Not available online / Call for pricing and availability
7	K02911958	FAN MOUNT BRACKET - R	1	EA	Not available online / Call for pricing and availability
8	PE950154	FAN EVAP HORIZ AF AR 30 (See TR-0063-SP Fan Bulletin)	1	EA	See TR-0063-SP Fan Bulletin
<p>Comments for Part Num. PE950154</p> <p>gboltz@VikingRange.com on Apr 18, 2019</p> <p>See TR-0063-SP Fan Bulletin</p>					
9	L20911932	COVER EVAP LOWER AF 30	1	EA	Not available online / Call for pricing and availability

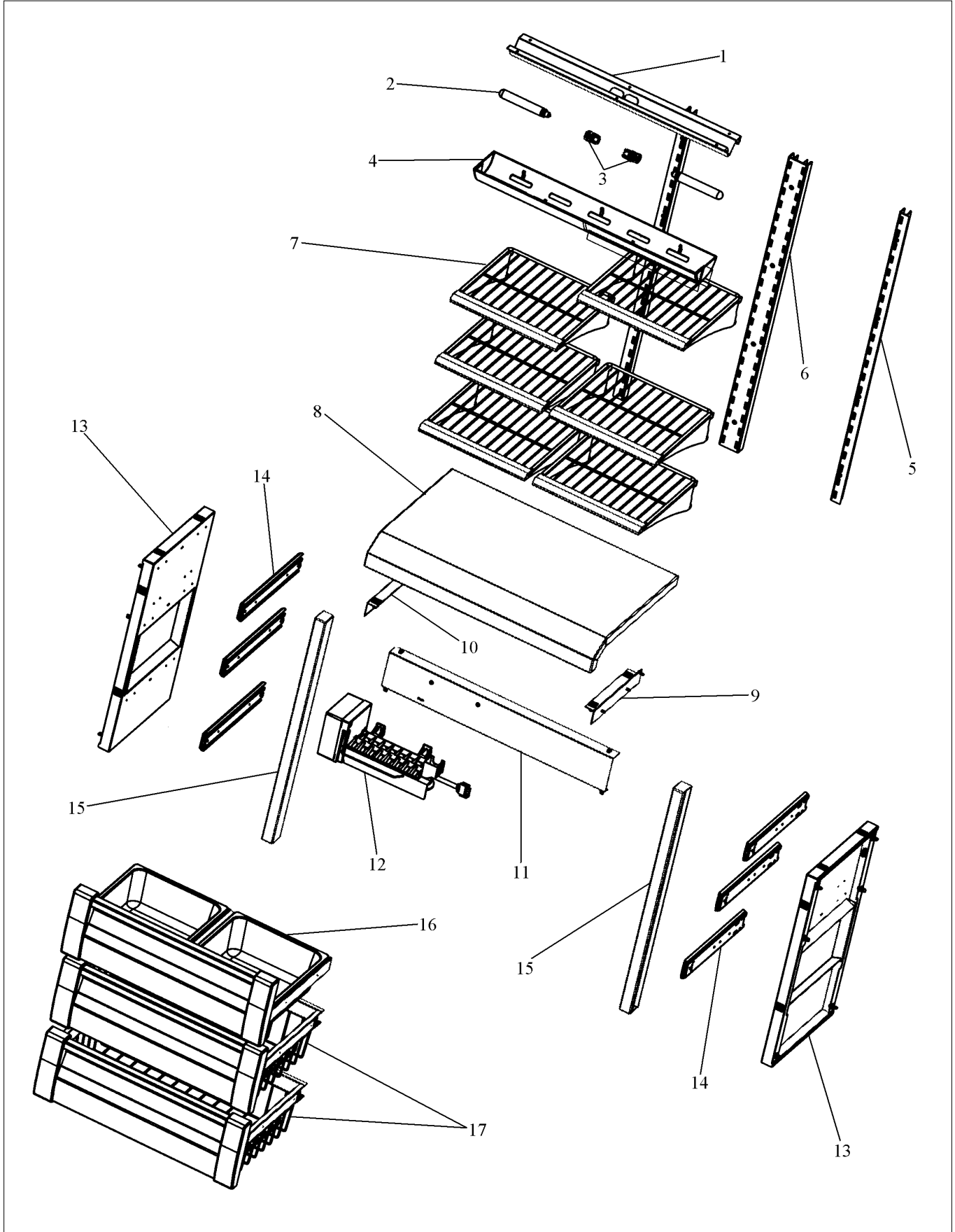
HIGH SIDE ASSEMBLY





Item	Part No.	Name	Qty	Uom	NOTES
1	F2096507	TUBE-PROCESS GRN	1	EA	
2	050894-000	ASSY, BKT, PWR SUPPLY, 24VDC, REF	1	EA	
3	10547001	CLIP-DRIER V10547001	1	EA	
4	10835901	GROMMET RUBBER V10835901	1	EA	
5	F20910729	TUBE DISCHARGE AF AR 30	1	EA	
6	F2096504	TUBE-DRIER EXT	1	EA	
7	G5096494	COND. FAN ASSY	1	EA	
8	K20912569	BRACKET GRILLE SUPPORT	1	EA	
9	K20912570	DIVERTER AIR HI SIDE 30	1	EA	Not available online / Call for pricing and availability
10	M0103904	CLAMP-SPEED	1	EA	NO LONGER AVAILABLE, Not available online / Call for pricing and availability
11	M0211018	SCREW-SM	1	EA	
12	M0221523	SCREW - SHLDR	1	EA	
13	PB920171	CONDENSER ASM	1	EA	
14	PC920204	HINGE ASM UL	1	EA	
Not Shown	PC920203	HINGE ASM UR	1	EA	
15	PD020194	SCR, HEX SRTD WSHR HD, #8- 18 X 1/2	1	EA	
16	000570-000	FASTENER, BOLT, 1/4-20 IHXWS 1" S ZN SER	1	EA	
17	PE950149	SWITCH POWER	1	EA	
18	011666-000	INVERTER,CMPR,ASM	1	EA	
Comments for Part Num. 011666-000					
gboltz@VikingRange.com on Aug 9, 2018					
See 2018-01P Parts Bulletin					
19	G5097976	Compressor Assembly (Includes Drier)	1	EA	
20	PM010616	DRIER - HIGH SIDE	1	EA	

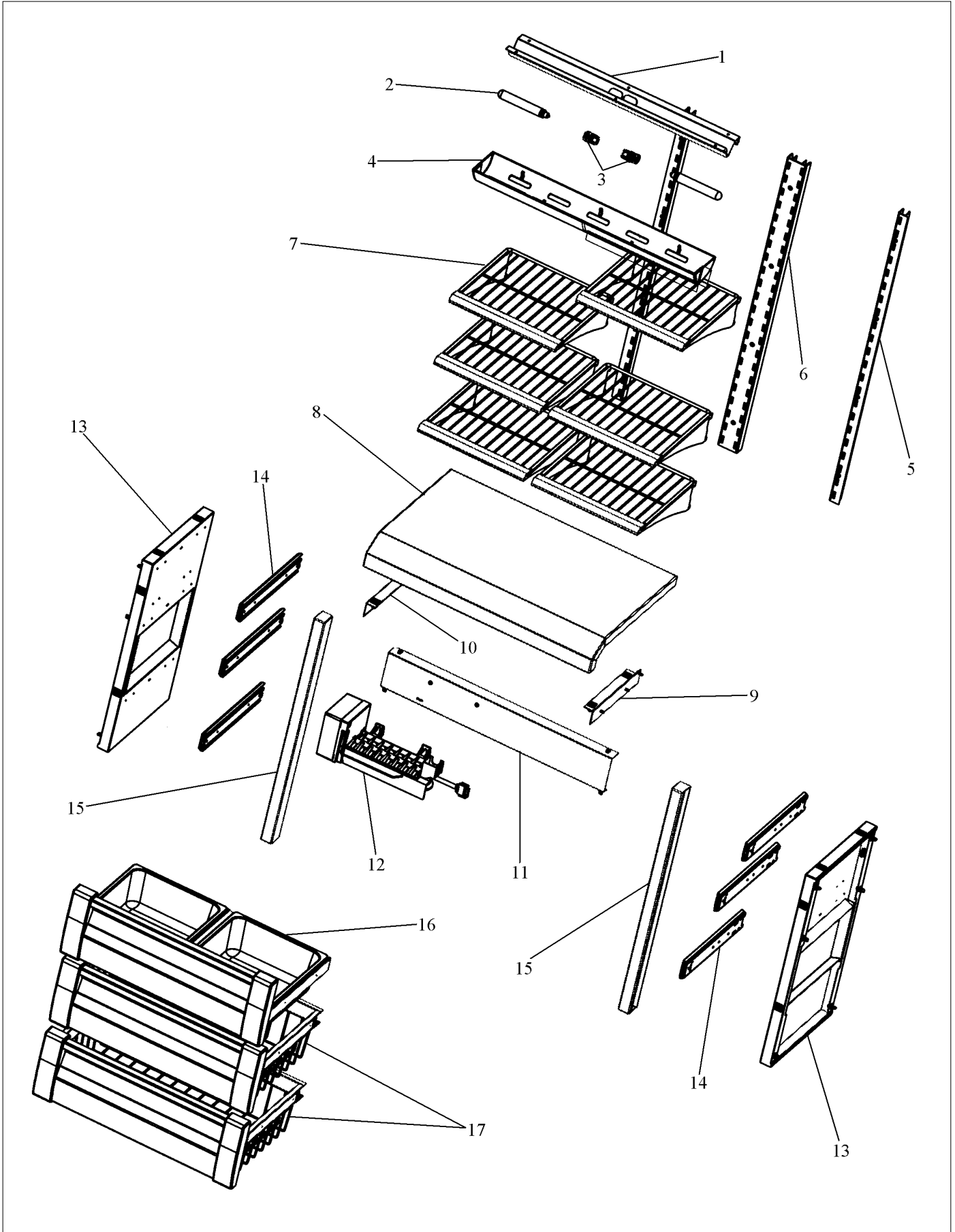
INTERIOR CABINET ASSY







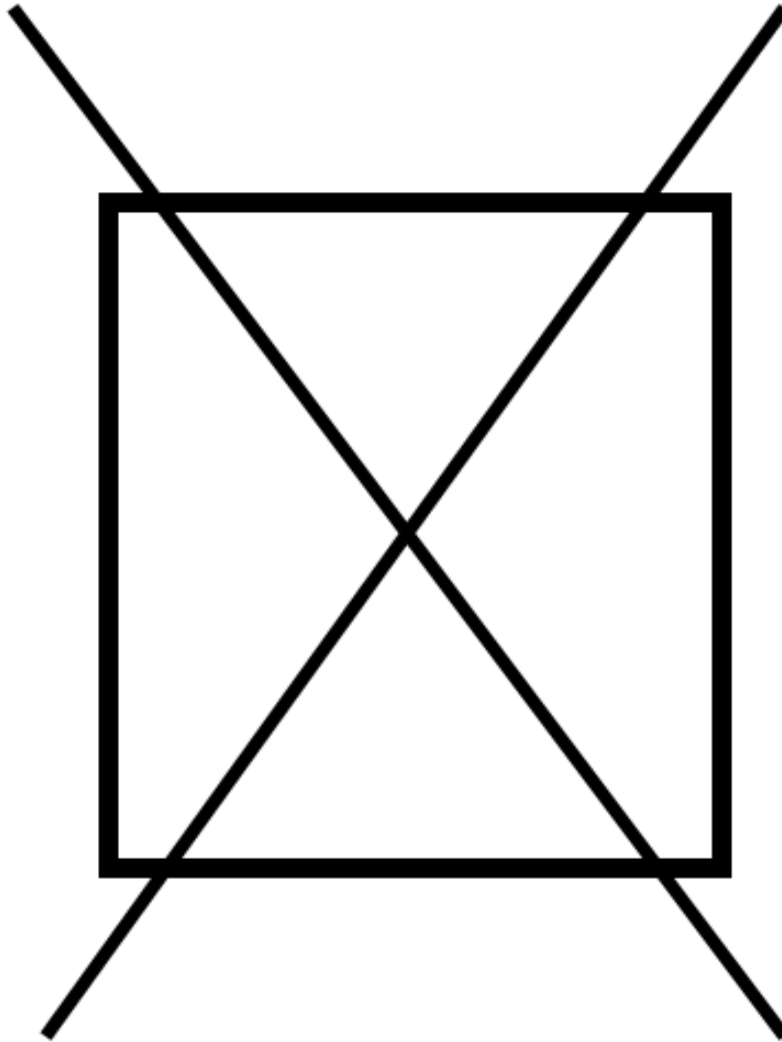
Item	Part No.	Name	Qty	Uom	NOTES
1	L2099492	BRACKET LIGHT SXS 48 FF	1	EA	
2	004528-000	LAMP, 40 WATT CLEAR LIGHT	1	EA	
3	PE950125	LIGHT SOCKET	1	EA	
4	020114-000	COVER LIGHT ASM AF/AR 30 SXS 48 FF	1	EA	
5	PM910282	LADDER SIDE	1	EA	
6	PM910285	LADDER CENTER	1	EA	
7	PM910298	SUB TO PM910405 - SHELF WIRE FZ	1	EA	NO LONGER AVAILABLE, Not available online / Call for pricing and availability
8	G50911931	SHELF ICE ASM UPPER AF 30	1	EA	
9	K20911929	BRACKET ICE SHELF R	1	EA	
10	K20911928	BRACKET ICE SHELF L	1	EA	
11	C20911142	PLATE IM MOUNT AF 30	1	EA	
12	G50911858	ICE MAKER ASM, NLA, order components, see TR-0023C-SP	1	EA	NO LONGER AVAILABLE





Item	Part No.	Name	Qty	Uom	NOTES
<p>Comments for Part Num. G50911858</p> <p>jennifer@thetrend.com on Feb 12, 2016 It would be nice to have the ice maker in the right location. Even better if it gave the right part number.</p> <p>vharding68@verizon.net on Mar 16, 2016 Doesn't matter where it is or the part number....There has been a bulletin on these ice makers since November of 2007 (Btw...it is superseded by another bulletin that is prior to that date). Bulletin number TR-0023B-SP</p> <p>Val @ bob's, pa bradleysapplianceservice@shaw.ca on Sep 1, 2016 SERVICE BULLETIN: TR-0023B-SP SUBS TO: 002252-000 ICE MAKER MODULE 002251-000 ICE MAKER BAIL ARM 002253-000 ICE MAKER WIRE HARNESS</p> <p>platinumcares@aol.com on Dec 4, 2017 i/m assy #002252-000 wire harness 002253-000 arm # 002251-000</p> <p>you will need all three</p>					
13	G50911176	BRKT SIDE GLIDE MOUNT ASM	1	EA	
14	PM910417	SLIDE 3 MEMBER 12 IN W/ LVR DISCONNECT	1	EA	NO LONGER AVAILABLE
15	G50911181	TRIM ASM SIDE AF 36 30	1	EA	
16	G50911316	DRAWER ICE ASM AF 30	1	EA	
17	G50911315	DRAWER BASKET ASM AF 30	1	EA	

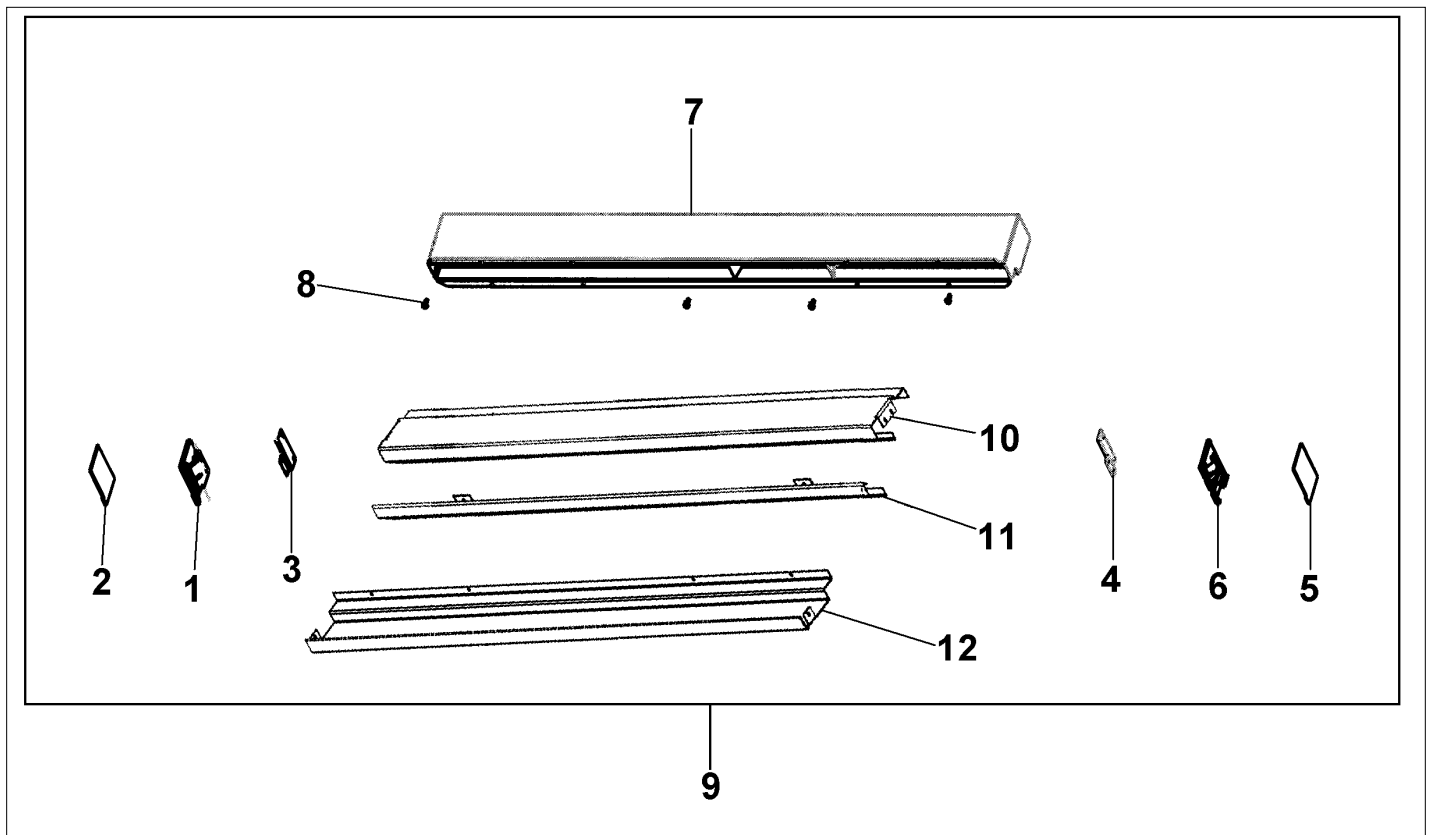
NON  
ILLUSTRATED PART





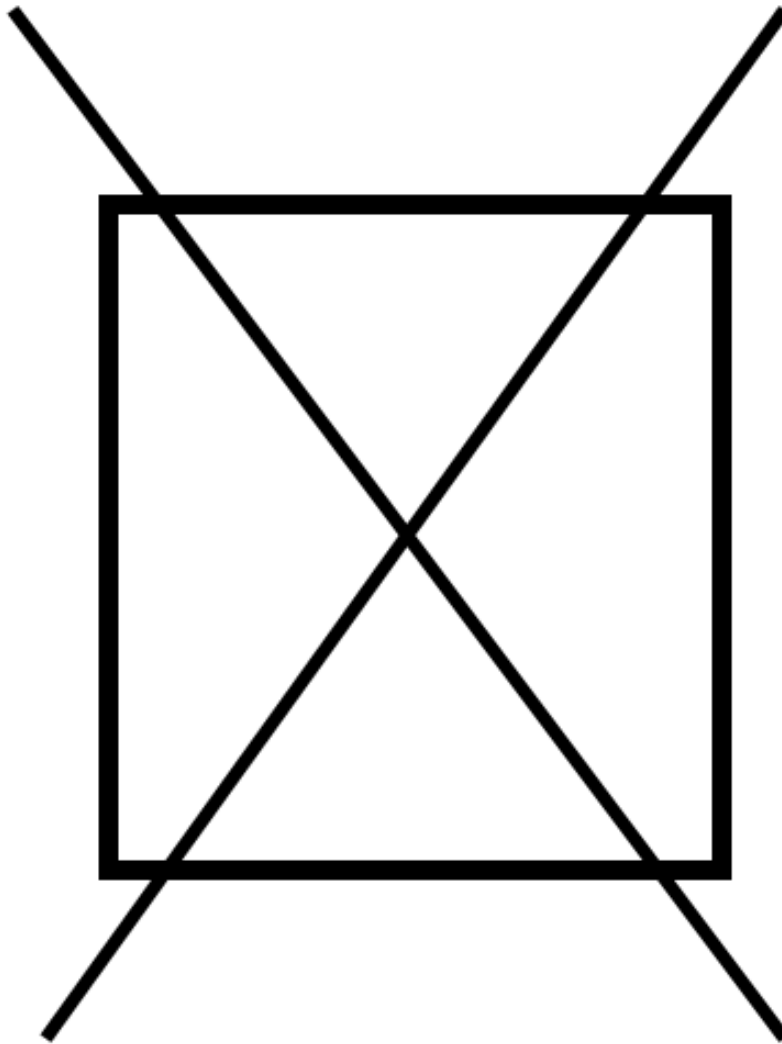
Item	Part No.	Name	Qty	Uom	NOTES
1	PK920066	TRIM, EXTRU, SIDE DES	1	EA	
2	060891-000	LEVELER MODULE L	1	EA	
3	060890-000	LEVELER MODULE R	1	EA	
4	10270203	HOUSING-LIGHT V10270203	1	EA	
5	10281601	SOCKET-SGL LIGHT	1	EA	
6	004528-000	LAMP, 40 WATT CLEAR LIGHT	1	EA	
7	PK930346	COVER LIGHT	1	EA	
8	C20911329	SWITCH MOUNT	1	EA	Not available online / Call for pricing and availability
9	PE950146	SPDT SWITCH	1	EA	
10	G50911381	GRILLE TOE ASM 30 LH	1	EA	
Not Shown	G50911380	GRILLE TOE ASM COMPLETE 30 R	1	EA	
11	K20911976	BRACKET EVAP FAN ICE	1	EA	NO LONGER AVAILABLE
12	004551-000	AXIAL FAN	1	EA	
<p>Comments for Part Num. 004551-000</p> <p>gboltz@VikingRange.com on Jul 21, 2016</p> <p>View service bulletin TR-0052-SP before ordering fan, if applicable order kit instead of fan</p>					
13	PA970012	SINGLE WATER VALVE	1	EA	
14	G3298649	HINGE ASM COMPLETE LL	1	EA	
Not Shown	G3298648	HINGE ASM COMPLETE LR	1	EA	
15	PC920149	BAR-WC BOT HINGE LH	1	EA	
Not Shown	PC920166	HINGE ASM COMPLETE RR	1	EA	
16	PK920066	TRIM, EXTRU, SIDE DES	1	EA	
17	PC920204	HINGE ASM UL	1	EA	
Not Shown	PC920203	HINGE ASM UR	1	EA	
18	PC910015	SPRING EXTENSION	1	EA	

UPPER GRILLE ASSY



Item	Part No.	Name	Qty	Uom	NOTES
1	PM910349	END CAP GRILLE L	1	EA	
2	PM910071	COVER - END CAP 12119801	1	EA	
3	C9099471BK	BRACKET GRILLE SUPPORT DES L	1	EA	Not available online / Call for pricing and availability
4	C9099470BK	BRACKET GRILLE SUPPORT DES R	1	EA	Not available online / Call for pricing and availability
5	PM910072	COVER - END CAP	1	EA	
6	PM910348	ENP CAP GRILLE R	1	EA	
7	G9099202BK	AIR DUCT WELD ASM COMPLETE 30 *BK*	1	EA	NO LONGER AVAILABLE
8	M0238616	SCREW, SMALL	1	EA	
9	G32911143	GRILLE ASM AF AR 30 DES L	1	EA	
Not Shown	G32911151	GRILLE ASM AF AR 30 DES R	1	EA	
10	PM910406	GRILLE LOUVER UPPER AF AR 30 DES FOL	1	EA	
11	PM910407	GRILLE LOUVER MID AF AR 30 DES FOL	1	EA	
12	PM910408	GRILLE LOUVER LOWER AF AR 30 L DES FOL	1	EA	NO LONGER AVAILABLE
Not Shown	PM910420	GRILLE LOUVER LOWER AF AR 30 R DES FOL	1	EA	NO LONGER AVAILABLE
NI	PM910428	GRILLE SPACER AF AR 30 FOL	1	EA	NO LONGER AVAILABLE, Not available online / Call for pricing and availability

NON  
ILLUSTRATED PART







Item	Part No.	Name	Qty	Uom	NOTES
NI	044042-000	ALL FREEZER FLOAT SWITCH WIRING KIT	1	EA	
Not Shown	NOTE	(FOR UNITS MANUFACTURED BEFORE 1/9/13)		EA	



Appendix A:Pages Index

CONTROL ASSY ..... 1  
DOOR ASSY ..... 2  
EVAP AREA ..... 3  
HIGH SIDE ASSEMBLY ..... 4  
INTERIOR CABINET ASSY ..... 5  
LOWER UNIT, HINGES, TRIM ASSY ..... 6  
UPPER GRILLE ASSY ..... 7  
WIRING ..... 8



Appendix B:Parts Index

000570-000	4	G32911151	7
002670-000	1	G3298648	6
004528-000	5, 6	G3298649	6
004551-000	6	G50911176	5
005319-000	1	G50911181	5
011666-000	4	G50911315	5
016434-000	1	G50911316	5
020114-000	5	G50911380	6
036880-000	2	G50911381	6
044042-000	8	G50911858	5
050894-000	4	G50911931	5
060890-000	6	G5096494	4
060891-000	6	G5097976	4
10270203	6	G5099058	2
10281601	6	G9099202BK	7
10547001	4	K02911958	3
10835901	4	K20610061	1
10916507	1	K20910060	1
12064001	1	K20910062	1
12074703	1	K20911928	5
A4539601	1	K20911929	5
A4554817	1	K20911956	3
B2099073	2	K20911957	3
B2099075	2	K20911976	6
C20911142	5	K20912569	4
C20911329	6	K20912570	4
C9099073BK	2	K2096461	3
C9099073BT	2	K2096516	2
C9099073GG	2	K2098654	1
C9099073SG	2	K2099402	1
C9099075BK	2	L20911932	3
C9099075BT	2	L20911954	3
C9099075GG	2	L20911955	3
C9099075SG	2	L2099055	3
C9099470BK	7	L2099073WH	2
C9099471BK	7	L2099075WH	2
F20910729	4	L2099492	5
F2096504	4	M0103904	4
F2096507	4	M0104106	1
G32911143	7	M0204303	2
		M0211018	4



M0221523	4	PM910071	7
M0224128	1	PM910072	7
M0238616	1, 7	PM910282	5
M0238846	1	PM910285	5
M0288120	1	PM910298	5
M0585504	1	PM910325	1
M0585506	1	PM910348	7
PA970012	6	PM910349	7
PB070297	2	PM910406	7
PB920171	4	PM910407	7
PC040010	1	PM910408	7
PC910015	6	PM910417	5
PC920132	2	PM910420	7
PC920133	2	PM910428	7
PC920146	2		
PC920147	2		
PC920149	6		
PC920166	6		
PC920203	4, 6		
PC920204	4, 6		
PD020013	1		
PD020194	1, 4		
PD940092	2		
PE030166	2		
PE030166PVD	2		
PE070728	1		
PE940176	2		
PE950125	5		
PE950146	6		
PE950149	4		
PE950150	1		
PE950154	3		
PE950182	1		
PE970464	1		
PE970465	1		
PE970609	1		
PK920066	6, 6		
PK930226	2		
PK930332	1		
PK930346	6		
PM010616	4		