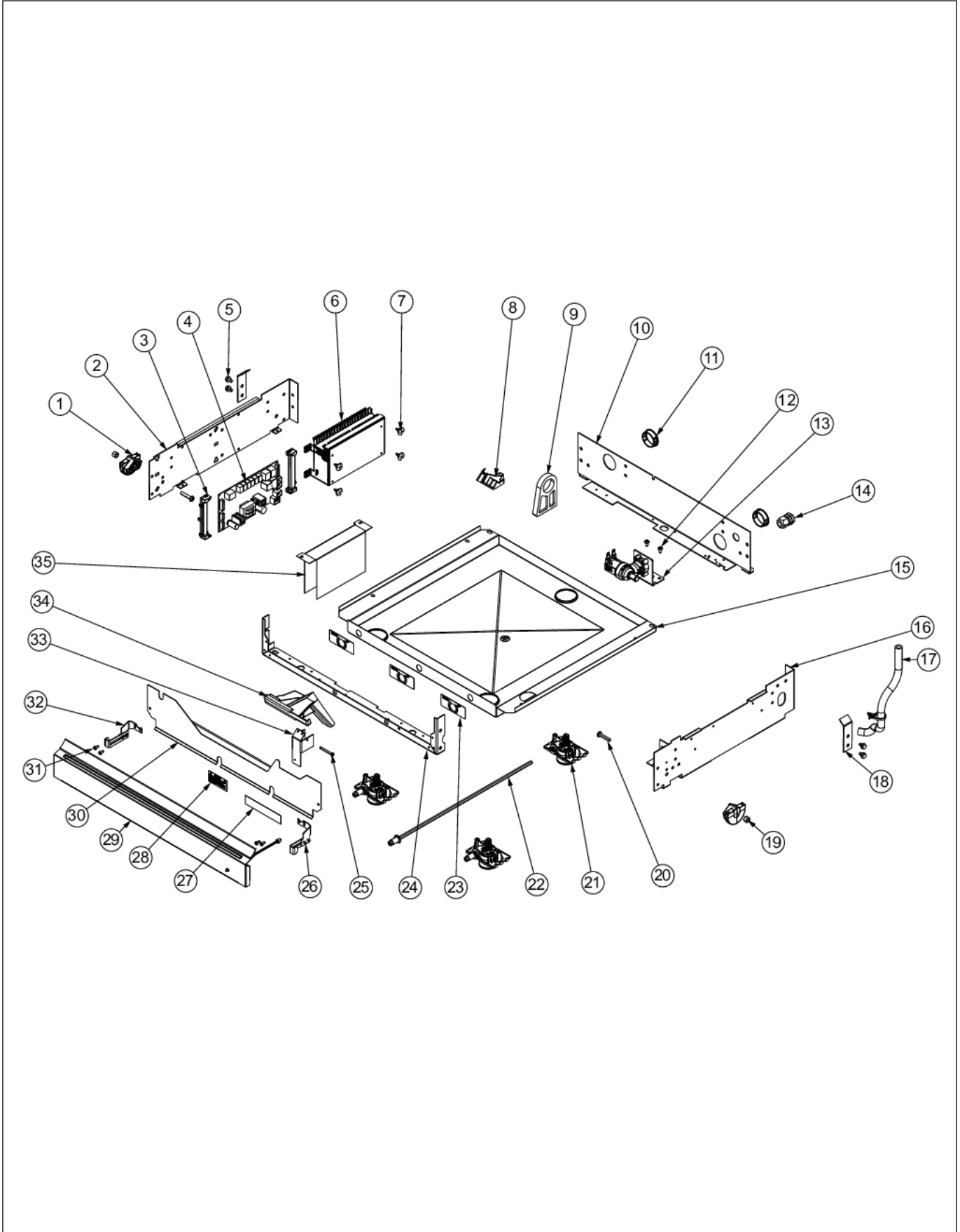


**DDB325E**

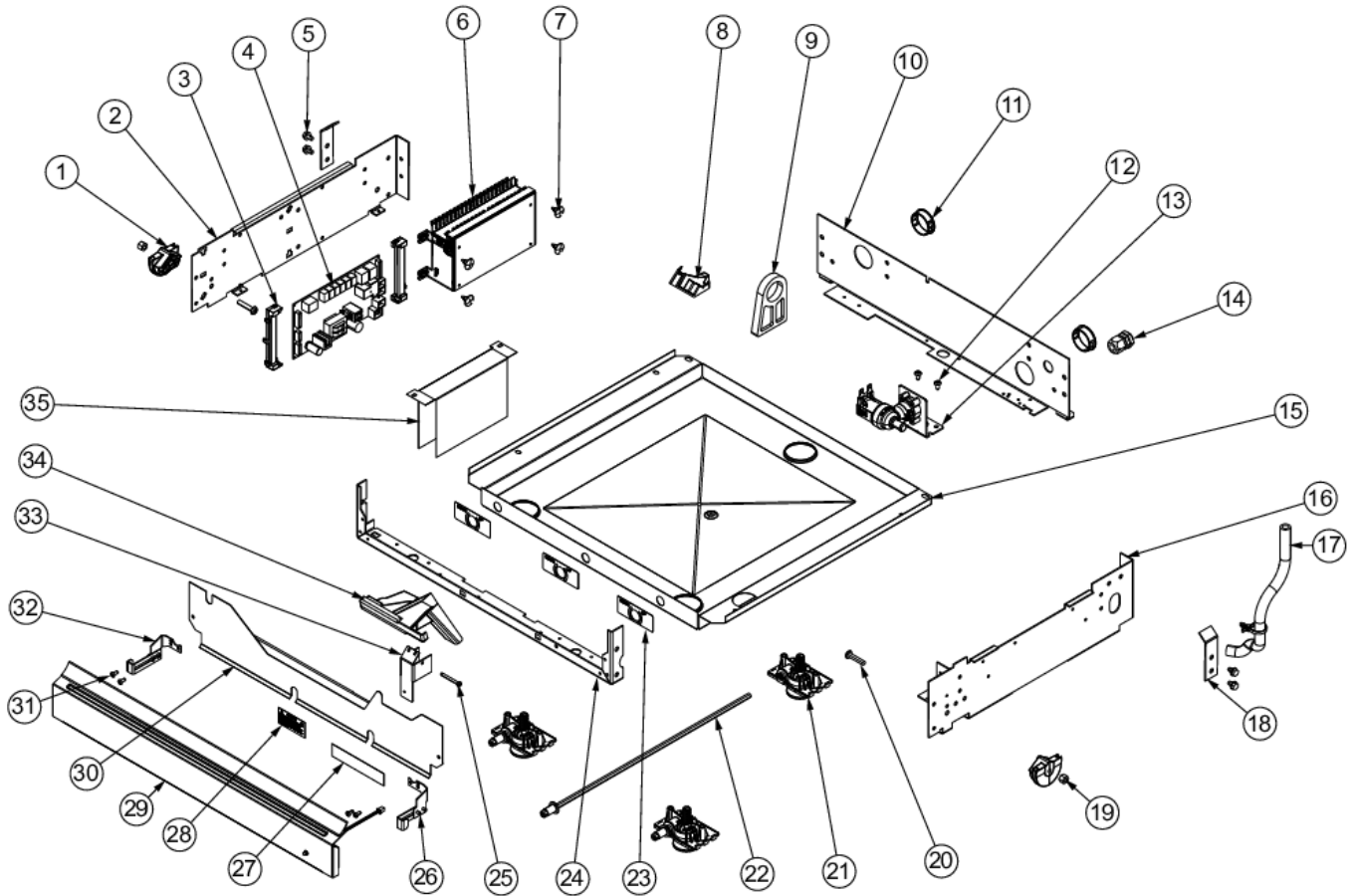
BASE .....	1
BOTTOM WELL .....	2
CABINET AREA .....	3
CONTROL PANEL .....	4
DOOR .....	5
HARNESS, DOOR-325 .....	6
HARNESS, HIGH VOLTAGE, BASE .....	7
HARNESS, LV BASE .....	8
RACKS .....	9
RETAINER, HARNESS .....	10
WASH SYSTEM .....	11
Appendix A:Pages Index .....	A
Appendix B:Parts Index .....	B



BASE



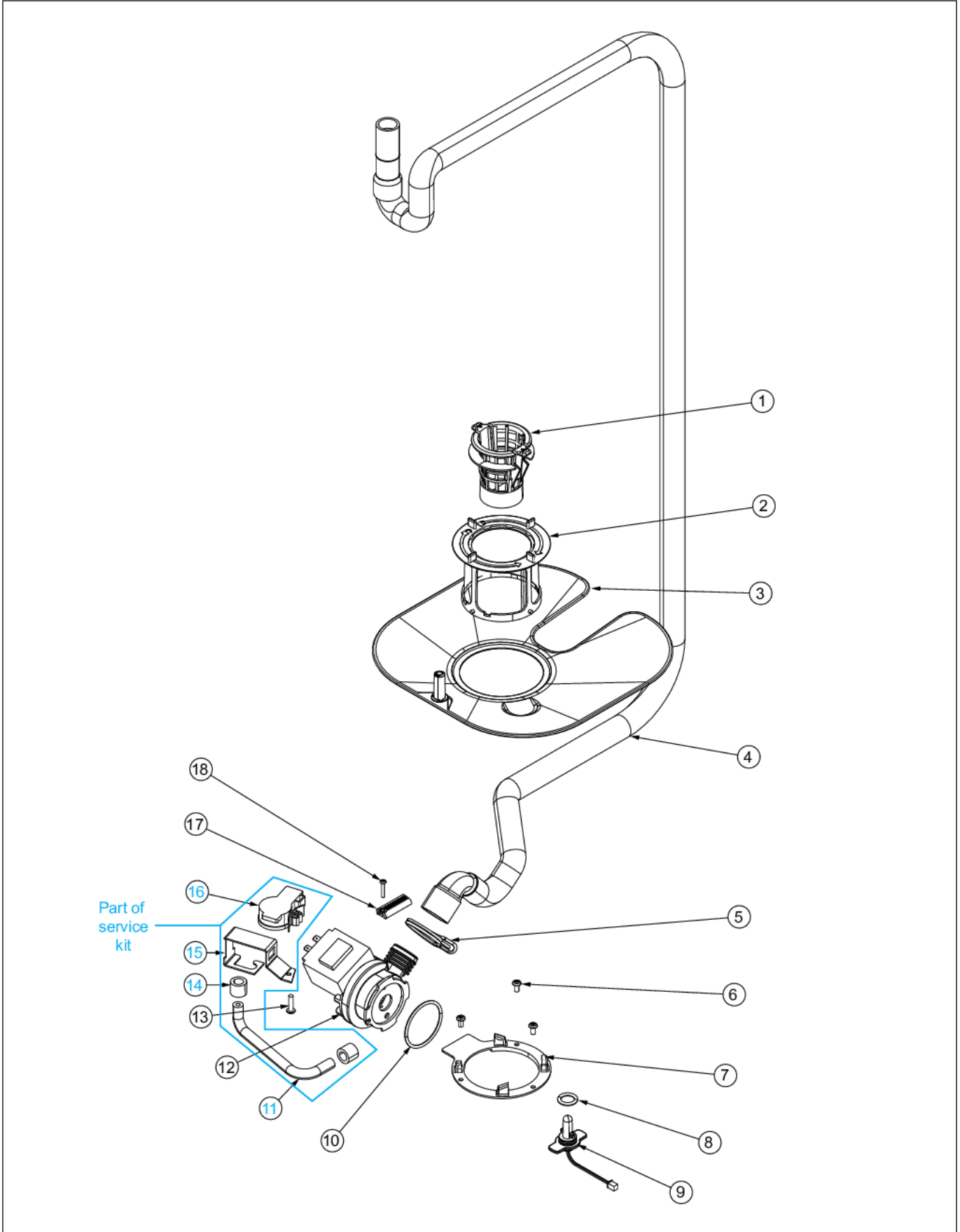
Item	Part No.	Name	Qty	Uom	NOTES
1	PM810488	DOOR DAMPENER PULLEY	2	EA	
2	023528-000	BASE, LEFT	1	EA	
3	PK030541	MOUNT, MACHINE CONTROLLER	1	EA	
4	031421-000	CONTROLLER, MACHINE, DISHWASHER-ELAN'	1	EA	
5	PD020255	1/4-20 X 3/8 HEX WSHR THD CUT ZINC	4	EA	
6	051144-000	MOTOR CONTROL BOARD SERVICE KIT	1	EA	
7	PC040020	NYLON TREE PUSH-IN RIVETS	4	EA	
8	000380-000	SUPPORT, MOTOR	1	EA	
9	000370-000	MOUNT, MOTOR	1	EA	NO LONGER AVAILABLE
10	023516-000	BASE, REAR	1	EA	
11	PD040163	BUSHING, POWER CORD	2	EA	
12	PD020250	SCREW; #10-32 X 3/8 TORX, PAN, ZINC, TYPE F	2	EA	
13	029377-000	WATER VALVE ASSEMBLY S-101D	1	EA	
14	PE070209	STRAIN RELIEF	1	EA	Not available online / Call for pricing and availability
15	023489-000	PAN, BASE, BOTTOM, NLA	1	EA	
16	019005-000	RIGHT, SIDE BASE ASSY	1	EA	Not available online / Call for pricing and availability
17	023731-000	HOSE, 13.5" INLET VALVE TO AIR & WATER INLET	1	EA	
18	K2088871	CLAMP, TUB REAR	2	EA	
19	PD030179	1/4-20 HEX NYLON INSERT LOCK NUT	2	EA	
20	PD020265	1/4-20 x 1 1/4 TORX PAN HD MACHINE SCREW	2	EA	
21	G5088830	LEG LEVELING SYSTEM ASSEMBLY	3	EA	
22	PM810495	HEX BAR	1	EA	
23	PF031283	LABEL, LEVELING ARROWS	3	EA	
24	023534-000	BASE, FRONT	1	EA	





Item	Part No.	Name	Qty	Uom	NOTES
25	PD020215	SCREW, TYPE F, PAN, TORX, ZINC, 8-32 X 1.5", BLUNT	1	EA	
26	010851-000	BRACKET, ADJUSTABLE TOE KICK, RIGHT, ASSY	1	EA	
27	008797-000	LABEL, CAUTION, LEVELING LEG FEET	1	EA	
28	PF031188	WARNING DECAL	1	EA	
29	010984-000	PLATE, KICK, ASSY	1	EA	
30	024793-000	FRONT PANEL BRKT ASSY 325/450	1	EA	
31	PD020249	SCREW, #8-18 X 3/8, TYPE B, TORX, PAN HEAD, ZINC, BLUNT	4	EA	
32	010850-000	BRACKET, ADJUSTABLE TOE KICK, LEFT, ASSY	1	EA	
33	024110-000	BRACKET, OVERFLOW, MOUNTING	1	EA	
34	008560-000	CHANNEL, OVERFLOW	1	EA	
35	PB070338	SHIELD, DIELECTRIC	1	EA	
36	PE050229	FLOOD SENSOR	1	EA	

BOTTOM WELL

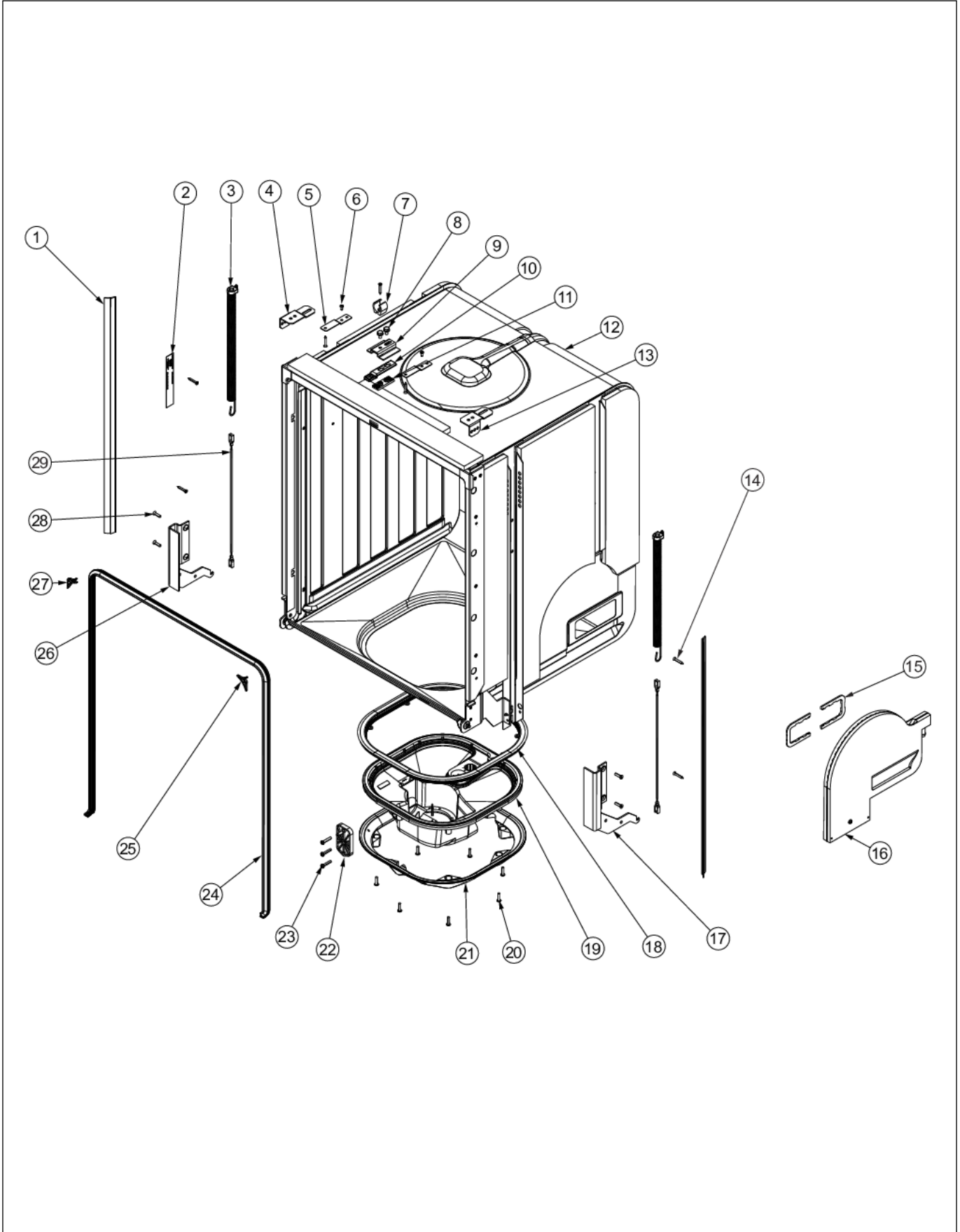






Item	Part No.	Name	Qty	Uom	NOTES
1	PB880032	TRAP, GLASS	1	EA	
2	G5088865	FINE FILTER ASSEMBLY	1	EA	
3	019381-000	FILTER, PRIMARY ASSY	1	EA	
4	PB820205	HOSE, DRAIN	1	EA	
5	PD030164	CLAMP, DOUBLE WIRE, HOSE, .126	1	EA	
6	009039-000	SCREW, #10 X 3/8 PHIL PAN HD PLASTITE 18-8 PASSIVATED	3	EA	Not available online / Call for pricing and availability
7	PD830110	FILTER LOCKING PLATE	1	EA	
8	020784-000	TEMPERATURE SENSOR ASSY W/O-RING	1	EA	
9	020784-000	TEMPERATURE SENSOR ASSY W/O-RING	1	EA	
10	PB870195	O-RING, DRAIN PUMP	1	EA	
11	019416-000	HUBA ASM, DISHWASHER	1	EA	
12	006521-000	PUMP, DRAIN ASM	1	EA	
13	PD020253	SCREW; #10 16x.75, 304SS, PLASTITE, PAN, TORX	1	EA	
14	012197-000	BARBLOCK, PRESSURE SENSOR	2	EA	
15	006985-000	BRACKET, PRESSURE SENSOR - NLA	1	EA	
16	PD160016	PRESSURE SENSOR (8073839)	1	EA	
<p>Comments for Part Num. PD160016</p> <p>gboltz@VikingRange.com on Jan 7, 2016 Order antifret to go with the pressure sensor, antifret part # 019313-000 bradleysapplianceservice@shaw.ca on Aug 19, 2016 ACCORDING TO VIKING PARTS, WHEN ORDERING 019313-000 ANTI-FRETTING LUBRICANT, THEY STATE THAT THIS IS NO LONGER AVAILABLE AND TO SOURCE THIS FROM A LOCAL AUTO PARTS STORE.</p>					
17	PK830239	DRAIN FILTER	1	EA	
18	PD020245	SCREW, #6-19 X 3/4 TORX, PAN HEAD, PLASTITE, 304SS	1	EA	

CABINET AREA



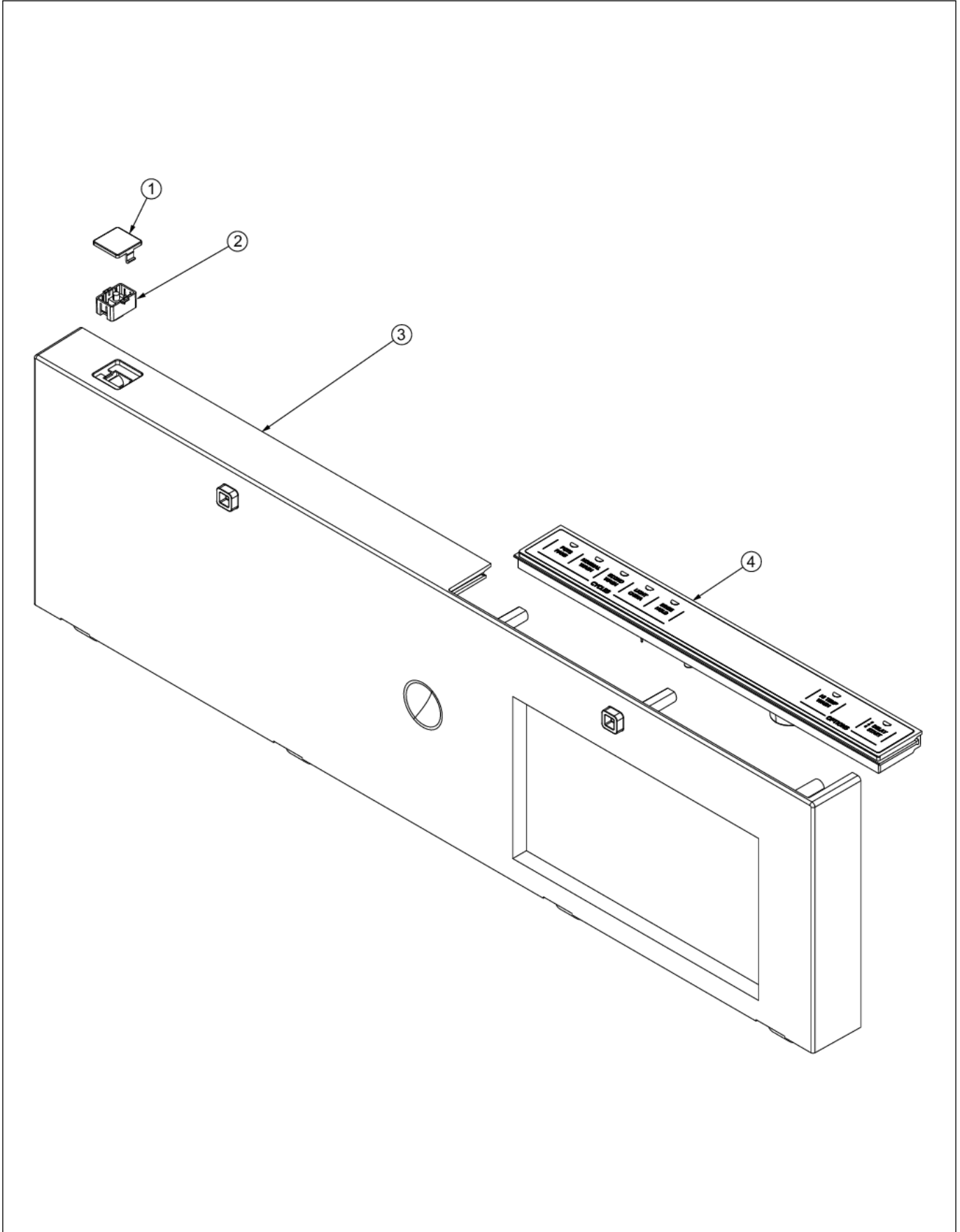
Item	Part No.	Name	Qty	Uom	NOTES
1	013449-000	EDGING, MOUNTING TRIM, 325	1	EA	
2	NON-SERVICEABLE	PLATE, SERIAL	1	EA	
3	002298-000	DAMPENER ASSEMBLY, DOOR	2	EA	
4	016599-000	BRACKET, MTG, TOP , LEFT	1	EA	
5	000572-000	CLIP, MTG	2	EA	
6	PD020249	SCREW, #8-18 X 3/8, TYPE B, TORX, PAN HEAD, ZINC, BLUNT	2	EA	
7	002547-000	BRACKET, FLEX MTG	1	EA	
8	PD010019	BLT-1/4-20X3/8"HEX WASHER SERATED	2	EA	
9	NON-SERVICEABLE	MOUNT, STRIKER	1	EA	
10	NON-SERVICEABLE	DOOR, STRIKER	1	EA	
11	NON-SERVICEABLE	CLAMP, STRIKER	1	EA	
12	NON-SERVICEABLE	TUB WELDMENT, BITUMEN, 450	1	EA	
13	016606-000	BRACKET, MTG, TOP, CTR, R	1	EA	
14	001470-000	SCREW; #8, 18-8SS, FLAT HEAD, TORX, WOOD	7	EA	
15	PK830276	LOCK, AIR & WATER INLET	2	EA	
16	019978-000	AIR & WATER INLET ASSY- 325 MODELS	1	EA	
17	C93813632	HINGE, DOOR RIGHT PLATED	1	EA	
18	NON-SERVICEABLE	GASKET, SUMP	1	EA	
19	NON-SERVICEABLE	SUMP ASSEMBLY W/ PRESSURE SENSOR	1	EA	
20	PD020253	SCREW; #10 16x.75, 304SS, PLASTITE, PAN, TORX	7	EA	
21	NON-SERVICEABLE	RING, SUMP RETAINER	1	EA	
22	NON-SERVICEABLE	COVER, AIR CHAMBER-W/OVERMOLD	1	EA	
23	NON-SERVICEABLE	10 x 1" T-25 TORX TAMPER-RESISTANT PIN PAN HEAD BOS-SCREW 1022 STEEL ZINC CLEAR PLATE	3	EA	
24	NON-SERVICEABLE	SEAL, DOOR PERIMETER	1	EA	
25	NON-SERVICEABLE	FILLER, CORNER RIGHT	1	EA	
26	C93813631	HINGE, DOOR LEFT PLATED	1	EA	
27	NON-SERVICEABLE	FILLER, CORNER LEFT	1	EA	





Item	Part No.	Name	Qty	Uom	NOTES
28	PD020263	SCREW; 10-32 x 5/8 TORX, FLAT HD, MACHINE, 18-8SS	4	EA	
29	PM810487	DOOR DAMPENER CABLE	2	EA	

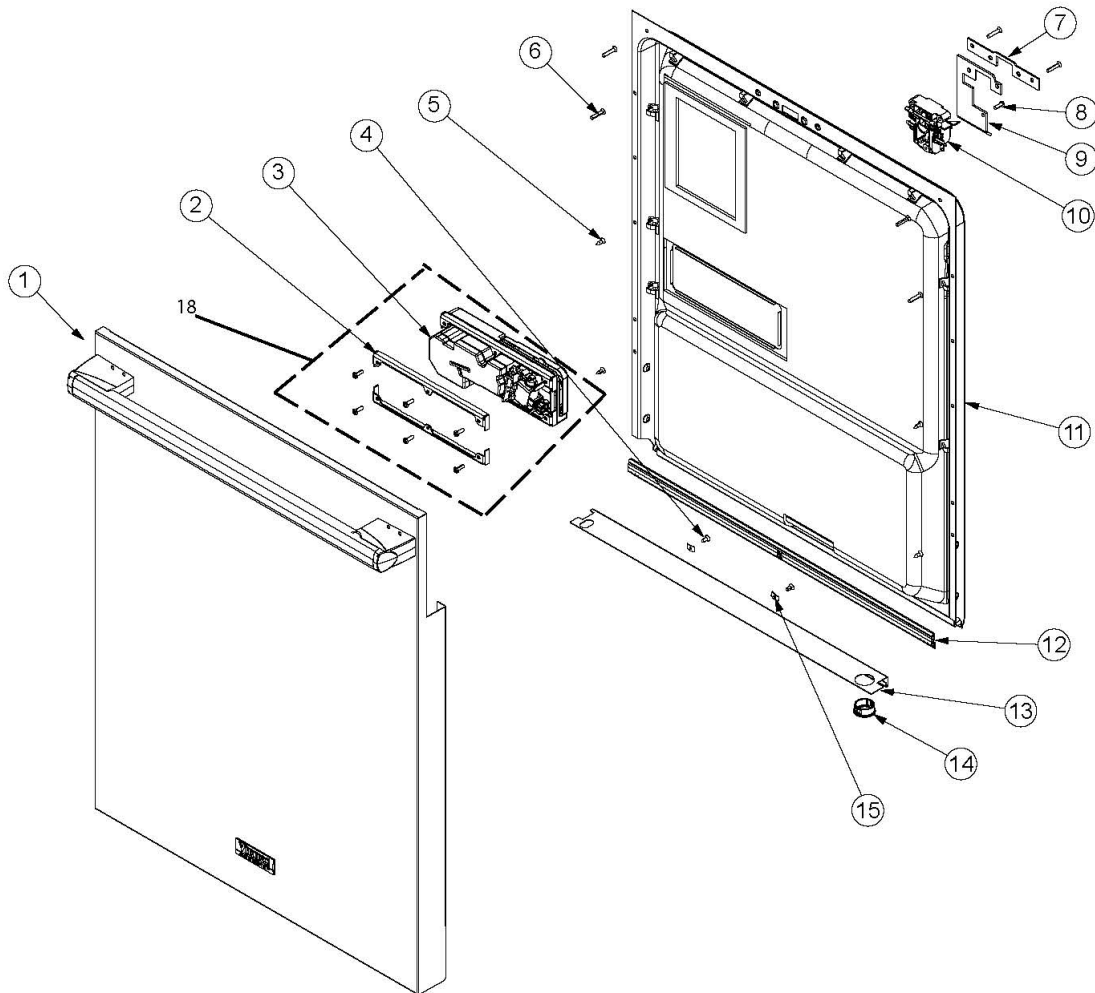
CONTROL PANEL





Item	Part No.	Name	Qty	Uom	NOTES
1	002702-000	BUTTON, START	1	EA	
2	PE050225	MAIN POWER SWITCH	1	EA	
3	028686-000	325 SERIES START SWITCH AND COVER KIT	1	EA	
4	024730-000	INTERFACE, USER, 325E ASSY	1	EA	

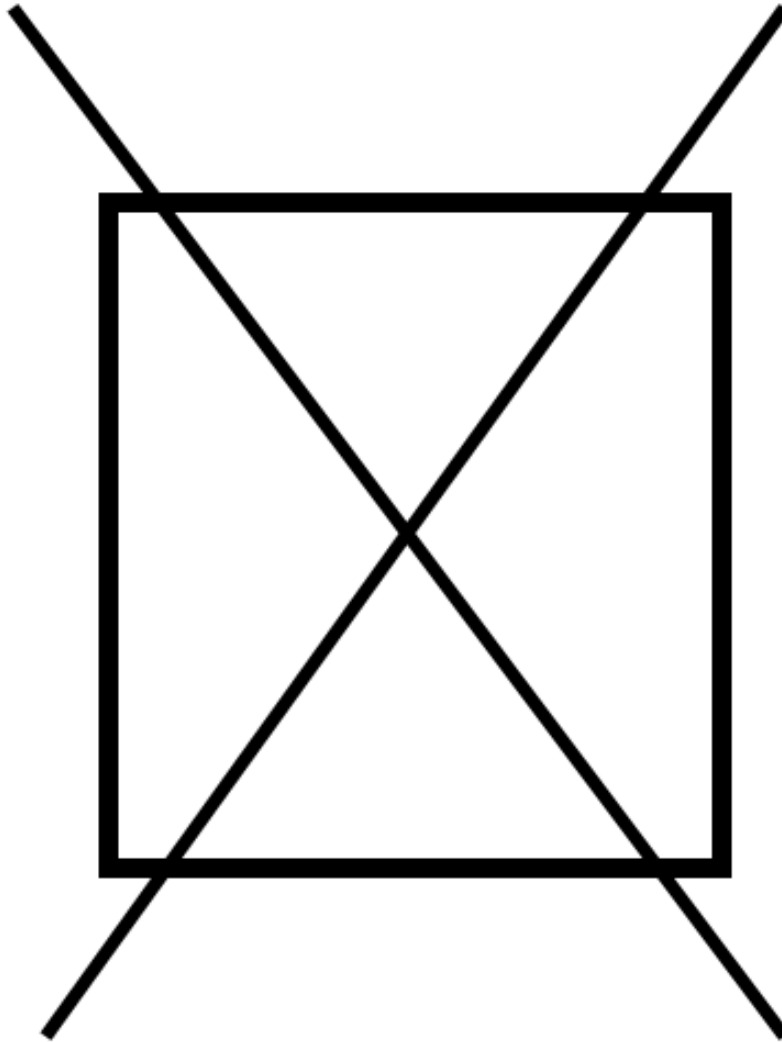
DOOR





Item	Part No.	Name	Qty	Uom	NOTES
1	019564-000	DOOR, SKIN, INTEGRATED, DSNR SS	1	EA	
2	PK050002	BRACKET, SOAP/RINSE-AID DISPENSER	1	EA	
Not Shown	NOTE	(MUST ORDER ITEM 16)		EA	
3	PM810482	DETERGENT/RINSE AID DISPENSER	1	EA	
Comments for Part Num. PM810482  profixappliances@gmail.com on Dec 13, 2017 REPLACED BY 010194-000 DETERGENT/RINSE AID DISPENSER					
Not Shown	NOTE	(MUST ORDER ITEM 16)		EA	
4	002550-000	TINNERMAN NUT	2	EA	
5	PD020264	SCREW, 8-18 x 3/8, TORX, FLAT HEAD, 304 SS, TYPE AB	4	EA	
6	PD020211	SCREW, PLASTITE, FLAT HEAD, TORX, 304SS, 8-16 X 0.75"	6	EA	
7	019464-000	SPACER, DOOR LATCH	1	EA	
8	008987-000	SCREW, #8 x 1/2" PAN TORX ZINC HIGH-LOW	7	EA	
9	000870-000	LATCH, BRACKET	1	EA	
10	013380-000	DOOR LATCH	1	EA	
11	025030-000	DOOR, INNER W BITUMEN 450	1	EA	
12	014072-000	SEAL, DOOR, LOWER	1	EA	
13	013743-000	BRACKET, DOOR, INNER, 325	1	EA	
14	009899-000	BUSHING, ENCLOSURE, HEATER, HEYCO SB-1.00-12	1	EA	
15	003655-000	#8-32 X 1/4 FLAT 18-8 PASSIVATED MACHINE TORX	2	EA	
16	010194-000	DETERGENT/RINSE AID DISPENSER KIT	1	EA	

NON  
ILLUSTRATED PART

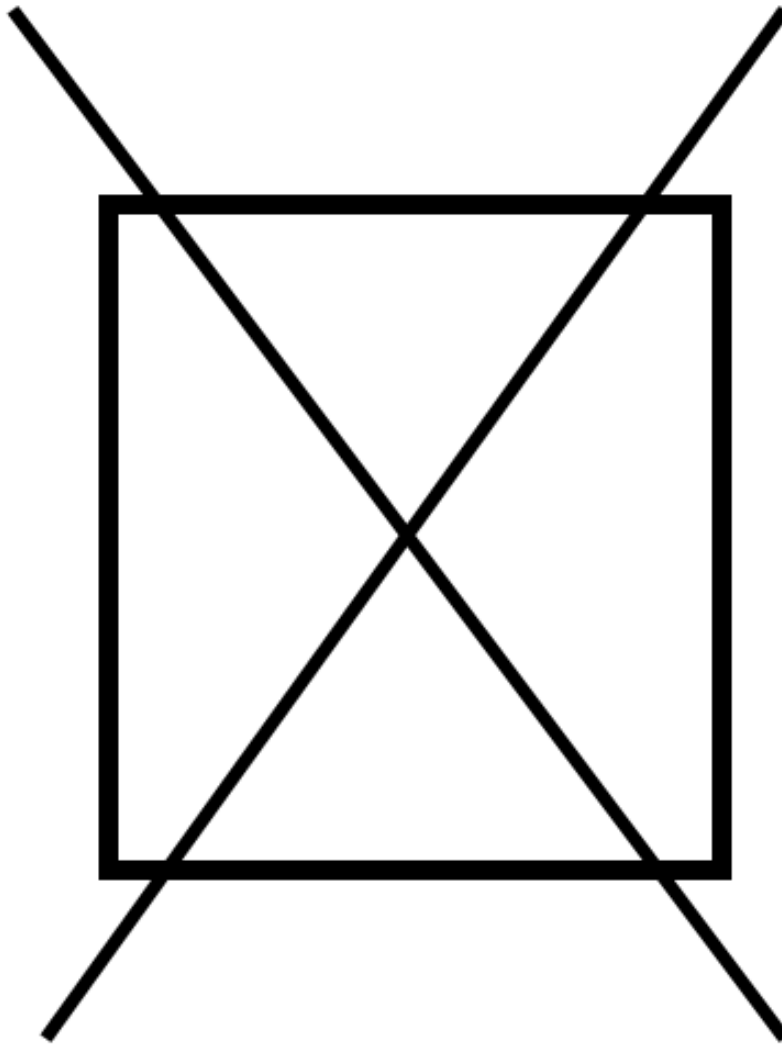




DDB325E

Item	Part No.	Name	Qty	Uom	NOTES
NI	023559-000	DOOR HARNESS	1	EA	

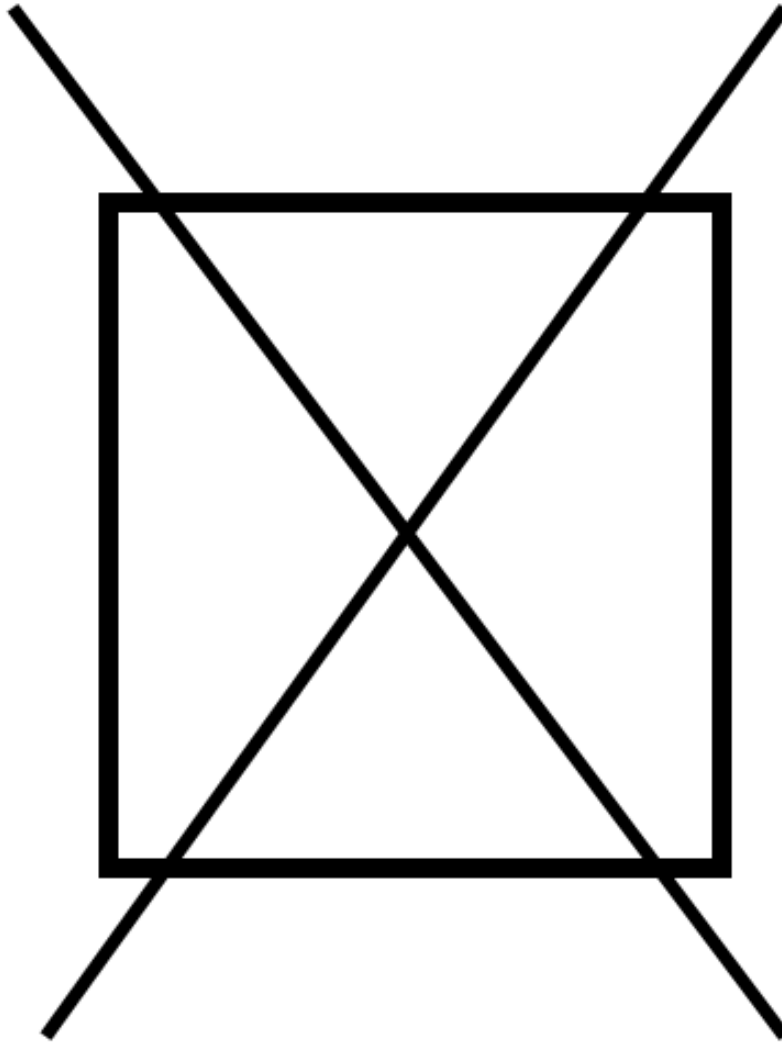
NON  
ILLUSTRATED PART





Item	Part No.	Name	Qty	Uom	NOTES
NI	021095-000	HIGH VOLTAGE HARNESS	1	EA	

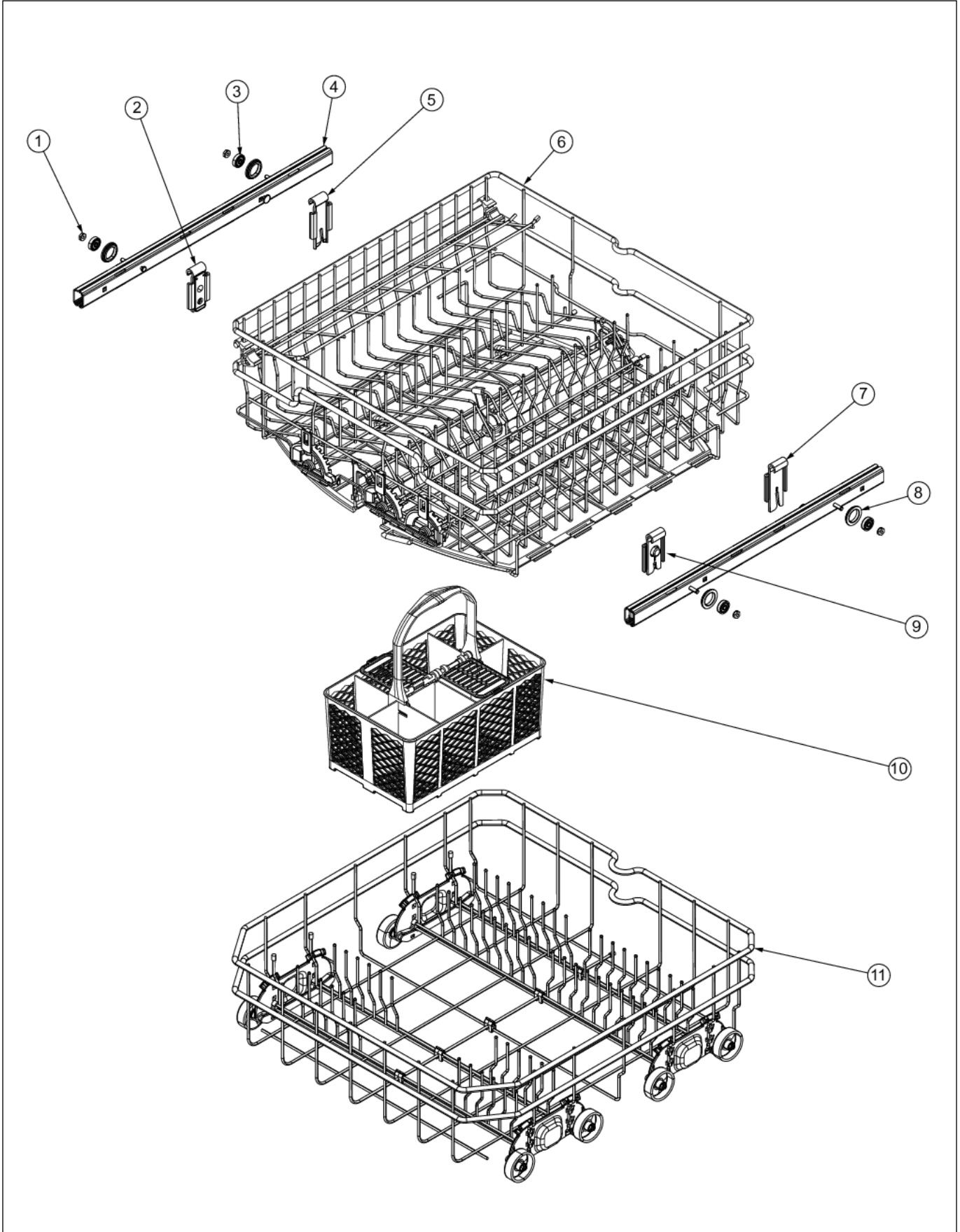
NON  
ILLUSTRATED PART





Item	Part No.	Name	Qty	Uom	NOTES
NI	023569-000	HARNESS, LV BASE	1	EA	

RACKS





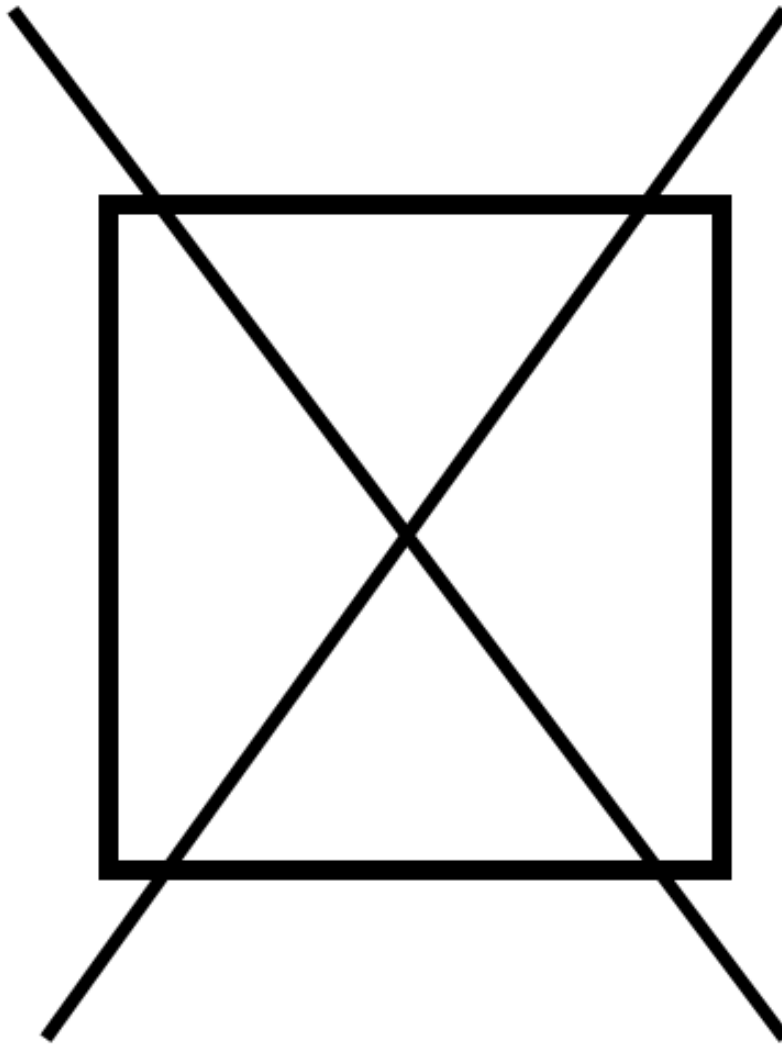


Item	Part No.	Name	Qty	Uom	NOTES
1	PD030156	NUT, W/TOOTHWASHER, ZINC, 10-32	4	EA	
2	005044-000	CLIP, RACK SLIDE-LEFT FRONT	1	EA	
3	PK030448	RACK SLIDE SPACER	4	EA	
4	005334-000	SLIDE, RACK	2	EA	
5	005039-000	CLIP, RACK SLIDE-LEFT REAR	1	EA	
6	013333-000	ULTRA PREMIUM UPPER RACK ASSEMBLY 325	1	EA	
7	006403-000	CLIP, RACK SLIDE-RIGHT REAR	1	EA	
8	PK030536	SLEEVE, SPACER	4	EA	
9	006404-000	CLIP, RACK SLIDE-RIGHT FRONT	1	EA	
10	G5088897	SILVERWARE BASKET ASSEMBLY	1	EA	
11	035340-000	ULTRA PREMIUM LOWER RACK ASSY - 301 - NLA	1	EA	

Comments for Part Num. 035340-000

bradleysapplianceservice@shaw.ca on Sep 14, 2017  
SUBS TO: 035340-000 LOWER RACK ASSEMBLY 325

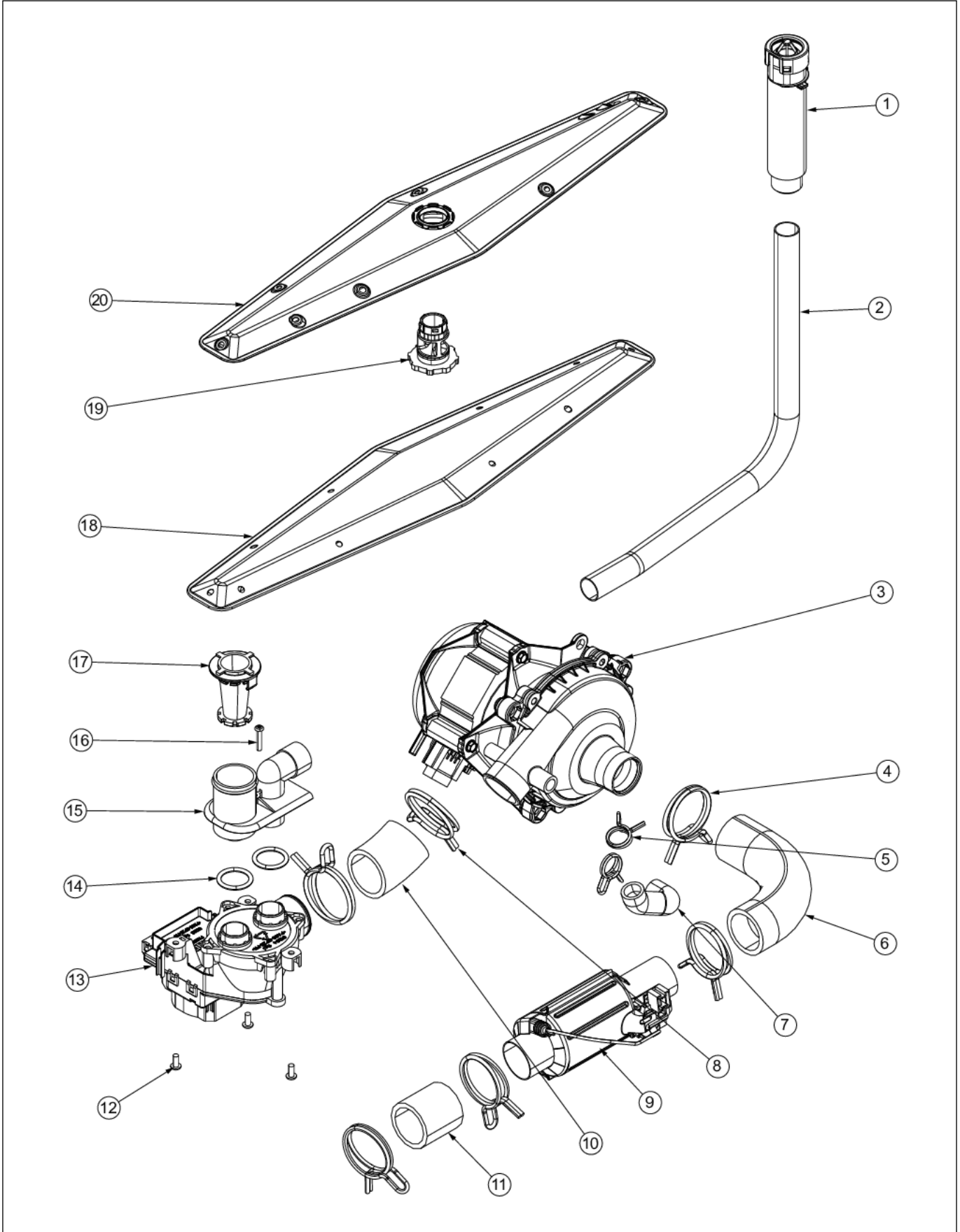
NON  
ILLUSTRATED PART





Item	Part No.	Name	Qty	Uom	NOTES
NI	PK030170	RETAINER, HARNESS	6	EA	
NI	001796-000	RETAINER, HARNESS	6	EA	

WASH SYSTEM





Item	Part No.	Name	Qty	Uom	NOTES
1	004062-000	REAR PORT ASSEMBLY	1	EA	
2	F2088867	CONDUIT, LOWER	1	EA	
3	019589-000	PUMP & MOTOR ASSEMBLY	1	EA	
4	PD030163	CLAMP, WIRE HOSE	4	EA	
5	PD030165	CLAMP, WIRE, HOSE	2	EA	
6	PB020262	HOSE, HEATER TO PUMP	1	EA	
7	PB020264	HOSE, PUMP TO PERIMETER SPRAYER	1	EA	
8	002283-000	CLAMP, DOUBLE WIRE, HOSE	2	EA	
9	038415-000	HEATER, FLOW-THROUGH, ZOPPAS 1200V	1	EA	
10	PB020263	HOSE, PUMP TO DIVERTER VALVE	1	EA	
11	PB020261	HOSE, SUMP TO HEATER	1	EA	
12	PD020262	SCREW, 8-14x3/8 TORX, PAN HEAD, PLASTITE, 304 SS	3	EA	
13	040626-000	DIVERTER VALVE KIT	1	EA	
14	PB870194	O-RING, DIVERTER VALVE	2	EA	
15	PM810359	VENTURI PLATE	1	EA	
16	PD020245	SCREW, #6-19 X 3/4 TORX, PAN HEAD, PLASTITE, 304SS	1	EA	
17	PK830260	LOWER SPRAY ARM VENTURI SPINDLE	1	EA	
18	G2188882	LOWER SPRAY ARM, ASSEMBLY	1	EA	
19	PK830375	MIDDLE SPRAY ARM LOCK NUT, 1/4 TURN	1	EA	
20	G2188879	MIDDLE SPRAY ARM, ASSEMBLY	1	EA	



Appendix A:Pages Index

BASE ..... 1  
BOTTOM WELL ..... 2  
CABINET AREA ..... 3  
CONTROL PANEL ..... 4  
DOOR ..... 5  
HARNESS, DOOR-325 ..... 6  
HARNESS, HIGH VOLTAGE, BASE ..... 7  
HARNESS, LV BASE ..... 8  
RACKS ..... 9  
RETAINER, HARNESS ..... 10  
WASH SYSTEM ..... 11



Appendix B:Parts Index

000370-000	1	019464-000	5
000380-000	1	019564-000	5
000572-000	3	019589-000	11
000870-000	5	019978-000	3
001470-000	3	020784-000	2, 2
001796-000	10	021095-000	7
002283-000	11	023489-000	1
002298-000	3	023516-000	1
002547-000	3	023528-000	1
002550-000	5	023534-000	1
002702-000	4	023559-000	6
003655-000	5	023569-000	8
004062-000	11	023731-000	1
005039-000	9	024110-000	1
005044-000	9	024730-000	4
005334-000	9	024793-000	1
006403-000	9	025030-000	5
006404-000	9	028686-000	4
006521-000	2	029377-000	1
006985-000	2	031421-000	1
008560-000	1	035340-000	9
008797-000	1	038415-000	11
008987-000	5	040626-000	11
009039-000	2	051144-000	1
009899-000	5	C93813631	3
010194-000	5	C93813632	3
010850-000	1	F2088867	11
010851-000	1	G2188879	11
010984-000	1	G2188882	11
012197-000	2	G5088830	1
013333-000	9	G5088865	2
013380-000	5	G5088897	9
013449-000	3	K2088871	1
013743-000	5	PB020261	11
014072-000	5	PB020262	11
016599-000	3	PB020263	11
016606-000	3	PB020264	11
019005-000	1	PB070338	1
019381-000	2	PB820205	2
019416-000	2	PB870194	11
		PB870195	2



PB880032 ..... 2  
PC040020 ..... 1  
PD010019 ..... 3  
PD020211 ..... 5  
PD020215 ..... 1  
PD020245 ..... 2, 11  
PD020249 ..... 1, 3  
PD020250 ..... 1  
PD020253 ..... 2, 3  
PD020255 ..... 1  
PD020262 ..... 11  
PD020263 ..... 3  
PD020264 ..... 5  
PD020265 ..... 1  
PD030156 ..... 9  
PD030163 ..... 11  
PD030164 ..... 2  
PD030165 ..... 11  
PD030179 ..... 1  
PD040163 ..... 1  
PD160016 ..... 2  
PD830110 ..... 2  
PE050225 ..... 4  
PE050229 ..... 1  
PE070209 ..... 1  
PF031188 ..... 1  
PF031283 ..... 1  
PK030170 ..... 10  
PK030448 ..... 9  
PK030536 ..... 9  
PK030541 ..... 1  
PK050002 ..... 5  
PK830239 ..... 2  
PK830260 ..... 11  
PK830276 ..... 3  
PK830375 ..... 11  
PM810359 ..... 11  
PM810482 ..... 5  
PM810487 ..... 3  
PM810488 ..... 1  
PM810495 ..... 1