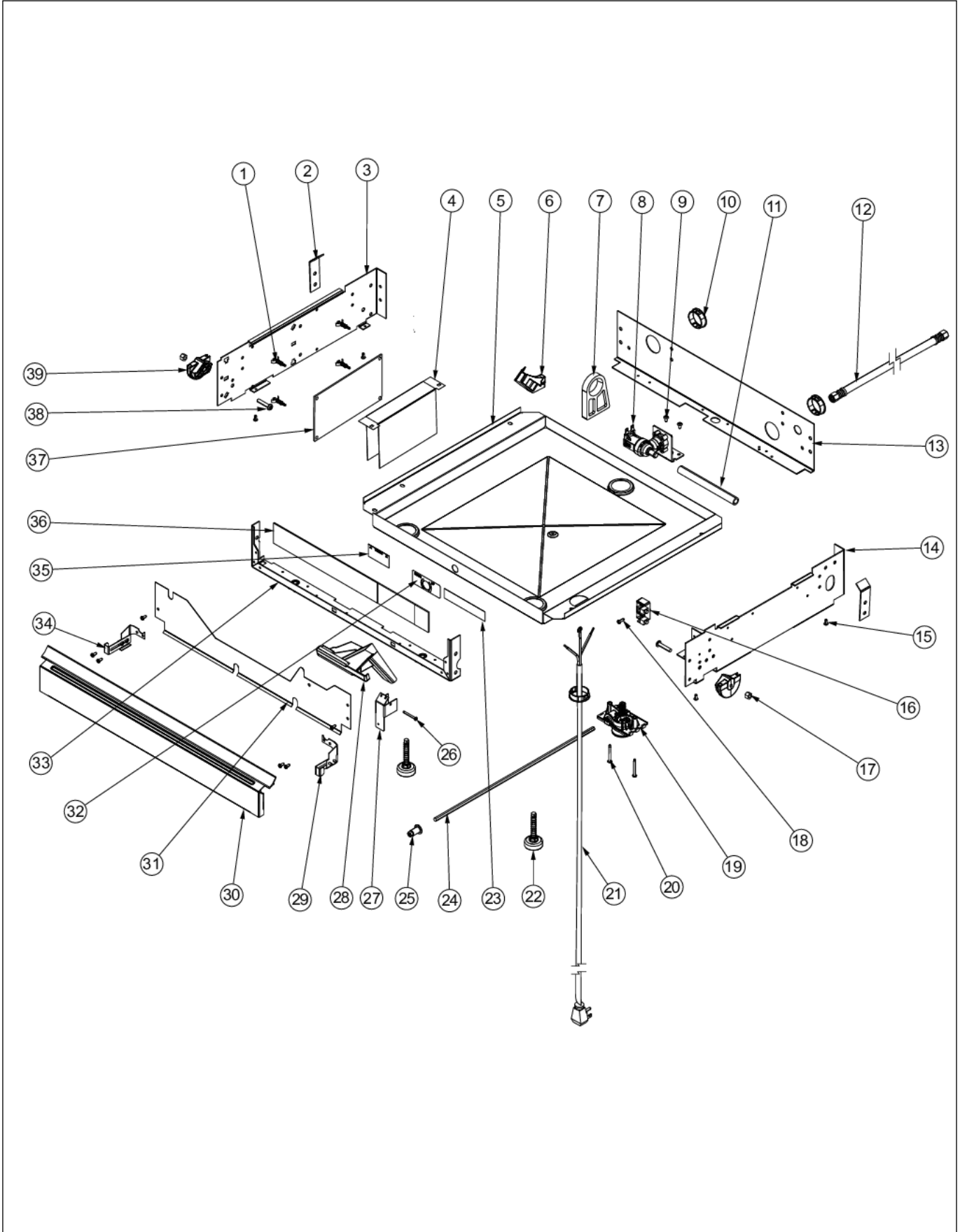


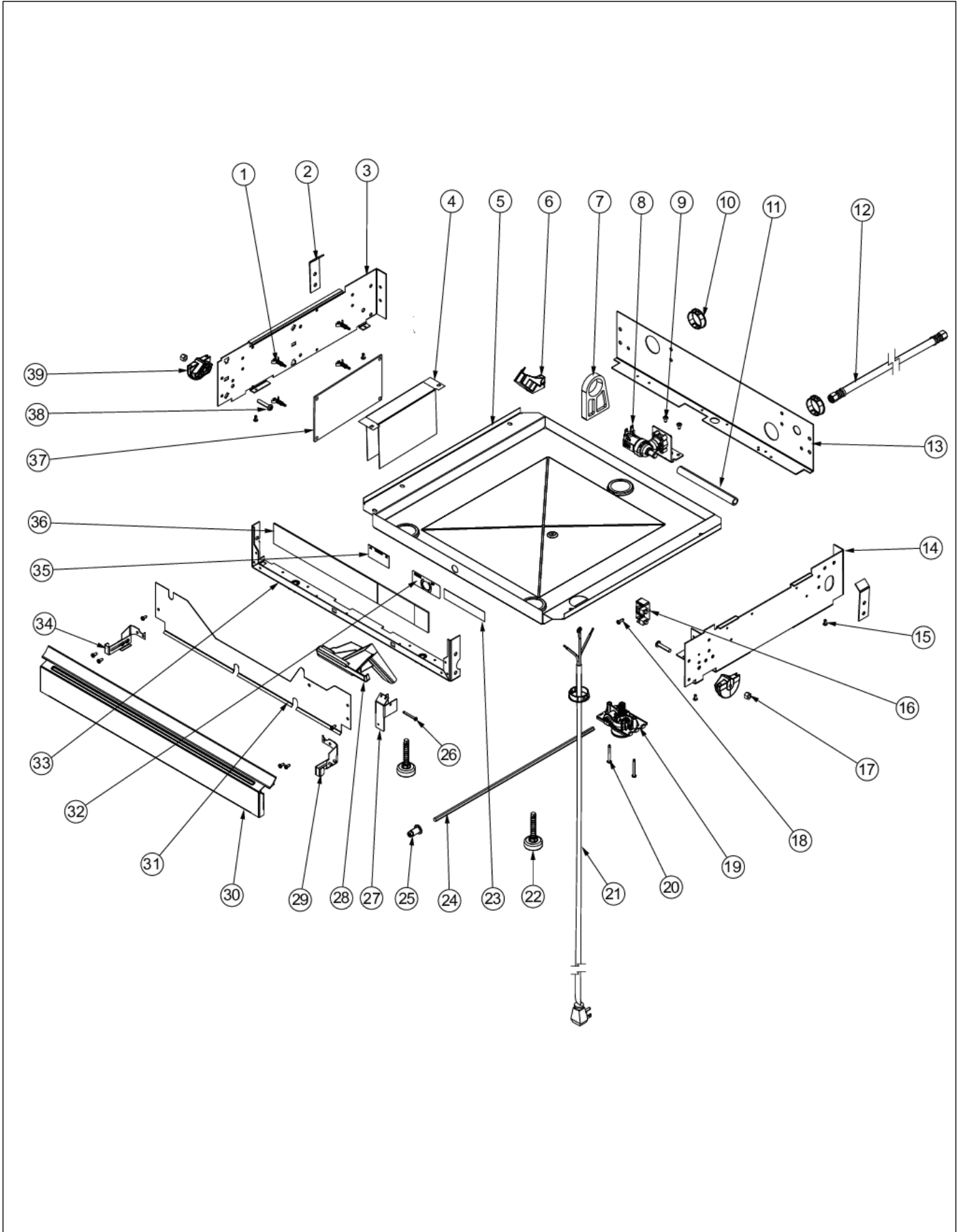
DDB200

BASE	1
BOTTOM WELL	2
CABINET	3
CONTROL PANEL	4
DOOR	5
RACKS	6
WASH SYSTEM	7
WIRING	8
Appendix A:Pages Index	A
Appendix B:Parts Index	B

BASE



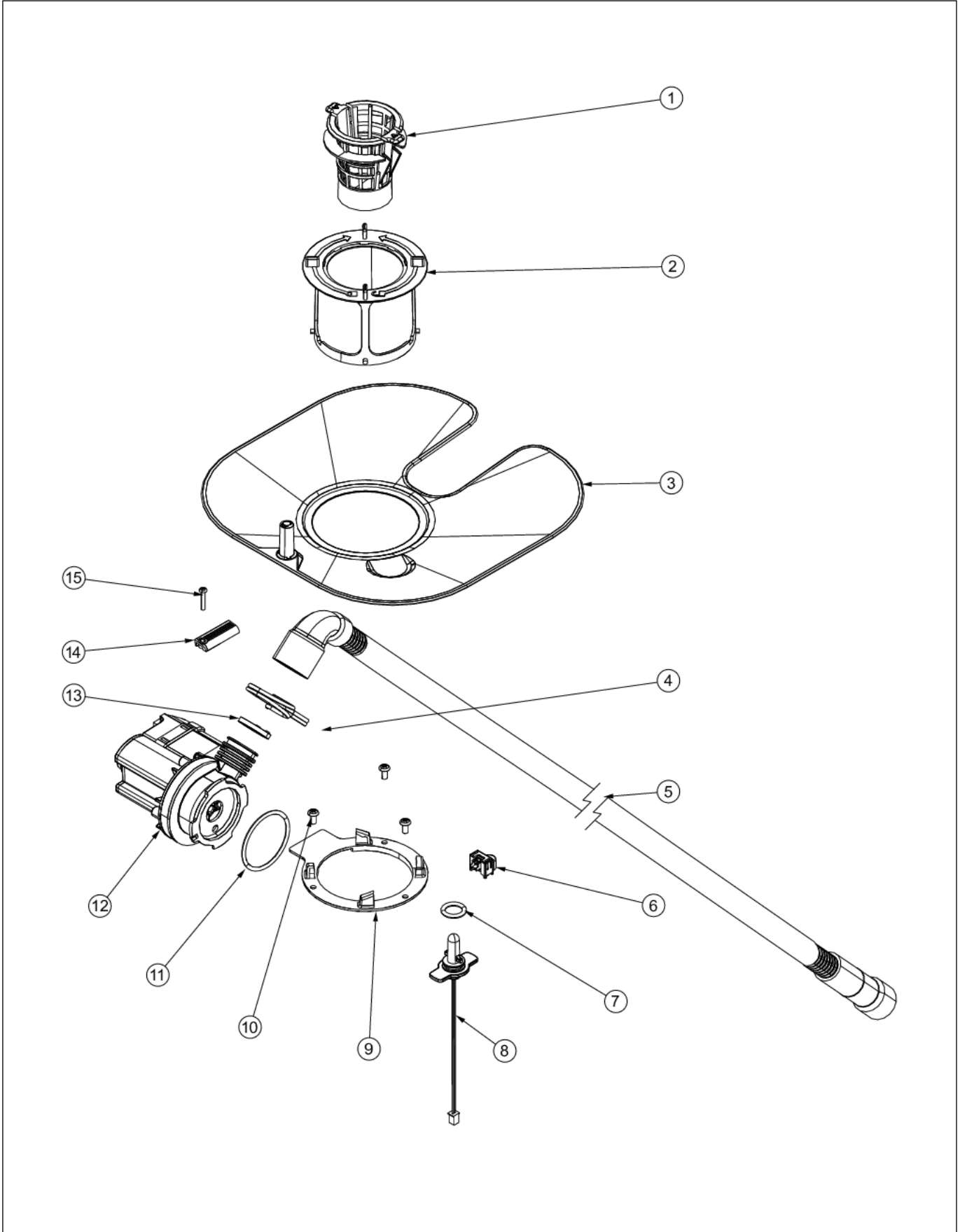
Item	Part No.	Name	Qty	Uom	NOTES
1	016332-000	CIRCUIT BOARD, NYLON, G60 SHIELD	4	EA	
2	K2088871	CLAMP, TUB REAR	2	EA	
3	023528-000	BASE, LEFT	1	EA	
4	PB070338	SHIELD, DIELECTRIC	1	EA	
5	023489-000	PAN, BASE, BOTTOM, NLA	1	EA	
6	000380-000	SUPPORT, MOTOR	1	EA	
7	000370-000	MOUNT, MOTOR	1	EA	NO LONGER AVAILABLE
8	029377-000	WATER VALVE ASSEMBLY S-101D	1	EA	
9	PD020250	SCREW; #10-32 X 3/8 TORX, PAN, ZINC, TYPE F	2	EA	
10	PC070036	BUSHING, M.S.A.	3	EA	
11	013610-000	HOSE, INLET VALVE TO AIR & WATER INLET	1	EA	
12	023731-000	HOSE, 13.5" INLET VALVE TO AIR & WATER INLET	1	EA	
13	023516-000	BASE, REAR	1	EA	
14	019005-000	RIGHT, SIDE BASE ASSY	1	EA	Not available online / Call for pricing and availability
15	PD020249	SCREW, #8-18 X 3/8, TYPE B, TORX, PAN HEAD, ZINC, BLUNT	4	EA	
16	PE070708	TERMINAL BLOCK	1	EA	
17	PD030179	1/4-20 HEX NYLON INSERT LOCK NUT	2	EA	
18	PD020215	SCREW, TYPE F, PAN, TORX, ZINC, 8-32 X 1.5", BLUNT	1	EA	
19	G5088830	LEG LEVELING SYSTEM ASSEMBLY	3	EA	
20	PD020215	SCREW, TYPE F, PAN, TORX, ZINC, 8-32 X 1.5", BLUNT	2	EA	
21	005033-000	POWER CORD-90 DEGREE	1	EA	
22	019232-000	LEVELING LEG, DISHWASHER	2	EA	
23	008797-000	LABEL, CAUTION, LEVELING LEG FEET	1	EA	
24	PM810495	HEX BAR	1	EA	
25	PK830366	HEX HEAD ADJUSTER, REAR	1	EA	





Item	Part No.	Name	Qty	Uom	NOTES
26	PD020215	SCREW, TYPE F, PAN, TORX, ZINC, 8-32 X 1.5", BLUNT	1	EA	
27	024110-000	BRACKET, OVERFLOW, MOUNTING	1	EA	
28	008560-000	CHANNEL, OVERFLOW	1	EA	
29	010851-000	BRACKET, ADJUSTABLE TOE KICK, RIGHT, ASSY	1	EA	
30	017249-000	KICKPLATE, BLACK, ASSY	1	EA	
31	020602-000	BRACE, FRONT ASSY	1	EA	
32	PF031283	LABEL, LEVELING ARROWS	1	EA	
33	019591-000	FRONT BASE BRACKET ASSY	1	EA	
34	010850-000	BRACKET, ADJUSTABLE TOE KICK, LEFT, ASSY	1	EA	
35	PF031188	WARNING DECAL	1	EA	
36	019282-001	BITUMEN, PNL, FR, (Not field replaceable)	1	EA	Not orderable
<p>Comments for Part Num. 019282-001</p> <p>gboltz@VikingRange.com on Jan 24, 2017</p> <p>Not field replaceable</p>					
37	031421-000	CONTROLLER, MACHINE, DISHWASHER-ELAN'	1	EA	
38	PD020265	1/4-20 x 1 1/4 TORX PAN HD MACHINE SCREW	2	EA	
39	PM810488	DOOR DAMPENER PULLEY	2	EA	

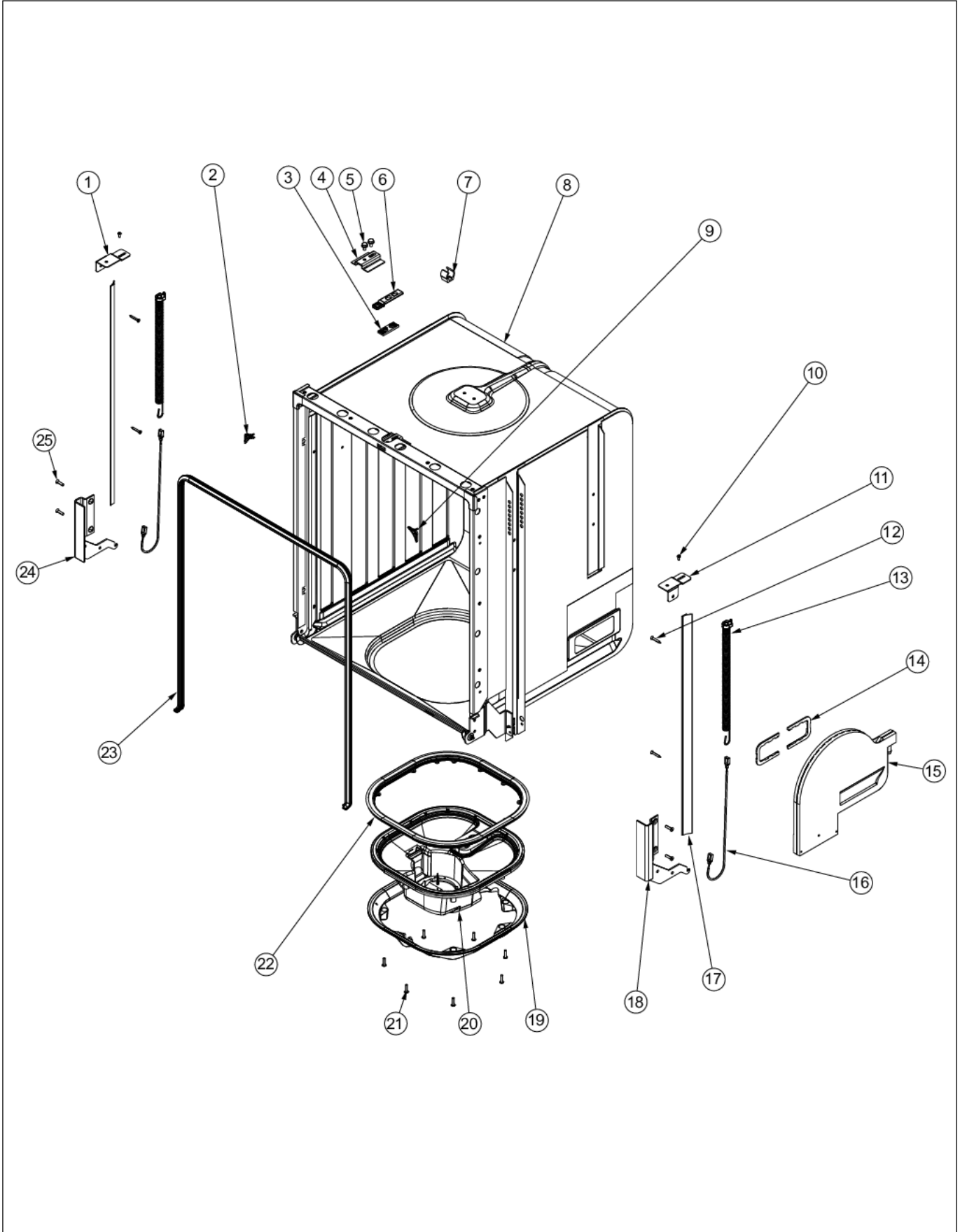
BOTTOM WELL



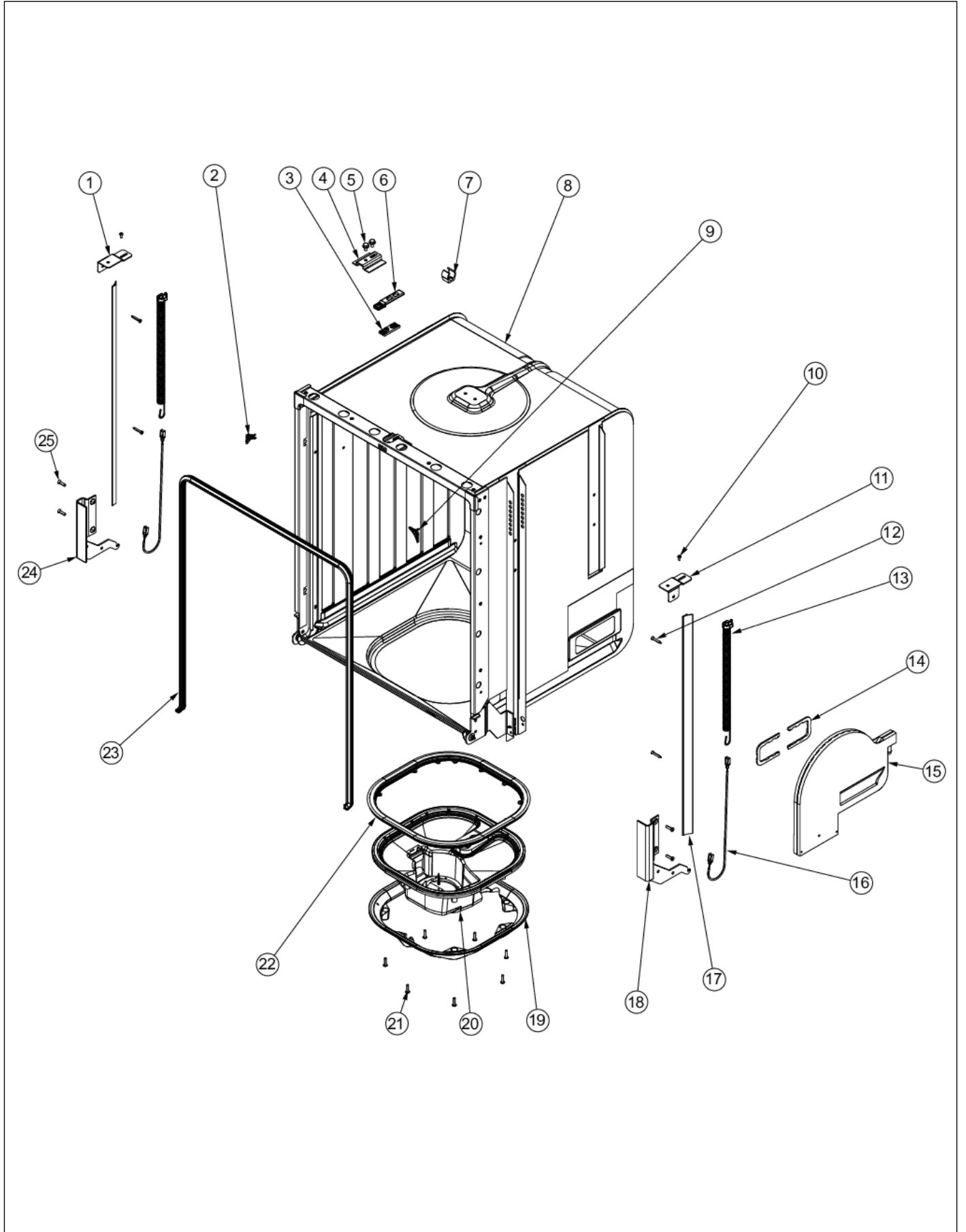


Item	Part No.	Name	Qty	Uom	NOTES
1	PB880032	TRAP, GLASS	1	EA	
2	G5088865	FINE FILTER ASSEMBLY	1	EA	
3	019381-000	FILTER, PRIMARY ASSY	1	EA	
4	002283-000	CLAMP,DOUBLE WIRE, HOSE	1	EA	
5	PB820205	HOSE, DRAIN	1	EA	
6	PE050229	FLOOD SENSOR	1	EA	
7	020784-000	TEMPERATURE SENSOR ASSY W/O-RING	1	EA	
8	020784-000	TEMPERATURE SENSOR ASSY W/O-RING	1	EA	
9	PD830110	FILTER LOCKING PLATE	1	EA	
10	009039-000	SCREW, #10 X 3/8 PHIL PAN HD PLASTITE 18-8 PASSIVATED	3	EA	Not available online / Call for pricing and availability
11	PB870195	O-RING, DRAIN PUMP	1	EA	
12	006521-000	PUMP, DRAIN ASM	1	EA	
13	PJ040007	FLAPPER, DRAIN PUMP	1	EA	
14	PK830239	DRAIN FILTER	1	EA	
15	PD020253	SCREW; #10 16x.75, 304SS, PLASTITE, PAN, TORX	1	EA	

CABINET



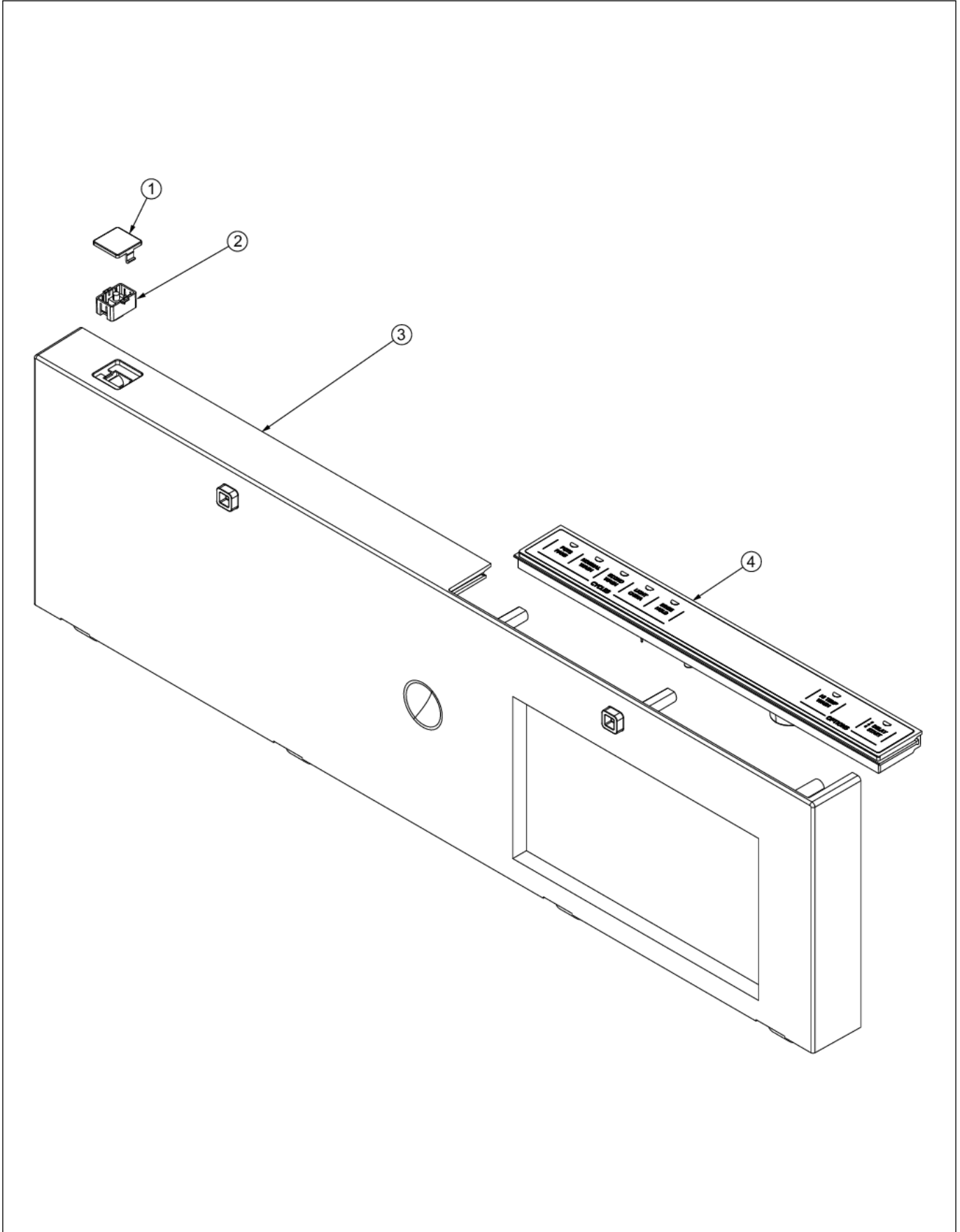
Item	Part No.	Name	Qty	Uom	NOTES
1	016599-000	BRACKET, MTG, TOP , LEFT	1	EA	
2	PK830411	FILLER, CORNER LEFT	1	EA	
4	000362-000	CLAMP, STRIKER	1	EA	
3	B20813638	MOUNT, STRIKER	1	EA	
6	000361-000	DOOR, STRIKER	1	EA	
7	002547-000	BRACKET, FLEX MTG	1	EA	
5	015850-000	1/4-20 X 3/8 HEX WSHR THD CUT ZINC TRI-LOBULAR	2	EA	Not available online / Call for pricing and availability
8	NON-SERVICEABLE	TUB WELDMENT	1	EA	
9	PK830412	FILLER, CORNER RIGHT	1	EA	
10	PD020249	SCREW, #8-18 X 3/8, TYPE B, TORX, PAN HEAD, ZINC, BLUNT	2	EA	
11	016606-000	BRACKET, MTG, TOP, CTR, R	1	EA	
12	001470-000	SCREW; #8, 18-8SS, FLAT HEAD, TORX, WOOD	7	EA	
13	002298-000	DAMPENER ASSEMBLY, DOOR	2	EA	
14	PK830276	LOCK, AIR & WATER INLET	2	EA	
15	019978-000	AIR & WATER INLET ASSY- 325 MODELS	1	EA	
16	PM810487	DOOR DAMPENER CABLE	2	EA	
17	013449-000	EDGING, MOUNTING TRIM, 325	1	EA	
18	C93813632	HINGE, DOOR RIGHT PLATED	1	EA	
19	006963-000	RING, SUMP RETAINER	1	EA	NOT FIELD REPLACEABLE, Not available online / Call for pricing and availability
20	G30813628	SUMP ASSEMBLY W/O PRESSURE SENSOR	1	EA	Not available online / Call for pricing and availability
Comments for Part Num. G30813628 bradleysapplianceservice@shaw.ca on Nov 20, 2015 NOT FIELD REPLACEABLE					
21	PD020253	SCREW; #10 16x.75, 304SS, PLASTITE, PAN, TORX	7	EA	





Item	Part No.	Name	Qty	Uom	NOTES
22	001070-000	GASKET, SUMP	1	EA	NOT FIELD REPLACEABLE, Not available online / Call for pricing and availability
23	PB870227	SEAL, DOOR PERIMETER (NOT FIELD REPLACEABLE)	1	EA	
24	C93813631	HINGE, DOOR LEFT PLATED	1	EA	
25	PD020263	SCREW; 10-32 x 5/8 TORX, FLAT HD, MACHINE, 18-8SS	4	EA	

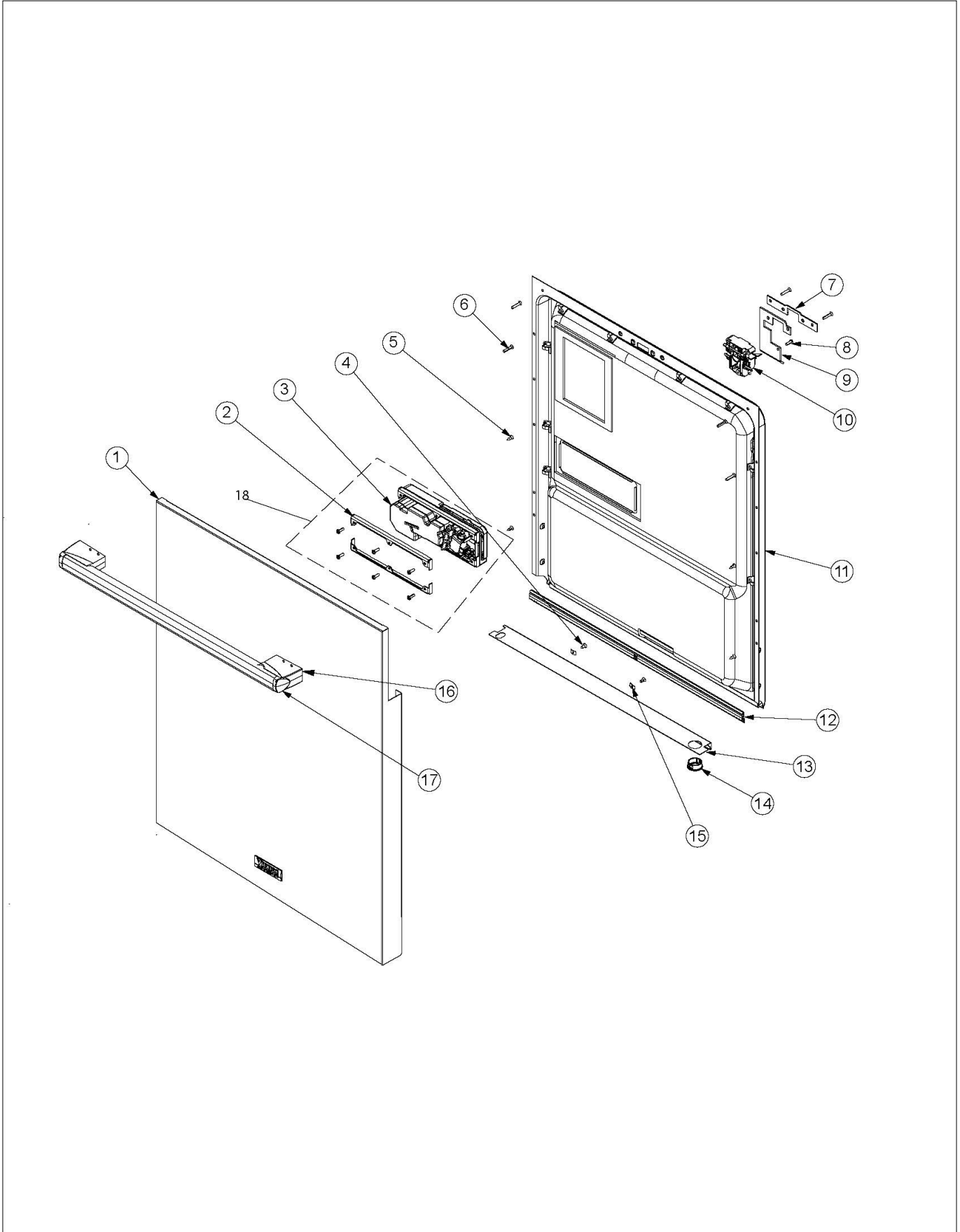
CONTROL PANEL





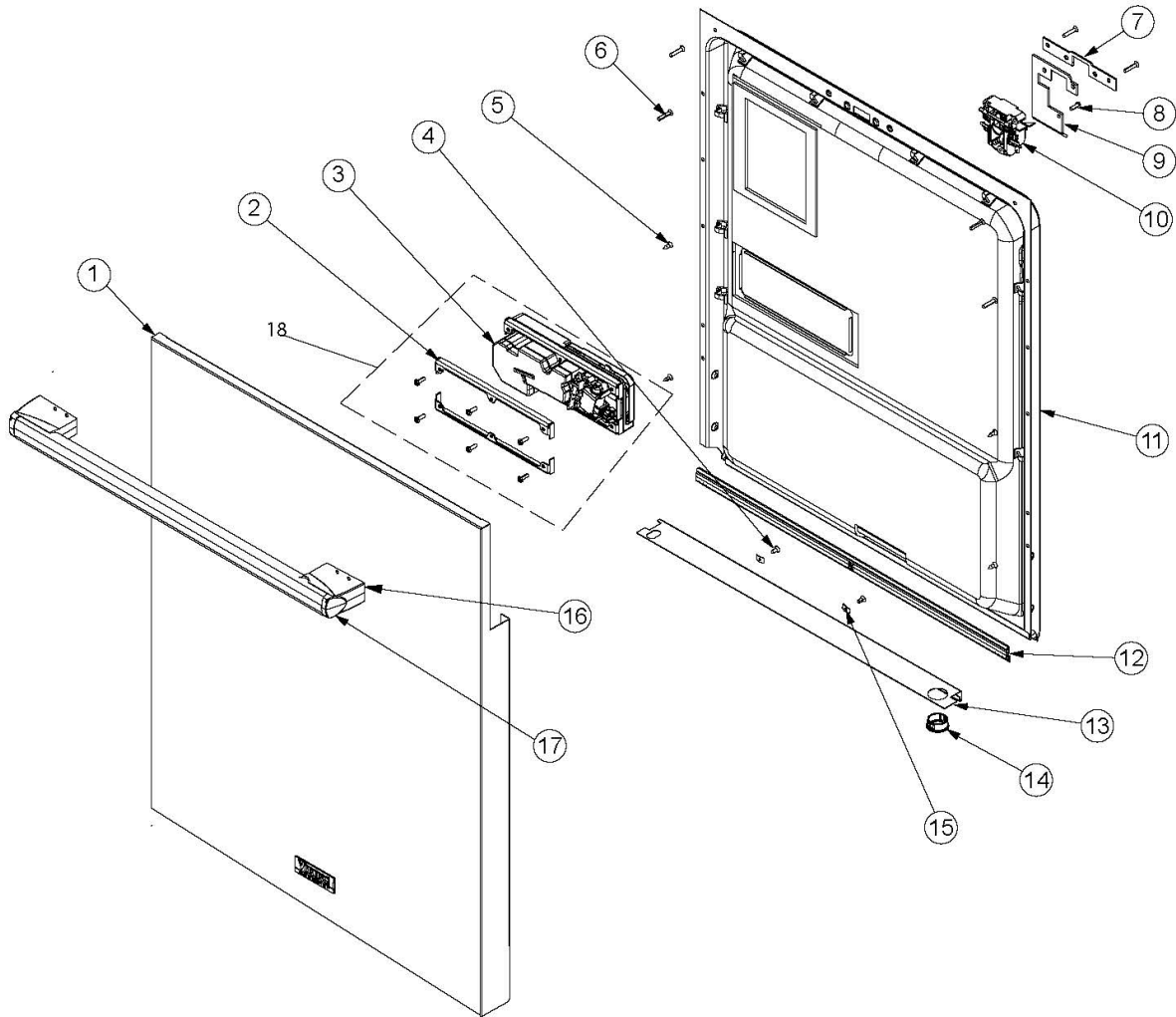
Item	Part No.	Name	Qty	Uom	NOTES
1	002702-000	BUTTON, START	1	EA	
2	PE050225	MAIN POWER SWITCH	1	EA	
3	028685-000	200 Series Start Switch and Cover kit	1	EA	
4	016258-000	INTERFACE, USER, 200 ASSY	1	EA	

DOOR





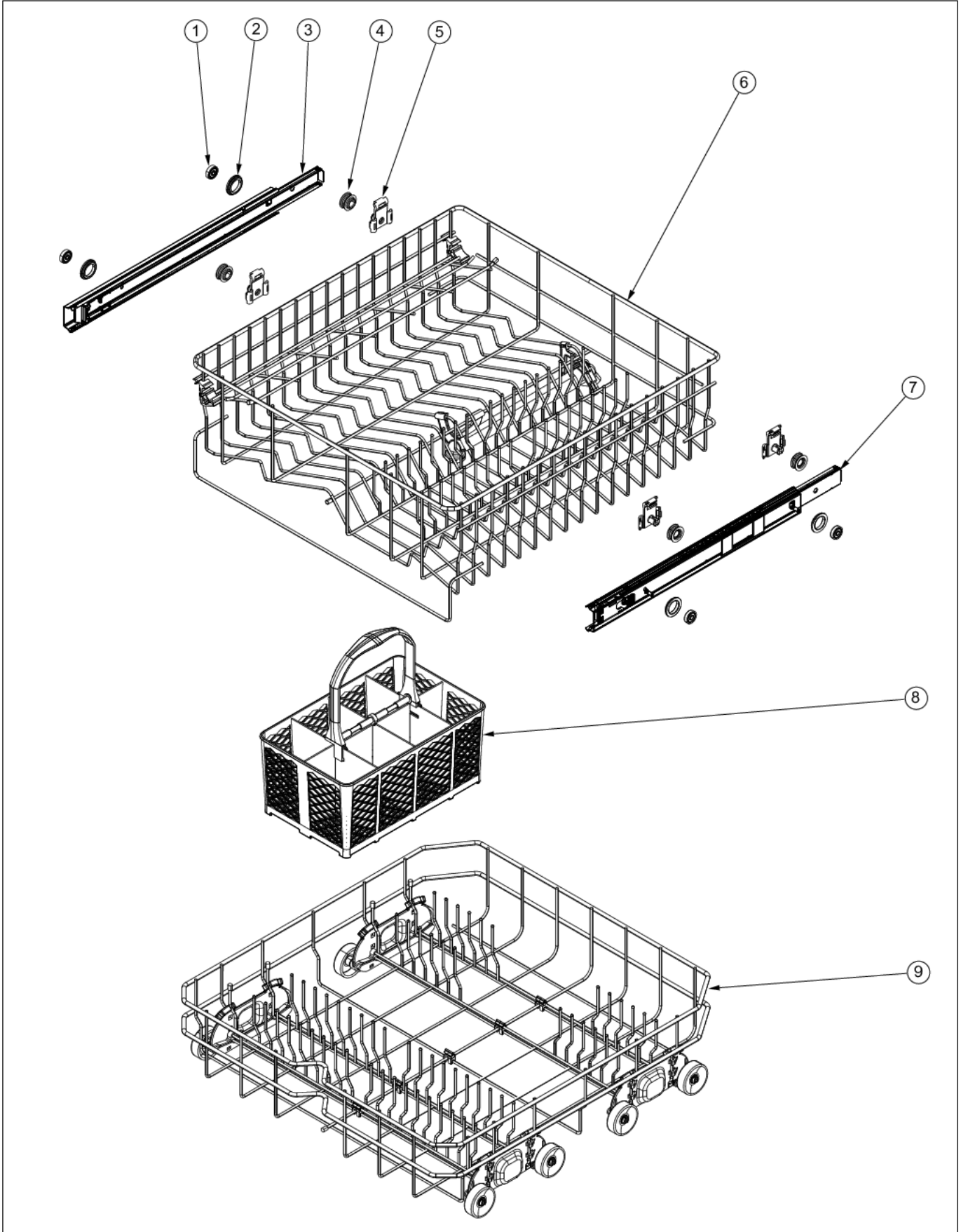
Item	Part No.	Name	Qty	Uom	NOTES
1	019564-000	DOOR, SKIN, INTEGRATED, DSNR SS	1	EA	
1	019565-002	DOOR, SKIN, INTEGRATED, DSNR BK	1	EA	
1	019565-006	DOOR, SKIN, INTEGRATED, DSNR WH	1	EA	Not available online / Call for pricing and availability
2	PK050002	BRACKET, SOAP/RINSE-AID DISPENSER	1	EA	
Not Shown	NOTE	(MUST ORDER ITEM 18)		EA	
3	PM810482	DETERGENT/RINSE AID DISPENSER	1	EA	
Comments for Part Num. PM810482					
profixappliances@gmail.com on Dec 13, 2017					
REPLACED BY 010194-000 DETERGENT/RINSE AID DISPENSER					
Not Shown	NOTE	(MUST ORDER ITEM 18)		EA	
4	002550-000	TINNERMAN NUT	2	EA	
5	PD020264	SCREW, 8-18 x 3/8, TORX, FLAT HEAD, 304 SS, TYPE AB	4	EA	
6	PD020211	SCREW, PLASTITE, FLAT HEAD, TORX, 304SS, 8-16 X 0.75"	6	EA	
7	019464-000	SPACER, DOOR LATCH	1	EA	
8	008987-000	SCREW, #8 x 1/2" PAN TORX ZINC HIGH-LOW	7	EA	
9	000870-000	LATCH, BRACKET	1	EA	
10	013380-000	DOOR LATCH	1	EA	
11	025031-000	DOOR, INNER W BITUMEN 325	1	EA	
12	014072-000	SEAL, DOOR, LOWER	1	EA	
13	013743-000	BRACKET, DOOR, INNER, 325	1	EA	
14	PC070036	BUSHING, M.S.A.	1	EA	
15	003655-000	#8-32 X 1/4 FLAT 18-8 PASSIVATED MACHINE TORX	2	EA	
16	009083-000	DESIGNER HANDLE ENDCAP - NLA	2	EA	
17	013210-000	HANDLE, DISHWASHER, ALUM, ANODIZED	1	EA	





Item	Part No.	Name	Qty	Uom	NOTES
18	010194-000	DETERGENT/RINSE AID DISPENSER KIT	1	EA	

RACKS





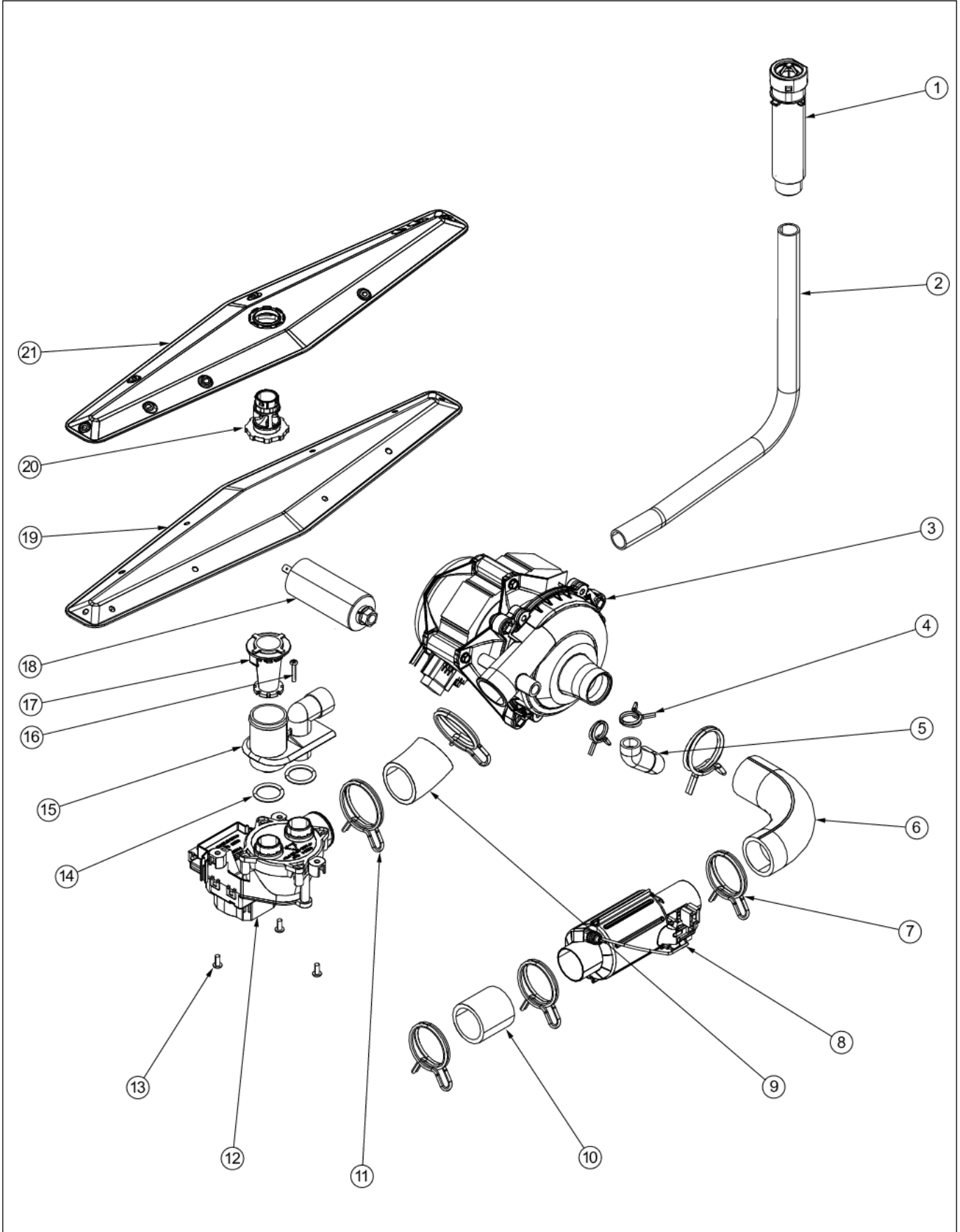
Item	Part No.	Name	Qty	Uom	NOTES
1	PD030156	NUT, W/TOOTHWASHER, ZINC, 10-32	4	EA	
2	PK030536	SLEEVE, SPACER	4	EA	
3	016995-000	SLIDE, RACK, L, ASSY - NLA	1	EA	
4	PK030448	RACK SLIDE SPACER	4	EA	
5	PD830123	DISH RACK CLIP	4	EA	
6	016156-000	ULTRA PREMIUM UPPER RACK ASSY 200	1	EA	
7	016996-000	SLIDE, RACK, R, ASSY - NLA	1	EA	
8	G5088897	SILVERWARE BASKET ASSEMBLY	1	EA	
9	035340-000	ULTRA PREMIUM LOWER RACK ASSY - 301 - NLA	1	EA	

Comments for Part Num. 035340-000

bradleysapplianceservice@shaw.ca on Sep 14, 2017

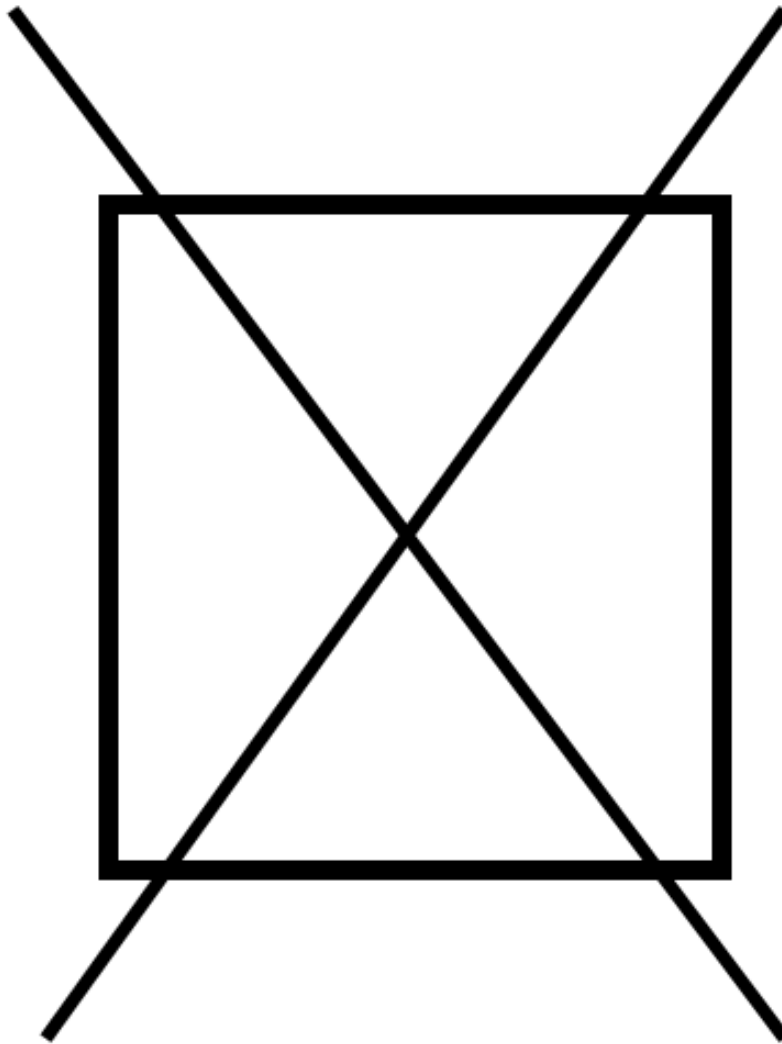
SUBS TO: 035340-000 LOWER RACK ASSEMBLY 325

WASH SYSTEM



Item	Part No.	Name	Qty	Uom	NOTES
1	004062-000	REAR PORT ASSEMBLY	1	EA	
2	F2088867	CONDUIT, LOWER	1	EA	
3	016721-000	EMERSON SINGLE SPEED MOTOR & PUMP ASSY	1	EA	
4	PD030165	CLAMP, WIRE, HOSE	2	EA	
5	PB020264	HOSE, PUMP TO PERIMETER SPRAYER	1	EA	
6	PB020262	HOSE, HEATER TO PUMP	1	EA	
7	PD030163	CLAMP, WIRE HOSE	4	EA	
8	038415-000	HEATER, FLOW-THROUGH, ZOPPAS 1200V	1	EA	
9	PB020263	HOSE, PUMP TO DIVERTER VALVE	1	EA	
10	PB020261	HOSE, SUMP TO HEATER	1	EA	
11	002283-000	CLAMP, DOUBLE WIRE, HOSE	2	EA	
12	040626-000	DIVERTER VALVE KIT	1	EA	
13	PD020262	SCREW, 8-14x3/8 TORX, PAN HEAD, PLASTITE, 304 SS	3	EA	
14	PB870194	O-RING, DIVERTER VALVE	2	EA	
15	019628-000	VENTURI PLATE	1	EA	Not available online / Call for pricing and availability
16	PD020245	SCREW, #6-19 X 3/4 TORX, PAN HEAD, PLASTITE, 304SS	1	EA	
17	PK830260	LOWER SPRAY ARM VENTURI SPINDLE	1	EA	
Not Shown	NOTE	(NO LONGER USED ON THIS MODEL)		EA	
18	020738-000	CAPACITOR, MICROFORAD-17UF/250VAC	1	EA	
19	G2188882	LOWER SPRAY ARM, ASSEMBLY	1	EA	
20	PK830375	MIDDLE SPRAY ARM LOCK NUT, 1/4 TURN	1	EA	
21	G2188879	MIDDLE SPRAY ARM, ASSEMBLY	1	EA	

NON
ILLUSTRATED PART





Item	Part No.	Name	Qty	Uom	NOTES
NI	013374-000	HARNESS, HIGH VOLTAGE BASE	1	EA	
NI	040967-000	HARNESS, LOW VOLTAGE BASE	1	EA	
NI	001796-000	RETAINER, HARNESS	6	EA	
NI	PK030170	RETAINER, HARNESS	6	EA	
NI	016632-000	HARNESS, LOW VOLTAGE, DOOR	1	EA	
NI	002071-000	WIRE GROUND LEAD ASSEMBLY	1	EA	NO LONGER AVAILABLE, Not available online / Call for pricing and availability



Appendix A:Pages Index

BASE 1
BOTTOM WELL 2
CABINET 3
CONTROL PANEL 4
DOOR 5
RACKS 6
WASH SYSTEM 7
WIRING 8



Appendix B:Parts Index

000361-000	3	016632-000	8
000362-000	3	016721-000	7
000370-000	1	016995-000	6
000380-000	1	016996-000	6
000870-000	5	017249-000	1
001070-000	3	019005-000	1
001470-000	3	019232-000	1
001796-000	8	019282-001	1
002071-000	8	019381-000	2
002283-000	2, 7	019464-000	5
002298-000	3	019564-000	5
002547-000	3	019565-002	5
002550-000	5	019565-006	5
002702-000	4	019591-000	1
003655-000	5	019628-000	7
004062-000	7	019978-000	3
005033-000	1	020602-000	1
006521-000	2	020738-000	7
006963-000	3	020784-000	2, 2
008560-000	1	023489-000	1
008797-000	1	023516-000	1
008987-000	5	023528-000	1
009039-000	2	023731-000	1
009083-000	5	024110-000	1
010194-000	5	025031-000	5
010850-000	1	028685-000	4
010851-000	1	029377-000	1
013210-000	5	031421-000	1
013374-000	8	035340-000	6
013380-000	5	038415-000	7
013449-000	3	040626-000	7
013610-000	1	040967-000	8
013743-000	5	B20813638	3
014072-000	5	C93813631	3
015850-000	3	C93813632	3
016156-000	6	F2088867	7
016258-000	4	G2188879	7
016332-000	1	G2188882	7
016599-000	3	G30813628	3
016606-000	3	G5088830	1
		G5088865	2



G5088897	6	PK830276	3
K2088871	1	PK830366	1
PB020261	7	PK830375	7
PB020262	7	PK830411	3
PB020263	7	PK830412	3
PB020264	7	PM810482	5
PB070338	1	PM810487	3
PB820205	2	PM810488	1
PB870194	7	PM810495	1
PB870195	2		
PB870227	3		
PB880032	2		
PC070036	1, 5		
PD020211	5		
PD020215	1, 1, 1		
PD020245	7		
PD020249	1, 3		
PD020250	1		
PD020253	2, 3		
PD020262	7		
PD020263	3		
PD020264	5		
PD020265	1		
PD030156	6		
PD030163	7		
PD030165	7		
PD030179	1		
PD830110	2		
PD830123	6		
PE050225	4		
PE050229	2		
PE070708	1		
PF031188	1		
PF031283	1		
PJ040007	2		
PK030170	8		
PK030448	6		
PK030536	6		
PK050002	5		
PK830239	2		
PK830260	7		