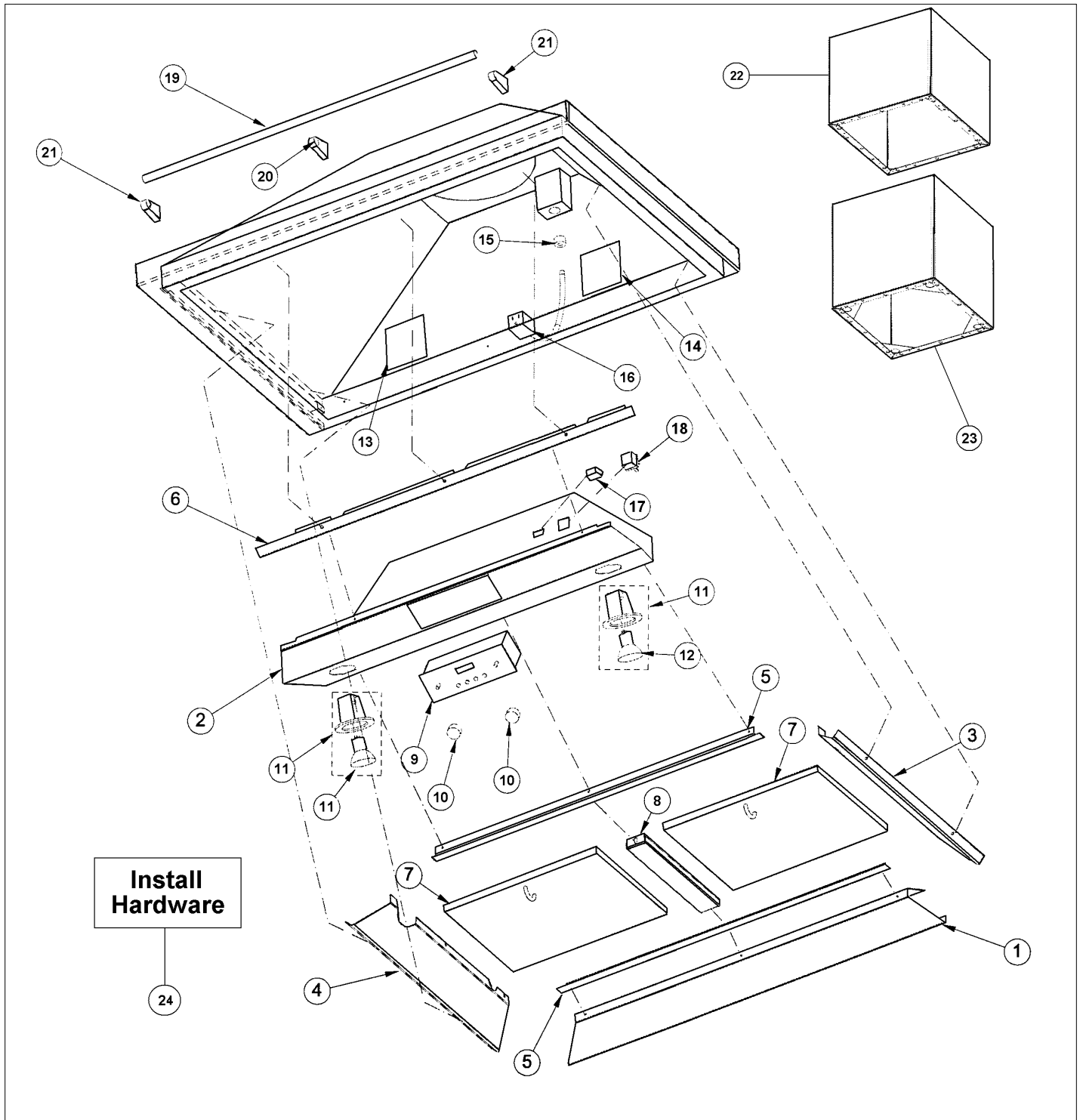


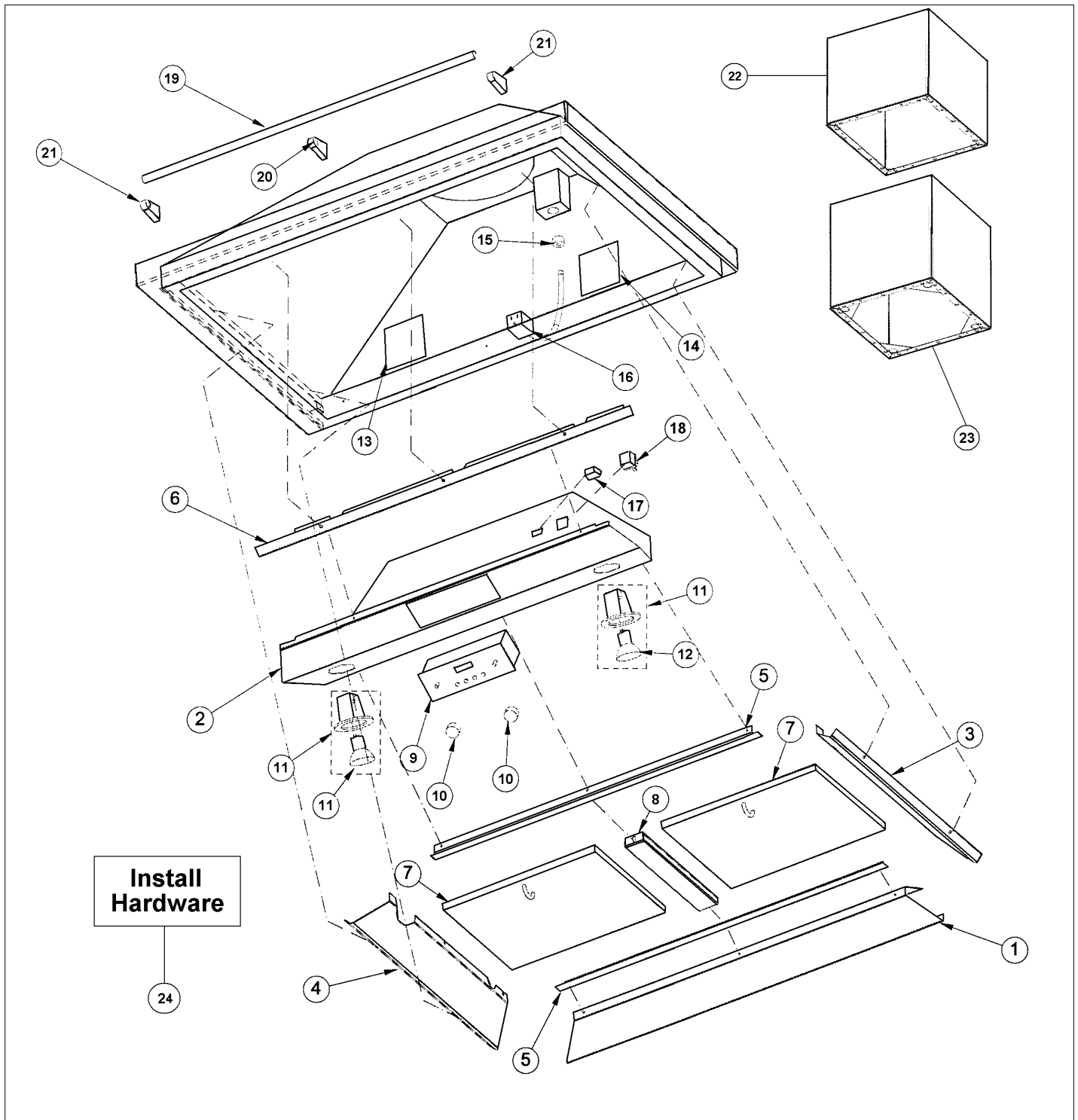
DCWN4844

HOOD ASSY	1
RATING LABEL LOCATION	2
Appendix A:Pages Index	A
Appendix B:Parts Index	B

HOOD ASSY

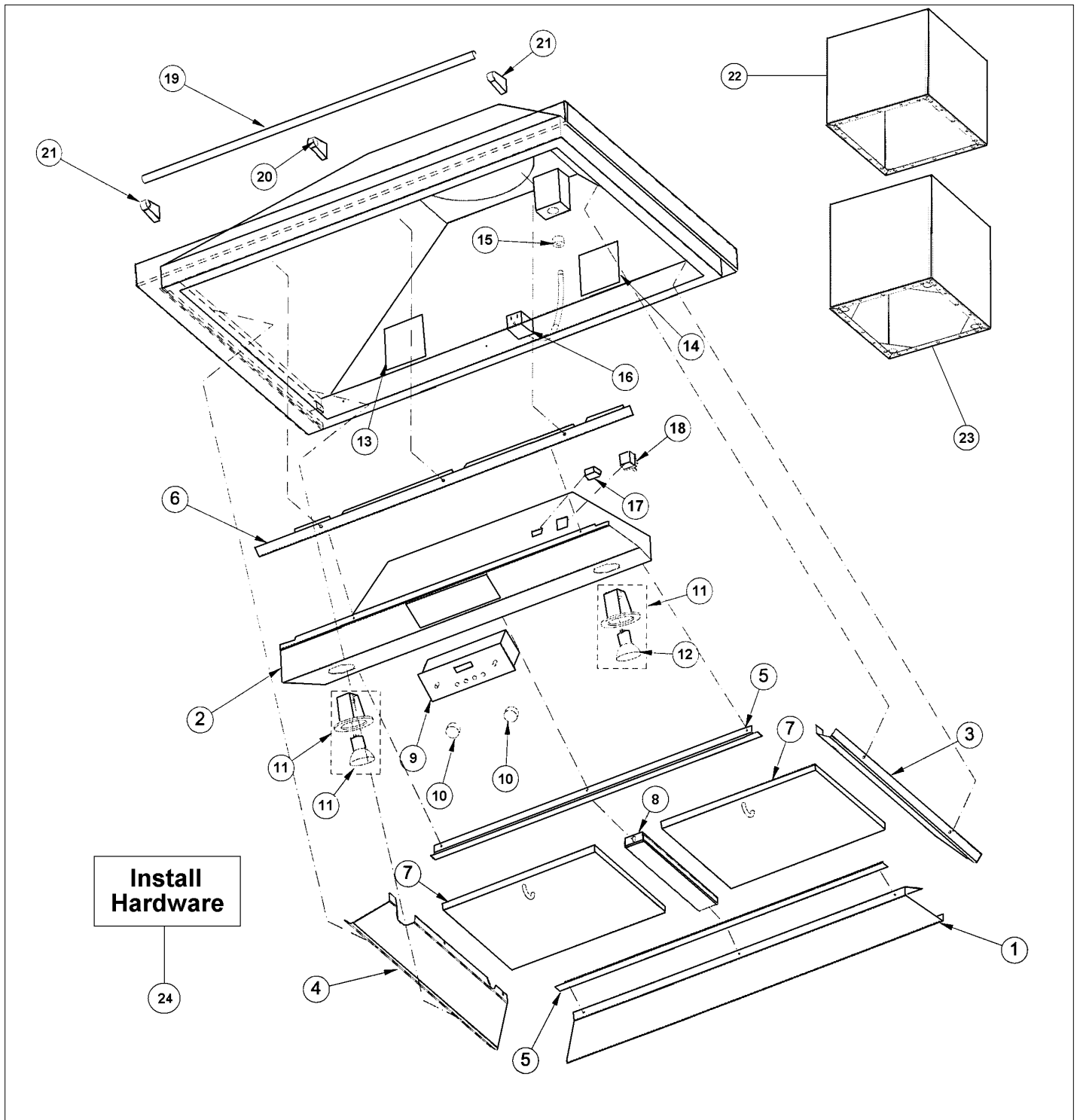


Item	Part No.	Name	Qty	Uom	NOTES
1	B2004681	48" REAR I/S PANEL	1	EA	
2	B2004682	48" CONTROL PANEL	1	EA	NO LONGER AVAILABLE
3	B2004667	I/S SIDE PANEL RH (DTWS/L/N DSWB)	1	EA	NO LONGER AVAILABLE
Not Shown	NOTE	(Before 7/25/03)		EA	
Not Shown	B2007323	I/S SIDE PANEL - RH	1	EA	NO LONGER AVAILABLE
Not Shown	NOTE	(After 7/25/03)		EA	
4	B2005027	I/S SIDE PANEL LH (DTWS/L/N DSWB)	1	EA	Not available online / Call for pricing and availability
Not Shown	NOTE	(Before 7/25/03)		EA	
Not Shown	B2007324	I/S SIDE PANEL - LH	1	EA	NO LONGER AVAILABLE
Not Shown	NOTE	(After 7/25/03)		EA	
5	B2004683	FILTER SUPPORT FRONT/REAR	1	EA	
6	B2004685	48" FRONT I/S PANEL	1	EA	
7	G31010266	30"/42" FILTER ASSEMBLY 11.75" X 10.375"	1	EA	
8	B2008196	FILTER SPACER (DCWN4844)	1	EA	NO LONGER AVAILABLE
9	025084-000	SERVICE CONTROL PANEL/WIRE HARNESS ASSY	1	EA	
10	PA010089	KNOB (DESIGNER SERIES HOOD)	1	EA	
11	PE050064	LIGHT ASSEMBLY	1	EA	
12	PE050081	50 WATT HALOGEN BULB	1	EA	
13	PE020058	RATING LABEL (ADHESIVE)	1	EA	
14	PF030337	HOOD WARNING LABEL	1	EA	
15	PE070204	HEYCO STRAIN RELIEF - 7-P2	1	EA	
16	039680-000	CORD, PWR, SUPPLY, VNT HD	1	EA	
17	PE070196	FEMALE SOCKET (2 PRONG)	1	EA	
18	PE070197	MALE SOCKET (3 PRONG)	1	EA	
19	PE030066	48" ACCESORY RAIL SS	1	EA	





Item	Part No.	Name	Qty	Uom	NOTES
Not Shown	PE030067	48" ACCESSORY RAIL BR	1	EA	NO LONGER AVAILABLE
20	PE030053	MIDDLE RAIL SUPPORT - BR	1	EA	
Not Shown	PE030053	MIDDLE RAIL SUPPORT - BR	1	EA	
21	PE030055	END CAP - BR	1	EA	
Not Shown	PE030054	END CAP - SS	1	EA	
NI	PE030077	BR 'S' HOOKS REPL PV100012BR	1	EA	
Not Shown	PE030076	CHROME "S" HOOKS REPL PV100012SS	1	EA	
22	G3105021SS	DUCT CVR TOP ASSY 18X12(DCWH/L4844)	1	EA	
Not Shown	G9005021BK	DUCT CVR TOP ASSY (DCWH/L 4844)*BK*	1	EA	NO LONGER AVAILABLE, Not available online / Call for pricing and availability
Not Shown	G9005021BT	DUCT CVR TOP (DCWH/L 4844)*BT*	1	EA	NO LONGER AVAILABLE, Not available online / Call for pricing and availability
Not Shown	G9005021GG	DUCT CVR TOP (DCWH/L 4844)*GG*	1	EA	NO LONGER AVAILABLE, Not available online / Call for pricing and availability
Not Shown	G9005021SG	DUCT CVR TOP (DCWH/L 4844)*SG*	1	EA	NO LONGER AVAILABLE, Not available online / Call for pricing and availability
Not Shown	G9005021WH	DUCT CVR TOP (DCWH/L 4844)*WH*	1	EA	NO LONGER AVAILABLE, Not available online / Call for pricing and availability
23	G3106246SS	DUCT CVR BTM ASSY18X12(DCWH/L4844)	1	EA	
Not Shown	G9006246BK	DUCT COVER BOTTOM - BK	1	EA	Not available online / Call for pricing and availability
Not Shown	G9006246BT	DUCT COVER BOTTOM - BT	1	EA	Not available online / Call for pricing and availability





Item	Part No.	Name	Qty	Uom	NOTES
Not Shown	G9006246GG	DUCT CVR BTM (DCWH/L 4844)*GG*	1	EA	NO LONGER AVAILABLE, Not available online / Call for pricing and availability
Not Shown	G9006246SG	DUCT COVER BOTTOM - SG	1	EA	
Not Shown	G9006246WH	DUCT COVER BOTTOM - WH	1	EA	Not available online / Call for pricing and availability
24	PD020009	10 X 1 PH. HD. PAN HD. SMS	1	EA	
Not Shown	NOTE	Install Hardware - Qty. 6		EA	
Not Shown	PD020002	10 X 1/2 PH.TR.HD.SMS.	1	EA	
Not Shown	NOTE	Install Hardware - Qty. 6		EA	
Not Shown	PD010002	10-24 X 3/8 HEX W/HD M.S.	1	EA	
Not Shown	NOTE	Install Hardware - Qty. 4		EA	
Not Shown	PD030020	SPRING CLIP - #8056201 FKVUD	1	EA	
Not Shown	NOTE	Install Hardware - Qty. 4		EA	
Not Shown	PD020010	10 X 3/8 GREEN GROUNDING SCREW	1	EA	
Not Shown	NOTE	Install Hardware - Qty. 1		EA	
NI	PE070385	DWH48 WIRE HARNESS	1	EA	NO LONGER AVAILABLE, Not available online / Call for pricing and availability
NI	019212-000	48" FILTER SUPPORT KIT	1	EA	

RATING LABEL LOCATION





Appendix A:Pages Index

HOOD ASSY 1
RATING LABEL LOCATION2



Appendix B:Parts Index

019212-000	1	PE050081	1
025084-000	1	PE070196	1
039680-000	1	PE070197	1
B2004667	1	PE070204	1
B2004681	1	PE070385	1
B2004682	1	PF030337	1
B2004683	1		
B2004685	1		
B2005027	1		
B2007323	1		
B2007324	1		
B2008196	1		
G31010266	1		
G3105021SS	1		
G3106246SS	1		
G9005021BK	1		
G9005021BT	1		
G9005021GG	1		
G9005021SG	1		
G9005021WH	1		
G9006246BK	1		
G9006246BT	1		
G9006246GG	1		
G9006246SG	1		
G9006246WH	1		
PA010089	1		
PD010002	1		
PD020002	1		
PD020009	1		
PD020010	1		
PD030020	1		
PE020058	1		
PE030053	1, 1		
PE030054	1		
PE030055	1		
PE030066	1		
PE030067	1		
PE030076	1		
PE030077	1		
PE050064	1		