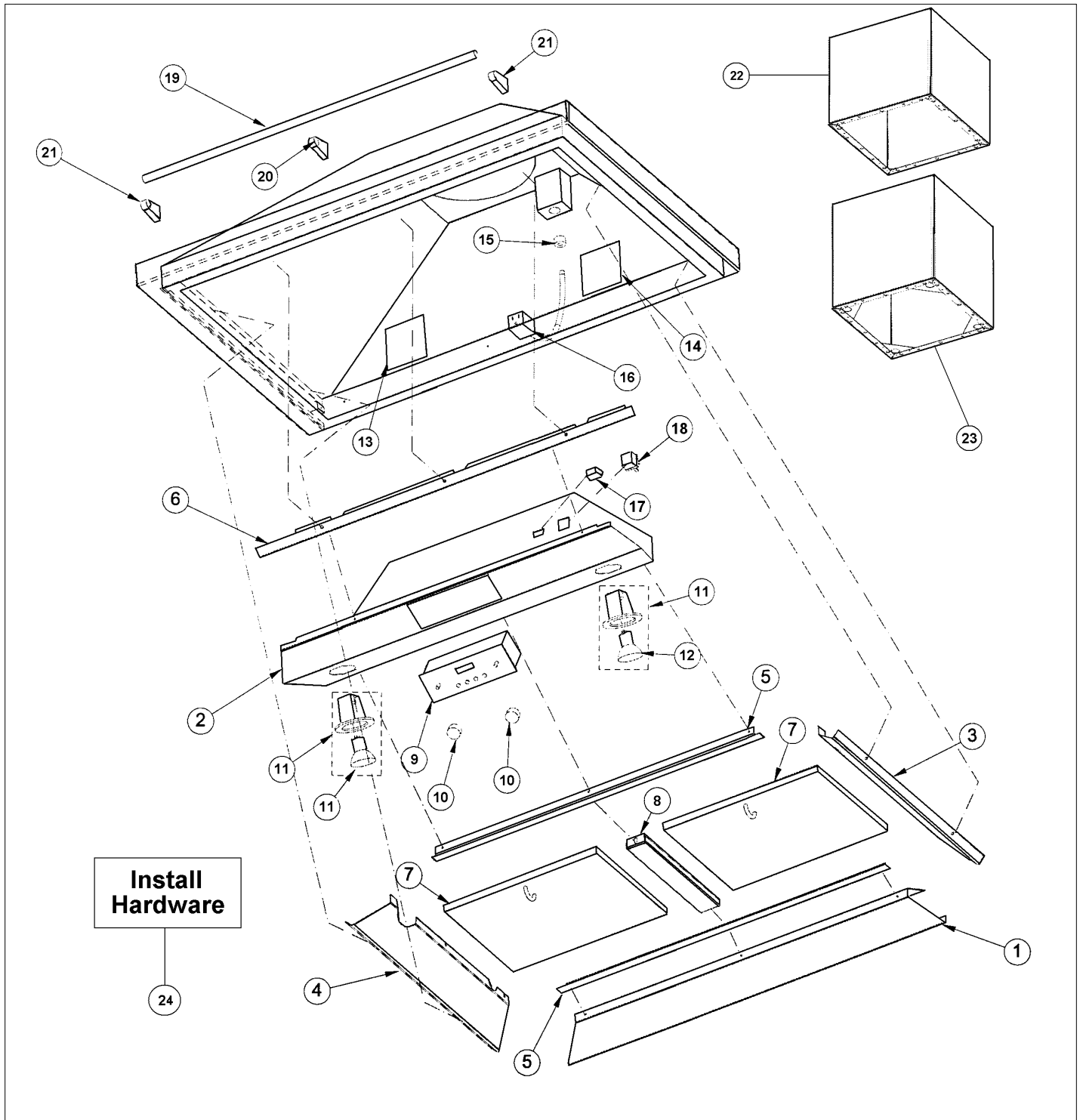
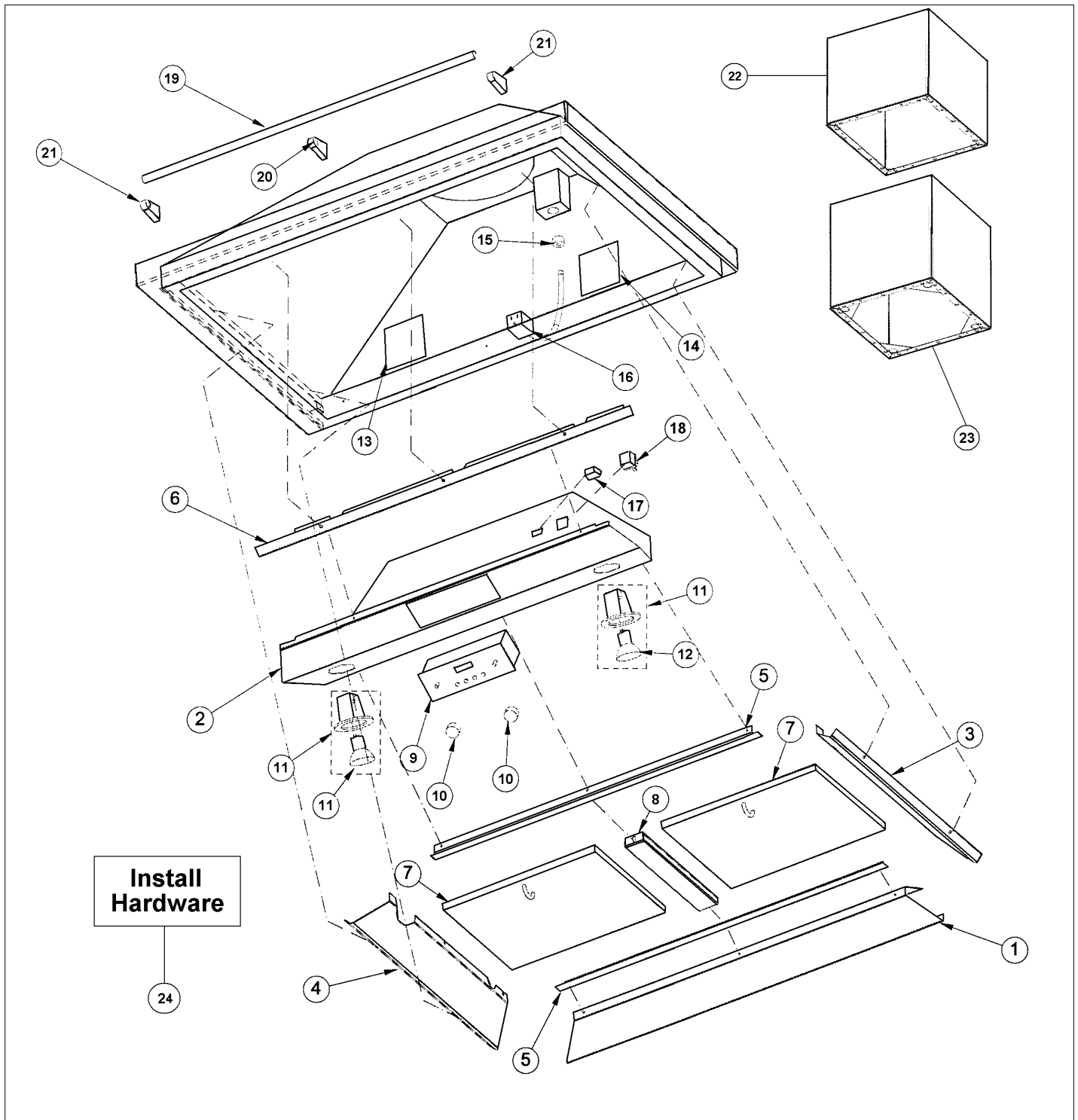


DCWL4544

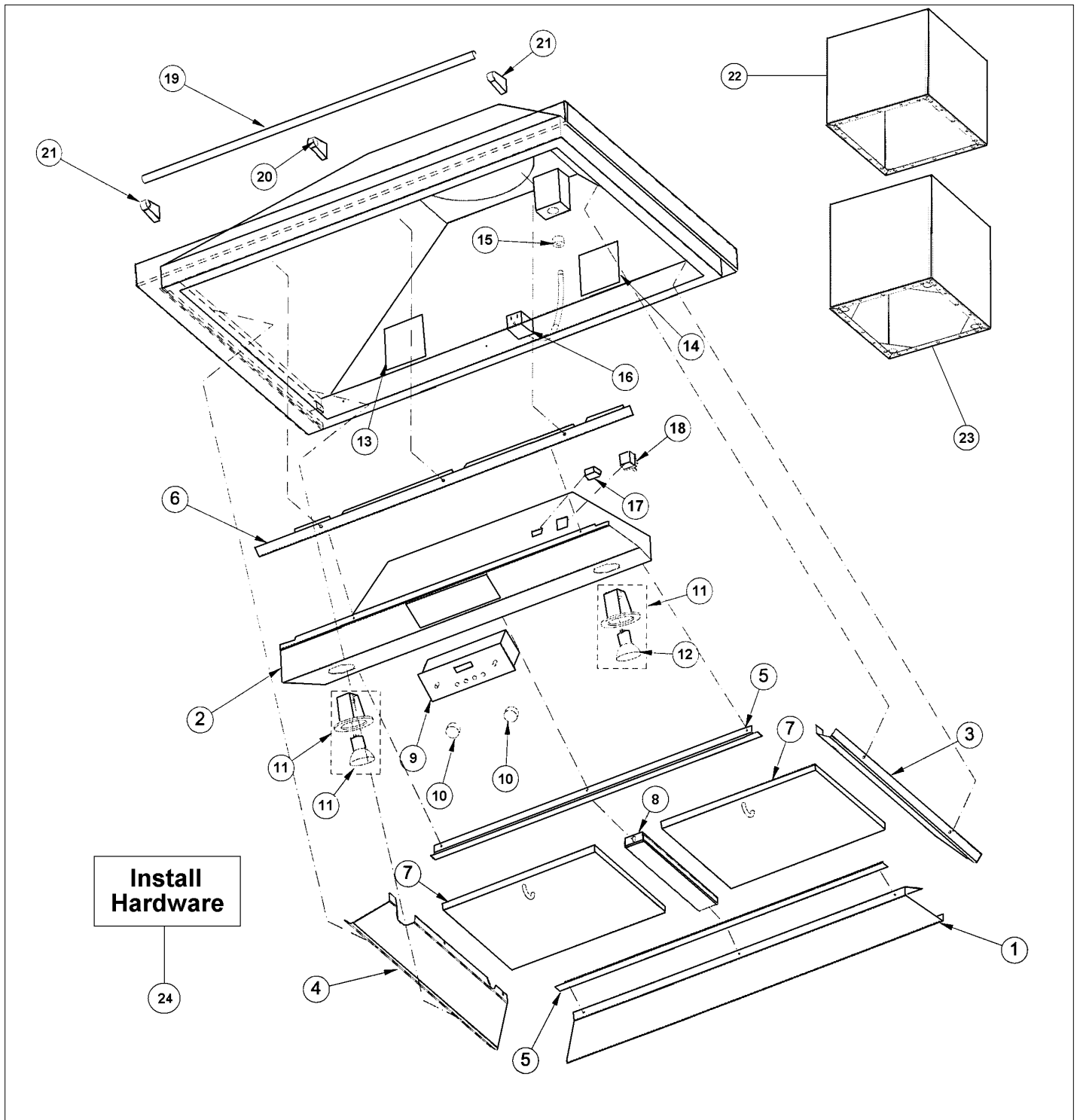
DCWL4544	1
RATING LABEL LOCATION	2
Appendix A:Pages Index	A
Appendix B:Parts Index	B



Item	Part No.	Name	Qty	Uom	NOTES
1	B2005037	42" I/S REAR PANEL	1	EA	NO LONGER AVAILABLE, Not available online / Call for pricing and availability
2	B2005038	42" CONTROL PANEL	1	EA	
3	B2004667	I/S SIDE PANEL RH (DTWS/L/N DSWB)	1	EA	NO LONGER AVAILABLE
Not Shown	NOTE	(Before 7/25/03)		EA	
Not Shown	B2007323	I/S SIDE PANEL - RH	1	EA	NO LONGER AVAILABLE
Not Shown	NOTE	(After 7/25/03)		EA	
4	B2005027	I/S SIDE PANEL LH (DTWS/L/N DSWB)	1	EA	Not available online / Call for pricing and availability
Not Shown	NOTE	(Before 7/25/03)		EA	
Not Shown	B2007324	I/S SIDE PANEL - LH	1	EA	NO LONGER AVAILABLE
Not Shown	NOTE	(After 7/25/03)		EA	
5	B2005039	FILTER SUPT. FRONT/REAR	1	EA	
6	B2005040	42" FRONT I/S PANEL	1	EA	NO LONGER AVAILABLE
7	G31010268	FILTER ASSEMBLY (DESIGNER) 13.848 X 10.375	1	EA	
8	023911-000	42" DCWN/DCWH/DCWL FILTER SPACER	1	EA	
9	025084-000	SERVICE CONTROL PANEL/WIRE HARNESS ASSY	1	EA	
10	PA010089	KNOB (DESIGNER SERIES HOOD)	1	EA	
11	PE050064	LIGHT ASSEMBLY	1	EA	
12	PE050081	50 WATT HALOGEN BULB	1	EA	
13	PE020058	RATING LABEL (ADHESIVE)	1	EA	
14	PF030337	HOOD WARNING LABEL	1	EA	
15	PE070204	HEYCO STRAIN RELIEF - 7-P2	1	EA	
16	039680-000	CORD, PWR, SUPPLY, VNT HD	1	EA	
17	PE070196	FEMALE SOCKET (2 PRONG)	1	EA	



Item	Part No.	Name	Qty	Uom	NOTES
18	PE070197	MALE SOCKET (3 PRONG)	1	EA	
19	PE030121	ACCESSORY RAIL - SS	1	EA	
Not Shown	F1003870	42" ACCESSORY RAIL - BR	1	EA	Not available online / Call for pricing and availability
20	PE030053	MIDDLE RAIL SUPPORT - BR	1	EA	
Not Shown	PE030053	MIDDLE RAIL SUPPORT - BR	1	EA	
21	PE030055	END CAP - BR	1	EA	
Not Shown	PE030054	END CAP - SS	1	EA	
NI	PE030077	BR 'S' HOOKS REPL PV100012BR	1	EA	
Not Shown	PE030076	CHROME "S" HOOKS REPL PV100012SS	1	EA	
22	G3105020SS	DUCT CVR TOP ASSY 12X12 DCWH/L36/42	1	EA	
Not Shown	G9005020BK	DUCT CVR TOP (DCWH/L 3644)*BK*	1	EA	Not available online / Call for pricing and availability
Not Shown	G9005020BT	DUCT CVR TOP (DCWH/L 3644)*BT*	1	EA	NO LONGER AVAILABLE, Not available online / Call for pricing and availability
Not Shown	G9005020GG	DUCT CVR TOP (DCWH/L36/42)*GG*	1	EA	NO LONGER AVAILABLE, Not available online / Call for pricing and availability
Not Shown	G9005020SG	DUCT CVR TOP (DCWH/L 3644)*SG*	1	EA	NO LONGER AVAILABLE
Not Shown	G9005020WH	DUCT CVR TOP (DCWH/L 3644) *WH*	1	EA	
23	G3106243SS	DUCT CVR BTM ASSY 12X12 DCWH/L36/42*SS*	1	EA	
Not Shown	G9006243BK	DUCT CVR BTM (DCWH/L 3644) *BK*	1	EA	
Not Shown	G9006243BT	DUCT CVR BTM (DCWH/L 3644)*BT*	1	EA	NO LONGER AVAILABLE
Not Shown	G9006243GG	DUCT CVR BTM (DCWH/L36/42)*GG*	1	EA	NO LONGER AVAILABLE, Not available online / Call for pricing and availability





Item	Part No.	Name	Qty	Uom	NOTES
Not Shown	G9006243SG	DUCT CVR BTM (DCWH/L 3644)*SG*	1	EA	
Not Shown	G9006243WH	DUCT CVR BTM (DCWH/L 3644)*WH*	1	EA	NO LONGER AVAILABLE, Not available online / Call for pricing and availability
24	PD020009	10 X 1 PH. HD. PAN HD. SMS	1	EA	
Not Shown	NOTE	Install Hardware - Qty. 6		EA	
Not Shown	PD020002	10 X 1/2 PH.TR.HD.SMS.	1	EA	
Not Shown	NOTE	Install Hardware - Qty. 6		EA	
Not Shown	PD010002	10-24 X 3/8 HEX W/HD M.S.	1	EA	
Not Shown	NOTE	Install Hardware - Qty. 4		EA	
Not Shown	PD030020	SPRING CLIP - #8056201 FKVUD	1	EA	
Not Shown	NOTE	Install Hardware - Qty. 4		EA	
Not Shown	PD020010	10 X 3/8 GREEN GROUNDING SCREW	1	EA	
Not Shown	NOTE	Install Hardware - Qty. 1		EA	
NI	PE070384	DWH30/36/42 WIRE HARNESS	1	EA	NO LONGER AVAILABLE
NI	019211-000	42" FILTER SUPPORT KIT	1	EA	

RATING LABEL LOCATION





Appendix A:Pages Index

DCWL4544 1
RATING LABEL LOCATION2



Appendix B:Parts Index

019211-000	1	PE050081	1
023911-000	1	PE070196	1
025084-000	1	PE070197	1
039680-000	1	PE070204	1
B2004667	1	PE070384	1
B2005027	1	PF030337	1
B2005037	1		
B2005038	1		
B2005039	1		
B2005040	1		
B2007323	1		
B2007324	1		
F1003870	1		
G31010268	1		
G3105020SS	1		
G3106243SS	1		
G9005020BK	1		
G9005020BT	1		
G9005020GG	1		
G9005020SG	1		
G9005020WH	1		
G9006243BK	1		
G9006243BT	1		
G9006243GG	1		
G9006243SG	1		
G9006243WH	1		
PA010089	1		
PD010002	1		
PD020002	1		
PD020009	1		
PD020010	1		
PD030020	1		
PE020058	1		
PE030053	1, 1		
PE030054	1		
PE030055	1		
PE030076	1		
PE030077	1		
PE030121	1		
PE050064	1		