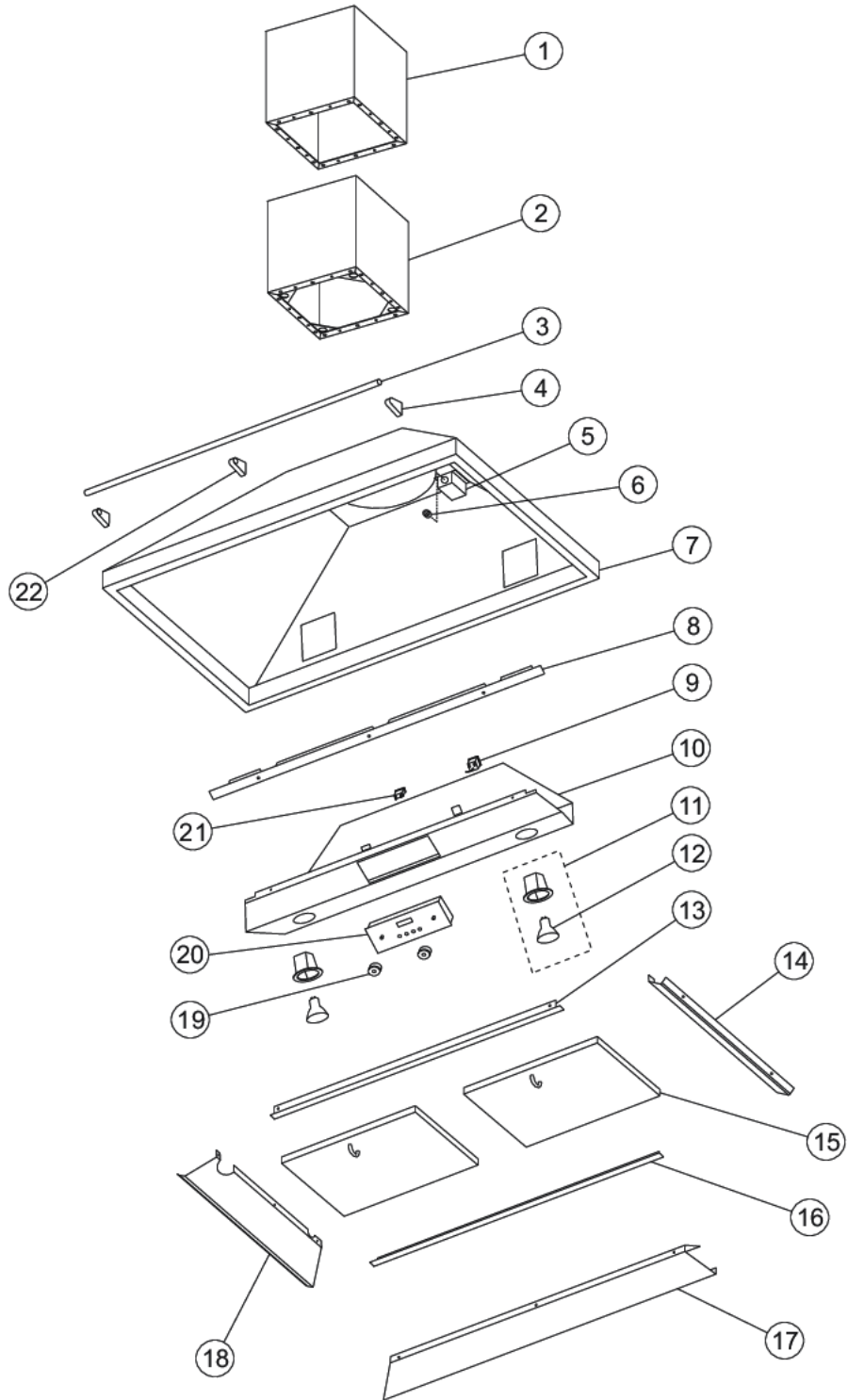


**DCWH30421**

CHIMNEY HOOD .....	1
Appendix A:Pages Index .....	A
Appendix B:Parts Index .....	B

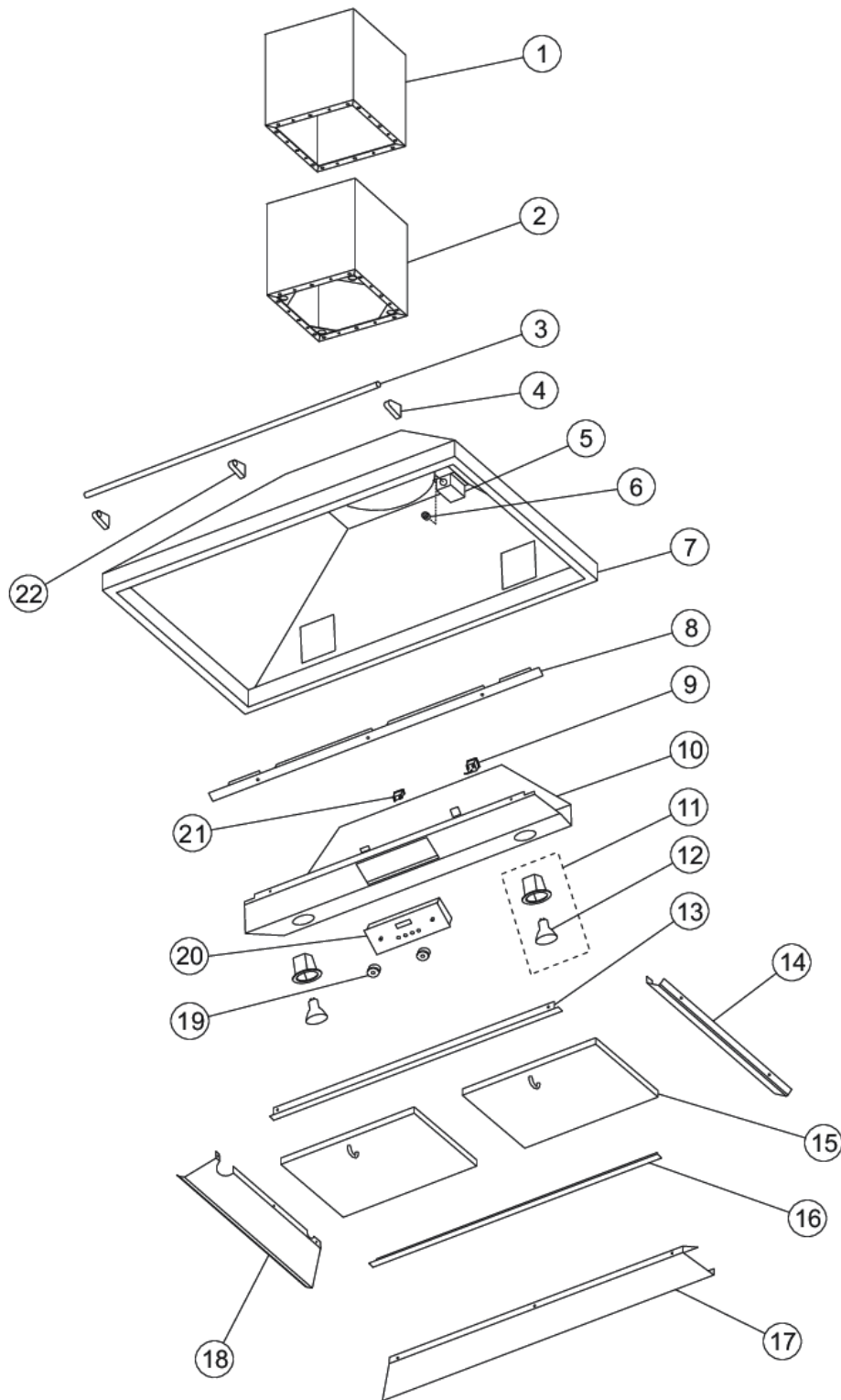


CHIMNEY HOOD



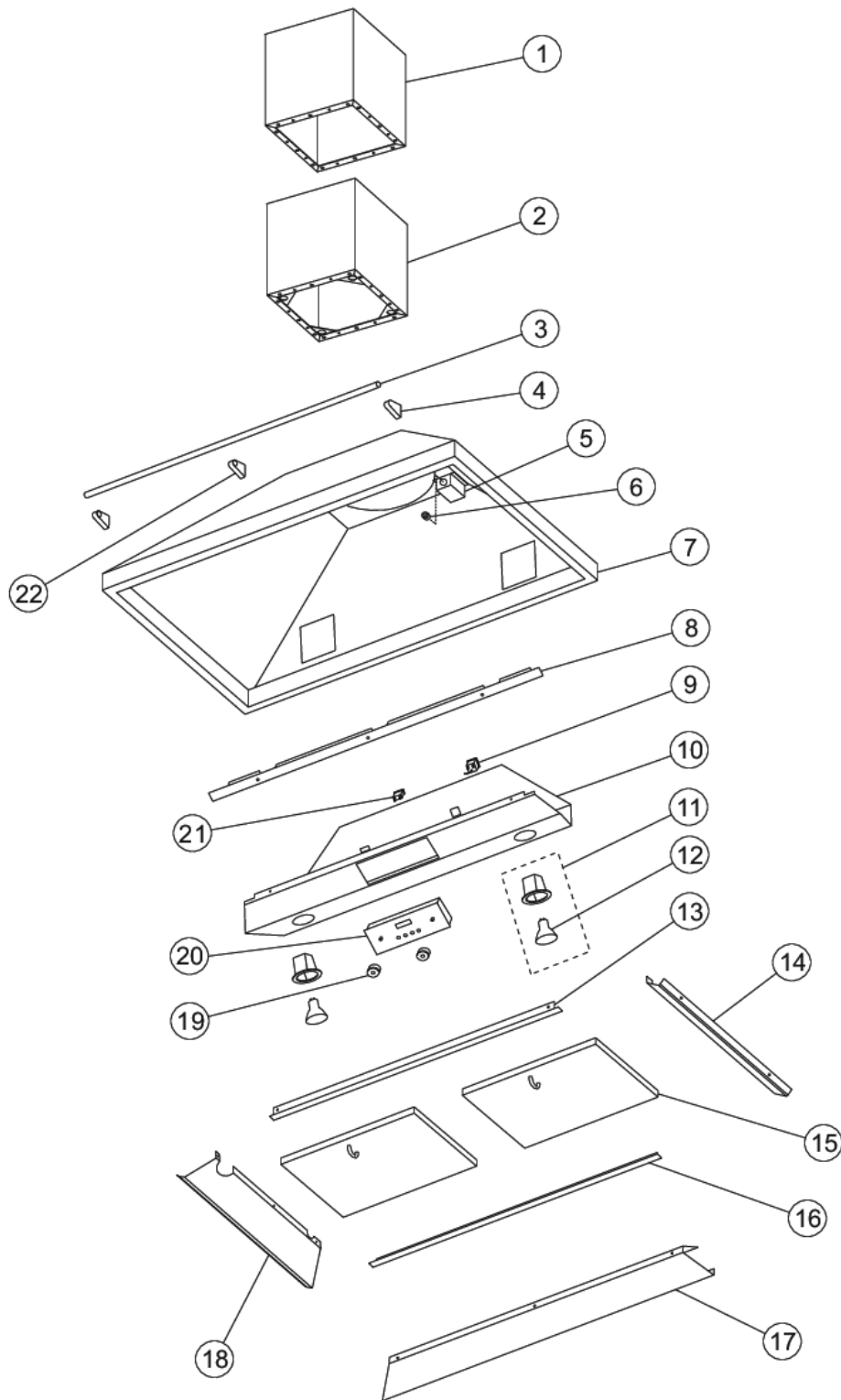


Item	Part No.	Name	Qty	Uom	NOTES
1	G3105022SS	DUCT COVER TOP ASSY 10X12 (DCWH/L30)	1	EA	Not available online / Call for pricing and availability
1	G9005022AR	DUCT CVR TOP DCWH/L 3042 AR	1	EA	
1	G9005022BK	DUCT COVER TOP - BK	1	EA	
1	G9005022BT	DUCT COVER TOP - BT	1	EA	
1	G9005022BU	DUCT CVR TOP DCWH/L 3042 BU	1	EA	
1	G9005022CB	DUCT CVR TOP DCWH/L 3042 CB	1	EA	
1	G9005022CH	DUCT CVR TOP DCWH/L 3042 CH	1	EA	
1	G9005022CW	DUCT CVR TOP DCWH/L 3042 CW	1	EA	
1	G9005022GG	DUCT CVR TOP (DCWH/L 3042)*GG*	1	EA	NO LONGER AVAILABLE
1	G9005022GM	DUCT CVR TOP DCWH/L 3042 GM	1	EA	
1	G9005022IB	DUCT CVR TOP DCWH/L 3042 IB	1	EA	
1	G9005022LE	DUCT CVR TOP DCWH/L 3042 LE	1	EA	
1	G9005022MJ	DUCT CVR TOP DCWH/L 3042 MJ	1	EA	
1	G9005022MS	DUCT CVR TOP DCWH/L 3042 MS	1	EA	
1	G9005022OG	DUCT CVR TOP DCWH/L 3042 OG	1	EA	
1	G9005022PL	DUCT CVR TOP DCWH/L 3042 PL	1	EA	
1	G9005022PM	DUCT CVR TOP DCWH/L 3042 PM	1	EA	
1	G9005022RR	DUCT CVR TOP DCWH/L 3042 RR	1	EA	
1	G9005022SA	DUCT CVR TOP DCWH/L 3042 SA	1	EA	
1	G9005022SE	DUCT CVR TOP DCWH/L 3042 SE	1	EA	
1	G9005022SG	DUCT COVER TOP - SG	1	EA	
1	G9005022TP	DUCT CVR TOP DCWH/L 3042 TP	1	EA	



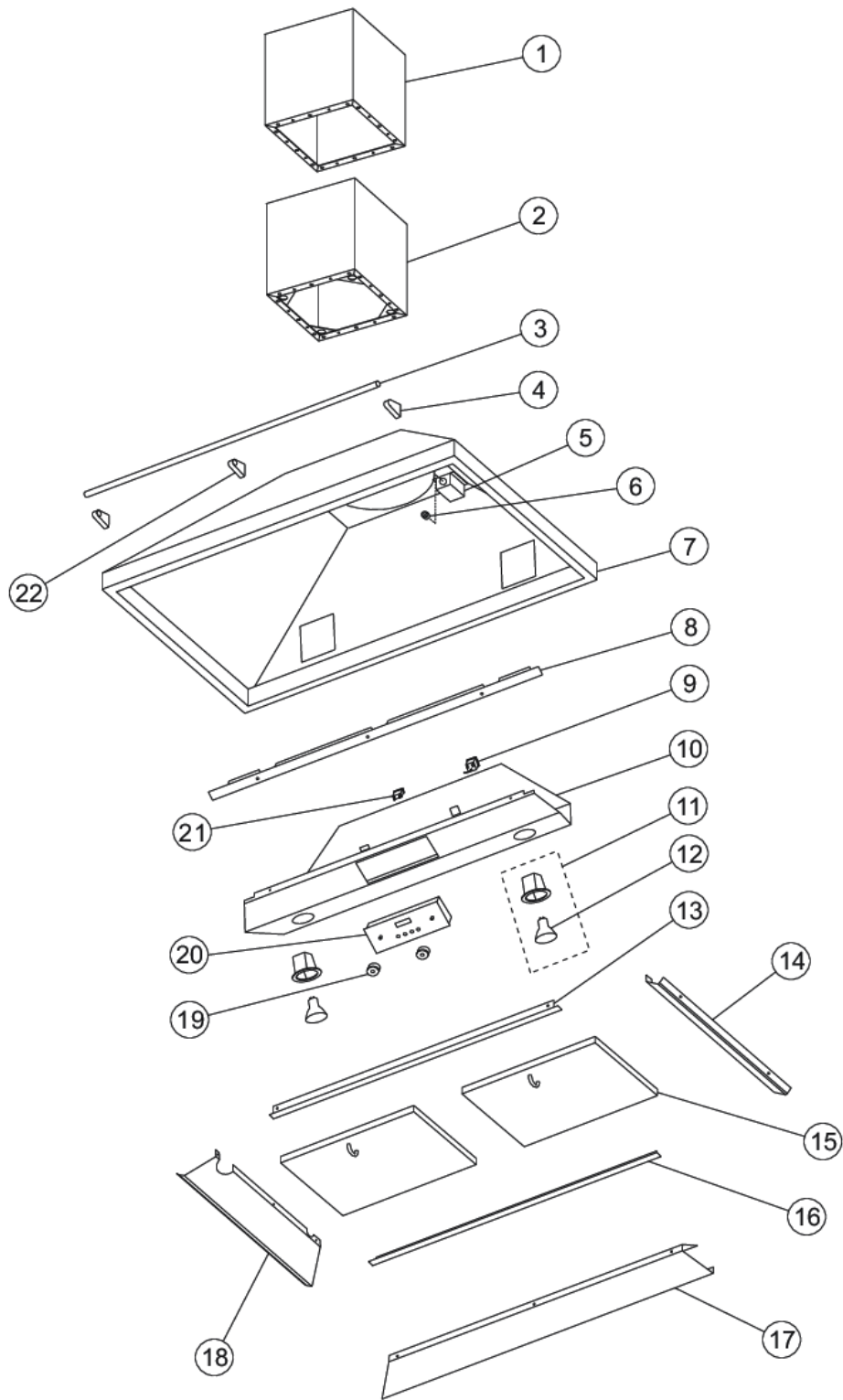


Item	Part No.	Name	Qty	Uom	NOTES
1	G9005022VB	DUCT CVR TOP DCWH/L 3042 VB	1	EA	
1	G9005022WH	DUCT CVR TOP (DCWH/L 3042)*WH*	1	EA	Not available online / Call for pricing and availability
2	G3106249SS	DUCT CVR BTM ASSY 10X12 (DCWH/L3042)*SS*	1	EA	
2	G3106249AR	DUCT COVER BOTTOM - AR	1	EA	Not available online / Call for pricing and availability
2	G3106249BK	DUCT COVER BOTTOM - BK	1	EA	Not available online / Call for pricing and availability
2	G3106249BT	DUCT COVER BOTTOM - BT	1	EA	Not available online / Call for pricing and availability
2	G3106249BU	DUCT COVER BOTTOM - BU	1	EA	Not available online / Call for pricing and availability
2	G3106249CB	DUCT COVER BOTTOM - CB	1	EA	Not available online / Call for pricing and availability
2	G3106249CH	DUCT COVER BOTTOM - CH	1	EA	Not available online / Call for pricing and availability
2	G3106249CW	DUCT COVER BOTTOM - CW	1	EA	Not available online / Call for pricing and availability
2	G3106249GG	DUCT COVER BOTTOM - GG	1	EA	Not available online / Call for pricing and availability
2	G3106249GM	DUCT COVER BOTTOM - GM	1	EA	Not available online / Call for pricing and availability
2	G3106249IB	DUCT COVER BOTTOM - IB	1	EA	Not available online / Call for pricing and availability
2	G3106249LE	DUCT COVER BOTTOM - LE	1	EA	Not available online / Call for pricing and availability

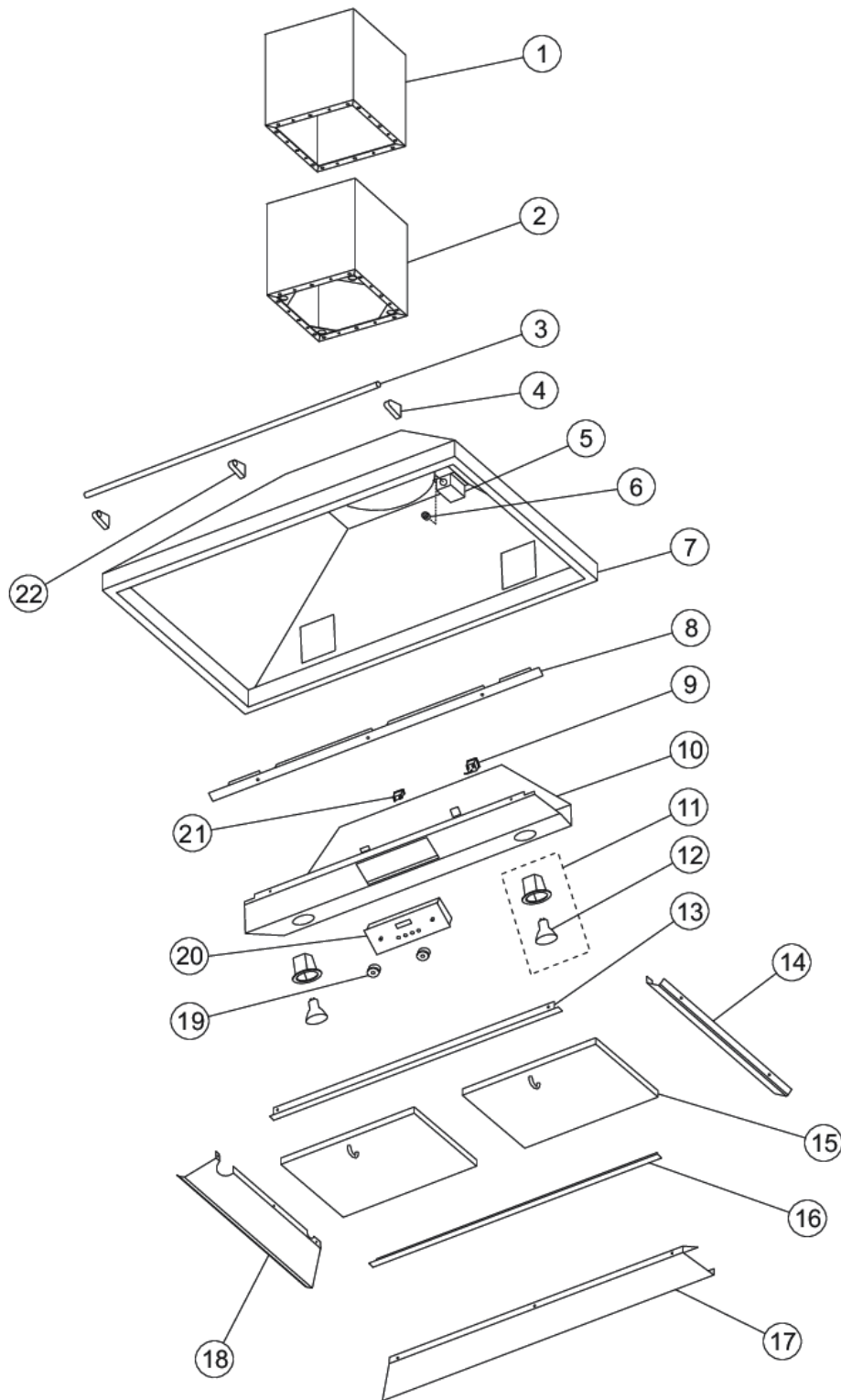




Item	Part No.	Name	Qty	Uom	NOTES
2	G3106249MJ	DUCT COVER BOTTOM - MJ	1	EA	Not available online / Call for pricing and availability
2	G3106249MS	DUCT COVER BOTTOM - MS	1	EA	Not available online / Call for pricing and availability
2	G3106249OG	DUCT COVER BOTTOM - OG	1	EA	Not available online / Call for pricing and availability
2	G3106249PL	DUCT COVER BOTTOM - PL	1	EA	Not available online / Call for pricing and availability
2	G3106249PM	DUCT COVER BOTTOM - PM	1	EA	Not available online / Call for pricing and availability
2	G3106249RR	DUCT COVER BOTTOM - RR	1	EA	Not available online / Call for pricing and availability
2	G3106249SA	DUCT COVER BOTTOM - SA	1	EA	Not available online / Call for pricing and availability
2	G3106249SE	DUCT COVER BOTTOM - SE	1	EA	Not available online / Call for pricing and availability
2	G3106249SG	DUCT COVER BOTTOM - SG	1	EA	Not available online / Call for pricing and availability
2	G3106249TP	DUCT COVER BOTTOM - TP	1	EA	Not available online / Call for pricing and availability
2	G3106249VB	DUCT COVER BOTTOM - VB	1	EA	Not available online / Call for pricing and availability
2	G3106249WH	DUCT COVER BOTTOM - WH	1	EA	Not available online / Call for pricing and availability
3	PE030120	ACCESSORY RAIL - SS - NLA	1	EA	
4	PE030054	END CAP - SS	2	EA	
4	PE030055	END CAP - BR	2	EA	



Item	Part No.	Name	Qty	Uom	NOTES
5	A2004678	DCWH ROUGH IN BOX	1	EA	
6	PE070204	HEYCO STRAIN RELIEF - 7-P2	1	EA	
7	G3005032SS	30" DCWH CANOPY ASSEMBLY	1	EA	NO LONGER AVAILABLE, Not available online / Call for pricing and availability
8	B2004695	30" FRONT I/S PANEL	1	EA	
9	PE070197	MALE SOCKET (3 PRONG)	1	EA	
10	B2004692	30" CONTROL PANEL	1	EA	
11	PE050064	LIGHT ASSEMBLY	2	EA	
12	PE050081	50 WATT HALOGEN BULB	2	EA	
13	025779-000	30" FILTER SUPT. FRONT/REAR	1	EA	
14	B2007323	I/S SIDE PANEL - RH	1	EA	NO LONGER AVAILABLE
15	G31010266	30"/42" FILTER ASSEMBLY 11.75" X 10.375"	2	EA	
16	016349-000	30" REAR FILTER SUPPORT	1	EA	Not available online / Call for pricing and availability
17	B2004691	30" I/S REAR PANEL	1	EA	NO LONGER AVAILABLE
18	B2007324	I/S SIDE PANEL - LH	1	EA	NO LONGER AVAILABLE
19	PA010089	KNOB (DESIGNER SERIES HOOD)	2	EA	
20	024862-000	FAN MOTOR CONTROL W/TIMER	1	EA	
21	PE070196	FEMALE SOCKET (2 PRONG)	1	EA	
22	PE030052	SUPPORT TUBE, HOLE THROUGH	1	EA	
22	PE030053	MIDDLE RAIL SUPPORT - BR	1	EA	
NI	039680-000	CORD, PWR, SUPPLY, VNT HD	1	EA	
NI	PE030076	CHROME "S" HOOKS REPL PV100012SS	3	EA	
NI	PE030077	BR 'S' HOOKS REPL PV100012BR	3	EA	
NI	024834-000	WIRING HARNESS	1	EA	Not available online / Call for pricing and availability





Item	Part No.	Name	Qty	Uom	NOTES
NI	002365-000	CLIP FILTER SPRING (VWH24/30/3610)	2	EA	
NI	PD020010	10 X 3/8 GREEN GROUNDING SCREW	1	EA	



Appendix A:Pages Index

CHIMNEY HOOD .....1



Appendix B:Parts Index

002365-000	1	G9005022BK	1
016349-000	1	G9005022BT	1
024834-000	1	G9005022BU	1
024862-000	1	G9005022CB	1
025779-000	1	G9005022CH	1
039680-000	1	G9005022CW	1
A2004678	1	G9005022GG	1
B2004691	1	G9005022GM	1
B2004692	1	G9005022IB	1
B2004695	1	G9005022LE	1
B2007323	1	G9005022MJ	1
B2007324	1	G9005022MS	1
G3005032SS	1	G9005022OG	1
G31010266	1	G9005022PL	1
G3105022SS	1	G9005022PM	1
G3106249AR	1	G9005022RR	1
G3106249BK	1	G9005022SA	1
G3106249BT	1	G9005022SE	1
G3106249BU	1	G9005022SG	1
G3106249CB	1	G9005022TP	1
G3106249CH	1	G9005022VB	1
G3106249CW	1	G9005022WH	1
G3106249GG	1	PA010089	1
G3106249GM	1	PD020010	1
G3106249IB	1	PE030052	1
G3106249LE	1	PE030053	1
G3106249MJ	1	PE030054	1
G3106249MS	1	PE030055	1
G3106249OG	1	PE030076	1
G3106249PL	1	PE030077	1
G3106249PM	1	PE030120	1
G3106249RR	1	PE050064	1
G3106249SA	1	PE050081	1
G3106249SE	1	PE070196	1
G3106249SG	1	PE070197	1
G3106249SS	1	PE070204	1
G3106249TP	1		
G3106249VB	1		
G3106249WH	1		
G9005022AR	1		