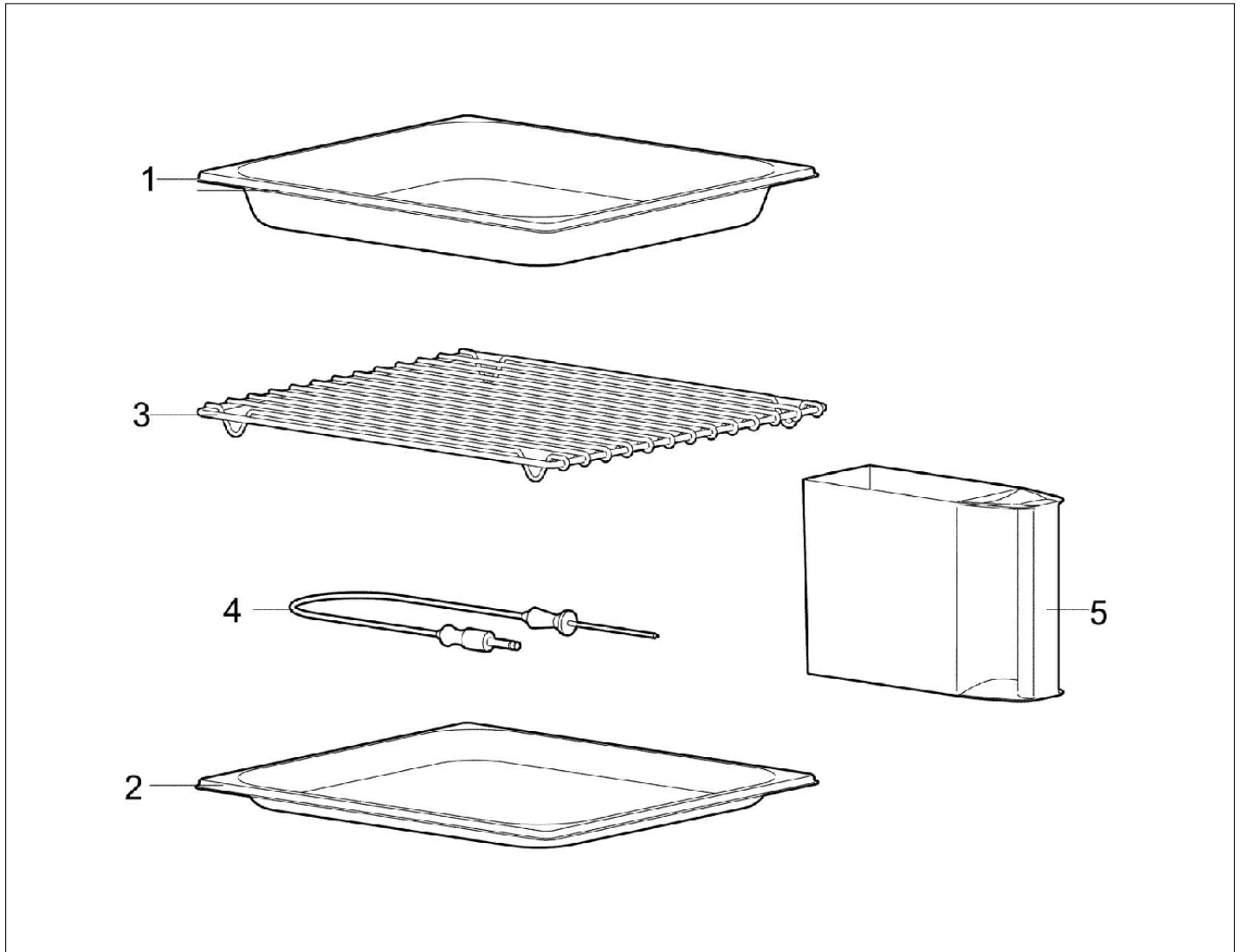


DCSO244

ACCESSORIES 1	1
ACCESSORIES 2	2
CASING	3
CONTROL PANEL AREA	4
CONVECTION AREA	5
DOOR	6
GENERAL VIEW	7
OVEN INTERIOR	8
WATER CONDUIT SYSTEM	9
Appendix A:Pages Index	A
Appendix B:Parts Index	B

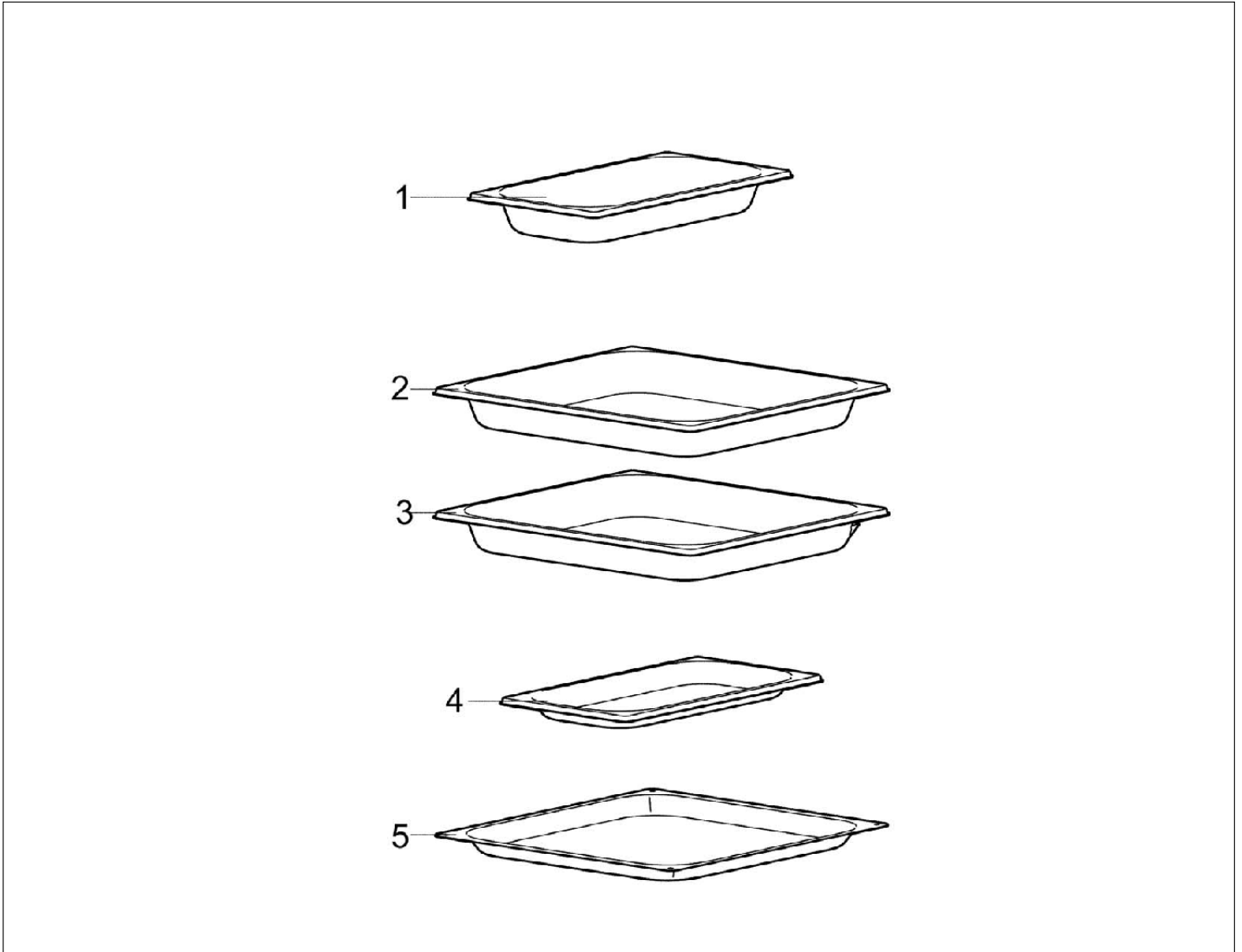
ACCESSORIES 1





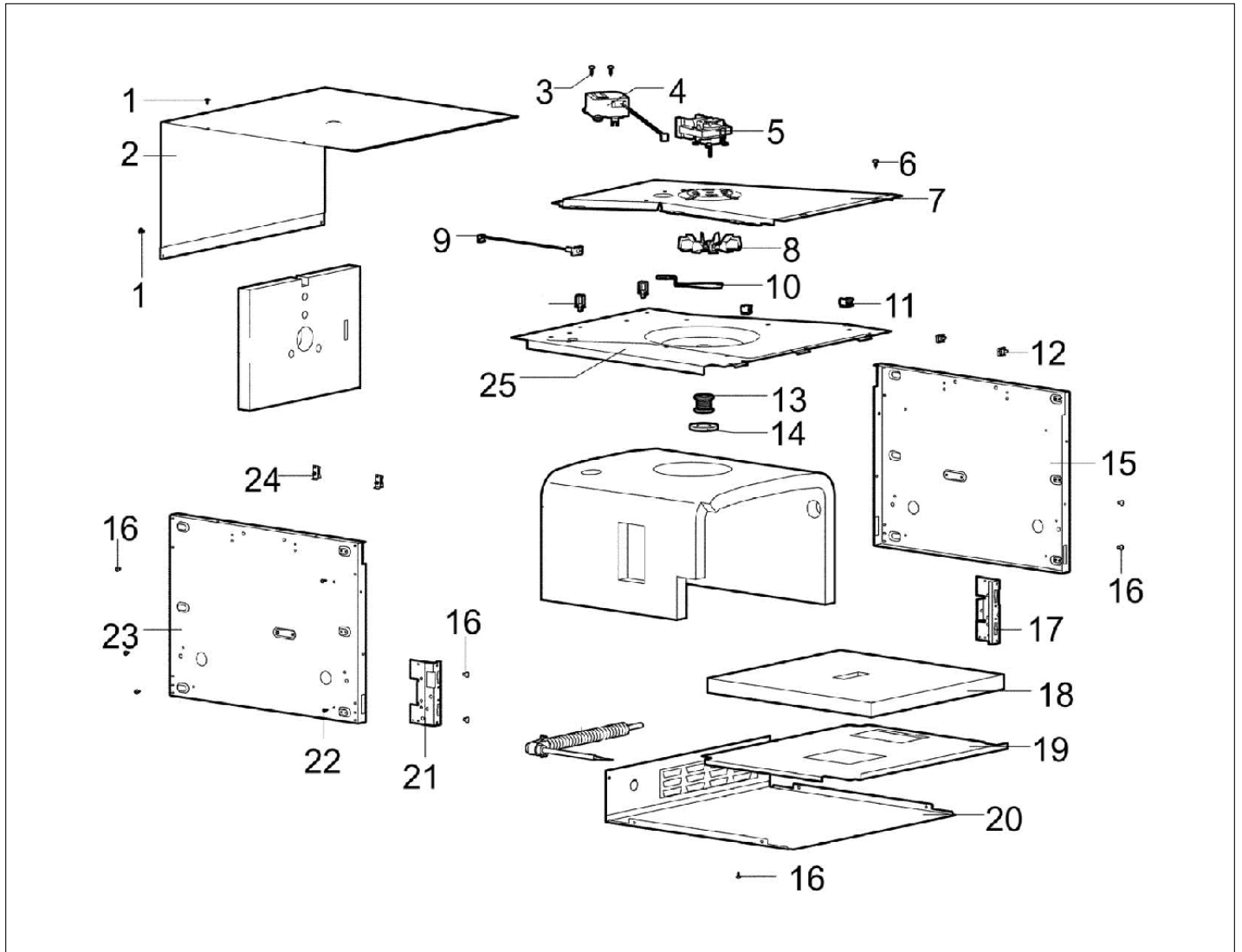
Item	Part No.	Name	Qty	Uom	NOTES
1	SALES ITEM	COOKING TRAY	1	EA	
2	SALES ITEM	BAKING TRAY	1	EA	
3	SALES ITEM	RACK	1	EA	
4	001676-000	MEAT PROBE NTC 50KOHM,W/STRAIGHT GRIP P59.060	1	EA	
5	001559-000	WATER TANK COMPLETE COMBI-STEAM - K2.3086	1	EA	

ACCESSORIES 2



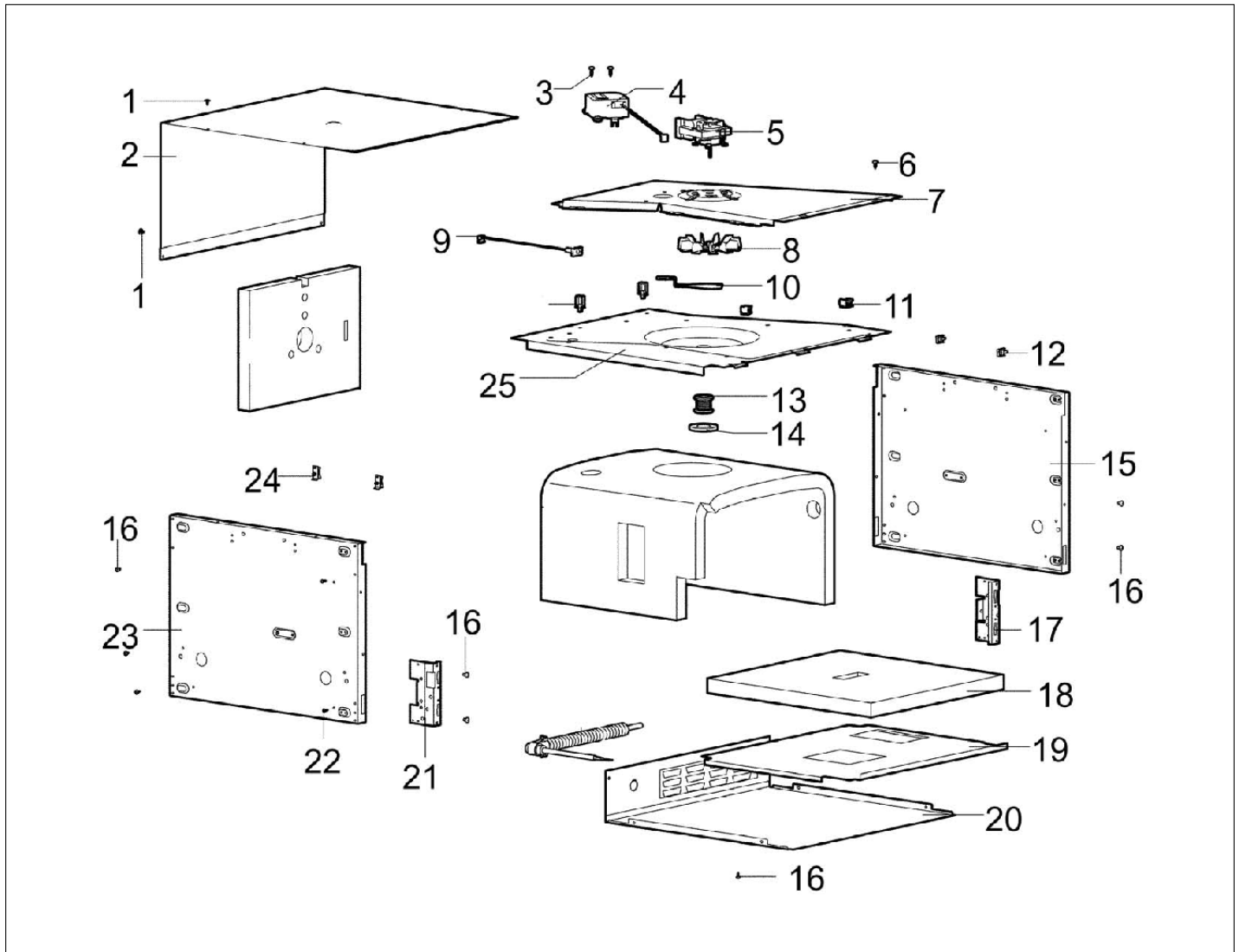


Item	Part No.	Name	Qty	Uom	NOTES
1	SALES ITEM	PERFORATED COOKING TRAY	1	EA	
2	SALES ITEM	UNPERFORATED COOKING TRAY	1	EA	
3	SALES ITEM	COOKING TRAY WITH LIP	1	EA	
4	SALES ITEM	BAKING TRAY - UNPERFORATED	1	EA	
5	SALES ITEM	ENAMEL BAKING TRAY	1	EA	





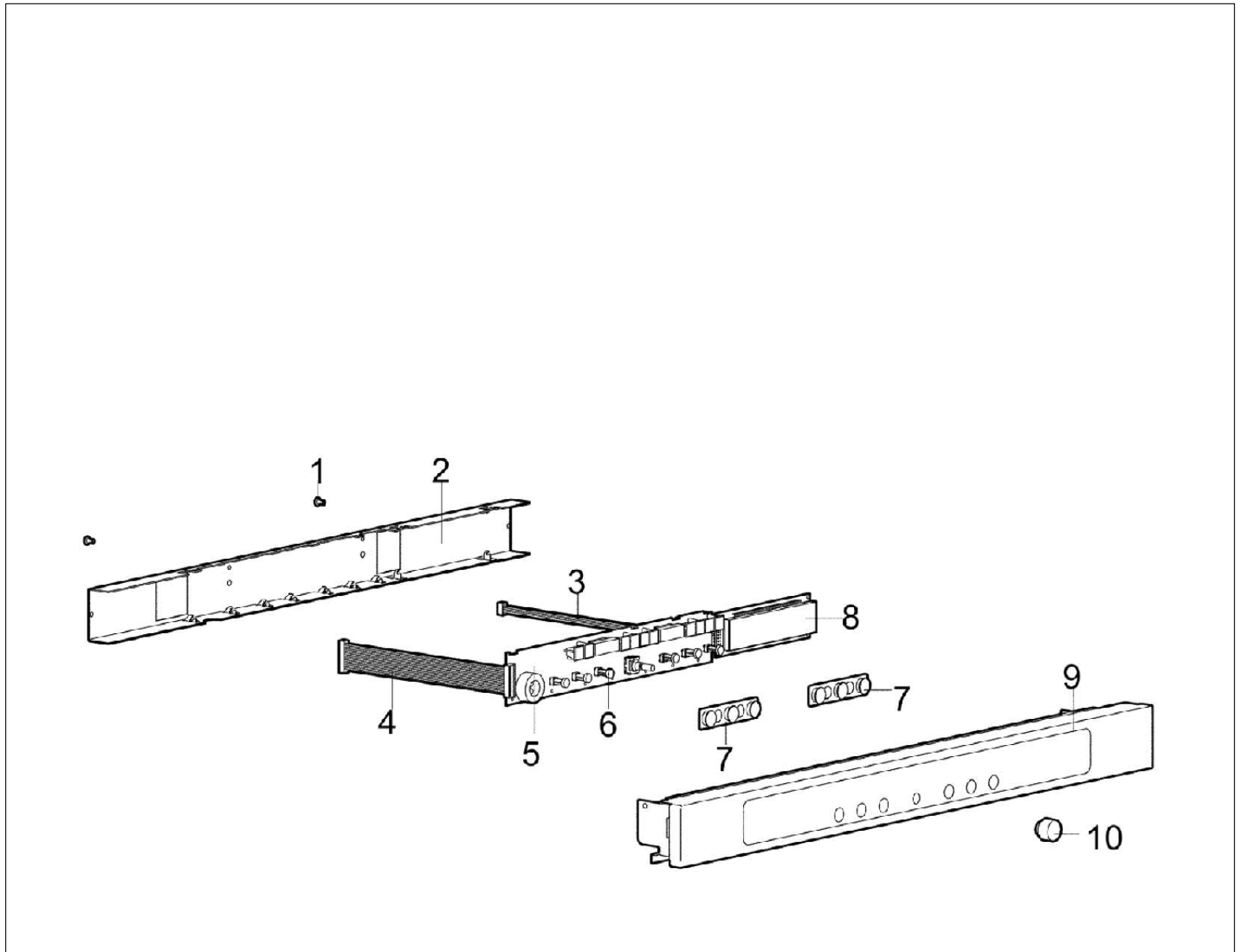
Item	Part No.	Name	Qty	Uom	NOTES
1	001539-000	X-REC PAN SCREW ST ZN-PLT 31.2121.13	1	EA	NO LONGER AVAILABLE, Not available online / Call for pricing and availability
2	001632-000	COVER PLATE, TOP K2.9404	1	EA	
3	001660-000	HEXALB SELF-TAP SCREW A2 4.2x16 - P10.024	1	EA	NO LONGER AVAILABLE, Not available online / Call for pricing and availability
4	001584-000	LIMITER BOSCH ACTUATOR FOR USE W/SLIDE VALVE K2.4330	1	EA	
5	001636-000	AIR VENTILATOR UL - K2.9408	1	EA	
6	001662-000	HEXALB SELF-TAP SCREW, A2 4.2x9.5 - P10.027	1	EA	NO LONGER AVAILABLE, Not available online / Call for pricing and availability
7	001599-000	AIR CONDUCTION PLATE, CURVED CST-SL K2.6904	1	EA	NO LONGER AVAILABLE, Not available online / Call for pricing and availability
8	001554-000	VENTILATOR WHEEL, D100 - K0.5206	1	EA	Not available online / Call for pricing and availability
9	001576-000	TEMPERATURE SENSOR NTC K2.3815	1	EA	
10	001577-000	SLIDE VALVE K2.3819 - NLA	1	EA	NO LONGER AVAILABLE
11	001671-000	CABLE CLAMP, SMALL W/LONG SLOT P50.564	1	EA	NO LONGER AVAILABLE, Not available online / Call for pricing and availability
12	001668-000	LOCKING CABLE CLAMP P50.557	1	EA	NO LONGER AVAILABLE, Not available online / Call for pricing and availability
13	001581-000	SILICON CONNECTION, COMPL SLEEVE INSIDE ABOVE K2.3830	1	EA	NO LONGER AVAILABLE, Not available online / Call for pricing and availability





Item	Part No.	Name	Qty	Uom	NOTES
14	002053-000	EXTRACTED AIR GASKET - COMPLETE	1	EA	NO LONGER AVAILABLE, Not available online / Call for pricing and availability
15	001642-000	SIDE WALL, RIGHT K2.9449	1	EA	NO LONGER AVAILABLE, Not available online / Call for pricing and availability
16	001663-000	HEXALB SELF-TAP, SELF-LOC 4.2x9.5 - P10.032	1	EA	NO LONGER AVAILABLE, Not available online / Call for pricing and availability
17	001594-000	DOOR HINGE, RIGHT, ALL MODELS K2.4588	1	EA	
18	001582-000	INSULATION, BOTTOM OF SLEEVE CST-SL K2.3894	1	EA	NO LONGER AVAILABLE, Not available online / Call for pricing and availability
19	001638-000	SUPPORT PLATE K2.9431	1	EA	NO LONGER AVAILABLE, Not available online / Call for pricing and availability
20	001630-000	COVER PLATE, BTM K2.9403	1	EA	
21	001593-000	DOOR HINGE, LEFT, ALL MODELS K2.4587	1	EA	
22	001666-000	CTSNK SELF-TAP SELF-LOCK 4.2x13 - P10.056	1	EA	NO LONGER AVAILABLE, Not available online / Call for pricing and availability
23	001641-000	SIDE WALL, LEFT K2.9448	1	EA	NO LONGER AVAILABLE, Not available online / Call for pricing and availability
24	001670-000	RIBBON CABLE CLAMP, LOCKING P50.562	1	EA	NO LONGER AVAILABLE, Not available online / Call for pricing and availability
25	001567-000	INSIDE METAL PLATE, ABOVE K2.3710	1	EA	NO LONGER AVAILABLE, Not available online / Call for pricing and availability

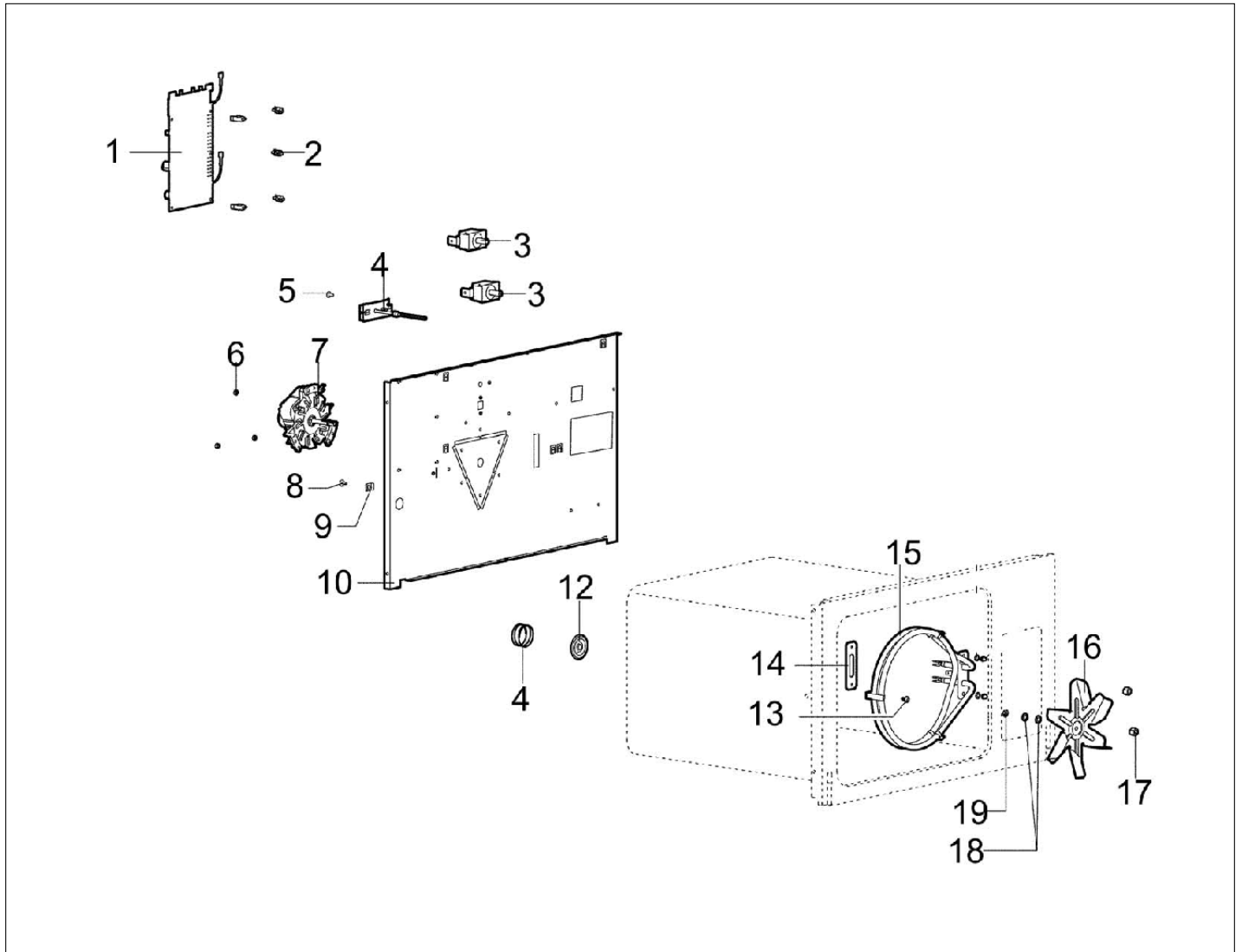
CONTROL PANEL AREA



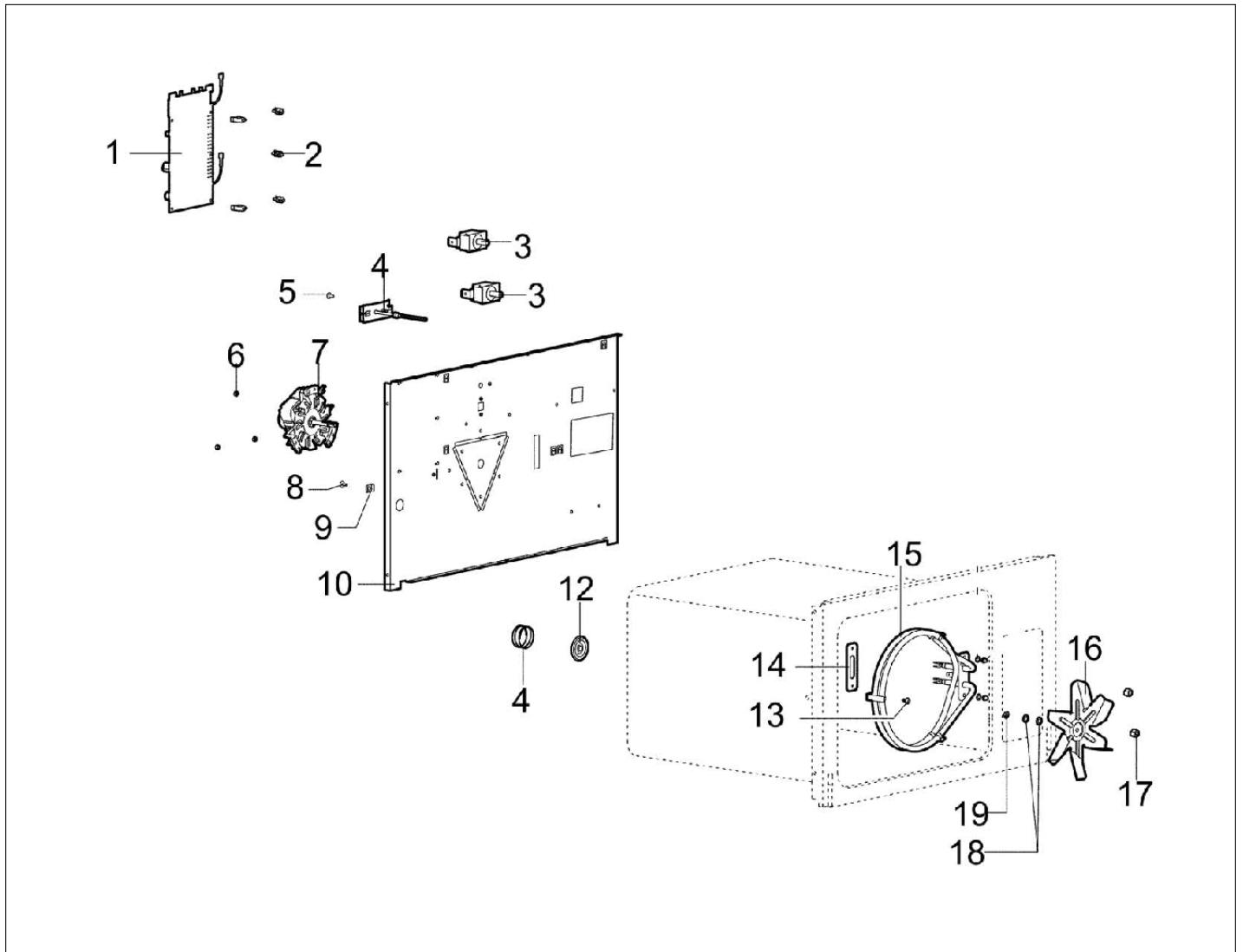


Item	Part No.	Name	Qty	Uom	NOTES
1	001656-000	HEXALB SELF-TAP SCREW ST N25.010	1	EA	NO LONGER AVAILABLE, Not available online / Call for pricing and availability
2	001686-000	BRKT OPERATING PNL CST/ST K2.5034	1	EA	NO LONGER AVAILABLE, Not available online / Call for pricing and availability
3	001600-000	6 - POLE RIBBON CABLE K2.8445 - NLA	1	EA	NO LONGER AVAILABLE
4	001603-000	RIBBON CABLE, COMPLETE W/CLAMP K2.8454	1	EA	
5	001628-000	OPERATING PANEL, CST K2.9350	1	EA	
6	001556-000	KNOB STEM - K1.6250	1	EA	
7	001557-000	BUTTON MAT, SET OF 3, SILICON RUBBER - K1.6251	1	EA	
8	001637-000	VFD MODLE, 2x24 CHARACS W/COLOR FILTER -K2.9409	1	EA	
9	001682-000	OPERATING PNL, PASTED K2.9451	1	EA	NO LONGER AVAILABLE
10	001555-000	ADJUSTING KNOB. COMPL W/D=4.8mm SHAFT - K1.6247	1	EA	

CONVECTION AREA

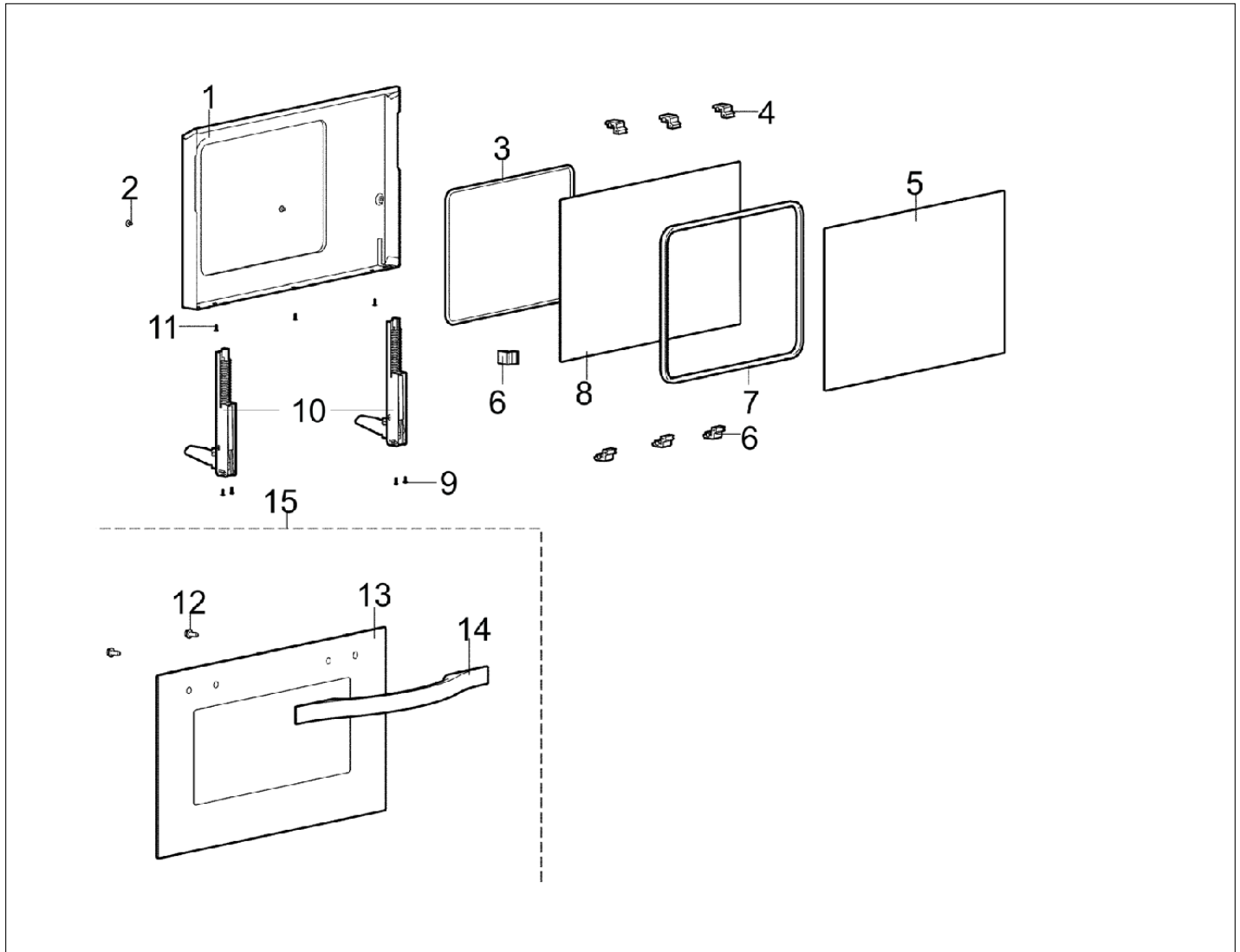


Item	Part No.	Name	Qty	Uom	NOTES
1	001627-000	PROCESSOR, COMBI STEAM SL K2.93301	1	EA	
2	002039-000	CIRCUIT BOARD HOLDER	1	EA	Not available online / Call for pricing and availability
3	001672-000	THERMO CIRCUIT BREAKER P59.071	1	EA	
4	001673-000	TEMPERATURE SENSOR PT500 W/CONNECTOR P59.066	1	EA	
5	001663-000	HEXALB SELF-TAP, SELF-LOC 4.2x9.5 - P10.032	1	EA	NO LONGER AVAILABLE, Not available online / Call for pricing and availability
6	001535-000	HEXAGON NUT 0,8D ST - 25.3161.62	1	EA	NO LONGER AVAILABLE, Not available online / Call for pricing and availability
7	001634-000	HOT-AIR FAN UL VERSION - K2.9406	1	EA	
8	001655-000	HEXALB THREAD FORMING SCR M5x12, SELF LOCK N18.454	1	EA	NO LONGER AVAILABLE, Not available online / Call for pricing and availability
9	001669-000	L - CLAMP ANGLE W3.5651	1	EA	NO LONGER AVAILABLE, Not available online / Call for pricing and availability
10	001597-000	INSIDE BACK WALL CST K2.5191	1	EA	NO LONGER AVAILABLE, Not available online / Call for pricing and availability
11	001561-000	PRESSURE SPRING - K2.3159	1	EA	NO LONGER AVAILABLE, Not available online / Call for pricing and availability
12	001564-000	SHAFT GASKET COMPLETE, FOR HOT AIR K2.3219	1	EA	NO LONGER AVAILABLE, Not available online / Call for pricing and availability
13	001662-000	HEXALB SELF-TAP SCREW, A2 4.2x9.5 - P10.027	1	EA	NO LONGER AVAILABLE, Not available online / Call for pricing and availability



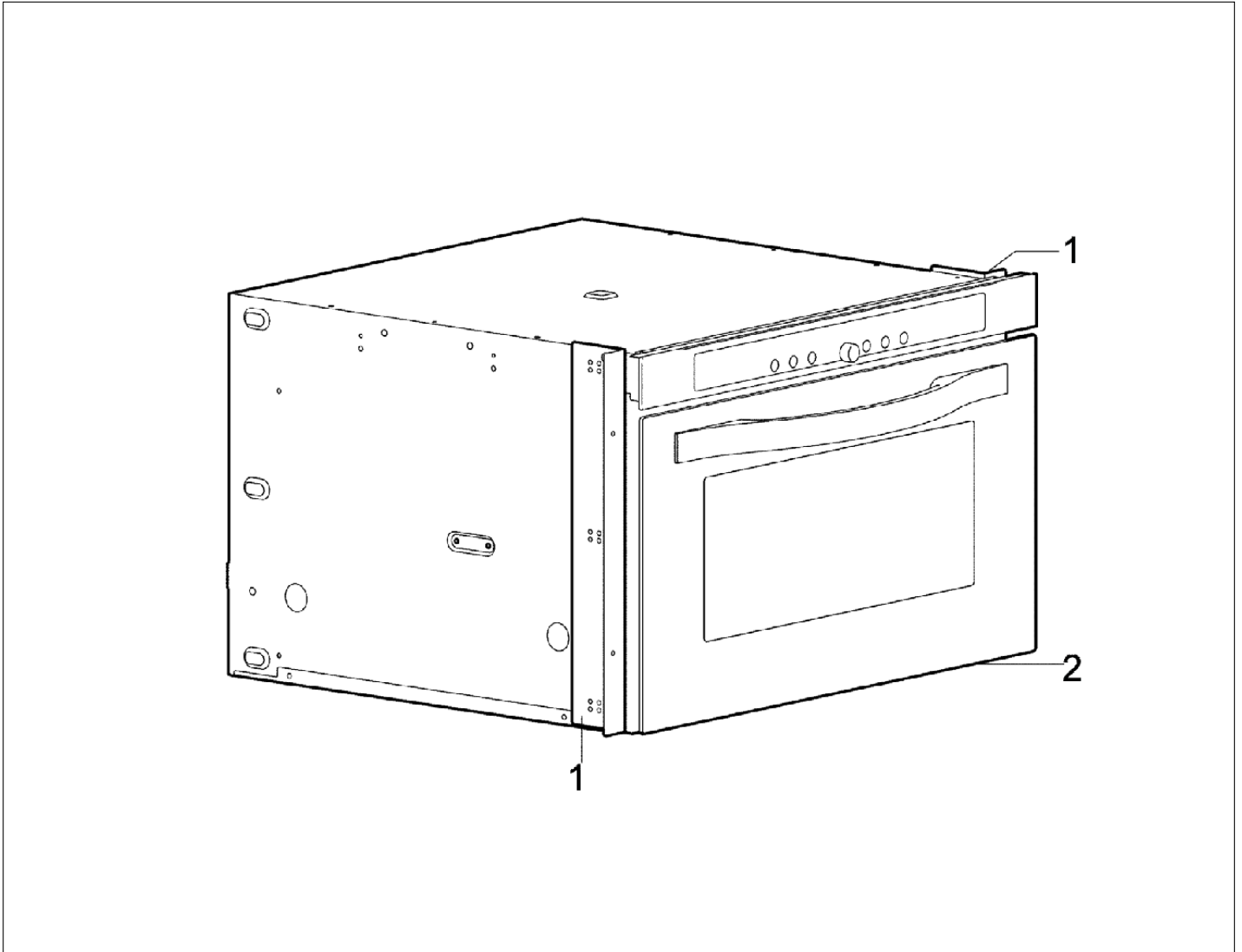
Item	Part No.	Name	Qty	Uom	NOTES
14	001680-000	GASKET HOT AIR HEATER K2.3232	1	EA	NO LONGER AVAILABLE, Not available online / Call for pricing and availability
15	000815-000	HOT AIR HEATER 1900 WATT/230V - K0.0489	1	EA	
16	001541-000	HOT AIR FAN BLADES, CrNi - 33.5955.40	1	EA	
17	001550-000	HEXAGON NUT A2,M6 LEFT THREAD - K0.3360	1	EA	NO LONGER AVAILABLE, Not available online / Call for pricing and availability
18	001553-000	SHIM RING 6/11x1 , A2 - K0.3366	1	EA	NO LONGER AVAILABLE, Not available online / Call for pricing and availability
19	001533-000	TAB WASHER 17/7 MAG 5/11, 3x0,7 DIN6799 - 25.2643.16	1	EA	NO LONGER AVAILABLE, Not available online / Call for pricing and availability

DOOR



Item	Part No.	Name	Qty	Uom	NOTES
1	001595-000	INSIDE DOORS, COMPLETE COMBI-STEAM K2.4755	1	EA	
2	002299-000	SCREW, HEXALB FLAT HEAD M4 X 6	1	EA	Not available online / Call for pricing and availability
3	001565-000	SEALING PROFILE, PREFAB. COMBI-STEAM K2.3560	1	EA	
4	001588-000	SPACING PROFILE ABOVE PREFAB. GLASS DR KIT K2.4489	1	EA	NO LONGER AVAILABLE
5	001586-000	INTERMEDIATE GLASS, PRINT CST K2.4482	1	EA	
6	001583-000	SPACING PROFILE BELOW K2.4302	1	EA	NO LONGER AVAILABLE
7	001591-000	GASKET FRAME, COMPLETE COMBI-STEAM K2.4546	1	EA	
8	001590-000	INSIDE GLASS COMBI-STEAM K2.4545 - NLA	1	EA	NO LONGER AVAILABLE
9	001665-000	HEXALB. SELF-TAP SCREW 3.5x11, FLAT HEADED P10.050	1	EA	Not available online / Call for pricing and availability
10	001648-000	HINGE K2.9469	1	EA	
11	002230-000	SCREW, HEXALB SELF TAP SELF LOCK	1	EA	Not available online / Call for pricing and availability
12	002288-000	HEX SCREW, SELF LOCKING 1/4 X 5/8	1	EA	Not available online / Call for pricing and availability
13	001688-000	PRO-GLUED FRNT GLASS CS K2.94442	1	EA	
14	001681-000	DR HANDLE, 19.5" K2.9423	1	EA	NO LONGER AVAILABLE, Not available online / Call for pricing and availability
15	001685-000	PRE-ASSEMBLED DR CS K2.94572 - NLA	1	EA	NO LONGER AVAILABLE

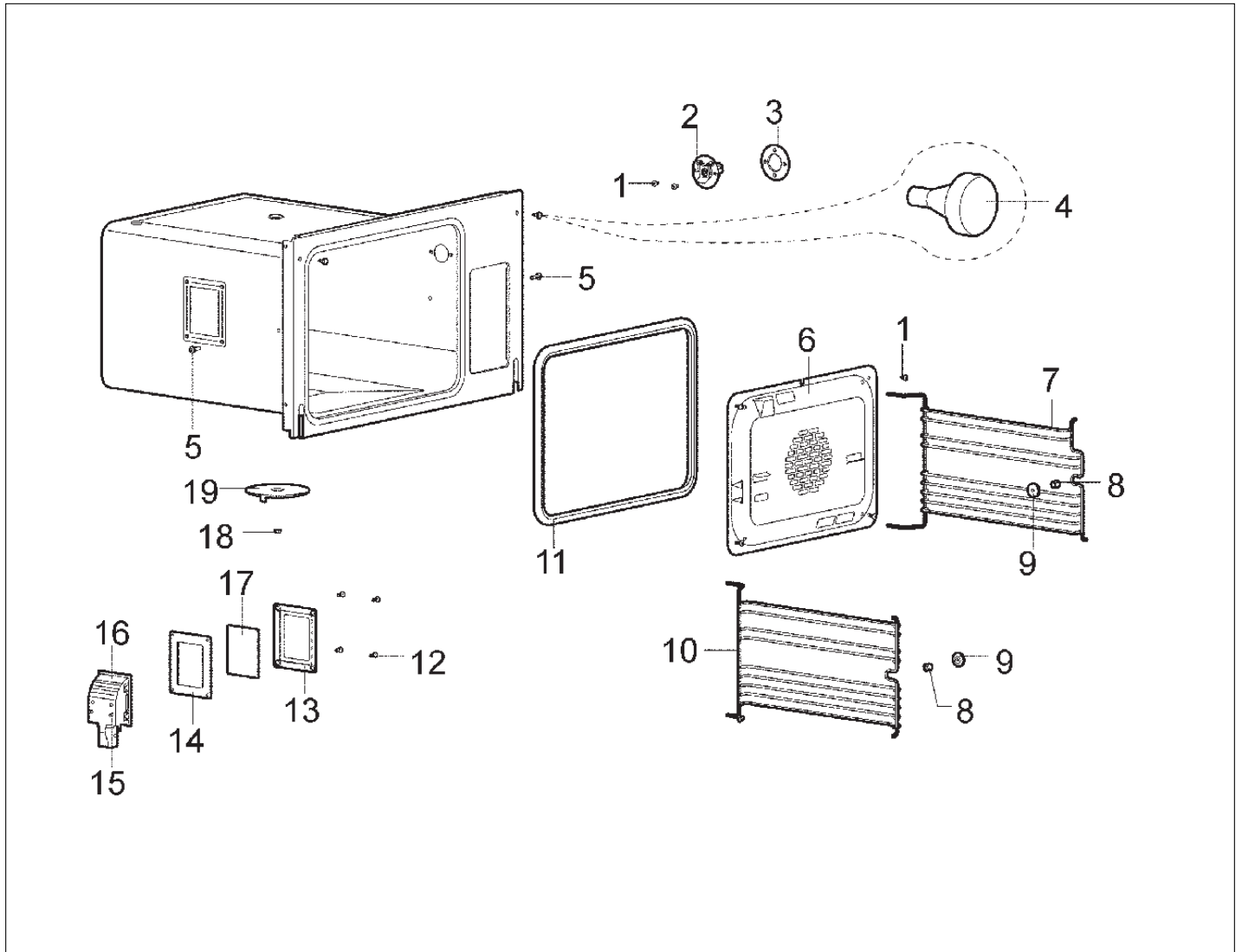
GENERAL VIEW



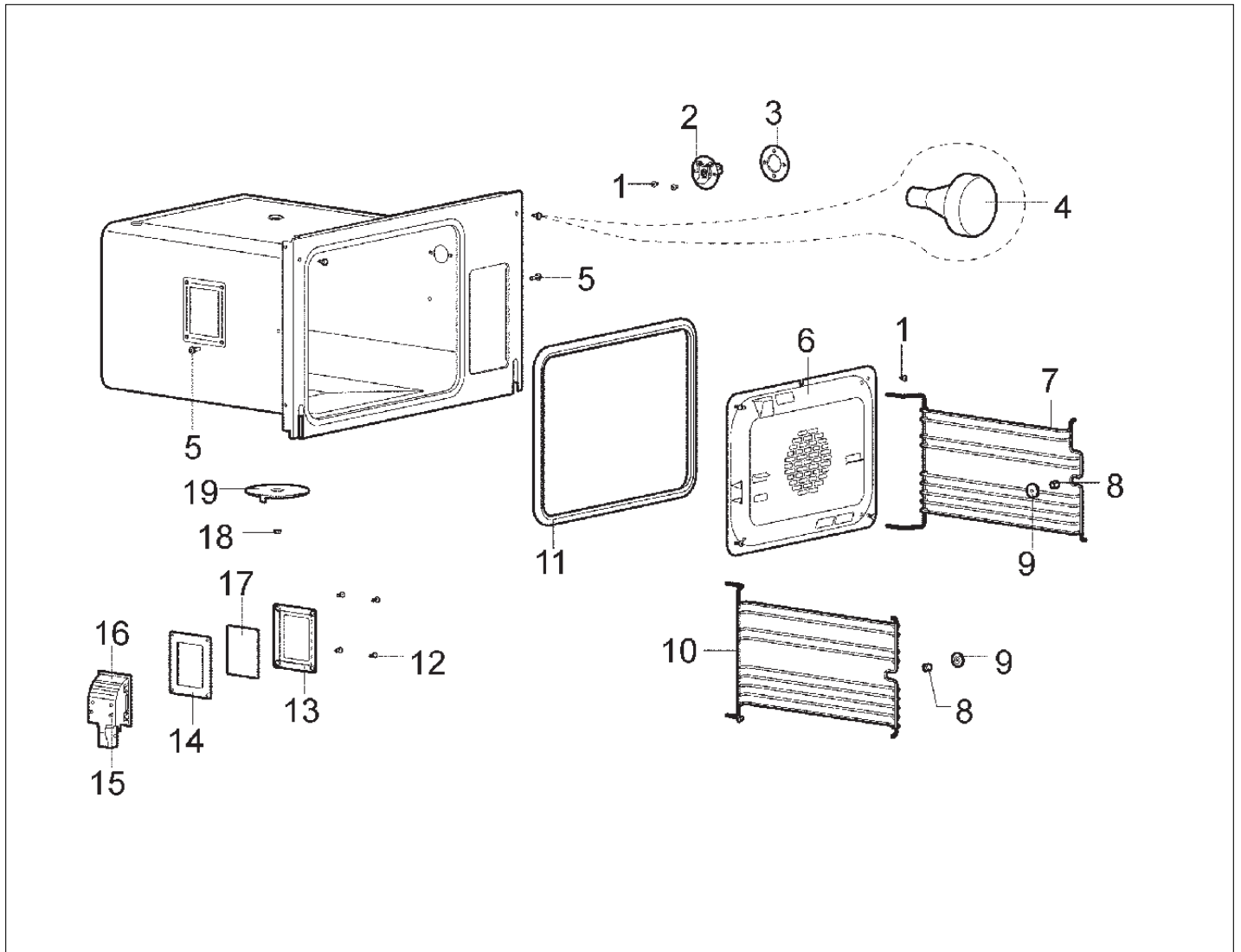


Item	Part No.	Name	Qty	Uom	NOTES
1	001651-000	LATERAL HOLDER K2.9499	1	EA	Not available online / Call for pricing and availability
1A	000819-000	Fastening screw set,zn pl light-colored appl - K0.1200 - NLA	1	EA	NO LONGER AVAILABLE
2	001592-000	CONDENSATE CONDUIT CST K2.4548	1	EA	

OVEN INTERIOR



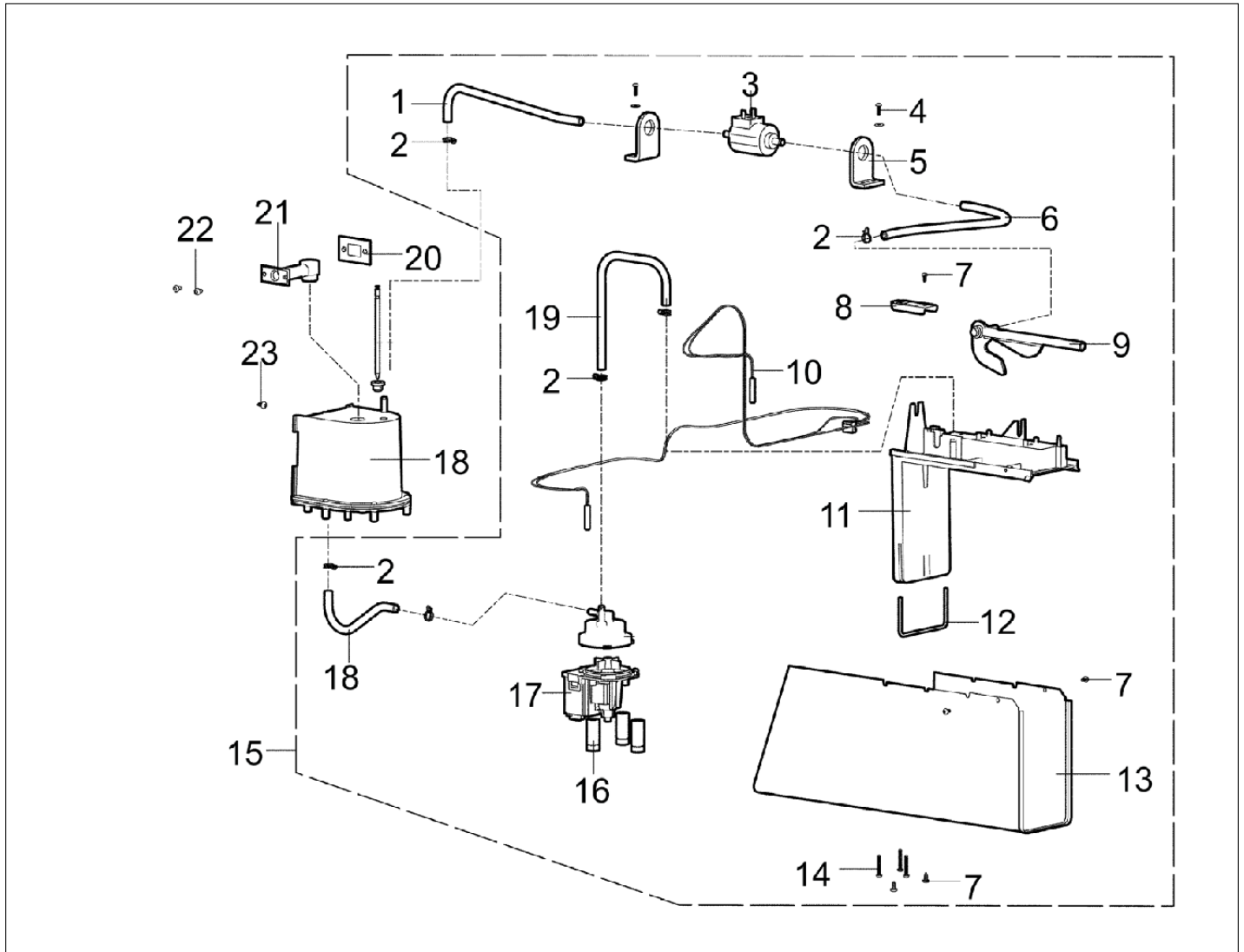
Item	Part No.	Name	Qty	Uom	NOTES
1	001662-000	HEXALB SELF-TAP SCREW, A2 4.2x9.5 - P10.027	1	EA	NO LONGER AVAILABLE, Not available online / Call for pricing and availability
2	000820-000	Socket for food sensor, prefabricated, max.350c - K2.3647	1	EA	
3	000821-000	FLANGE GASKET COMBI- STEAM - K2.3080	1	EA	NO LONGER AVAILABLE, Not available online / Call for pricing and availability
4	000812-000	STOP BUFFER W/PLUG - K2.5811	1	EA	NO LONGER AVAILABLE, Not available online / Call for pricing and availability
5	001667-000	HEXALB PAN HEAD SCREW A2 M5x16 - P10.300 - NLA	1	EA	NO LONGER AVAILABLE
6	001535-000	HEXAGON NUT 0,8D ST - 25.3161.62	1	EA	NO LONGER AVAILABLE, Not available online / Call for pricing and availability
7	001573-000	SHELF GUIDES, RIGHT K2.3791	1	EA	NO LONGER AVAILABLE
8	001580-000	SPACER M5 K2.3824 - NLA	1	EA	NO LONGER AVAILABLE
9	001658-000	LOW KNURLED NUTS N40.750	1	EA	NO LONGER AVAILABLE
10	001572-000	SHELF GUIDES, LEFT K2.3790 - NLA	1	EA	NO LONGER AVAILABLE
11	000813-000	DOOR GASKET, VAR.2 - K2.4206	1	EA	
12	001657-000	HEXALB CTRSNK SELF-TAP SCREW 4,2x13 N25.350	1	EA	Not available online / Call for pricing and availability
13	001606-000	FRAME OVEN LIGHT K2.9113	1	EA	NO LONGER AVAILABLE, Not available online / Call for pricing and availability
14	000826-000	GASKET OVEN LIGHT COMBI- STEAM K2.9112 - NLA	1	EA	NO LONGER AVAILABLE
15	001654-000	HEXALB THREAD FORMING SCR M4x6 - N18.452	1	EA	NO LONGER AVAILABLE, Not available online / Call for pricing and availability



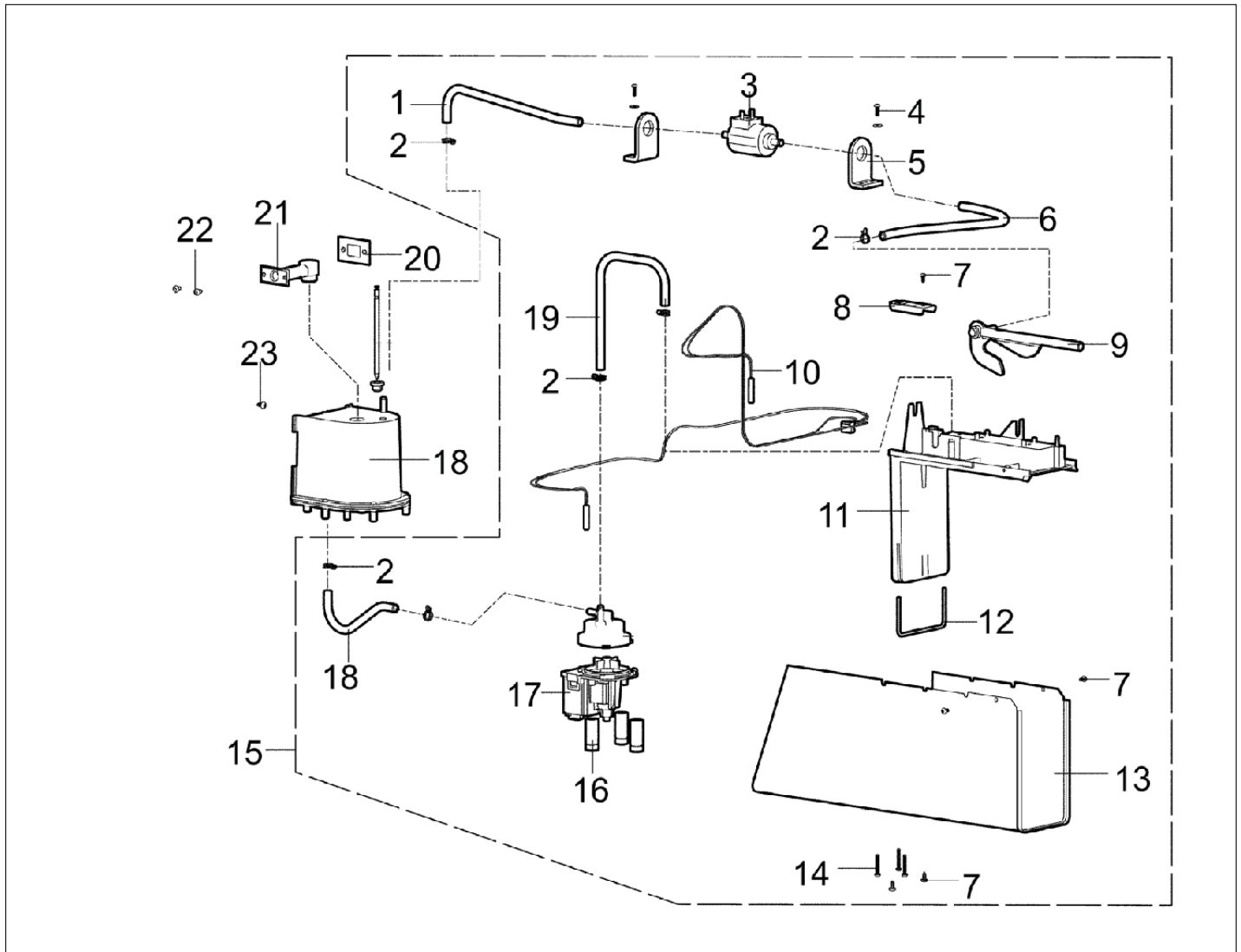


Item	Part No.	Name	Qty	Uom	NOTES
16	000824-000	LIGHT CASING, 25W LIGHT BULB - K0.9008	1	EA	NO LONGER AVAILABLE
17	000825-000	SAFETY GLASS OVEN LIGHT COMBI STEAM - K2.9111 - NLA	1	EA	NO LONGER AVAILABLE
18	001540-000	SELF - LOCKING NUT W/SERRATED BEARING M5 - 31.2511.91	1	EA	NO LONGER AVAILABLE, Not available online / Call for pricing and availability
19	000823-000	CS set - bottom heater CST-SL / ST-S K2.5520	1	EA	

WATER CONDUIT SYSTEM



Item	Part No.	Name	Qty	Uom	NOTES
1	002066-000	SILICONE HOSE - BRAIDED	1	EA	NO LONGER AVAILABLE, Not available online / Call for pricing and availability
2	002243-000	Hose Clamp	1	EA	
3	001635-000	INLET PUMP UL-VERSION K2.9407	1	EA	
4	002241-000	Screw, Hexalb Pan Head 3.5 X 12 Zinc	1	EA	NO LONGER AVAILABLE, Not available online / Call for pricing and availability
5	002055-000	VIBRATION ABSORBING ELEMENT	1	EA	NO LONGER AVAILABLE, Not available online / Call for pricing and availability
6	002069-000	SILICONE HOSE D6 X 290 - NLA	1	EA	NO LONGER AVAILABLE
7	002240-000	Screw, Hexalb Pan Head 3.5 X 8 Zinc	1	EA	NO LONGER AVAILABLE, Not available online / Call for pricing and availability
8	002060-000	CLAMP SPRING	1	EA	
9	001598-000	SWIVEL ARM, COMPLETE W/FILTER K2.5285	1	EA	
10	001602-000	REED SWITCH COMPLETE K2.8250	1	EA	
11	002051-000	SUPPORT ANGLE	1	EA	Not available online / Call for pricing and availability
12	002058-000	GASKET HOSE D4x178	1	EA	NO LONGER AVAILABLE, Not available online / Call for pricing and availability
13	002059-000	Support Bracket for Water Conduit System	1	EA	NO LONGER AVAILABLE, Not available online / Call for pricing and availability
14	002239-000	Screw, Hexalb Pan Head 3.5X25 Zinc	1	EA	NO LONGER AVAILABLE, Not available online / Call for pricing and availability
15	001647-000	WATER CONDUIT SYSTEM, COMP., PRE-ASSY K2.9465	1	EA	



Item	Part No.	Name	Qty	Uom	NOTES
16	001570-000	VIBRATION ABSORBER K2.3741	1	EA	NO LONGER AVAILABLE, Not available online / Call for pricing and availability
17	001633-000	DRAIN PUMP UL-VERSION K2.9405	1	EA	
18	001646-000	BOILER COMPLETE PREFAB. K2.9464	1	EA	
19	002067-000	SILICONE HOSE D6 X 270	1	EA	NO LONGER AVAILABLE, Not available online / Call for pricing and availability
20	001569-000	PRESSING PLATE K2.3740	1	EA	NO LONGER AVAILABLE, Not available online / Call for pricing and availability
21	001568-000	STEAM HOSE - K2.3739	1	EA	
22	001661-000	HEXALB SELF-TAP SCREW A2 4,2x13 - P10.025	1	EA	NO LONGER AVAILABLE, Not available online / Call for pricing and availability
23	001663-000	HEXALB SELF-TAP, SELF-LOC 4.2x9.5 - P10.032	1	EA	NO LONGER AVAILABLE, Not available online / Call for pricing and availability



Appendix A:Pages Index

ACCESSORIES 1 1
ACCESSORIES 2 2
CASING 3
CONTROL PANEL AREA 4
CONVECTION AREA 5
DOOR 6
GENERAL VIEW 7
OVEN INTERIOR 8
WATER CONDUIT SYSTEM 9



Appendix B:Parts Index

000812-000	8	001590-000	6
000813-000	8	001591-000	6
000815-000	5	001592-000	7
000819-000	7	001593-000	3
000820-000	8	001594-000	3
000821-000	8	001595-000	6
000823-000	8	001597-000	5
000824-000	8	001598-000	9
000825-000	8	001599-000	3
000826-000	8	001600-000	4
001533-000	5	001602-000	9
001535-000	5, 8	001603-000	4
001539-000	3	001606-000	8
001540-000	8	001627-000	5
001541-000	5	001628-000	4
001550-000	5	001630-000	3
001553-000	5	001632-000	3
001554-000	3	001633-000	9
001555-000	4	001634-000	5
001556-000	4	001635-000	9
001557-000	4	001636-000	3
001559-000	1	001637-000	4
001561-000	5	001638-000	3
001564-000	5	001641-000	3
001565-000	6	001642-000	3
001567-000	3	001646-000	9
001568-000	9	001647-000	9
001569-000	9	001648-000	6
001570-000	9	001651-000	7
001572-000	8	001654-000	8
001573-000	8	001655-000	5
001576-000	3	001656-000	4
001577-000	3	001657-000	8
001580-000	8	001658-000	8
001581-000	3	001660-000	3
001582-000	3	001661-000	9
001583-000	6	001662-000	3, 5, 8
001584-000	3	001663-000	3, 5, 9
001586-000	6	001665-000	6
001588-000	6	001666-000	3
		001667-000	8



001668-000 3
001669-000 5
001670-000 3
001671-000 3
001672-000 5
001673-000 5
001676-000 1
001680-000 5
001681-000 6
001682-000 4
001685-000 6
001686-000 4
001688-000 6
002039-000 5
002051-000 9
002053-000 3
002055-000 9
002058-000 9
002059-000 9
002060-000 9
002066-000 9
002067-000 9
002069-000 9
002230-000 6
002239-000 9
002240-000 9
002241-000 9
002243-000 9
002288-000 6
002299-000 6