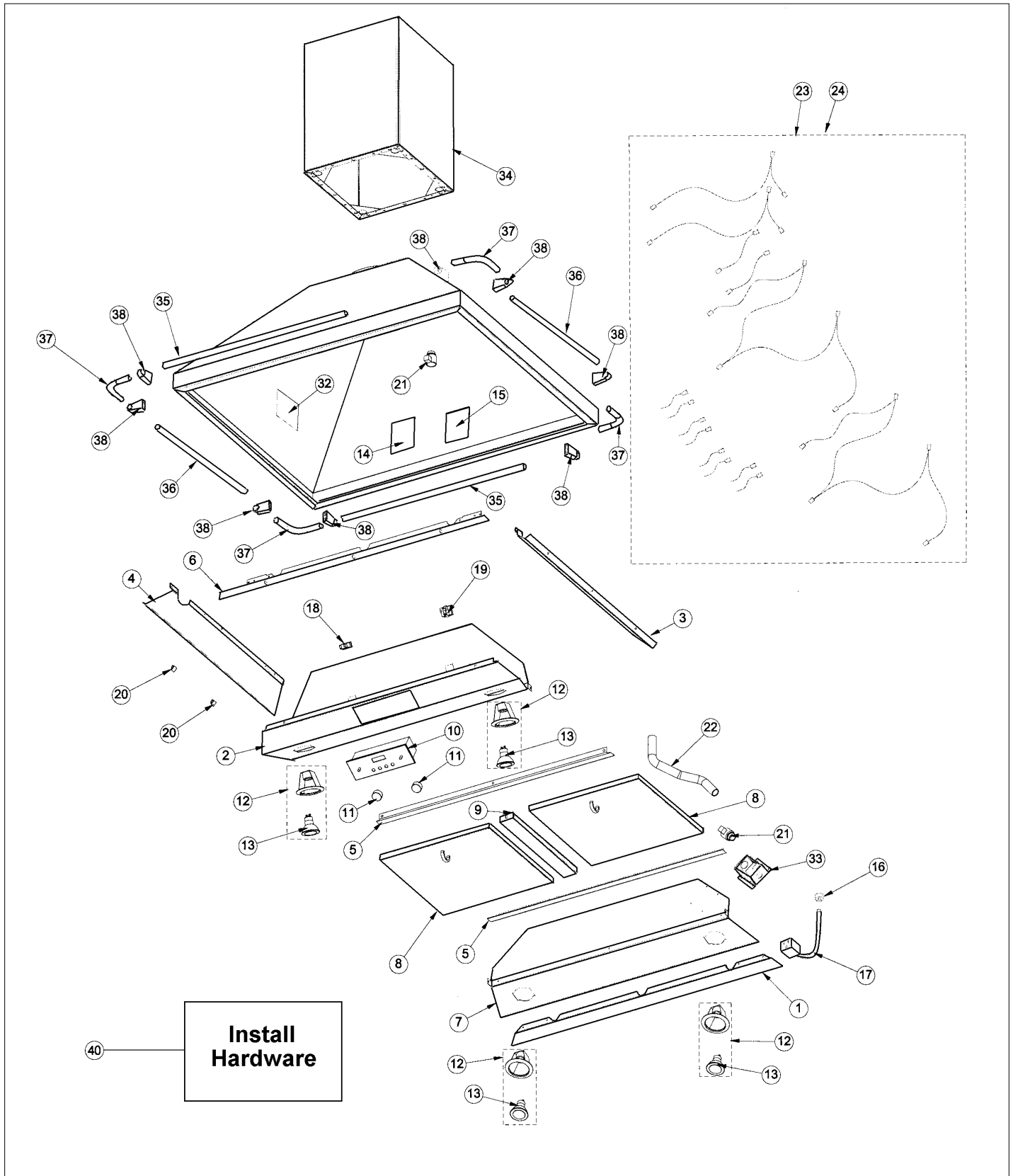


**DCIH5404**

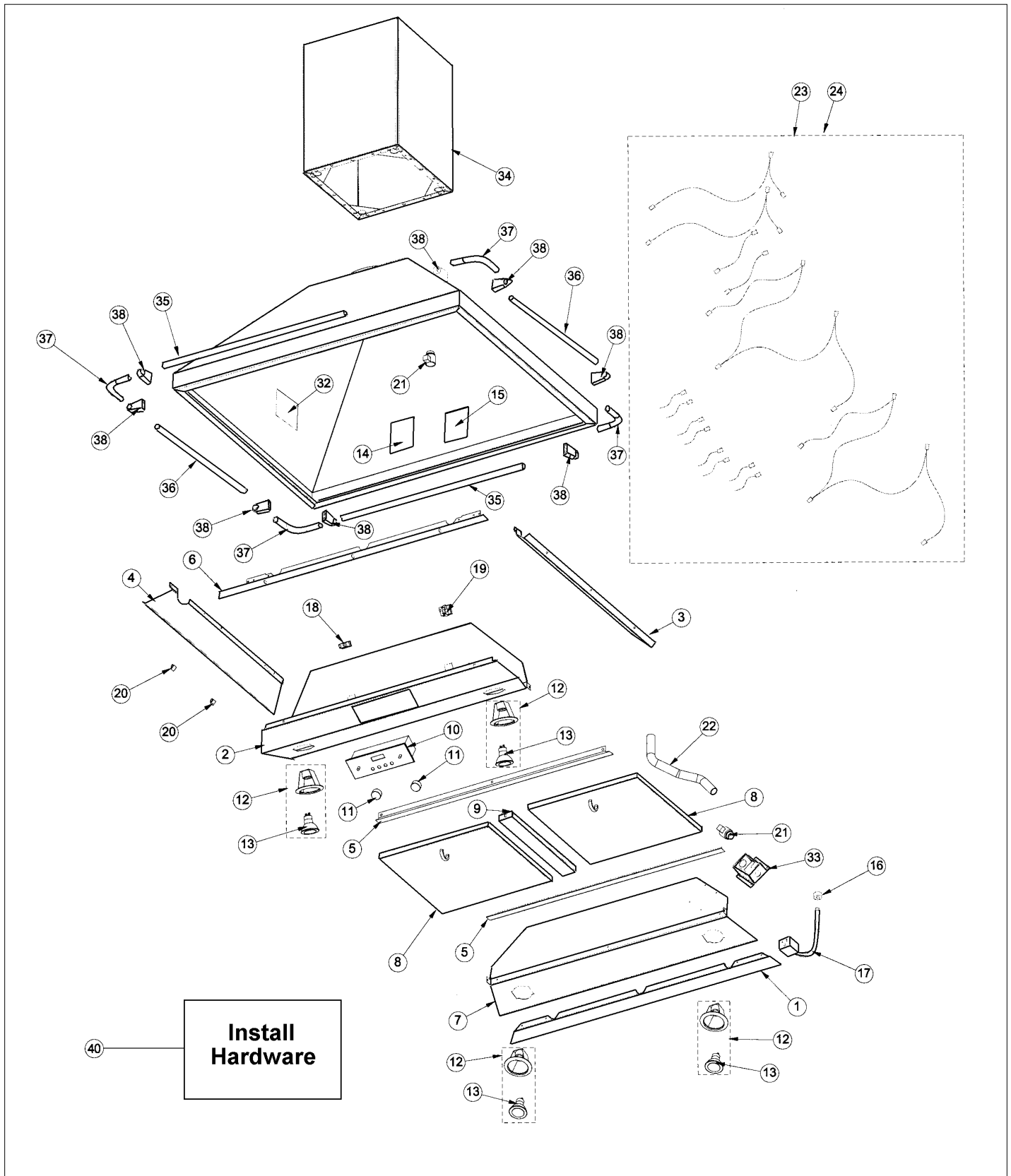
HOOD .....	1
Appendix A:Pages Index .....	A
Appendix B:Parts Index .....	B



HOOD

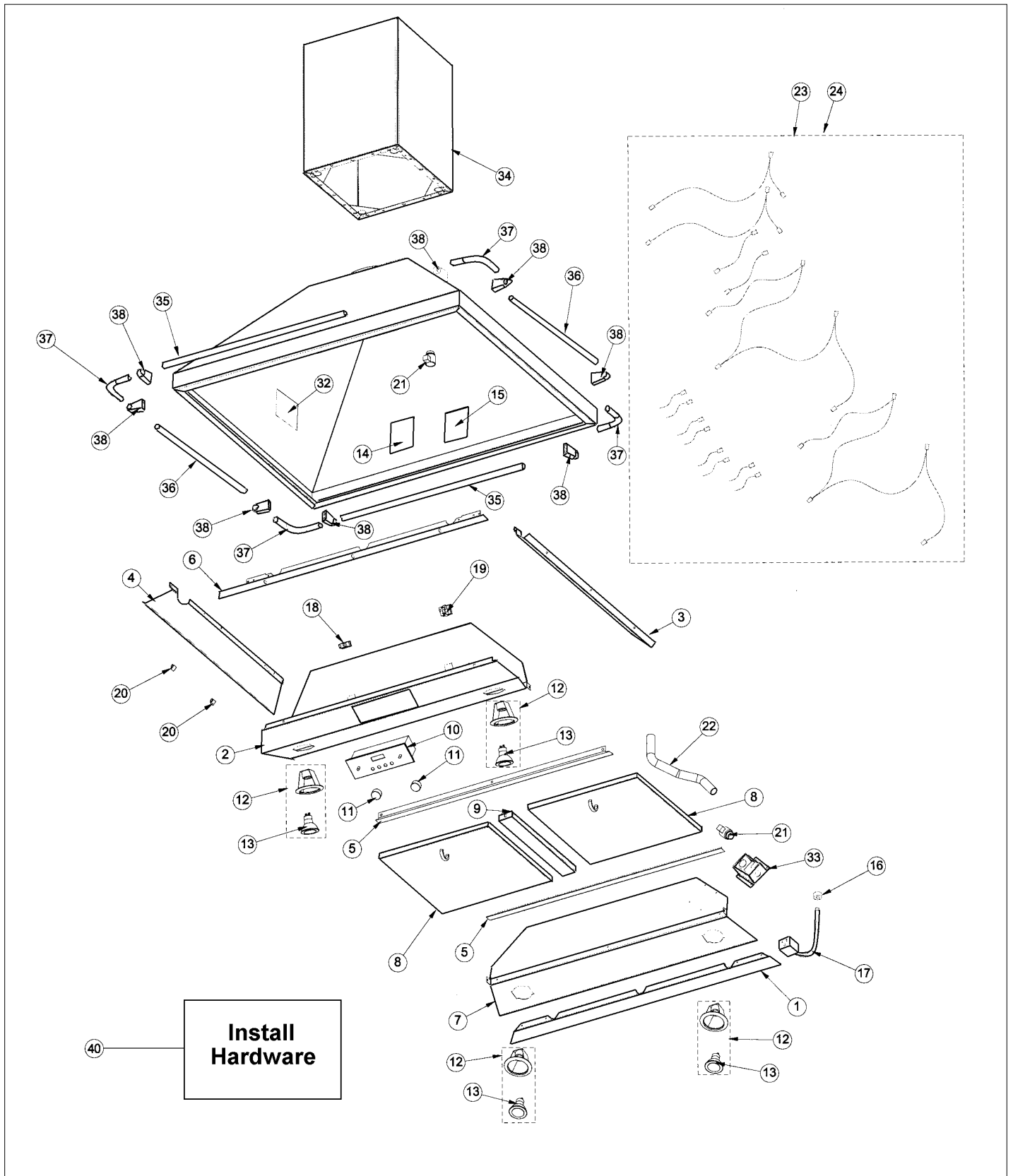


Item	Part No.	Name	Qty	Uom	NOTES
1	B2007321	I/S PANEL FRONT (DCIH5404)	1	EA	NO LONGER AVAILABLE, Not available online / Call for pricing and availability
2	B2007317	CONTROL PANEL FRONT (DCIH5404)	1	EA	NO LONGER AVAILABLE, Not available online / Call for pricing and availability
Not Shown	B2007336	54" FRONT CONTROL PANEL - ULTRALINE	1	EA	Not available online / Call for pricing and availability
3	B2007323	I/S SIDE PANEL - RH	1	EA	NO LONGER AVAILABLE
4	B2007324	I/S SIDE PANEL - LH	1	EA	NO LONGER AVAILABLE
5	B2007320	FILTER SUPT FRONT/REAR (DCIH5404)	1	EA	NO LONGER AVAILABLE, Not available online / Call for pricing and availability
6	B2007321	I/S PANEL FRONT (DCIH5404)	1	EA	NO LONGER AVAILABLE, Not available online / Call for pricing and availability
7	B2007325	CONTROL PANEL REAR (DCIH5404)	1	EA	NO LONGER AVAILABLE, Not available online / Call for pricing and availability
8	029586-000	DCIH FILTER ASM	1	EA	
9	B2007389	FILTER SPACER (DCIH5404) 2.875 X 14.125	1	EA	
10	025084-000	SERVICE CONTROL PANEL/WIRE HARNESS ASSY	1	EA	
11	PA010089	KNOB (DESIGNER SERIES HOOD)	1	EA	
12	PE050064	LIGHT ASSEMBLY	1	EA	
13	PE050081	50 WATT HALOGEN BULB	1	EA	
14	PE020058	RATING LABEL (ADHESIVE)	1	EA	
15	PF030337	HOOD WARNING LABEL	1	EA	
16	PE070204	HEYCO STRAIN RELIEF - 7-P2	1	EA	
17	039680-000	CORD, PWR, SUPPLY, VNT HD	1	EA	
18	PE070196	FEMALE SOCKET (2 PRONG)	1	EA	





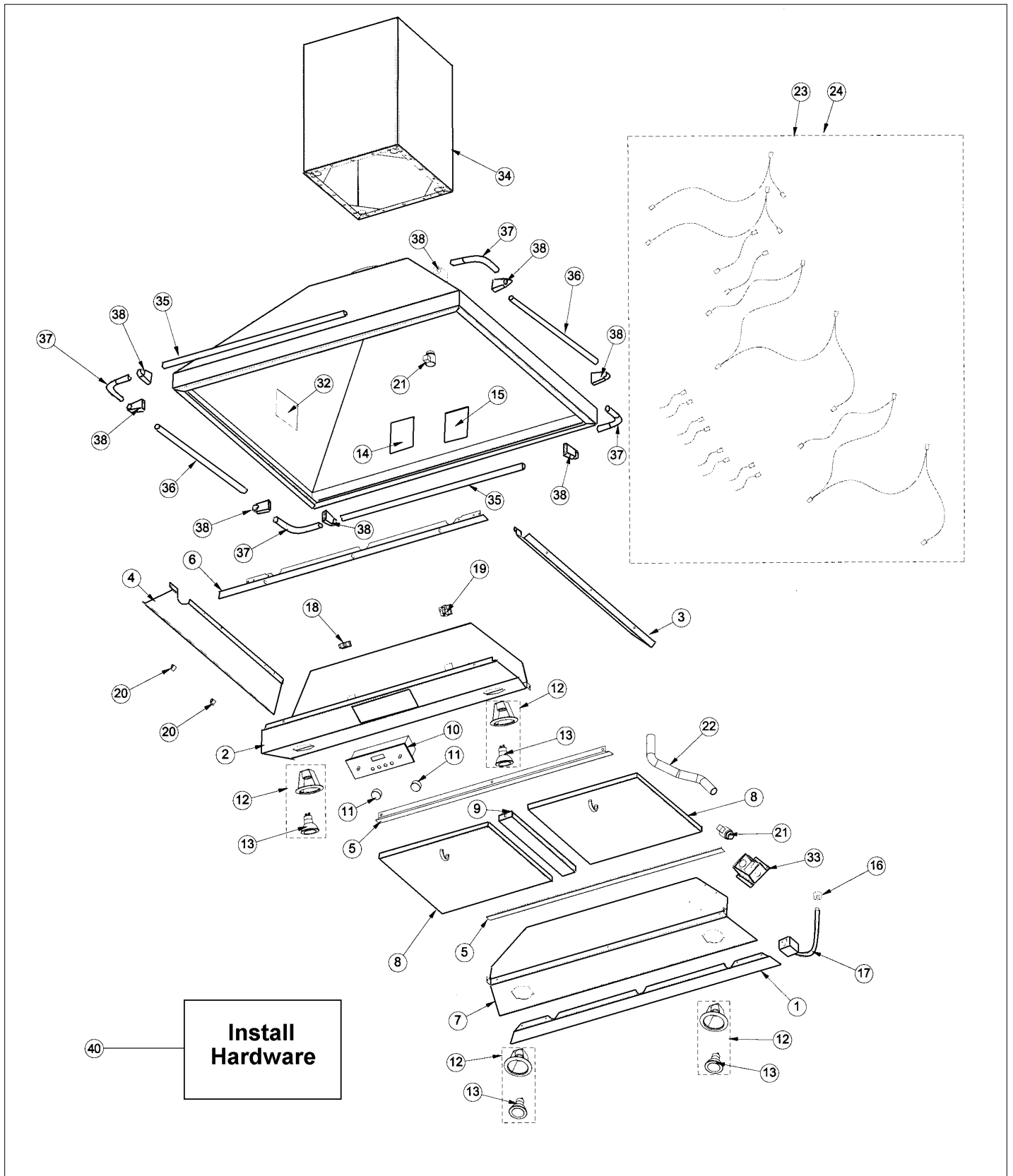
Item	Part No.	Name	Qty	Uom	NOTES
19	PE070197	MALE SOCKET (3 PRONG)	1	EA	
20	PE070357	ADHESIVE WIRE CLIP (DCIH)	1	EA	
21	PE070358	SNAP IN FLEXIBLE CONDUIT CLAMP(DCIH)	1	EA	NO LONGER AVAILABLE, Not available online / Call for pricing and availability
22	PE070359	1/2" FLEXIBLE CONDUIT	1	EA	Not available online / Call for pricing and availability
23	N/A	36" / 42" COMPLETE WIRING KIT	1	EA	
24	PE070387	DCIH54 WIRE HARNESS	1	EA	NO LONGER AVAILABLE
25	PD020010	10 X 3/8 GREEN GROUNDING SCREW	1	EA	
26	PD030010	#10-24 KEPS NUT ZINC PLATED	1	EA	
27	PD020087	10 X 1/2 PAN PH. TEK ZINC	1	EA	
28	PD020100	#8 X 7/16 PHILLIP HD KNIFE SCREW	1	EA	
29	PD030059	TINNERMAN CLIP U-TYPE FASTNER	1	EA	
30	PD020032	SRW-8(A)X3/8"PH.WFR HD 7/16DIA*NICL	1	EA	
31	PC040010	POP RIVET (.063/GR -.125) GAMD42-A	1	EA	
32	PF030468	WIRING LABEL	1	EA	Not available online / Call for pricing and availability
33	A2004678	DCWH ROUGH IN BOX	1	EA	
34	DCCI5408BK	54" DUCT COVER ASSY. - BK (HEIGHT = 16")	1	EA	Not available online / Call for pricing and availability
Not Shown	DCCI5408BT	54" DUCT COVER ASSY. - BT (HEIGHT = 16")	1	EA	Not available online / Call for pricing and availability
Not Shown	DCCI5408GG	54" DUCT COVER ASSY. - GG (HEIGHT = 16")	1	EA	Not available online / Call for pricing and availability







Item	Part No.	Name	Qty	Uom	NOTES
Not Shown	DCCI5408SG	54" DUCT COVER ASSY. - SG (HEIGHT = 16")	1	EA	Not available online / Call for pricing and availability
Not Shown	DCCI5408SS	54" DUCT COVER ASSY. - SS (HEIGHT = 16")	1	EA	
Not Shown	DCCI5408WH	54" DUCT COVER ASSY. - WH (HEIGHT = 16")	1	EA	Not available online / Call for pricing and availability
Not Shown	DCCI5409BK	54" DUCT COVER ASSY. - BK (HEIGHT = 28")	1	EA	Not available online / Call for pricing and availability
Not Shown	DCCI5409BT	54" DUCT COVER ASSY. - BT (HEIGHT = 28")	1	EA	Not available online / Call for pricing and availability
Not Shown	DCCI5409GG	54" DUCT COVER ASSY. - GG (HEIGHT = 28")	1	EA	Not available online / Call for pricing and availability
Not Shown	DCCI5409SG	54" DUCT COVER ASSY. - SG (HEIGHT = 28")	1	EA	Not available online / Call for pricing and availability
Not Shown	DCCI5409SS	54" DUCT COVER ASSY. - SS (HEIGHT = 28")	1	EA	Not available online / Call for pricing and availability
Not Shown	DCCI5409WH	54" DUCT COVER ASSY. - WH (HEIGHT = 28")	1	EA	
Not Shown	DCCI5410BK	54" DUCT COVER ASSY. - BK (HEIGHT = 40")	1	EA	Not available online / Call for pricing and availability
Not Shown	DCCI5410BT	54" DUCT COVER ASSY. - BT (HEIGHT = 40")	1	EA	Not available online / Call for pricing and availability
Not Shown	DCCI5410GG	54" DUCT COVER ASSY. - GG (HEIGHT = 40")	1	EA	Not available online / Call for pricing and availability
Not Shown	DCCI5410SG	54" DUCT COVER ASSY. - SG (HEIGHT = 40")	1	EA	Not available online / Call for pricing and availability
Not Shown	DCCI5410SS	54" DUCT COVER ASSY. - SS (HEIGHT = 40")	1	EA	



Item	Part No.	Name	Qty	Uom	NOTES
Not Shown	DCCI5410WH	54" DUCT COVER ASSY. - WH (HEIGHT = 40")	1	EA	Not available online / Call for pricing and availability
35	PE030122	54" FRONT/REAR ACCESS RAIL *SS*	1	EA	NO LONGER AVAILABLE
Not Shown	F1003871	54" ACCESSORY RAIL - BR	1	EA	Not available online / Call for pricing and availability
36	PE030120	ACCESSORY RAIL - SS - NLA	1	EA	
Not Shown	F1003869	30" ACCESSORY RAIL - BR	1	EA	Not available online / Call for pricing and availability
37	PE030057	90 DEG.ELBOW BR REPL PV100011BR	1	EA	
Not Shown	PE030056	90 DEG.ELBOWSS REPL PV100011SS	1	EA	
38	PE030053	MIDDLE RAIL SUPPORT - BR	1	EA	
Not Shown	PE030052	SUPPORT TUBE, HOLE THROUGH	1	EA	
39	PE030077	BR 'S' HOOKS REPL PV100012BR	1	EA	
Not Shown	PE030076	CHROME "S" HOOKS REPL PV100012SS	1	EA	
40	PD020009	10 X 1 PH. HD. PAN HD. SMS	1	EA	
Not Shown	NOTE	Installation Hardware - Qty. 6		EA	
Not Shown	PD020002	10 X 1/2 PH.TR.HD.SMS.	1	EA	
Not Shown	NOTE	Installation Hardware - Qty. 6		EA	
Not Shown	PD010002	10-24 X 3/8 HEX W/HD M.S.	1	EA	
Not Shown	NOTE	Installation Hardware - Qty. 4		EA	
Not Shown	PD030010	#10-24 KEPS NUT ZINC PLATED	1	EA	
Not Shown	NOTE	Installation Hardware - Qty. 4		EA	
Not Shown	PD020010	10 X 3/8 GREEN GROUNDING SCREW	1	EA	
Not Shown	NOTE	INSTALLATION HARDWARE - QTY. 1		EA	



Appendix A:Pages Index

HOOD ..... 1



Appendix B:Parts Index

025084-000	1	PD020100	1
029586-000	1	PD030010	1, 1
039680-000	1	PD030059	1
A2004678	1	PE020058	1
B2007317	1	PE030052	1
B2007320	1	PE030053	1
B2007321	1, 1	PE030056	1
B2007323	1	PE030057	1
B2007324	1	PE030076	1
B2007325	1	PE030077	1
B2007336	1	PE030120	1
B2007389	1	PE030122	1
DCCI5408BK	1	PE050064	1
DCCI5408BT	1	PE050081	1
DCCI5408GG	1	PE070196	1
DCCI5408SG	1	PE070197	1
DCCI5408SS	1	PE070204	1
DCCI5408WH	1	PE070357	1
DCCI5409BK	1	PE070358	1
DCCI5409BT	1	PE070359	1
DCCI5409GG	1	PE070387	1
DCCI5409SG	1	PF030337	1
DCCI5409SS	1	PF030468	1
DCCI5409WH	1		
DCCI5410BK	1		
DCCI5410BT	1		
DCCI5410GG	1		
DCCI5410SG	1		
DCCI5410SS	1		
DCCI5410WH	1		
F1003869	1		
F1003871	1		
PA010089	1		
PC040010	1		
PD010002	1		
PD020002	1		
PD020009	1		
PD020010	1, 1		
PD020032	1		
PD020087	1		