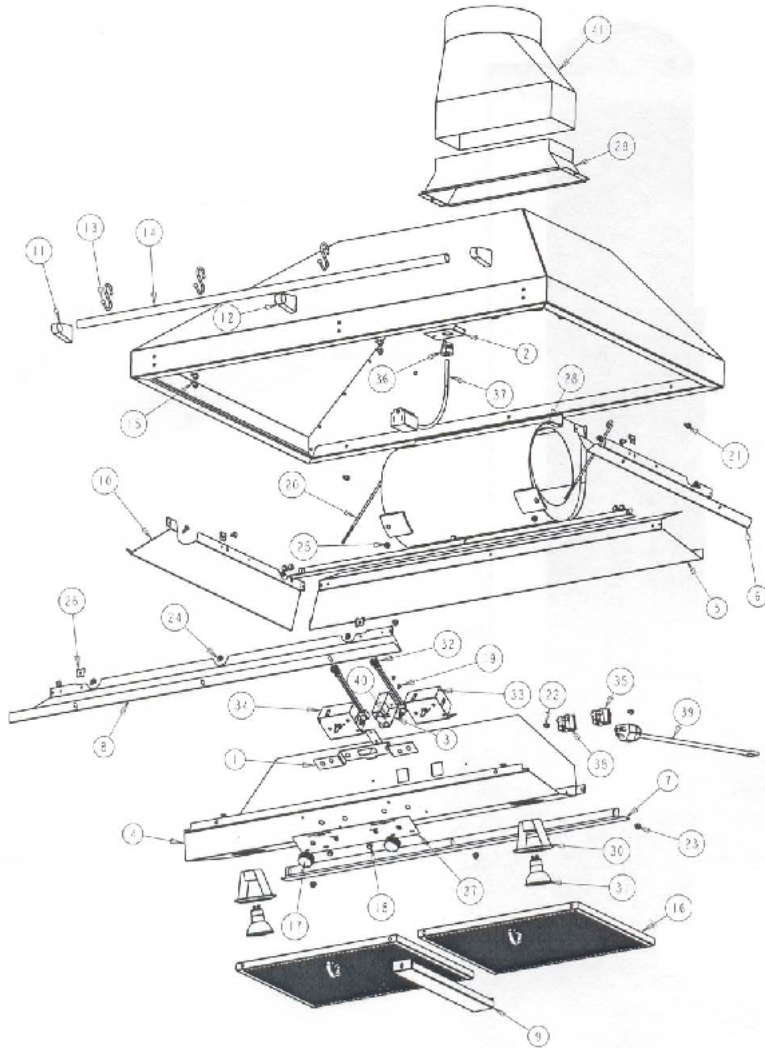


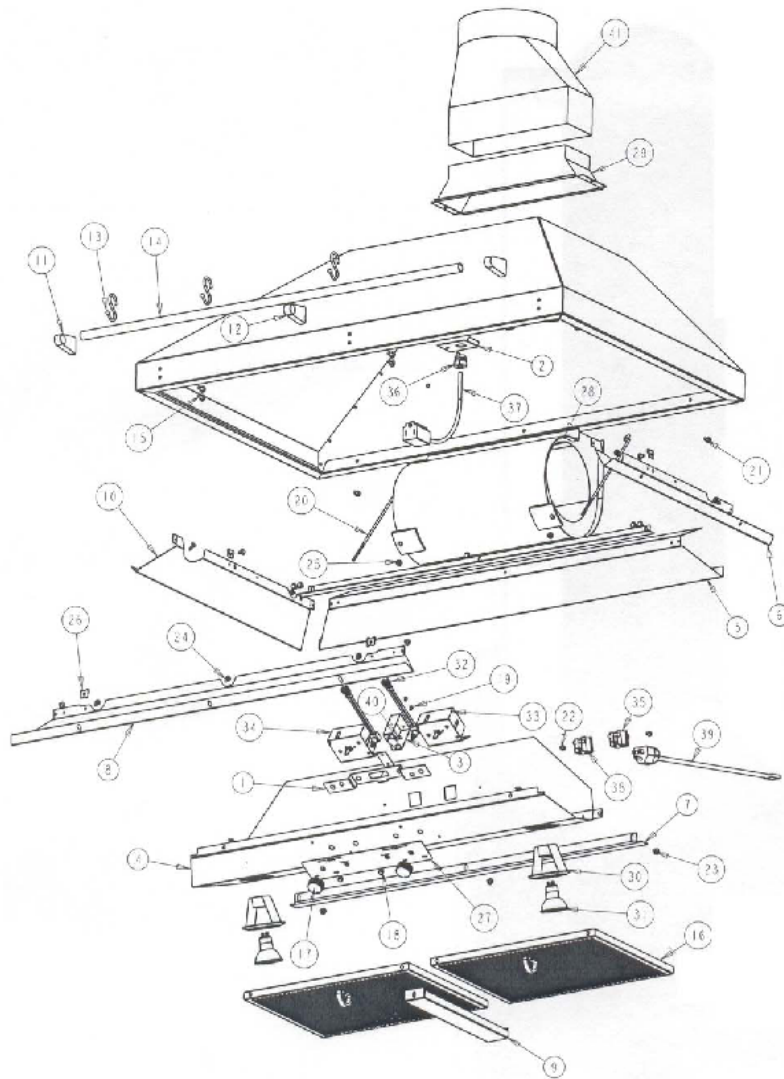
DCH3642

UNIT COMPONENTS	1
Appendix A:Pages Index	A
Appendix B:Parts Index	B

UNIT COMPONENTS



Item	Part No.	Name	Qty	Uom	NOTES
1	A20010270	LT/FAN SWITCH BRKT (DCH30/36)	1	EA	
2	A2003826	ROUGH IN BOX COVER (VWH30/3610)	1	EA	
3	A2103810	THERMODISC BRACKET VWH/VIH	1	EA	
4	B20010260	CONTROL PANEL (DCH3642)	1	EA	NO LONGER AVAILABLE, Not available online / Call for pricing and availability
5	B2004665	36" I/S REAR PANEL	1	EA	NO LONGER AVAILABLE
6	B2004667	I/S SIDE PANEL RH (DTWS/L/N DSWB)	1	EA	NO LONGER AVAILABLE
7	B2004673	FILTER SUPT. FRONT/REAR	1	EA	
8	B2004675	36" FRONT I/S PANEL	1	EA	NO LONGER AVAILABLE
9	002554-000	DESIGNER FILTER SPACER 1.75" X 11.402" (DTWS36/DTWN42/DTWL36/DC H36)	1	EA	
10	B2005027	I/S SIDE PANEL LH (DTWS/L/N DSWB)	1	EA	Not available online / Call for pricing and availability
11	PE030054	END CAP - SS	1	EA	
Not Shown	PE030055	END CAP - BR	1	EA	
12	PE030052	SUPPORT TUBE, HOLE THROUGH	1	EA	
Not Shown	PE030053	MIDDLE RAIL SUPPORT - BR	1	EA	
13	PE030076	CHROME "S" HOOKS REPL PV100012SS	1	EA	
Not Shown	PE030077	BR 'S' HOOKS REPL PV100012BR	1	EA	
14	PE030058	36" ACCESSORY RAIL SS	1	EA	
Not Shown	PE030059	36" BRASS ACCESSORY RAIL	1	EA	
15	PD010003	10-24 X 1/2 PH.TR.HD.SERD.M.S.	1	EA	
16	G31010268	FILTER ASSEMBLY (DESIGNER) 13.848 X 10.375	1	EA	



Item	Part No.	Name	Qty	Uom	NOTES
17	PA010089	KNOB (DESIGNER SERIES HOOD)	1	EA	
18	PA010093	DESIGNER OVEN LT SWITCH KNOB	1	EA	
19	PC040010	POP RIVET (.063/GR -.125) GAMD42-A	1	EA	
20	PD010035	BLOWER MTG ROD #10-24 99420464	1	EA	
21	PD020004	10X3/8PH.HD.TYPE 25 REPL PD040125	1	EA	
22	PD020010	10 X 3/8 GREEN GROUNDING SCREW	1	EA	
23	PD020032	SRW-8(A)X3/8"PH.WFR HD 7/16DIA*NICL	1	EA	
24	PD020087	10 X 1/2 PAN PH. TEK ZINC	1	EA	
25	PD030010	#10-24 KEPS NUT ZINC PLATED	1	EA	
26	PD030059	TINNERMAN CLIP U-TYPE FASTNER	1	EA	
27	PE040232	CONTROL PANEL W/ GRAPHICS (DCH30/36)	1	EA	
28	PE050042	BLOWER INT 460 CFM 97007542	1	EA	
29	PE050043	DAMPER/TRANSITION 460 CFM 97006078	1	EA	
30	PE050064	LIGHT ASSEMBLY	1	EA	
31	PE050081	50 WATT HALOGEN BULB	1	EA	
32	PE050168	DCH FAN/LIGHT SWITCH (DCH30/36)	1	EA	
33	062057-603	CNTRL, PRO FAN, 120VAC	1	EA	
34	062057-604	CNTRL, PRO LIGHT, 120VAC	1	EA	
35	PE070197	MALE SOCKET (3 PRONG)	1	EA	
36	PE070204	HEYCO STRAIN RELIEF - 7-P2	1	EA	
37	039680-000	CORD, PWR, SUPPLY, VNT HD	1	EA	
38	PE070541	3-PRONG FEMALE SOCKET	1	EA	
39	PE070542	3-PRONG MALE CORD W/AMP CON	1	EA	
40	PJ030014	HEAT SENSOR (N.O.) 160 DEG.	1	EA	
41	PM010045	3 1/4" X 10" RECT. TO 7" DIA(TRANS)	1	EA	



Appendix A:Pages Index

UNIT COMPONENTS 1



Appendix B:Parts Index

002554-000	1	PE070204	1
039680-000	1	PE070541	1
062057-603	1	PE070542	1
062057-604	1	PJ030014	1
A20010270	1	PM010045	1
A2003826	1		
A2103810	1		
B20010260	1		
B2004665	1		
B2004667	1		
B2004673	1		
B2004675	1		
B2005027	1		
G31010268	1		
PA010089	1		
PA010093	1		
PC040010	1		
PD010003	1		
PD010035	1		
PD020004	1		
PD020010	1		
PD020032	1		
PD020087	1		
PD030010	1		
PD030059	1		
PE030052	1		
PE030053	1		
PE030054	1		
PE030055	1		
PE030058	1		
PE030059	1		
PE030076	1		
PE030077	1		
PE040232	1		
PE050042	1		
PE050043	1		
PE050064	1		
PE050081	1		
PE050168	1		
PE070197	1		