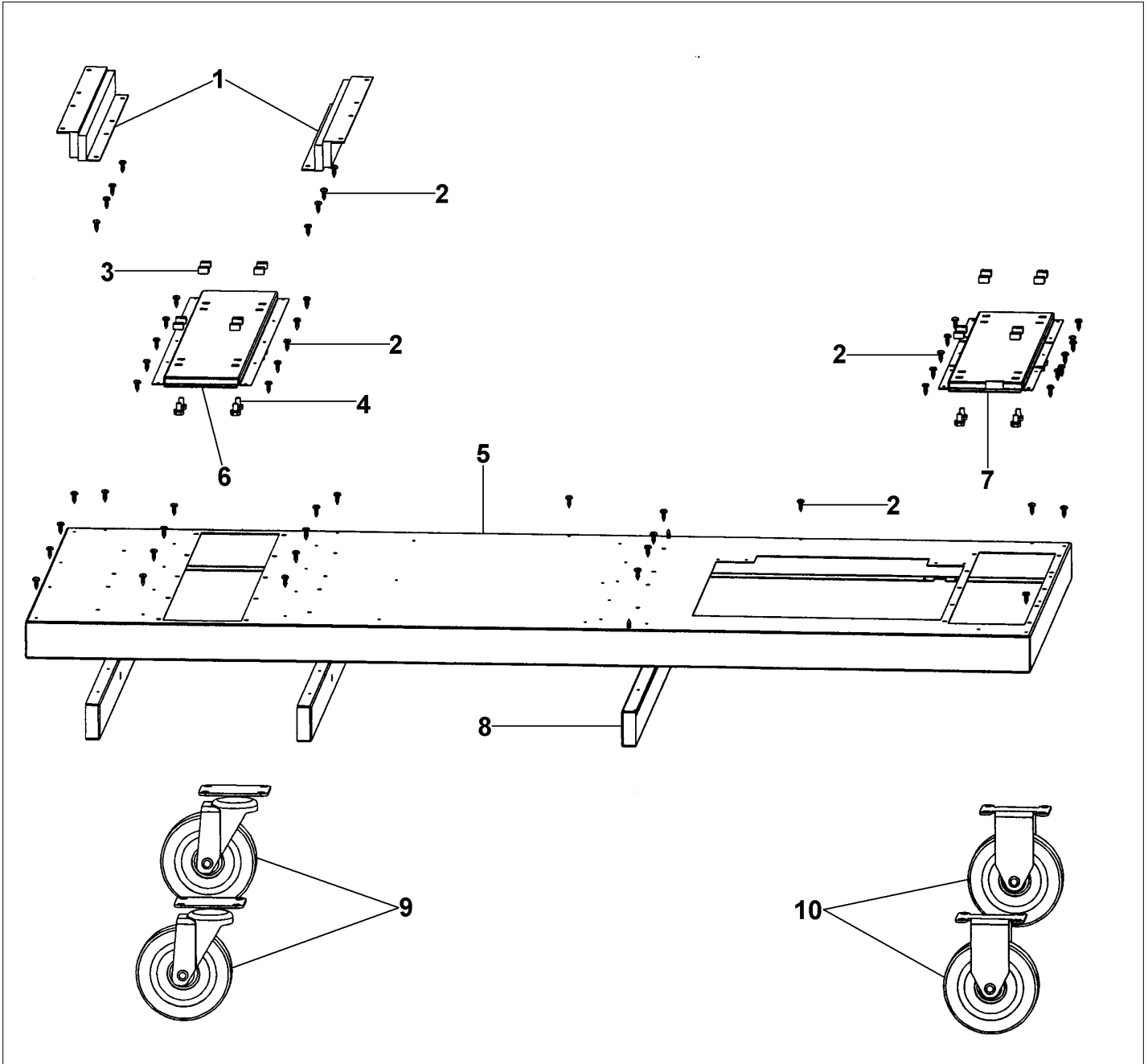


BQC053T1

CART BOTTOM ASSY	1
CONTROL AND VENT AREA ASSY	2
LOWER OVEN ASSY	3
LP DOOR AREA ASSY	4
LP TANK COMPARTMENT ASSY	5
OVEN CAVITY ASSY	6
OVEN DOOR ASSY	7
REAR CART AND GAS FLOW ASSY	8
SIDE SHELF ASSY	9
STORAGE DRAWER AREA ASSY	10
UPPER CART ASSY	11
UPPER OVEN ASSY	12
Appendix A:Pages Index	A
Appendix B:Parts Index	B

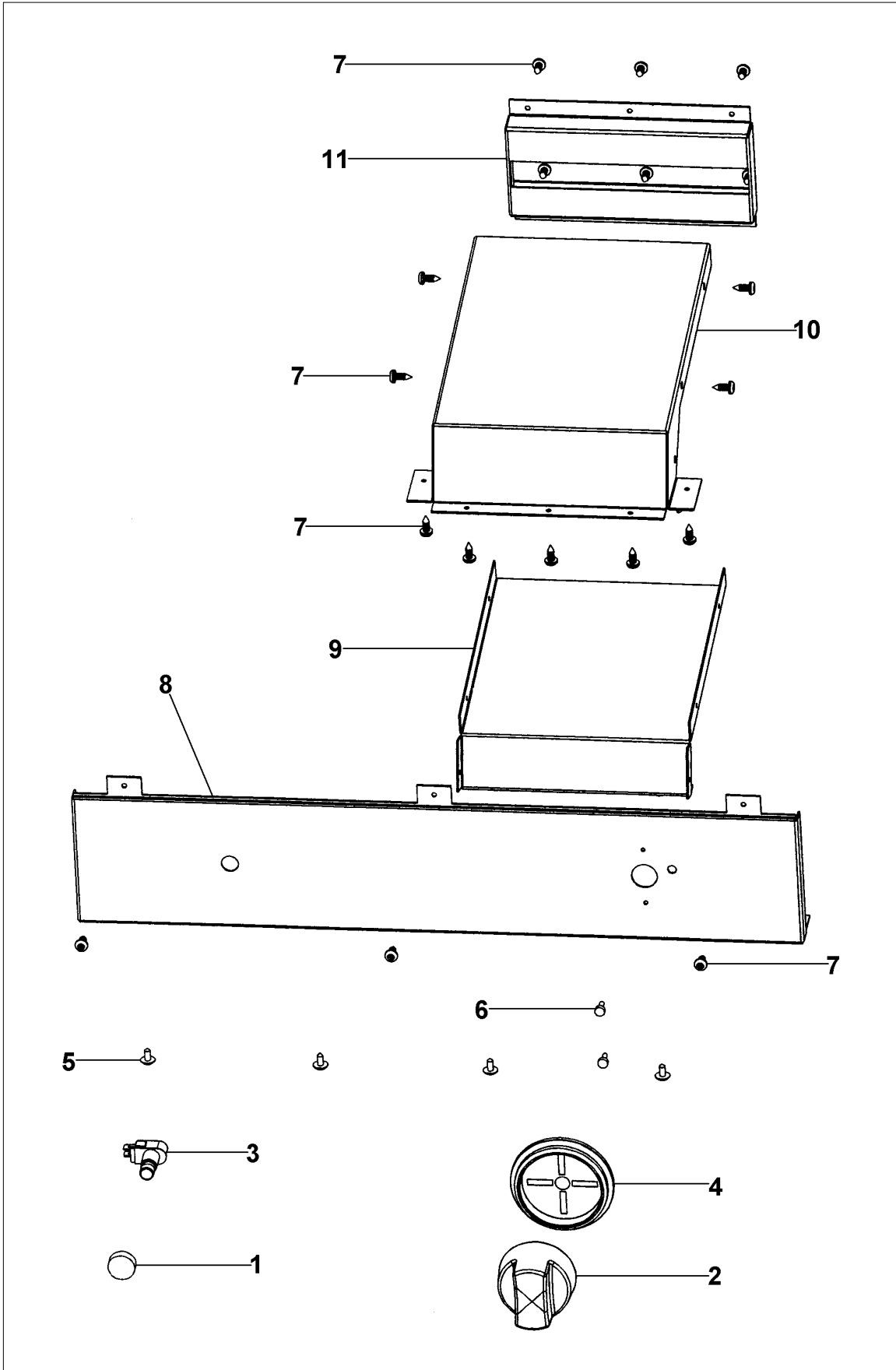
CART BOTTOM ASSY





Item	Part No.	Name	Qty	Uom	NOTES
1	PK000018	TANK DRAWER SLIDE (RH OR LH) BBQ GRILL	1	EA	
2	PD020055	' #10 X 1/2" PAN PHIL. TEK.*SS*	1	EA	
3	PD030043	1/4-20 CAGE NUT SS	1	EA	
4	PD010019	BLT-1/4-20X3/8"HEX WASHER SERATED	1	EA	
5	B30010804	CART BOTTOM	1	EA	
6	B2007920	CASTER BRACE	1	EA	
7	B20010826	FIXED CASTER BRACE	1	EA	
8	B20013825	CART BOTTOM BRACE RH (BQC41/53)	1	EA	
9	PC030020	SWIVEL CASTER (VGBQ) (CH#C21-1051)	1	EA	
10	PC030030	RIGID CASTER	1	EA	

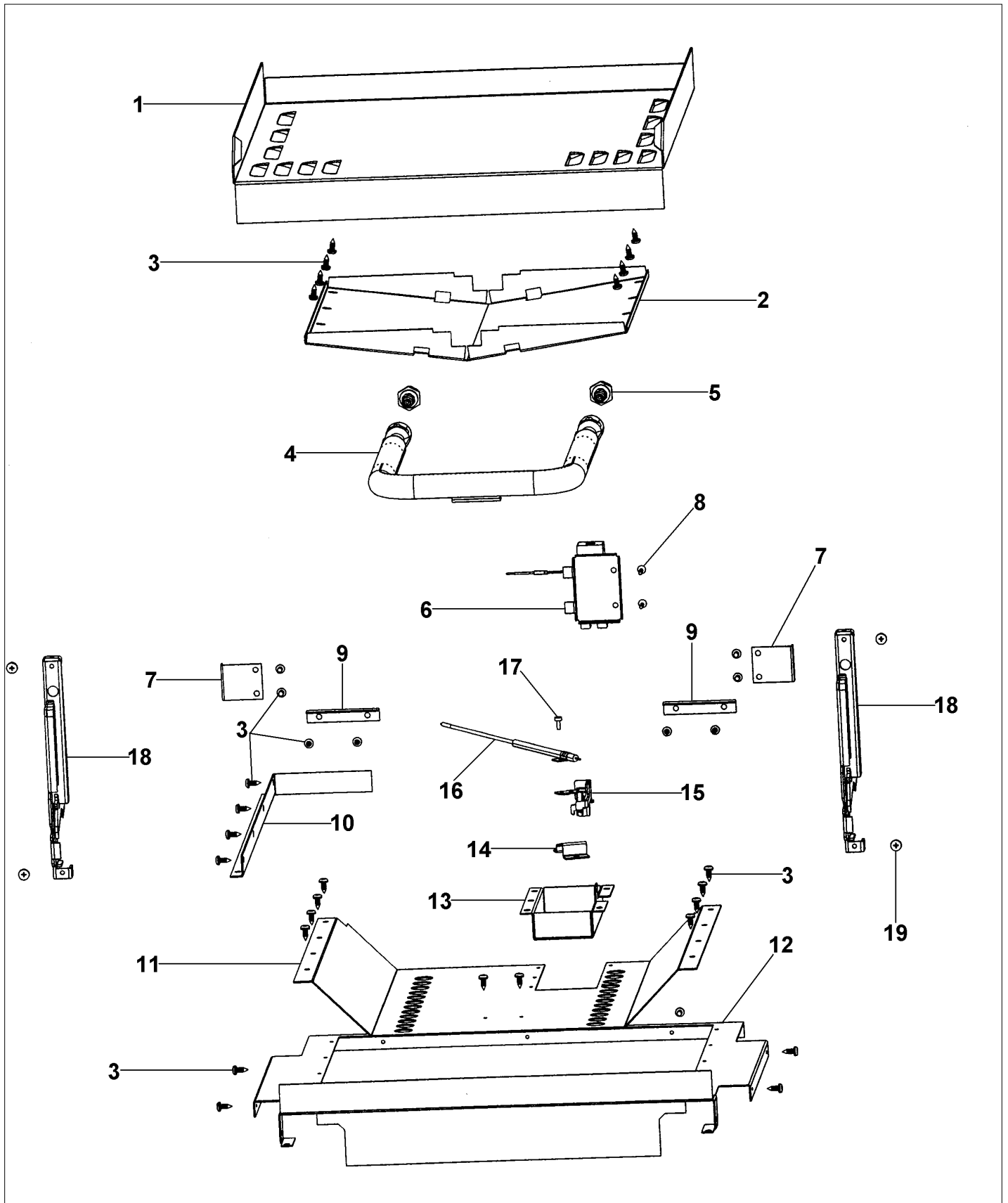
CONTROL AND VENT AREA ASSY





Item	Part No.	Name	Qty	Uom	NOTES
1	PB010163	OVEN LIGHT SWITCH KNOB *BK* (VESO/D	1	EA	
2	PA010155	THERMOSTAT KNOB	1	EA	
3	PE050063	SPARKER SWITCH (PHASE 2)	1	EA	
4	PB0101208	BEZEL - SS	1	EA	Not available online / Call for pricing and availability
Not Shown	PB010209	Bezel - BR	1	EA	
5	PD020032	SRW-8(A)X3/8"PH.WFR HD 7/16DIA*NICL	1	EA	
6	PD020067	' #6 X 3/8" PAN PHIL. TEK *SS*	1	EA	
7	PD020055	' #10 X 1/2" PAN PHIL. TEK.*SS*	1	EA	
8	B92010802	OVEN CONTROL PANEL	1	EA	NO LONGER AVAILABLE
9	B20010838	OVEN VENT BOTTOM	1	EA	NO LONGER AVAILABLE, Not available online / Call for pricing and availability
10	B30010837	OVEN VENT TOP	1	EA	NO LONGER AVAILABLE, Not available online / Call for pricing and availability
11	G30010840	VENT BOX ASSY	1	EA	NO LONGER AVAILABLE, Not available online / Call for pricing and availability

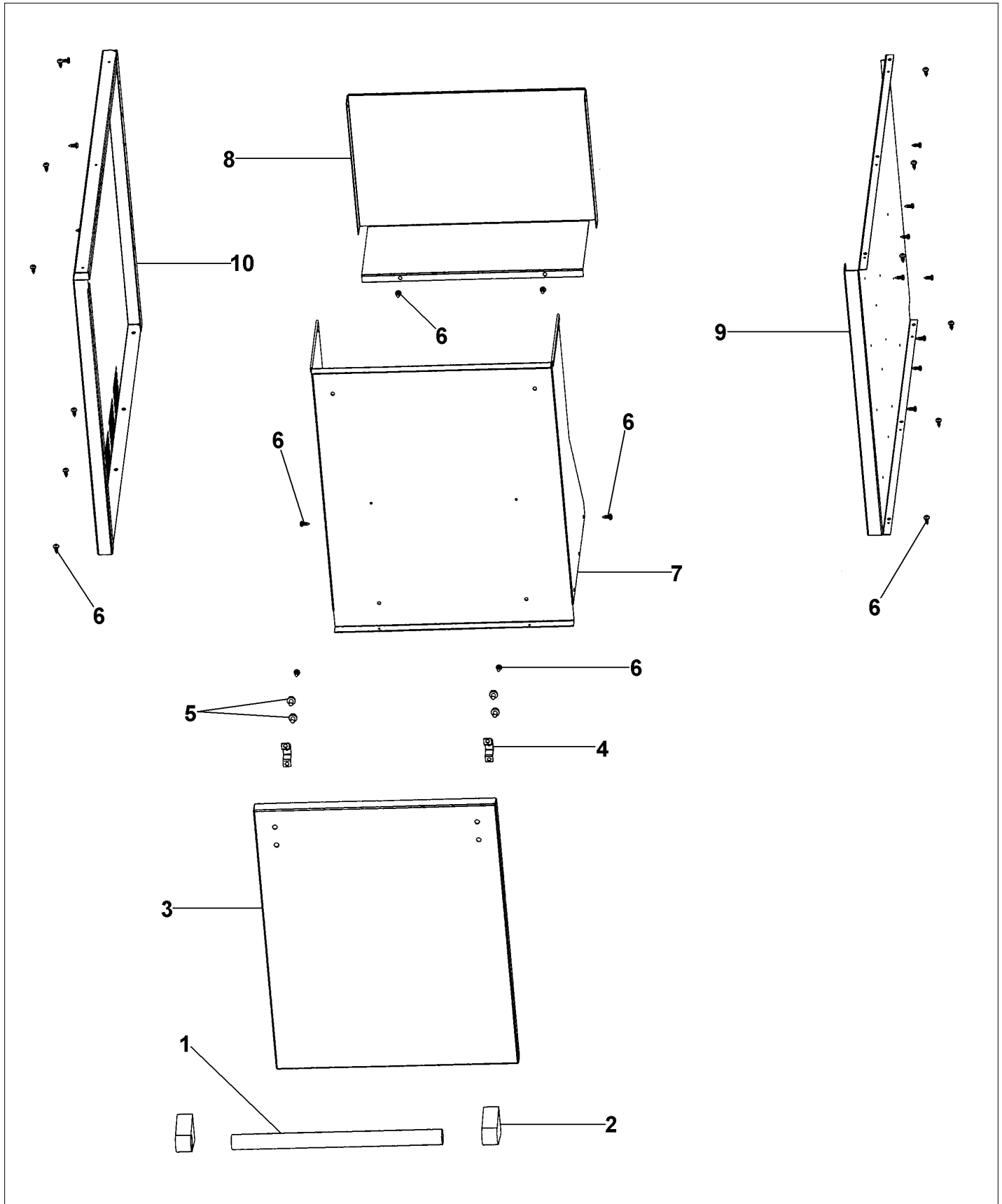
LOWER OVEN ASSY





Item	Part No.	Name	Qty	Uom	NOTES
1	G9107670	OVEN BOTTOM ASSY., VGIC245 (DOESN'T INCLUDE HEAT SHIELD, MUST ORDER HEAT SHIELD SEPARATELY)	1	EA	
2	B20010849	BOTTOM PAN HEAT SHIELD	1	EA	NO LONGER AVAILABLE
3	PD020055	' #10 X 1/2" PAN PHIL. TEK.*SS*	1	EA	
4	PB050076	8" DUEL INJECTION BURNER	1	EA	
5	PB040244	BULK HEAD ORIFICE FITTING	1	EA	
6	PB010266	SAFETY VALVE - NLA	1	EA	
7	B20010824	REAR SUPPORT	1	EA	NO LONGER AVAILABLE, Not available online / Call for pricing and availability
8	PD020057	' #10 X 1" FLAT HD. TEK.*SS*	1	EA	
9	A2000803	OVEN BTM SUPT - 36" B-IN	1	EA	
10	B20010827	OVEN MOUNTING BRACKET	1	EA	NO LONGER AVAILABLE, Not available online / Call for pricing and availability
11	B20010803	OVEN BOTTOM	1	EA	
12	B20010809	BOTTOM AIR PLATE	1	EA	NO LONGER AVAILABLE, Not available online / Call for pricing and availability
13	B20014411	PILOT BRACKET	1	EA	
14	B20001812	PILOT BRACKET	1	EA	Not available online / Call for pricing and availability
15	PA020044	PILOT ASSY	1	EA	
16	PB040241	IGNITOR	1	EA	
17	PD020067	' #6 X 3/8" PAN PHIL. TEK *SS*	1	EA	
18	PC020008	HINGE ASSY (RED)	1	EA	
19	PD020056	' #10-24 X 1/2" PH.TR. M.S. *SS*	1	EA	

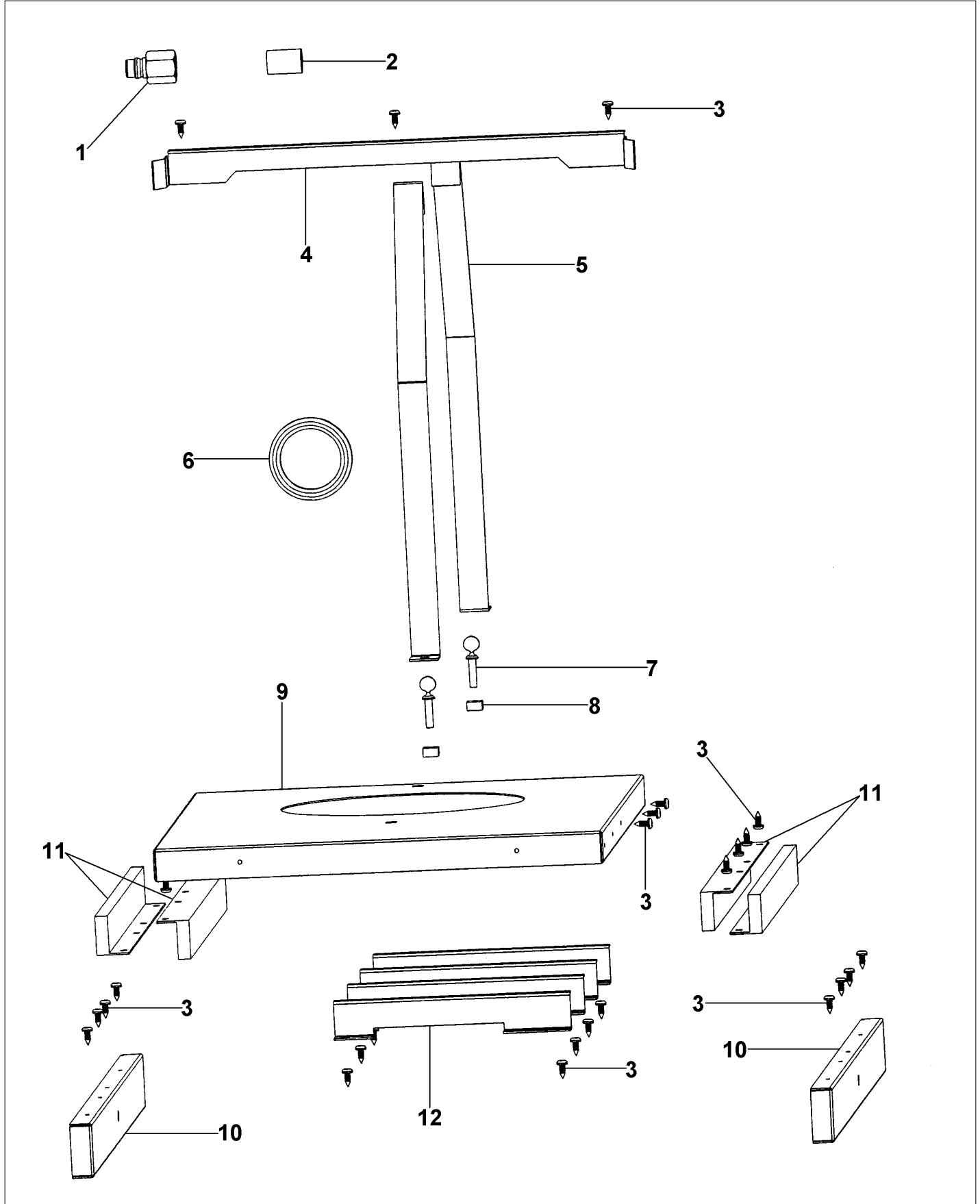
LP DOOR AREA ASSY





Item	Part No.	Name	Qty	Uom	NOTES
1	PE030135	DOOR HANDLE	1	EA	
Not Shown	PE030135PVD	DOOR HANDLE PVD	1	EA	NO LONGER AVAILABLE
2	000268-000	HANDLE ENDCAP	1	EA	
Not Shown	PE030001PVD	END CAP DOOR HANDLE *BR	1	EA	
3	B20010800	LP DOOR O/S PANEL	1	EA	
4	B2005386	CART HANDLE SPACER	1	EA	NO LONGER AVAILABLE
5	PD010019	BLT-1/4-20X3/8"HEX WASHER SERATED	1	EA	
6	PD020055	' #10 X 1/2" PAN PHIL. TEK.*SS*	1	EA	
7	B20010833	LP DRAWER DOOR BACK	1	EA	NO LONGER AVAILABLE, Not available online / Call for pricing and availability
8	B20010834	LP DRAWER STORAGE	1	EA	NO LONGER AVAILABLE, Not available online / Call for pricing and availability
9	B20010810	VCQS 41 INNER CART WALL	1	EA	NO LONGER AVAILABLE, Not available online / Call for pricing and availability
10	B2005361	LOWER CART SIDE LH	1	EA	

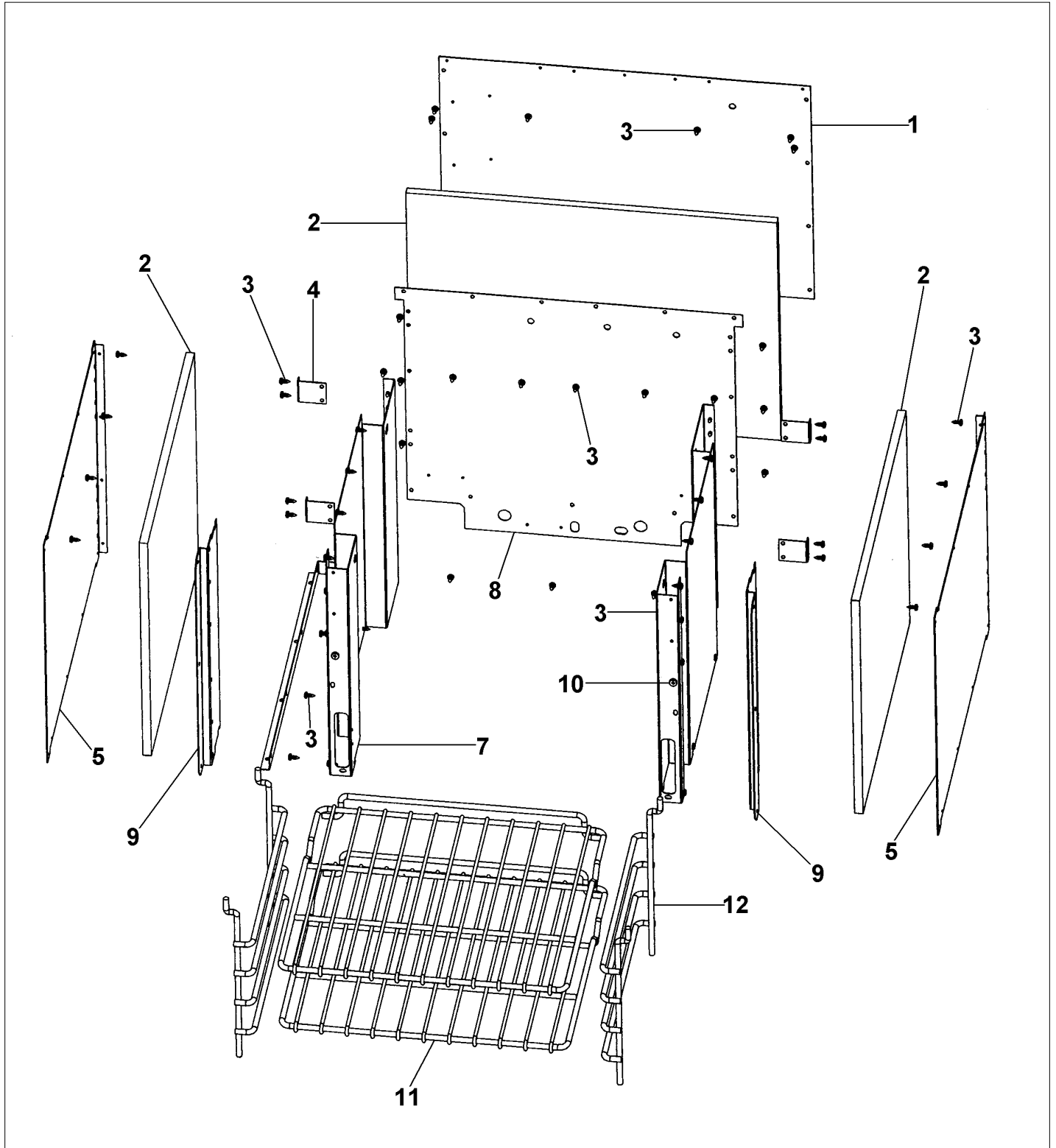
LP TANK COMPARTMENT ASSY





Item	Part No.	Name	Qty	Uom	NOTES
1	023653-000	Nipple-Coupler Assy	1	EA	
2	PB040046	1/2" CLOSE NIPPLE	1	EA	
3	PD020055	' #10 X 1/2" PAN PHIL. TEK.*SS*	1	EA	
4	B20010813	LP DRAWER GUIDE	1	EA	
5	B2004202	L.P. TANK STRAP (VGBQ)	1	EA	
6	PD040052	SIDE BURNER GROMMET	1	EA	
7	PD020070	1/4 X 20 X 1 SHOULDER THUMB SCREW	1	EA	
8	PD030050	10-24 CAGE NUT *SS*	1	EA	
9	B20010825	PHASE II TANK DRAWER	1	EA	Not available online / Call for pricing and availability
10	B20013825	CART BOTTOM BRACE RH (BQC41/53)	1	EA	
11	PK000018	TANK DRAWER SLIDE (RH OR LH) BBQ GRILL	1	EA	
12	B20013826	INNER BRACE (BQC41/53)	1	EA	

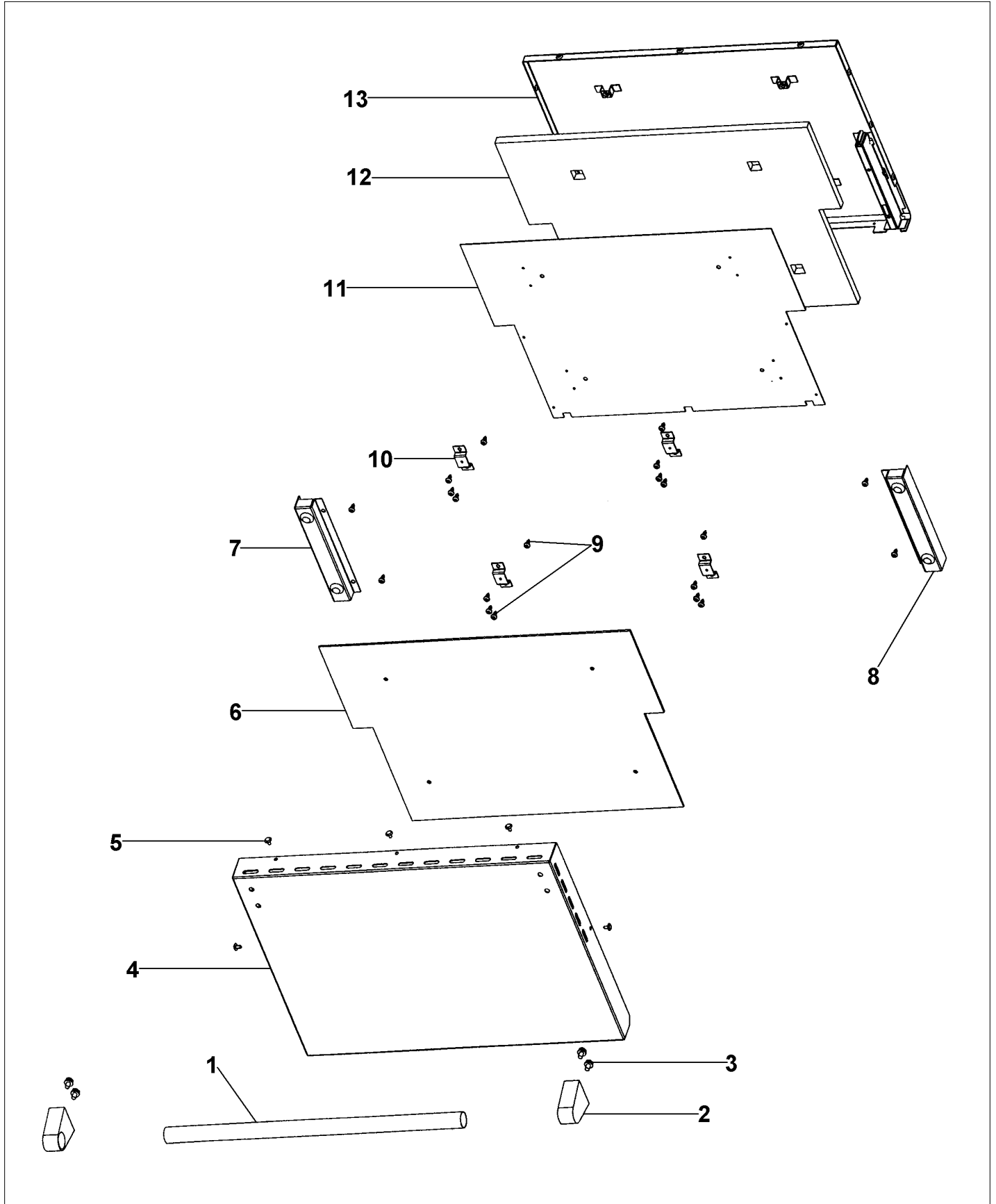
OVEN CAVITY ASSY





Item	Part No.	Name	Qty	Uom	NOTES
1	B20010822	BACK INSULATION RETAINER	1	EA	NO LONGER AVAILABLE, Not available online / Call for pricing and availability
2	PB070145	SUPERWOOL 5" X 24" X 3'	1	EA	
3	PD020055	' #10 X 1/2" PAN PHIL. TEK.*SS*	1	EA	
4	B20010824	REAR SUPPORT	1	EA	NO LONGER AVAILABLE, Not available online / Call for pricing and availability
5	B20010821	SIDE INSULATION RETAINER	1	EA	NO LONGER AVAILABLE, Not available online / Call for pricing and availability
6	E91010805	OVEN SIDE - RH	1	EA	NO LONGER AVAILABLE, Not available online / Call for pricing and availability
7	E91010806	OVEN SIDE LH	1	EA	NO LONGER AVAILABLE, Not available online / Call for pricing and availability
8	E91010808	OVEN BACK	1	EA	NO LONGER AVAILABLE, Not available online / Call for pricing and availability
9	E91010820	SIDE LINER EXTENSION	1	EA	NO LONGER AVAILABLE
10	PD020056	' #10-24 X 1/2" PH.TR. M.S. *SS*	1	EA	
11	PB060080	OVEN RACK VGIC 24 INCH	1	EA	
12	PB060022	OVEN RACK SUPT (VGSO166)	1	EA	

OVEN DOOR ASSY



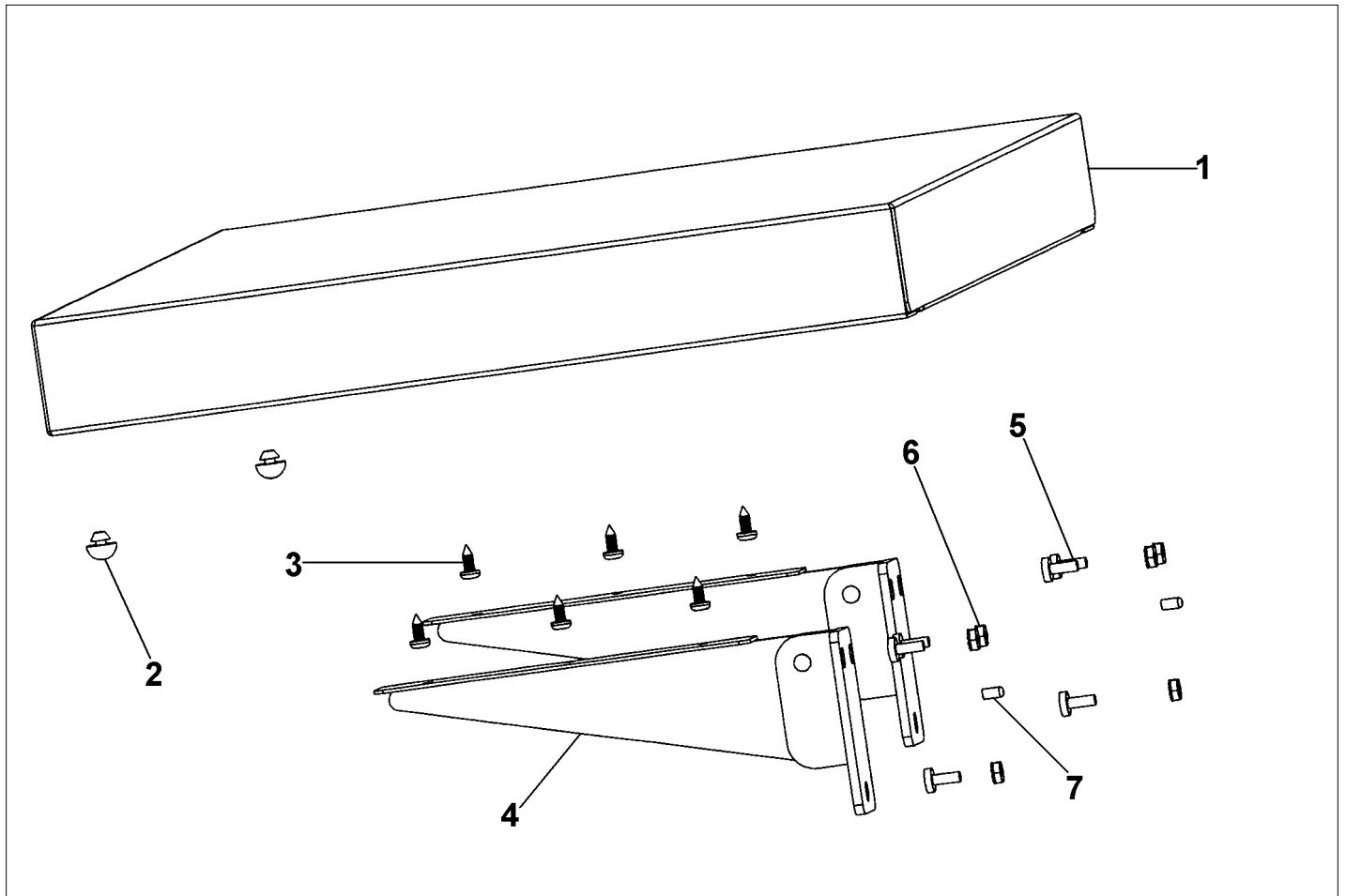


Item	Part No.	Name	Qty	Uom	NOTES
1	PE030134	DOOR HANDLE	1	EA	NO LONGER AVAILABLE
Not Shown	PE030134PVD	DOOR HANDLE PVD	1	EA	NO LONGER AVAILABLE
2	000268-000	HANDLE ENDCAP	1	EA	
Not Shown	PE030001PVD	END CAP DOOR HANDLE *BR	1	EA	
3	PD010019	BLT-1/4-20X3/8"HEX WASHER SERATED	1	EA	
4	B20010816	OUTSIDE DOOR PANEL	1	EA	Not available online / Call for pricing and availability
5	PD020032	SRW-8(A)X3/8"PH.WFR HD 7/16DIA*NICL	1	EA	
6	J10010851	DOOR HEAT SINK	1	EA	NO LONGER AVAILABLE, Not available online / Call for pricing and availability
7	A2002499	HINGE POCKET COVER LH	1	EA	
8	A2002498	HINGE POCKET COVER RH	1	EA	
9	PD020055	' #10 X 1/2" PAN PHIL. TEK.*SS*	1	EA	
10	B20010852	DOOR HEAT SINK BRACKET	1	EA	NO LONGER AVAILABLE, Not available online / Call for pricing and availability
11	B10010817	DOOR INSULATION RET.	1	EA	NO LONGER AVAILABLE, Not available online / Call for pricing and availability
12	PB070145	SUPERWOOL 5" X 24" X 3'	1	EA	
13	G91010815	DOOR LINER WELD ASSY	1	EA	NO LONGER AVAILABLE
NI	G32010818SS	DOOR ASSY *SS* BQCO53	1	EA	NO LONGER AVAILABLE
Not Shown	G32010818SSBR	DOOR ASSY *SSBR* BQCO53	1	EA	NO LONGER AVAILABLE, Not available online / Call for pricing and availability



Item	Part No.	Name	Qty	Uom	NOTES
1	B20010836	REAR ACCESS PANEL	1	EA	
2	PD020055	' #10 X 1/2" PAN PHIL. TEK.*SS*	1	EA	
3	B200010811	GRILL CART BACK	1	EA	Not available online / Call for pricing and availability
4	023653-000	Nipple-Coupler Assy	1	EA	
5	PB040046	1/2" CLOSE NIPPLE	1	EA	
6	PB020222	1/2" FLEX TUBING	1	EA	NO LONGER AVAILABLE
7	PB010266	SAFETY VALVE - NLA	1	EA	
8	PA020036	SPARK MODULE	1	EA	
9	PD020057	' #10 X 1" FLAT HD. TEK.*SS*	1	EA	
10	PB020190	10" FLEX TUBE	1	EA	
11	PB020135	FLEX TUBING 34"	1	EA	
12	PB040045	3/8 UNION TEE (VGSO166)	1	EA	

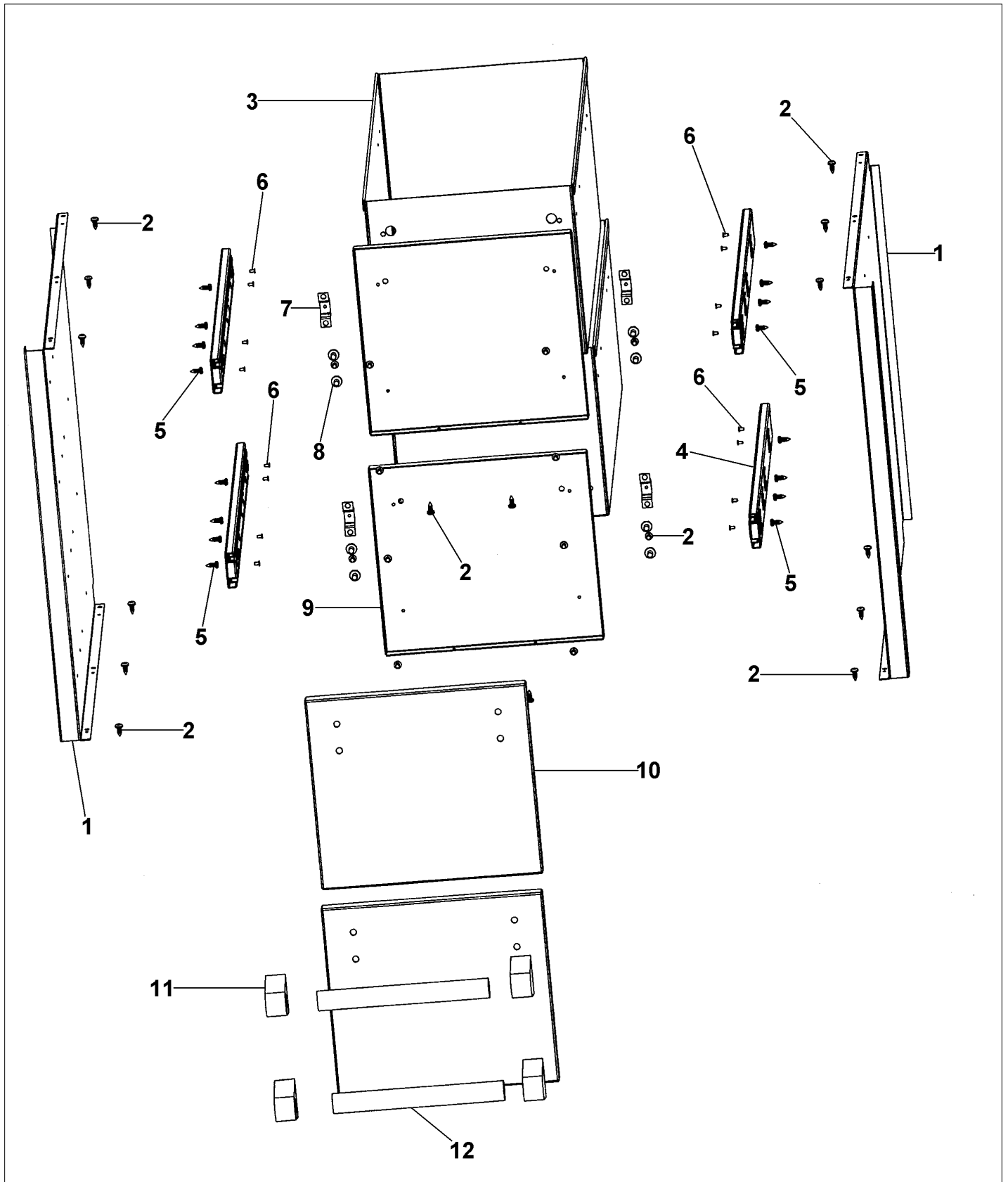
SIDE SHELF ASSY





Item	Part No.	Name	Qty	Uom	NOTES
1	B3005378	SIDE SHELF, BQC500 SERIES	1	EA	
2	PD040060	RUBBER GROMMET	1	EA	
3	PD020055	' #10 X 1/2" PAN PHIL. TEK.*SS*	1	EA	
4	PC020031	SIDE SHELF HINGE, BQC	1	EA	
5	PD020056	' #10-24 X 1/2" PH.TR. M.S. *SS*	1	EA	
6	PD030044	10-24 KEPS NUT *SS*	1	EA	
7	PD020118	ALLEN SCREW	1	EA	

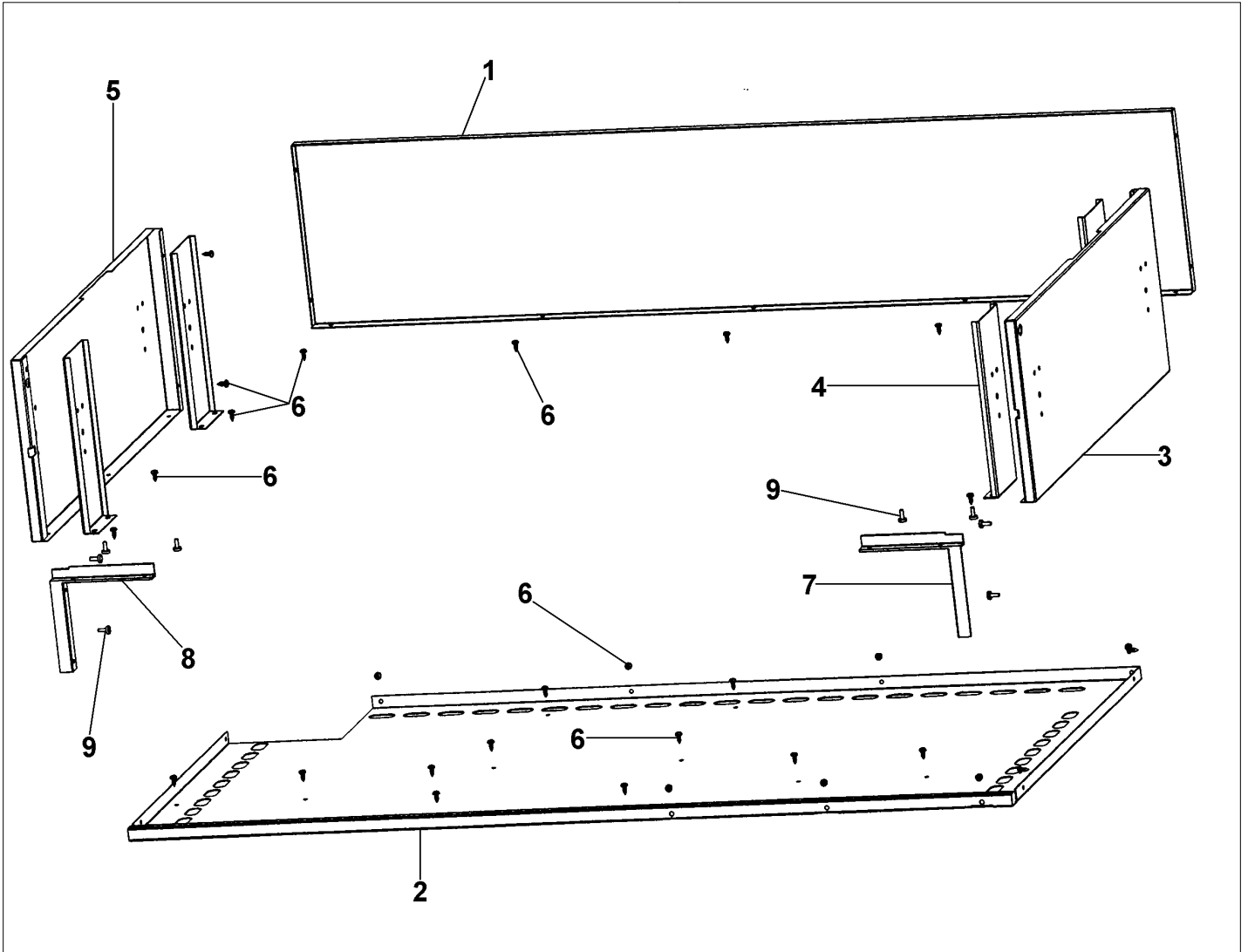
STORAGE DRAWER AREA ASSY





Item	Part No.	Name	Qty	Uom	NOTES
1	B20010810	VCQS 41 INNER CART WALL	1	EA	NO LONGER AVAILABLE, Not available online / Call for pricing and availability
2	PD020055	' #10 X 1/2" PAN PHIL. TEK.*SS*	1	EA	
3	B30010830	53 CART DRAWER	1	EA	NO LONGER AVAILABLE
4	PC080010	SLIDE	1	EA	
5	PD020120	8 X 1/2 TEK SHEET METAL SCREW	1	EA	
6	PC040010	POP RIVET (.063/GR -.125) GAMD42-A	1	EA	
7	B2005386	CART HANDLE SPACER	1	EA	NO LONGER AVAILABLE
8	PD010019	BLT-1/4-20X3/8"HEX WASHER SERATED	1	EA	
9	B20010831	CART INNER DRAWER DOOR 53	1	EA	NO LONGER AVAILABLE, Not available online / Call for pricing and availability
10	B20010801	DRAWER O/S DOOR PANEL	1	EA	NO LONGER AVAILABLE, Not available online / Call for pricing and availability
11	000268-000	HANDLE ENDCAP	1	EA	
Not Shown	PE030001PVD	END CAP DOOR HANDLE *BR	1	EA	
12	PE030136	DOOR HANDLE	1	EA	
Not Shown	PE030136PVD	DOOR HANDLE PVD	1	EA	NO LONGER AVAILABLE

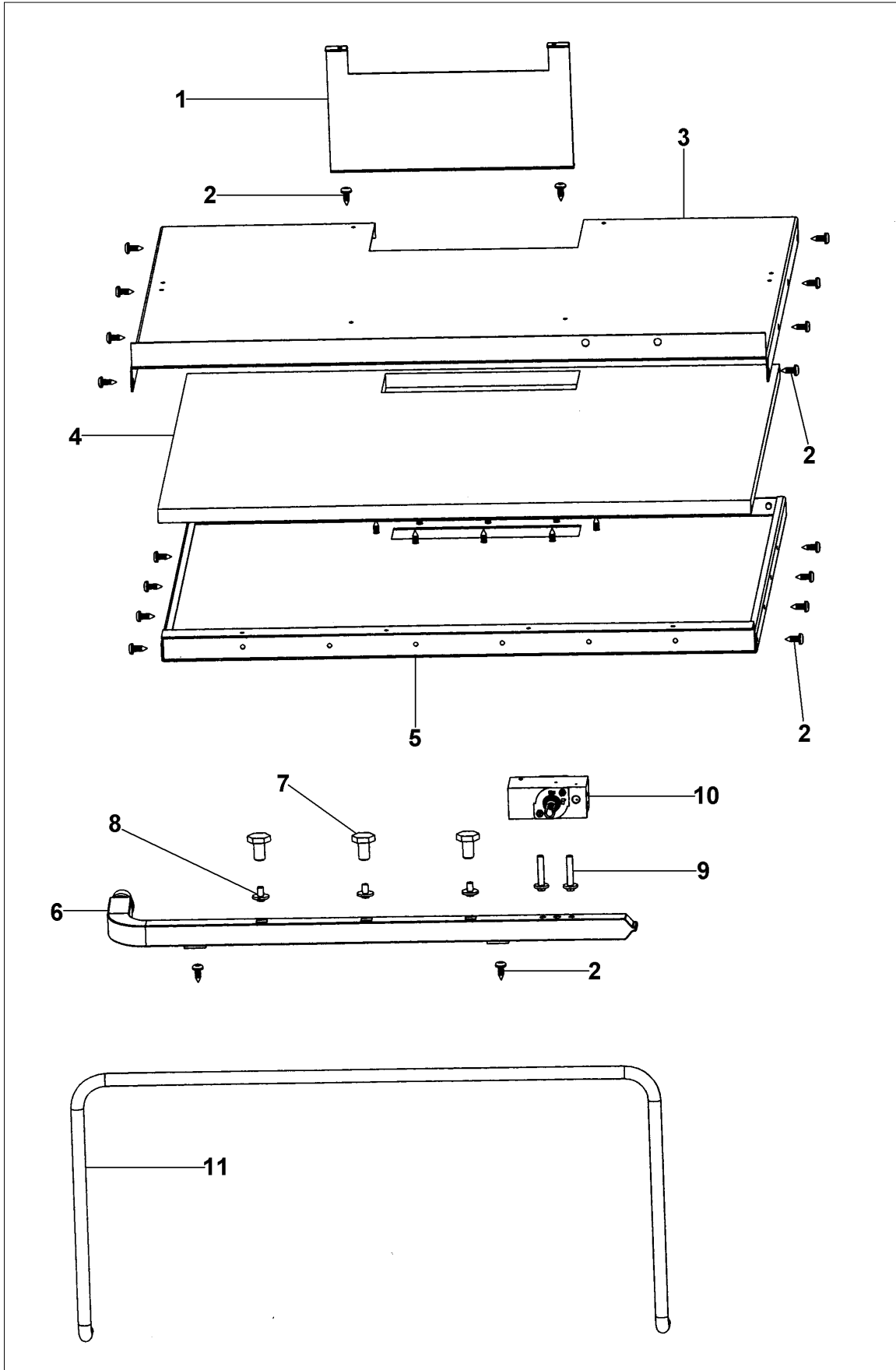
UPPER CART ASSY





Item	Part No.	Name	Qty	Uom	NOTES
1	B2005364	REAR CART UPPER 53"	1	EA	Not available online / Call for pricing and availability
2	B20010832	PHASE II CART TOP 53	1	EA	NO LONGER AVAILABLE, Not available online / Call for pricing and availability
3	B2007244	UPPER CART SIDE - RH	1	EA	
4	B2007211	CART SIDE BRACE 41 & 53	1	EA	Not available online / Call for pricing and availability
5	B2007241	UPPER CART SIDE - LH	1	EA	
6	PD020055	' #10 X 1/2" PAN PHIL. TEK.*SS*	1	EA	
7	PM010360	VCQS CORNER FRAME RH	1	EA	NO LONGER AVAILABLE, Not available online / Call for pricing and availability
8	PM010361	VCQS CORNER FRAME LH	1	EA	NO LONGER AVAILABLE, Not available online / Call for pricing and availability
9	PD020068	' #10 - 32 X 1/2"TRUSS. PHIL. M.*SS*	1	EA	

UPPER OVEN ASSY





Item	Part No.	Name	Qty	Uom	NOTES
1	B20010869	TIE-IN BRACKET	1	EA	NO LONGER AVAILABLE, Not available online / Call for pricing and availability
2	PD020055	' #10 X 1/2" PAN PHIL. TEK.*SS*	1	EA	
3	B20010823	TOP INSULATION RETAINER	1	EA	NO LONGER AVAILABLE, Not available online / Call for pricing and availability
4	PB070145	SUPERWOOL 5" X 24" X 3'	1	EA	
5	E91010807	OVEN TOP	1	EA	NO LONGER AVAILABLE, Not available online / Call for pricing and availability
6	PA050099	MANIFOLD	1	EA	NO LONGER AVAILABLE
7	PA010012	ROPER PLUG	1	EA	
8	PD010012	VALVE BOLT 1/4-20 UNC-2B 5/16" M.S.	1	EA	
9	PD020173	MANIFOLD BOLT	1	EA	NO LONGER AVAILABLE
10	PB010265	THERMOSTAT	1	EA	
11	PB070193	DOOR GASKET	1	EA	NO LONGER AVAILABLE, Not available online / Call for pricing and availability



Appendix A:Pages Index

CART BOTTOM ASSY 1
CONTROL AND VENT AREA ASSY 2
LOWER OVEN ASSY 3
LP DOOR AREA ASSY 4
LP TANK COMPARTMENT ASSY 5
OVEN CAVITY ASSY 6
OVEN DOOR ASSY 7
REAR CART AND GAS FLOW ASSY 8
SIDE SHELF ASSY 9
STORAGE DRAWER AREA ASSY 10
UPPER CART ASSY 11
UPPER OVEN ASSY 12



Appendix B:Parts Index

000268-000	4, 7, 10	B2007244	11
023653-000	5, 8	B2007920	1
A2000803	3	B30010804	1
A2002498	7	B30010830	10
A2002499	7	B30010837	2
B10010817	7	B3005378	9
B200010811	8	B92010802	2
B20001812	3	E91010805	6
B20010800	4	E91010806	6
B20010801	10	E91010807	12
B20010803	3	E91010808	6
B20010809	3	E91010820	6
B20010810	4, 10	G30010840	2
B20010813	5	G32010818SS	7
B20010816	7	G32010818SSBR	7
B20010821	6	G91010815	7
B20010822	6	G9107670	3
B20010823	12	J10010851	7
B20010824	3, 6	PA010012	12
B20010825	5	PA010155	2
B20010826	1	PA020036	8
B20010827	3	PA020044	3
B20010831	10	PA050099	12
B20010832	11	PB0101208	2
B20010833	4	PB010163	2
B20010834	4	PB010209	2
B20010836	8	PB010265	12
B20010838	2	PB010266	3, 8
B20010849	3	PB020135	8
B20010852	7	PB020190	8
B20010869	12	PB020222	8
B20013825	1, 5	PB040045	8
B20013826	5	PB040046	5, 8
B20014411	3	PB040241	3
B2004202	5	PB040244	3
B2005361	4	PB050076	3
B2005364	11	PB060022	6
B2005386	4, 10	PB060080	6
B2007211	11	PB070145	6, 7, 12
B2007241	11	PB070193	12
		PC020008	3



PC020031	9
PC030020	1
PC030030	1
PC040010	10
PC080010	10
PD010012	12
PD010019	1, 4, 7, 10
PD020032	2, 7
PD020055	1, 2, 3, 4, 5, 6, 7, 8, 9, 10, 11, 12
PD020056	3, 6, 9
PD020057	3, 8
PD020067	2, 3
PD020068	11
PD020070	5
PD020118	9
PD020120	10
PD020173	12
PD030043	1
PD030044	9
PD030050	5
PD040052	5
PD040060	9
PE030001PVD	4, 7, 10
PE030134	7
PE030134PVD	7
PE030135	4
PE030135PVD	4
PE030136	10
PE030136PVD	10
PE050063	2
PK000018	1, 5
PM010360	11
PM010361	11