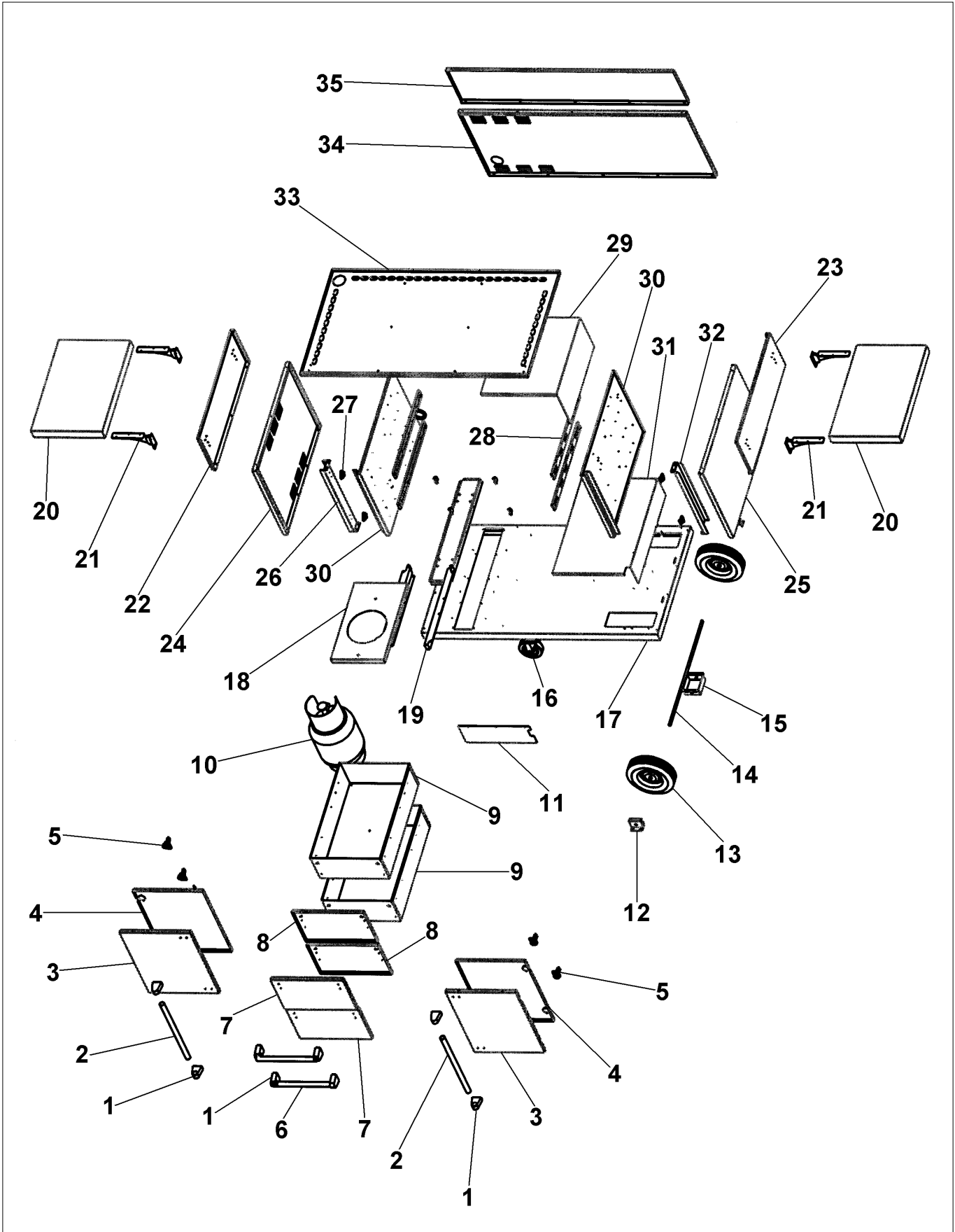


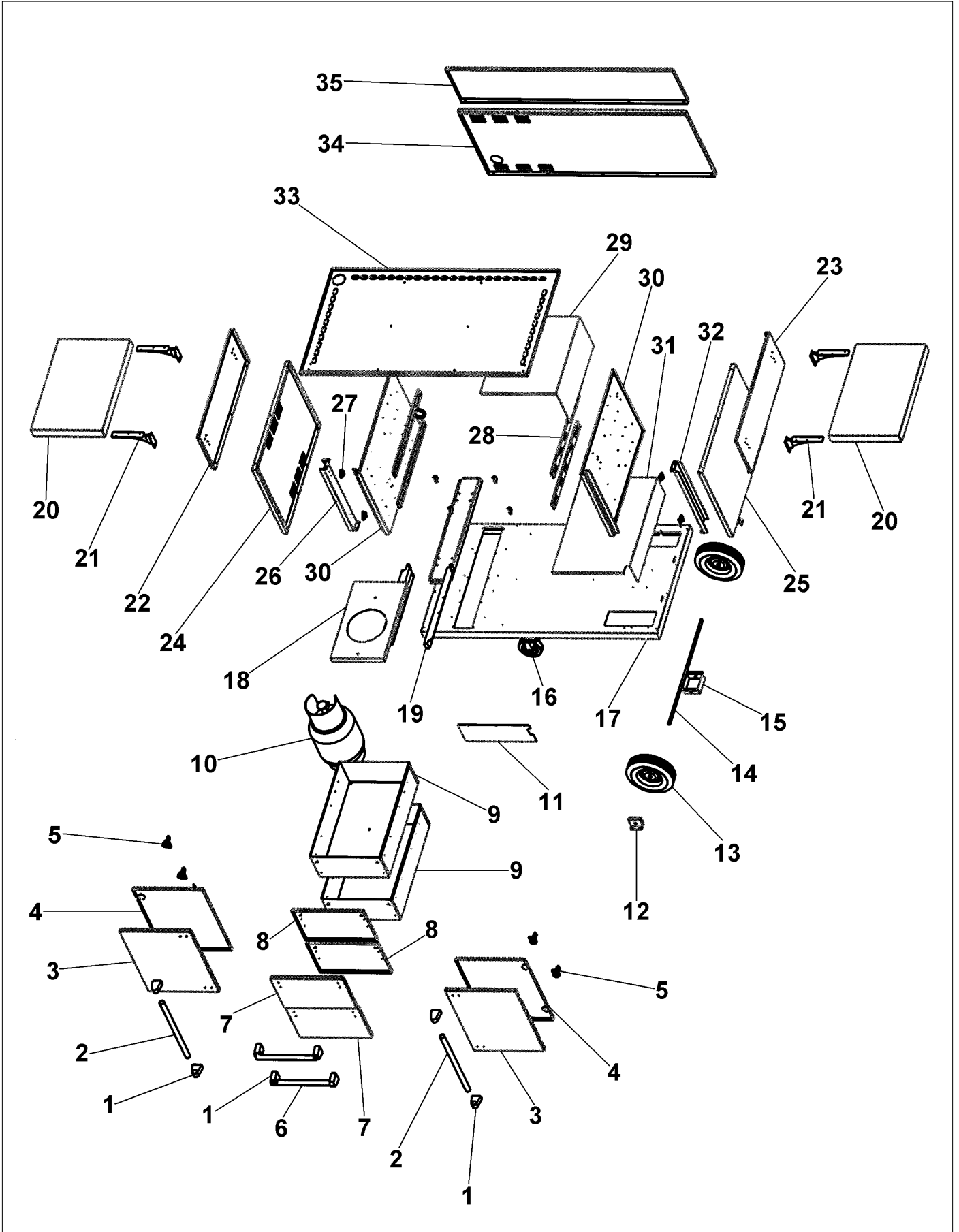
BQC530T1

AFTER V0000000272	1
BEFORE V0000000272	2
Appendix A:Pages Index	A
Appendix B:Parts Index	B

AFTER V0000000272

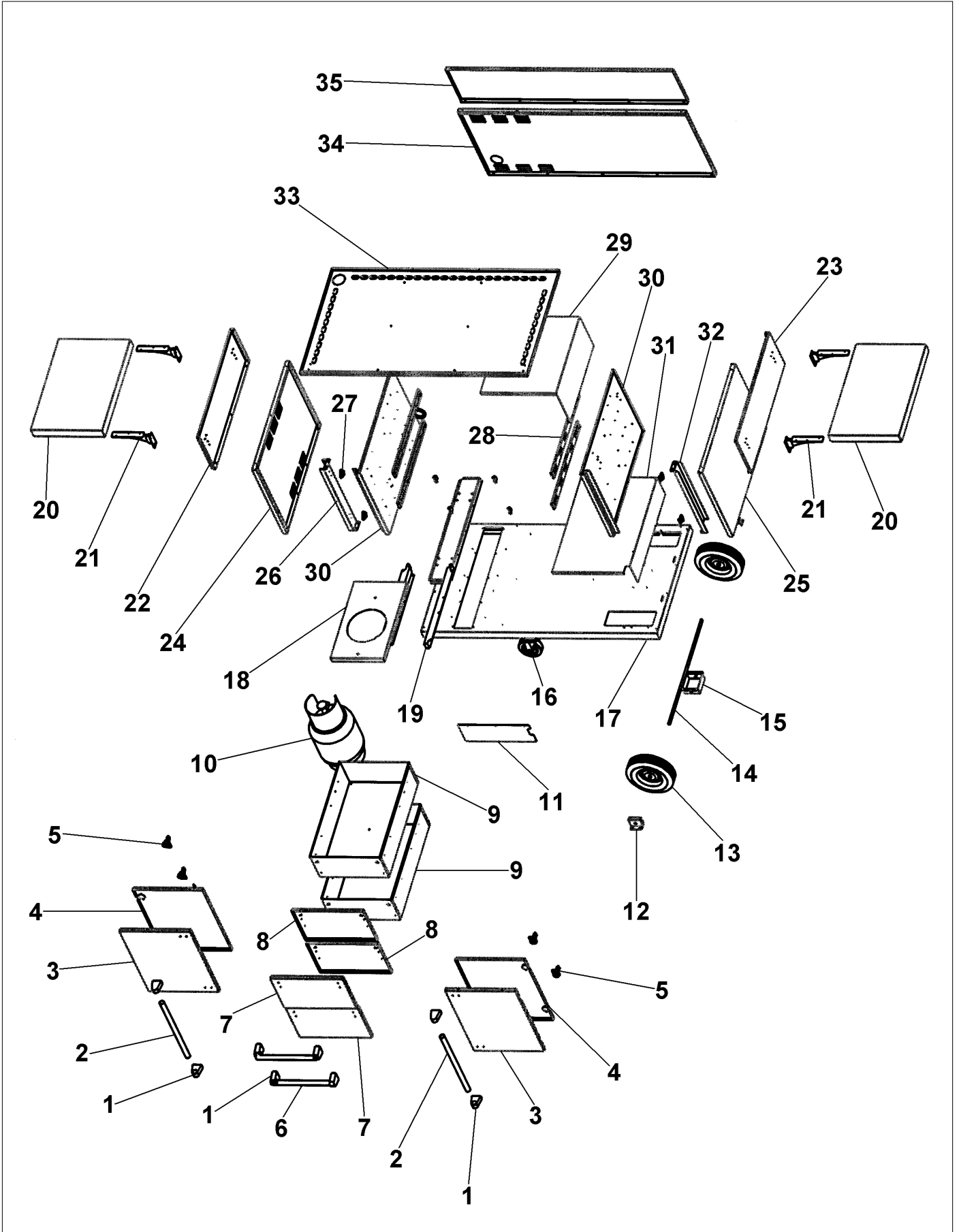


Item	Part No.	Name	Qty	Uom	NOTES
1	000268-000	HANDLE ENDCAP	1	EA	
Not Shown	PE030001PVD	END CAP DOOR HANDLE *BR	1	EA	
2	PE030095	CART DOOR HANDLE *SS*	1	EA	
Not Shown	PE030095PVD	CART DOOR HANDLE ACCESS DOOR *BR*	1	EA	NO LONGER AVAILABLE, Not available online / Call for pricing and availability
3	B2008905	PHASE II OUTER DOOR BQC53 - LH	1	EA	Not available online / Call for pricing and availability
Not Shown	NOTE	(BEFORE 05/05/11)		EA	
3	024779-000	OUTSIDE DOOR	1	EA	
Not Shown	NOTE	(ON OR AFTER 05/05/11)		EA	
4	B2007414	PHASE II INNER DOOR BQC53 - LH	1	EA	
5	PC020172	DOOR HINGE (BBQ)	1	EA	
6	PE030096	CART DRAWER HANDLE *SS* 16.494	1	EA	
Not Shown	PE030096PVD	CART DOOR HANDLE - BQC410T -BRASS	1	EA	NO LONGER AVAILABLE, Not available online / Call for pricing and availability
7	B2005372	OUTER DRAWER - 53"	1	EA	
Not Shown	NOTE	(BEFORE 05/05/11)		EA	
8	B2005374	CART INNER DRAWER - 53"	1	EA	NO LONGER AVAILABLE, Not available online / Call for pricing and availability
9	B3005383	CART DRAWER - 53"	1	EA	NO LONGER AVAILABLE
10	PM010037	LP TANK FOR VGBQ	1	EA	NO LONGER AVAILABLE, Not available online / Call for pricing and availability
11	B1008909	WHEEL WELL FRONT	1	EA	NO LONGER AVAILABLE, Not available online / Call for pricing and availability



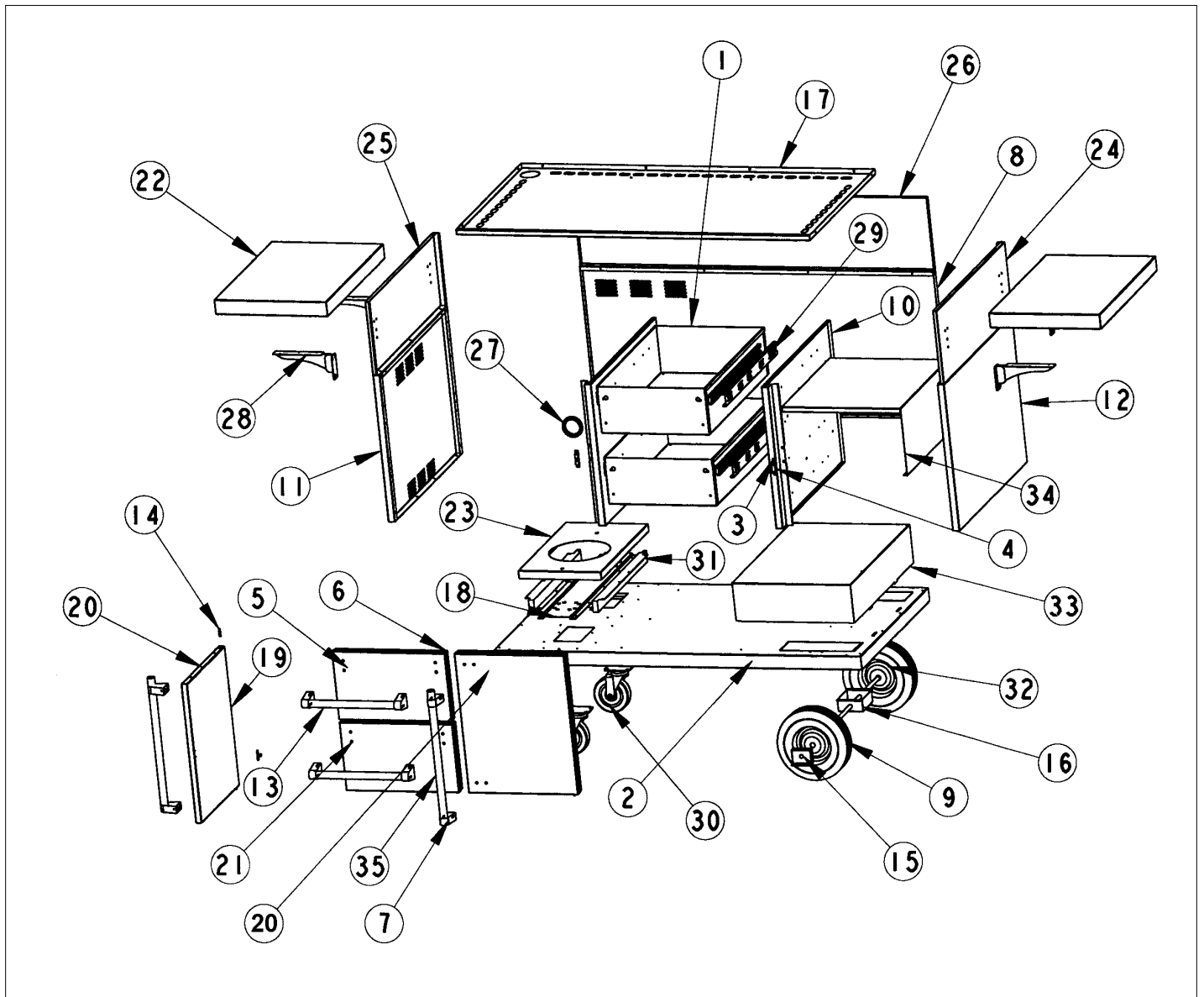


Item	Part No.	Name	Qty	Uom	NOTES
12	B2005381	PHASE II AXLE BRACE	1	EA	
13	PC030022	WHEEL FOR BBQ GRILL	1	EA	
14	PC020023	1/2" CART AXLE	1	EA	
15	B2005382	PHASE II AXLE BRACE - INNER	1	EA	
16	PC030020	SWIVEL CASTER (VGBQ) (CH#C21-1051)	1	EA	
17	B3008907	CART BOTTOM BQC53	1	EA	NO LONGER AVAILABLE, Not available online / Call for pricing and availability
18	B2005377	TANK DRAWER	1	EA	NO LONGER AVAILABLE
19	PK000018	TANK DRAWER SLIDE (RH OR LH) BBQ GRILL	1	EA	
20	B3005378	SIDE SHELF, BQC500 SERIES	1	EA	
21	PC020031	SIDE SHELF HINGE, BQC	1	EA	
22	B2007241	UPPER CART SIDE - LH	1	EA	
23	B2007244	UPPER CART SIDE - RH	1	EA	
24	B2005361	LOWER CART SIDE LH	1	EA	
25	B2005360	LOWER CART SIDE RIGHT	1	EA	
26	B2007415	HINGE BAR - BQC41	1	EA	
27	PC020173	DOOR HINGE RECEIVER (BBQ)	1	EA	
28	PC080010	SLIDE	1	EA	
29	B2005389	WHEEL WELL SHELF	1	EA	Not available online / Call for pricing and availability
30	B2008904	INNER CART WALL BQC41	1	EA	NO LONGER AVAILABLE
31	B2008908	WHEEL WELL BQC53	1	EA	NO LONGER AVAILABLE, Not available online / Call for pricing and availability
32	B2008432	HINGE BAR BQC53	1	EA	NO LONGER AVAILABLE, Not available online / Call for pricing and availability



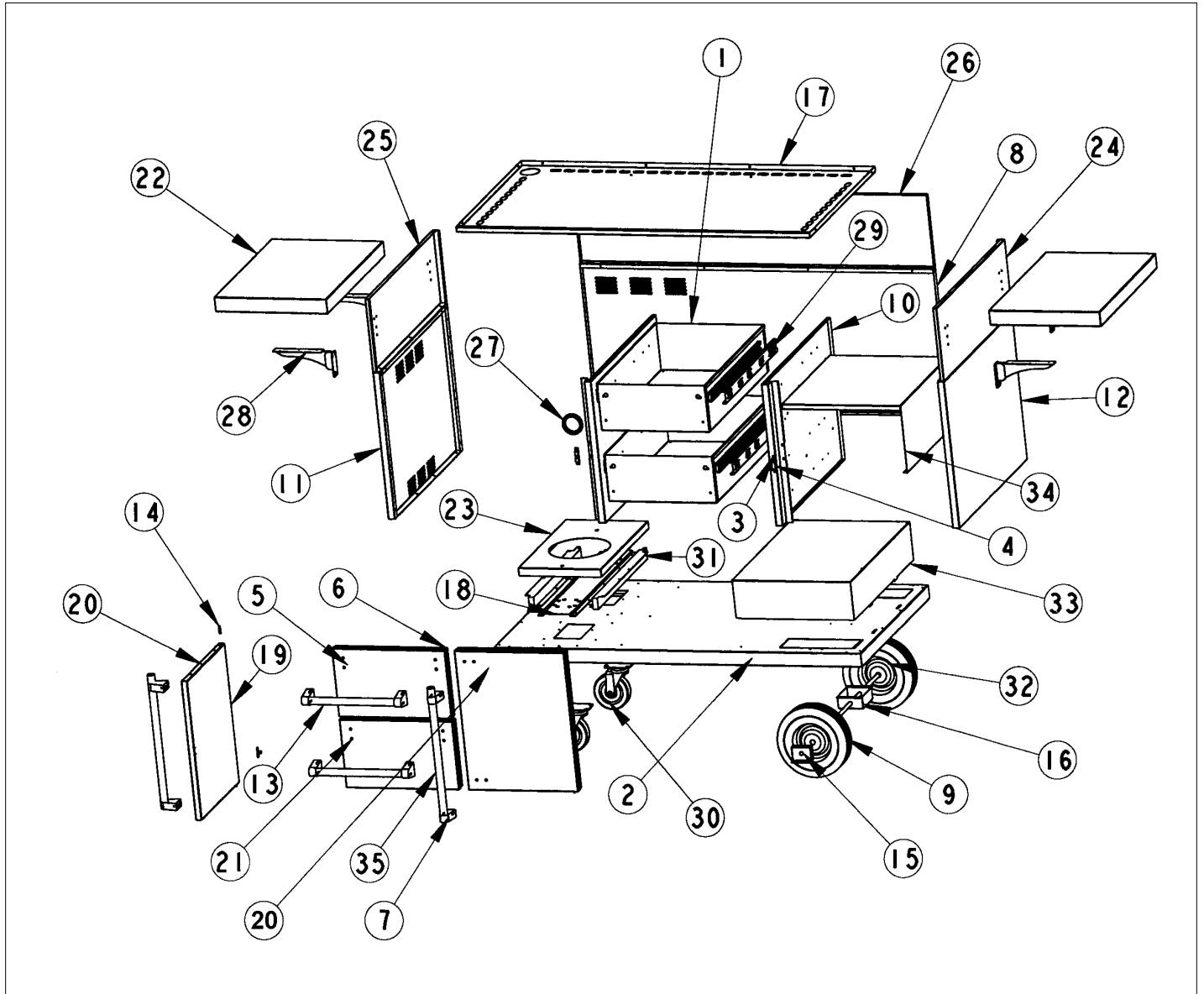


Item	Part No.	Name	Qty	Uom	NOTES
33	B2008906	PHASE II CART TOP BQC53	1	EA	NO LONGER AVAILABLE, Not available online / Call for pricing and availability
34	B2005362	GRILL CART BACK 53"	1	EA	NO LONGER AVAILABLE, Not available online / Call for pricing and availability
35	B2005364	REAR CART UPPER 53"	1	EA	Not available online / Call for pricing and availability

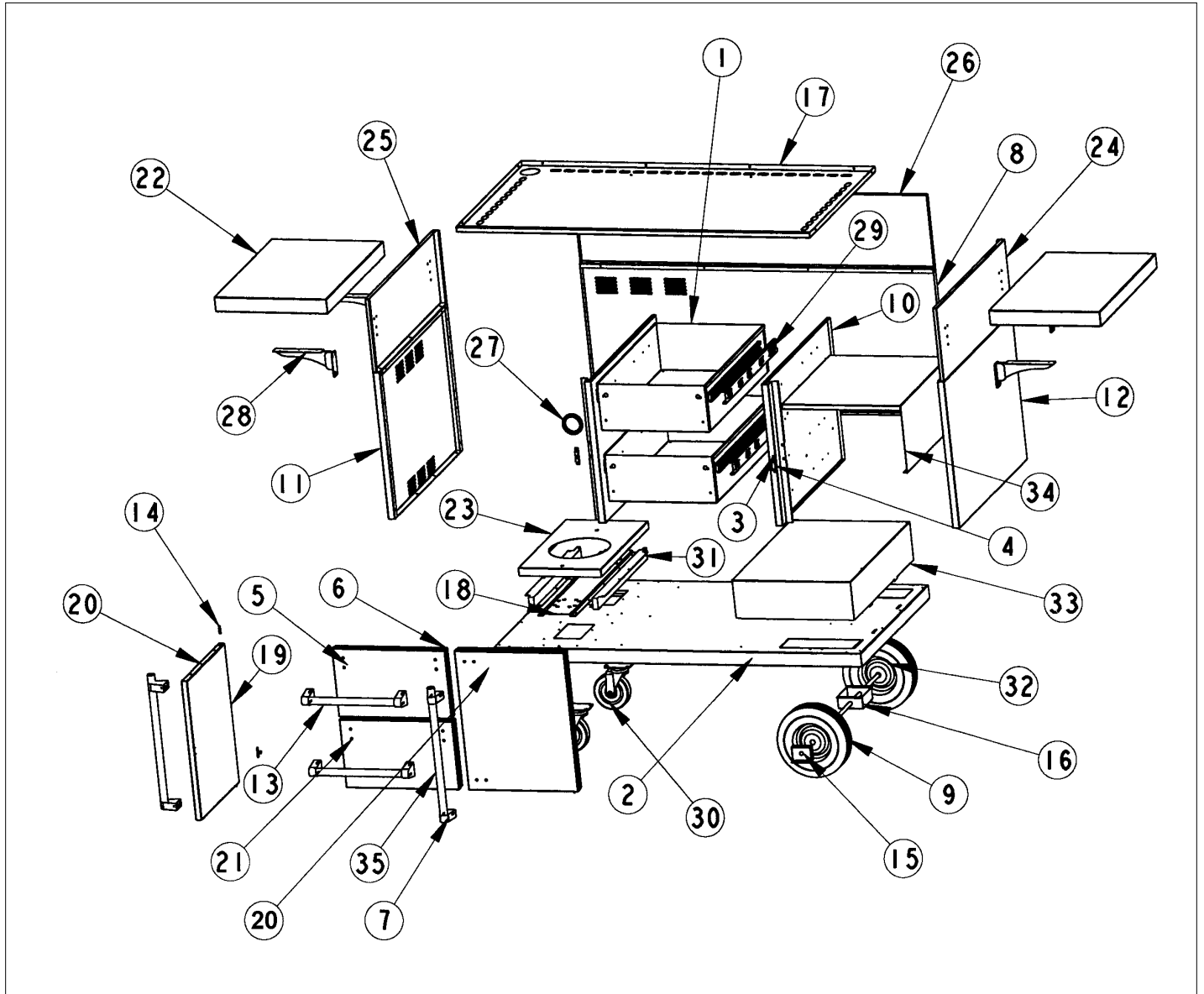




Item	Part No.	Name	Qty	Uom	NOTES
1	B3005383	CART DRAWER - 53"	1	EA	NO LONGER AVAILABLE
2	B3005353	CART BOTTOM 53	1	EA	NO LONGER AVAILABLE, Not available online / Call for pricing and availability
3	PE050031	CART DOOR LATCH (CH# M22-2430) VGBQ	1	EA	
4	PE050052	CART DOOR LATCH (CH#M22-2420)	1	EA	
5	B2005386	CART HANDLE SPACER	1	EA	NO LONGER AVAILABLE
6	B2005374	CART INNER DRAWER - 53"	1	EA	NO LONGER AVAILABLE, Not available online / Call for pricing and availability
7	000268-000	HANDLE ENDCAP	1	EA	
Not Shown	PE030001PVD	END CAP DOOR HANDLE *BR	1	EA	
8	B2005362	GRILL CART BACK 53"	1	EA	NO LONGER AVAILABLE, Not available online / Call for pricing and availability
9	PC030022	WHEEL FOR BBQ GRILL	1	EA	
10	B2005358	INNER CART WALL 41"	1	EA	NO LONGER AVAILABLE, Not available online / Call for pricing and availability
11	B2005361	LOWER CART SIDE LH	1	EA	
12	B2005360	LOWER CART SIDE RIGHT	1	EA	
13	PE030097	CART DRAWER HANDLE *SS*	1	EA	
Not Shown	PE030097PVD	CART DRAWER HANDLE - BQC530T- BRASS 13.875	1	EA	NO LONGER AVAILABLE, Not available online / Call for pricing and availability
14	PD010017	BALL STUD (VGRT)	1	EA	
15	B2005381	PHASE II AXLE BRACE	1	EA	
16	B2005382	PHASE II AXLE BRACE - INNER	1	EA	



Item	Part No.	Name	Qty	Uom	NOTES
17	B2005366	PHASE II CART TOP 53"	1	EA	NO LONGER AVAILABLE, Not available online / Call for pricing and availability
18	B2007920	CASTER BRACE	1	EA	
19	B2005370	INNER DOOR - 53"	1	EA	
20	B2005368	OUTER DOOR - 53"	1	EA	
21	B2005372	OUTER DRAWER - 53"	1	EA	
Not Shown	NOTE	(BEFORE 05/05/11)		EA	
21	024735-000	OUTSIDE DRWR DOOR	1	EA	
Not Shown	NOTE	(ON OR AFTER 05/05/11)		EA	
22	B3005378	SIDE SHELF, BQC500 SERIES	1	EA	
23	B2005377	TANK DRAWER	1	EA	NO LONGER AVAILABLE
24	B2005379	PHASE II UPPER CART SIDE	1	EA	NO LONGER AVAILABLE
Not Shown	B2007244	UPPER CART SIDE - RH	1	EA	
25	B2005380	UPPER CART SIDE LEFT	1	EA	Not available online / Call for pricing and availability
Not Shown	B2007241	UPPER CART SIDE - LH	1	EA	
26	B2005364	REAR CART UPPER 53"	1	EA	Not available online / Call for pricing and availability
27	PD040052	SIDE BURNER GROMMET	1	EA	
28	PC020031	SIDE SHELF HINGE, BQC	1	EA	
29	PC080010	SLIDE	1	EA	
30	PC030020	SWIVEL CASTER (VGBQ) (CH#C21-1051)	1	EA	
31	PK000018	TANK DRAWER SLIDE (RH OR LH) BBQ GRILL	1	EA	
32	PC020023	1/2" CART AXLE	1	EA	
33	B2005356	WHEEL WELL 53	1	EA	NO LONGER AVAILABLE
34	B2005359	WHEEL WELL SHELF	1	EA	NO LONGER AVAILABLE





Item	Part No.	Name	Qty	Uom	NOTES
35	PE030095	CART DOOR HANDLE *SS*	1	EA	
Not Shown	PE030095PVD	CART DOOR HANDLE ACCESS DOOR *BR*	1	EA	NO LONGER AVAILABLE, Not available online / Call for pricing and availability
NI	B2004202	L.P. TANK STRAP (VGBQ)	1	EA	
NI	B2006320	SIDE SHELF HINGE REINFORCEMENT	1	EA	Not available online / Call for pricing and availability
NI	PD020070	1/4 X 20 X 1 SHOULDER THUMB SCREW	1	EA	
NI	B2007211	CART SIDE BRACE 41 & 53	1	EA	Not available online / Call for pricing and availability
NI	PD020119	8-32X3/8 PH CTR. MACH.SCREW S.S.	1	EA	
NI	PD020055	' #10 X 1/2" PAN PHIL. TEK.*SS*	1	EA	
NI	PD020056	' #10-24 X 1/2" PH.TR. M.S.*SS*	1	EA	
NI	PD030044	10-24 KEPS NUT *SS*	1	EA	



Appendix A:Pages Index

AFTER V0000000272	1
BEFORE V0000000272	2



Appendix B:Parts Index

000268-000	1, 2	PC020023	1, 2
024735-000	2	PC020031	1, 2
024779-000	1	PC020172	1
B1008909	1	PC020173	1
B2004202	2	PC030020	1, 2
B2005356	2	PC030022	1, 2
B2005358	2	PC080010	1, 2
B2005359	2	PD010017	2
B2005360	1, 2	PD020055	2
B2005361	1, 2	PD020056	2
B2005362	1, 2	PD020070	2
B2005364	1, 2	PD020119	2
B2005366	2	PD030044	2
B2005368	2	PD040052	2
B2005370	2	PE030001PVD	1, 2
B2005372	1, 2	PE030095	1, 2
B2005374	1, 2	PE030095PVD	1, 2
B2005377	1, 2	PE030096	1
B2005379	2	PE030096PVD	1
B2005380	2	PE030097	2
B2005381	1, 2	PE030097PVD	2
B2005382	1, 2	PE050031	2
B2005386	2	PE050052	2
B2005389	1	PK000018	1, 2
B2006320	2	PM010037	1
B2007211	2		
B2007241	1, 2		
B2007244	1, 2		
B2007414	1		
B2007415	1		
B2007920	2		
B2008432	1		
B2008904	1		
B2008905	1		
B2008906	1		
B2008908	1		
B3005353	2		
B3005378	1, 2		
B3005383	1, 2		
B3008907	1		