

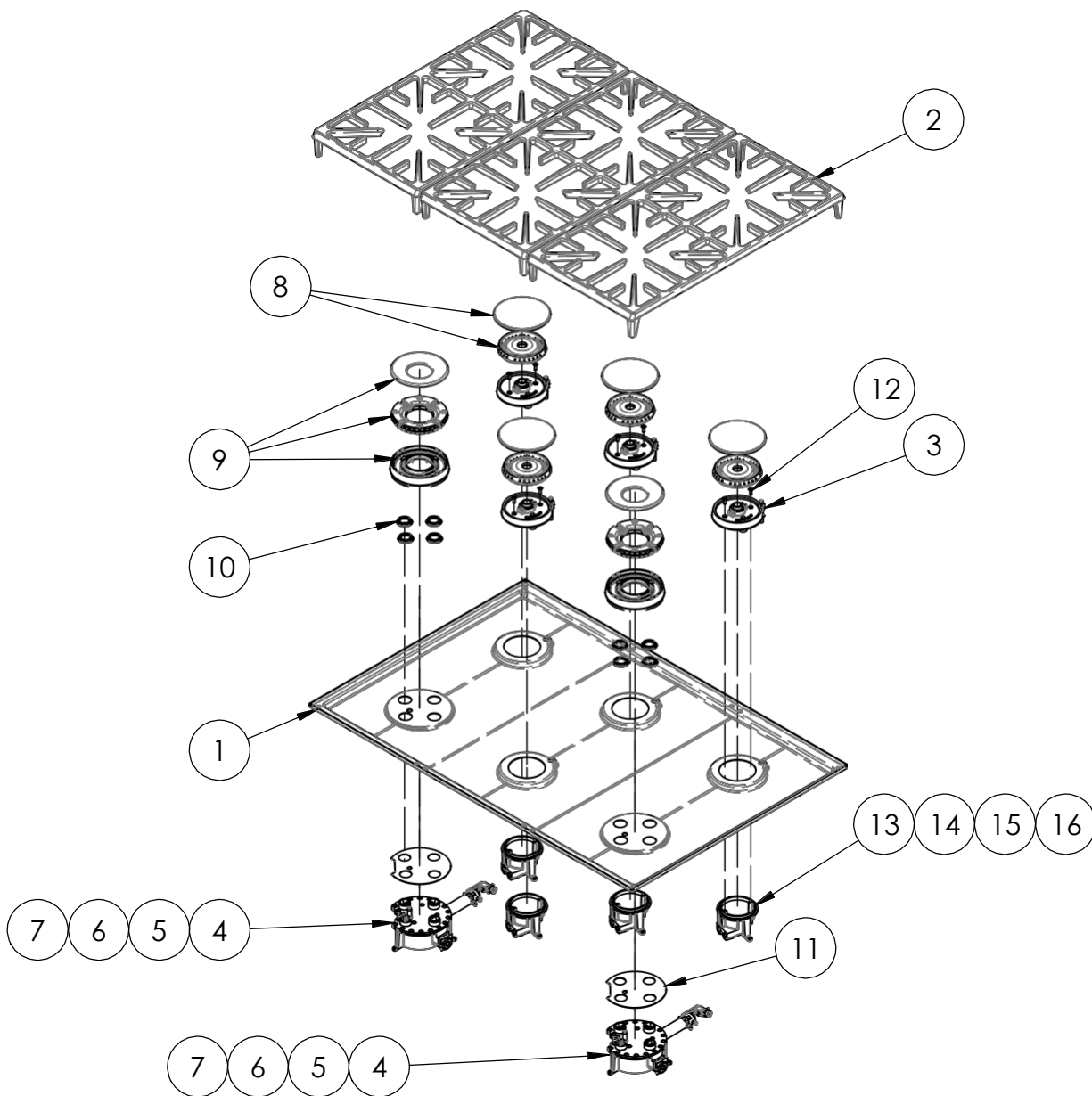
dacor

LET THE SHOW BEGIN

RNRP36G

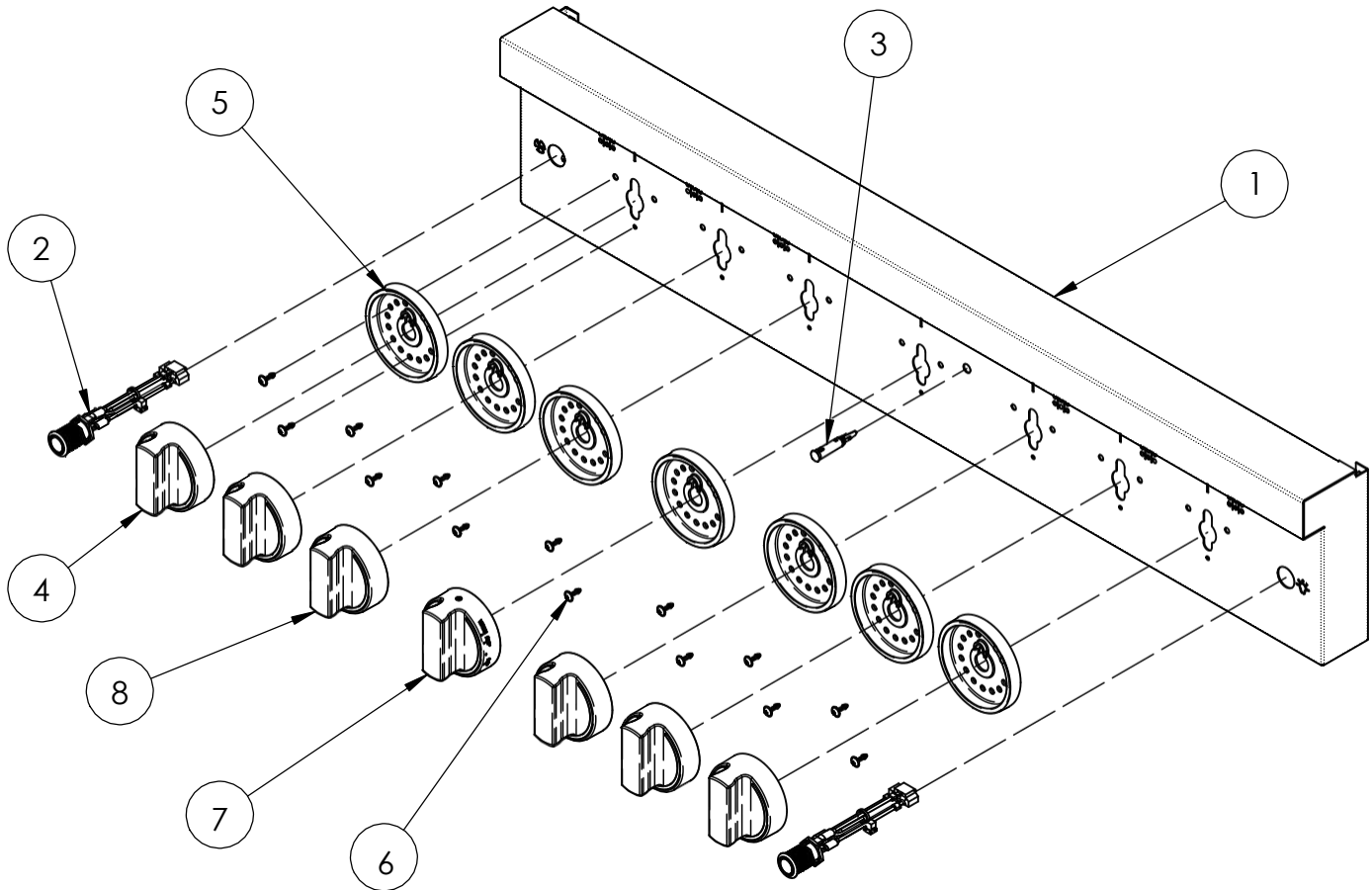


TOP FRAME



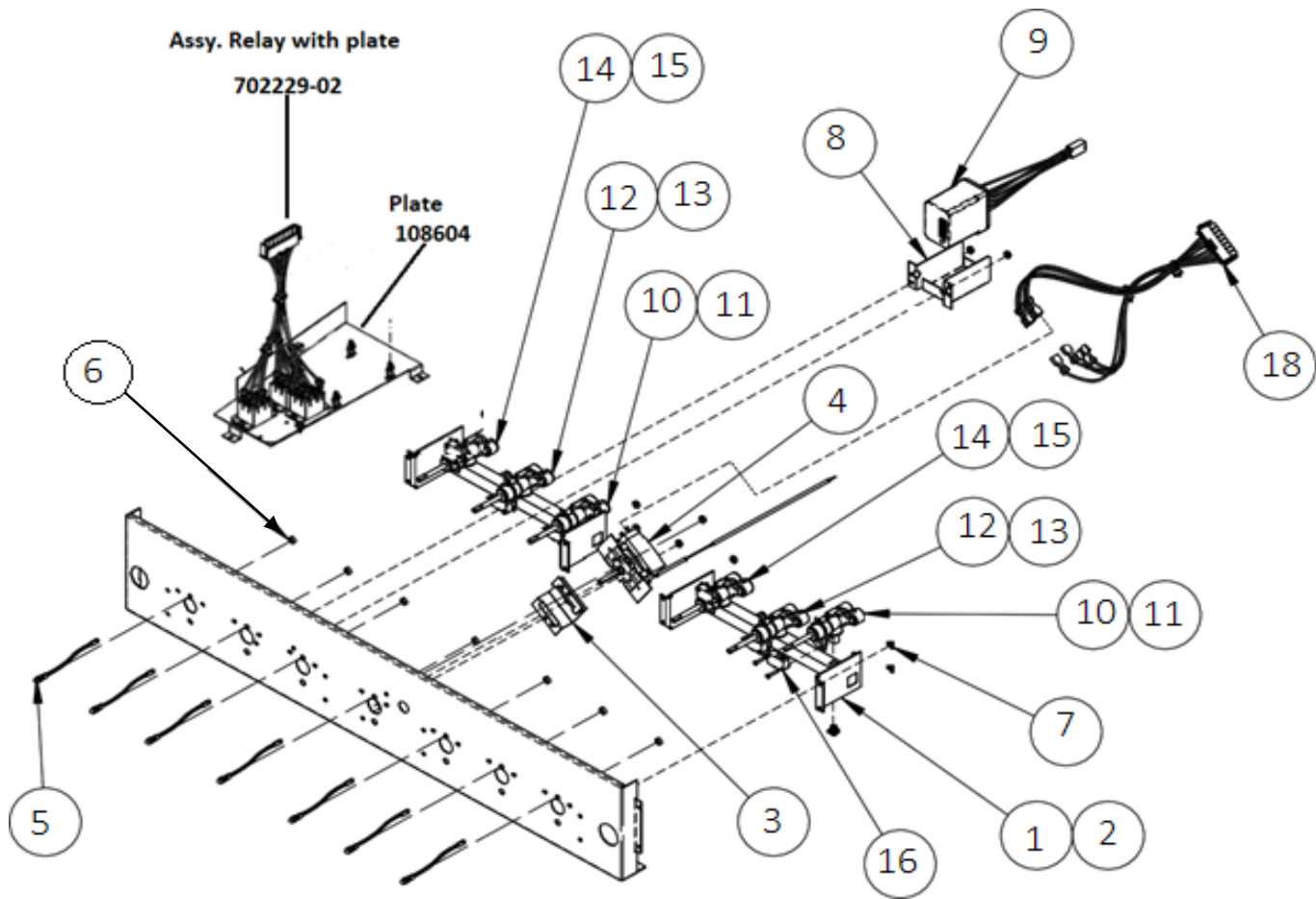
ITEM NO.	PART NUMBER	DESCRIPTION
1	107950BP	SPILL TRAY, BLACK PORCELAIN
2	702035	GRATE, 4 FINGER, 11 1/4" X 23"
3	100702	ASSY, BASE, 16K
4	701985-01	ASSY, DUAL BURNER, 18K, NG
5	701985-02	ASSY, DUAL BURNER, 18K, LP
6	701985-03	ASSY, DUAL BURNER, 18K, NGH
7	701985-04	ASSY, DUAL BURNER, 18K, LPH
8	702186	PACK, BURNER RING/BURNER, 16k
9	100703	PACK, BURNER RING/CAP/BASE, 18k
10	700017	BRASS RING M22 X 1
11	700145	GASKET, DUAL BURNER, GRAPHITE
12	100439	SCREW, #8-32 X 1/2, TORX, C-SINK
13	701989-01	ASSY., INJECTOR HOLDER, 15K, NG
14	701989-02	ASSY, INJECTOR HOLDER, 15K, LP
15	701989-03	ASSY, INJECTOR HOLDER, 15K, NGH
16	701989-04	ASSY, INJECTOR HOLDER, 15K, LPH

CONTROL PANEL



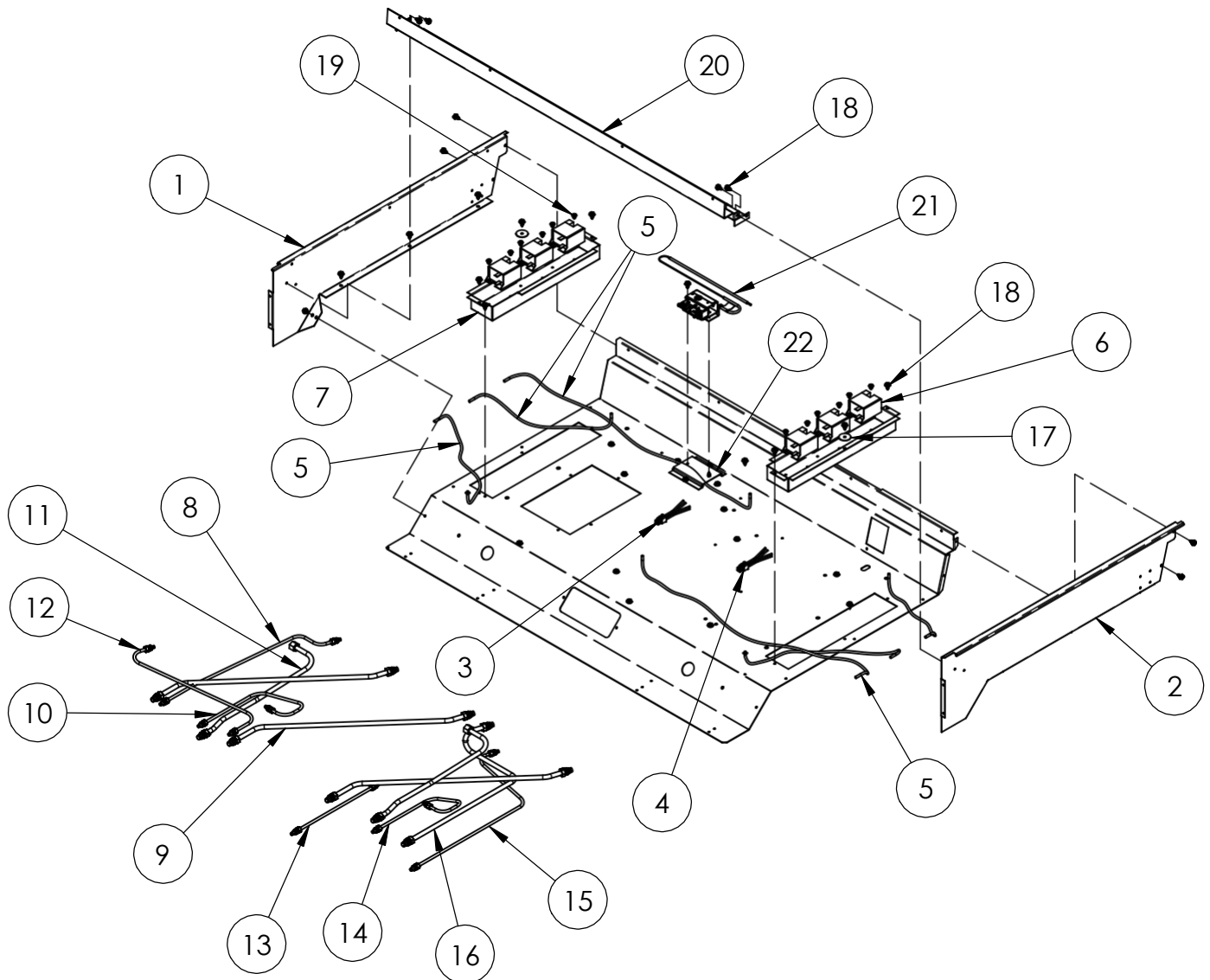
ITEM NO.	PART NUMBER	DESCRIPTION
1	702239E	WELDMENT, CTRL PANEL
2	701730	ASY, SWITCH-PIGTAIL
3	103690	OVEN INDICATOR LIGHT
4	107761-01	KNOB, ILLUMINATED, SIMMER
5	107762	RING, TRIM
6	83709	SCREW, #8 X 1/2", TORX, BLK OXIDE
7	108495-01	KNOB, OVEN
8	107761-02	KNOB, ILLUMINATED, GRIDDLE

SUB-PANEL SERVICE



ITEM NO.	PART NUMBER	DESCRIPTION
1	701977-01	ASSY, MANIFOLD, 48IN, NG
2	701977-02	ASSY, MANIFOLD, 48IN, LP
3	108598	BRACKET, THERMOSTAT
4	108507	THERMOSTAT & SWITCH
5	103705	ASY, LED/SOCKET
6	103757	RETAINING RING, LED
7	83308	6-32 KEPS NUT
8	108633	BRACKET, TIME RELAY
9	108789	TIME DELAY RELAY
10	101561-02	ASSY, VALVE, NG
11	101561-07	ASSY, VALVE, LP
12	101561-03	ASSY, VALVE, NG
13	101561-08	ASSY, VALVE, LP
14	101561-05	ASSY, VALVE, NG
15	101561-10	ASSY, VALVE, LP
16	103789	MICROSWITCH
17	106104	BOARD, LED ISOLATOR
18	108794	THERMOSTAT PIGTAIL HARNESS

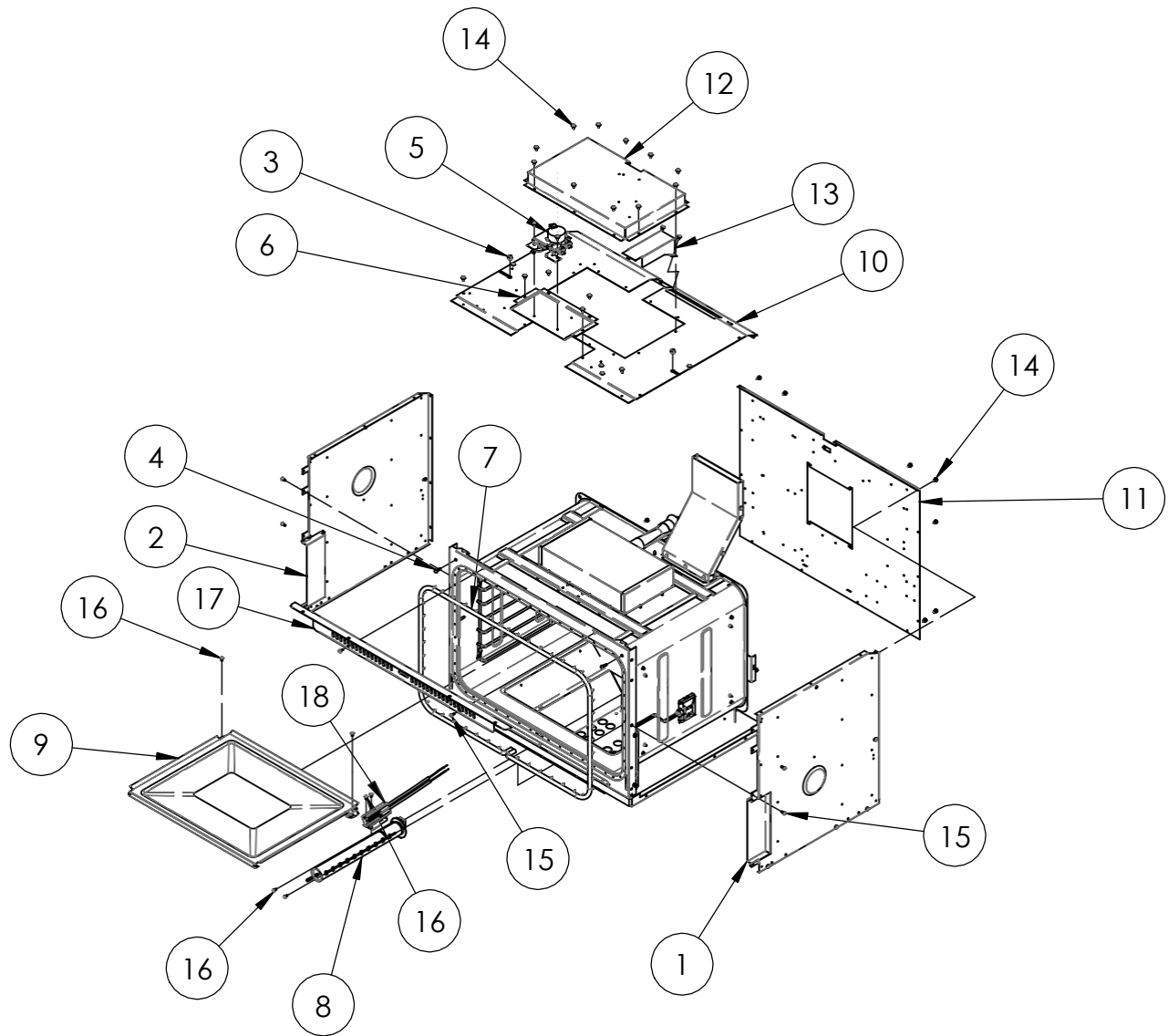
COOKTOP GAS TUBING



ITEM NO.	PART NUMBER	DESCRIPTION
1	107963-01	SUPPORT, UPPER, LH
2	107963-02	SUPPORT, UPPER, RH
3	108908	WIRE HARNESS, COOKTOP, 110 VAC
4	108909	WIRE HARNESS, COOKTOP, 5 VDC
5	108379	SET, IGNITER WIRE
6	72634	RE-IGNITION MODULE
7	107976	ENCLOSURE, IGNITER
8	100900	S.S. FLEXTUBING 3/16 X 16, M./M.
9	100579	S.S. FLEXTUBING 5/16 X 18, M./M.
10	100900	S.S. FLEXTUBING 3/16 X 16, M./M.
11	100578	S.S. FLEXTUBING 5/16 X 21, M./F.
12	100900	S.S. FLEXTUBING 3/16 X 16, M./M.

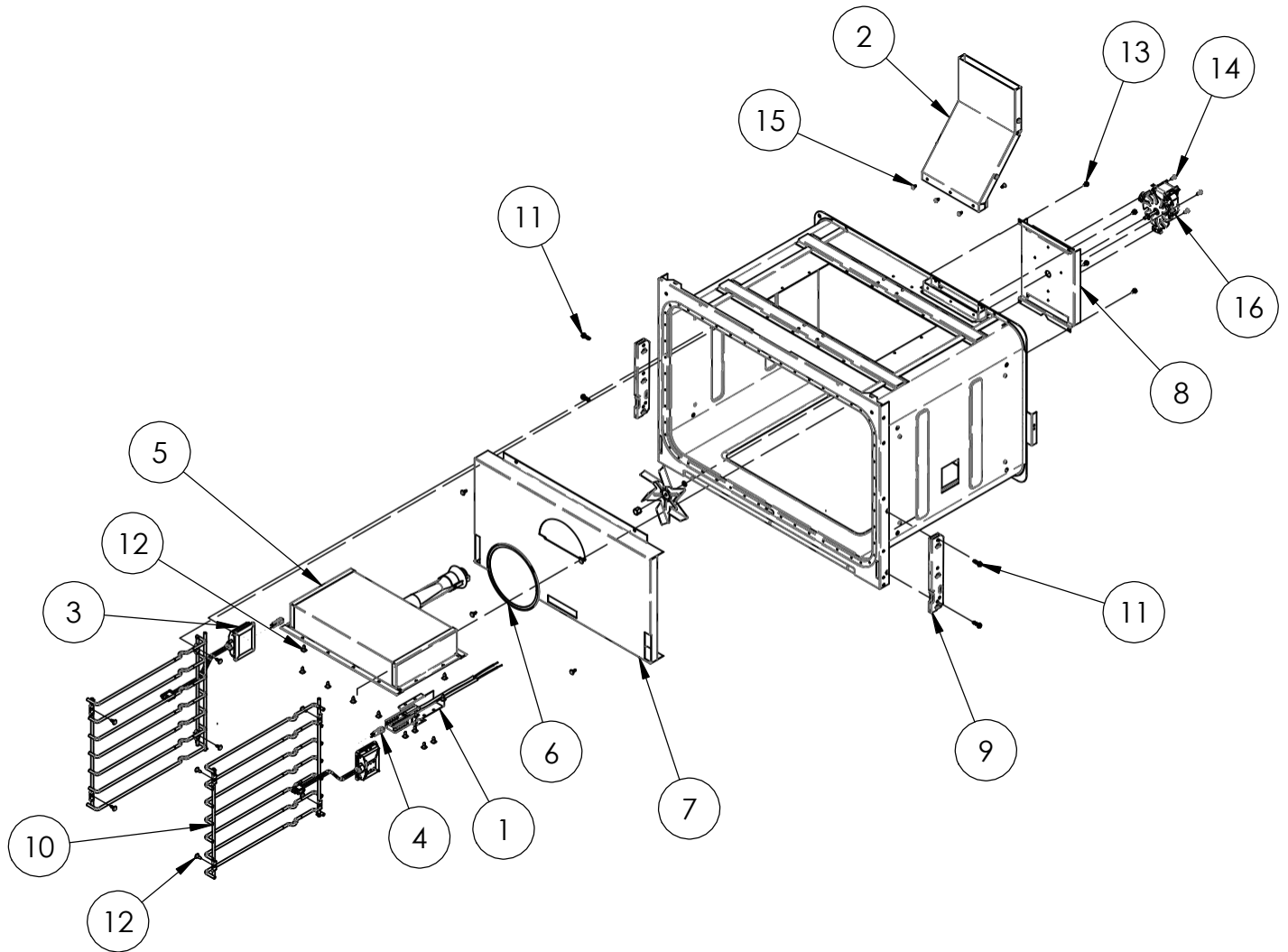
ITEM NO.	PART NUMBER	DESCRIPTION
13	100929	S.S. FLEXTUBING 3/16 X 9, M./M.
14	100900	S.S. FLEXTUBING 3/16 X 16, M./M.
15	100900	S.S. FLEXTUBING 3/16 X 16, M./M.
16	100579	S.S. FLEXTUBING 5/16 X 18, M./M.
17	83533	WASHER, .88OD X .165ID
18	83023	SCREW, SLOT HWH, #10 X 3/8
19	83001	SCREW, PHIL PAN HD, 8-32
20	107964	SUPPORT, SPILL TRAY
21	108479	AUTO RESET THERMOSTAT
22	108727	BRACKET, AUTO RESET

CASE ASSEMBLY



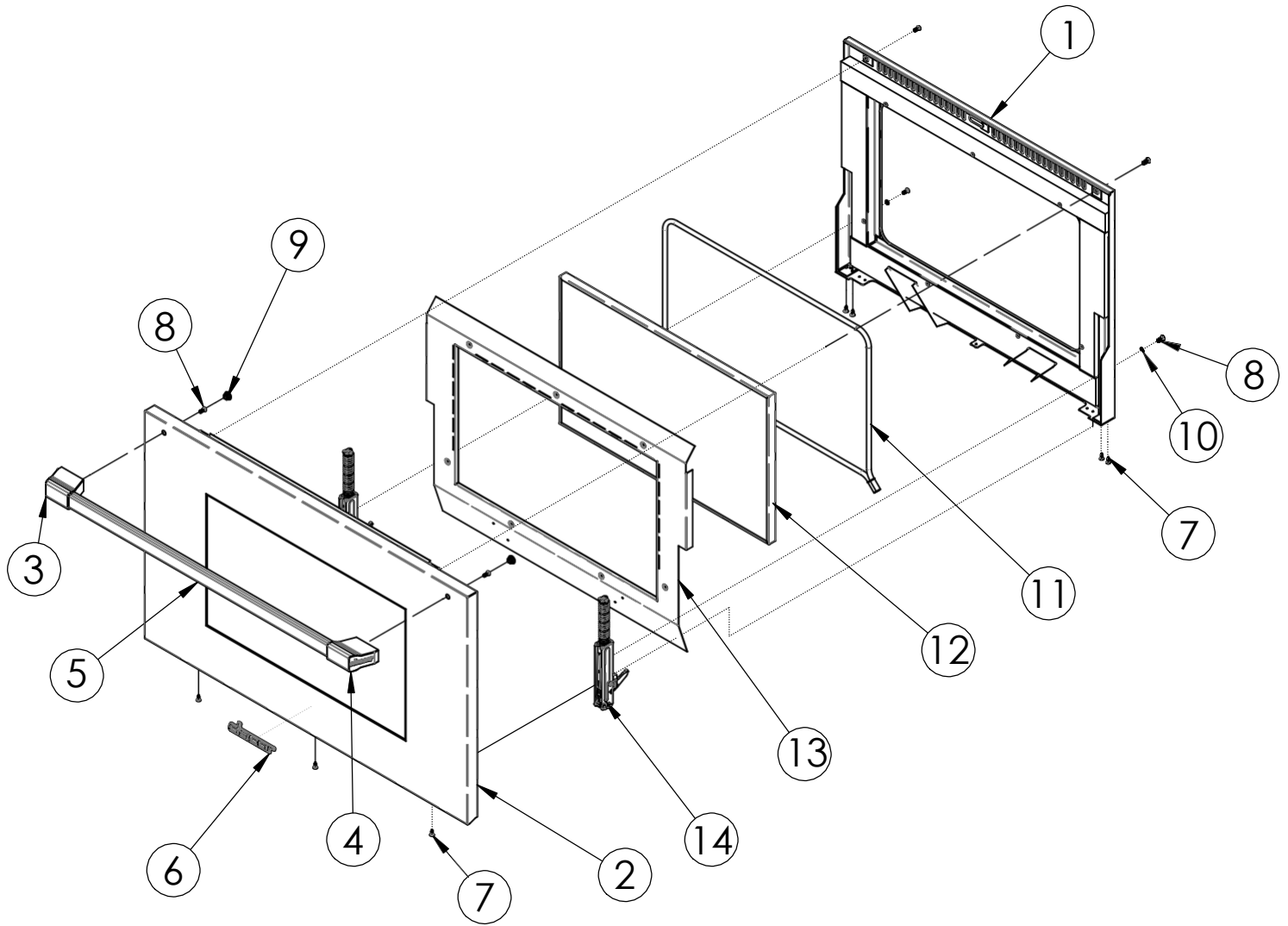
ITEM NO.	PART NO.	DESCRIPTION
1	702218	WELDMENT, CASE SIDE, RIGHT
2	702217	WELDMENT, CASE SIDE, LEFT
3	83523	BUSHING, 3/8"
4	83618	RUBBER BUMPER
5	701191	SERVICE KIT, DOOR LATCH
6	105356	LATCH PLATE
7	107743	GASKET CELL, 36"
8	103558	BAKE BURNER
9	702258	WELDMENT, BAKE PAN, 30.25IN
10	108501	TOP, CASE, 30.25IN GAS
11	108502	REAR, CASE 30.25IN GAS
12	108503	COVER, INFRARED BROIL
13	108650	COVER, BROIL TUBE
14	83023	SCREW, SLOT HWH, #10 X 3/8
15	83709	SCREW, #8 X 1/2", TORX, BLK OXIDE
16	83505	SCREW, #8X3/8, TYPE A
17	107973B	GRILL, INTAKE
18	700927	ASSY, BAKE IGNITER

CELL ASSEMBLY



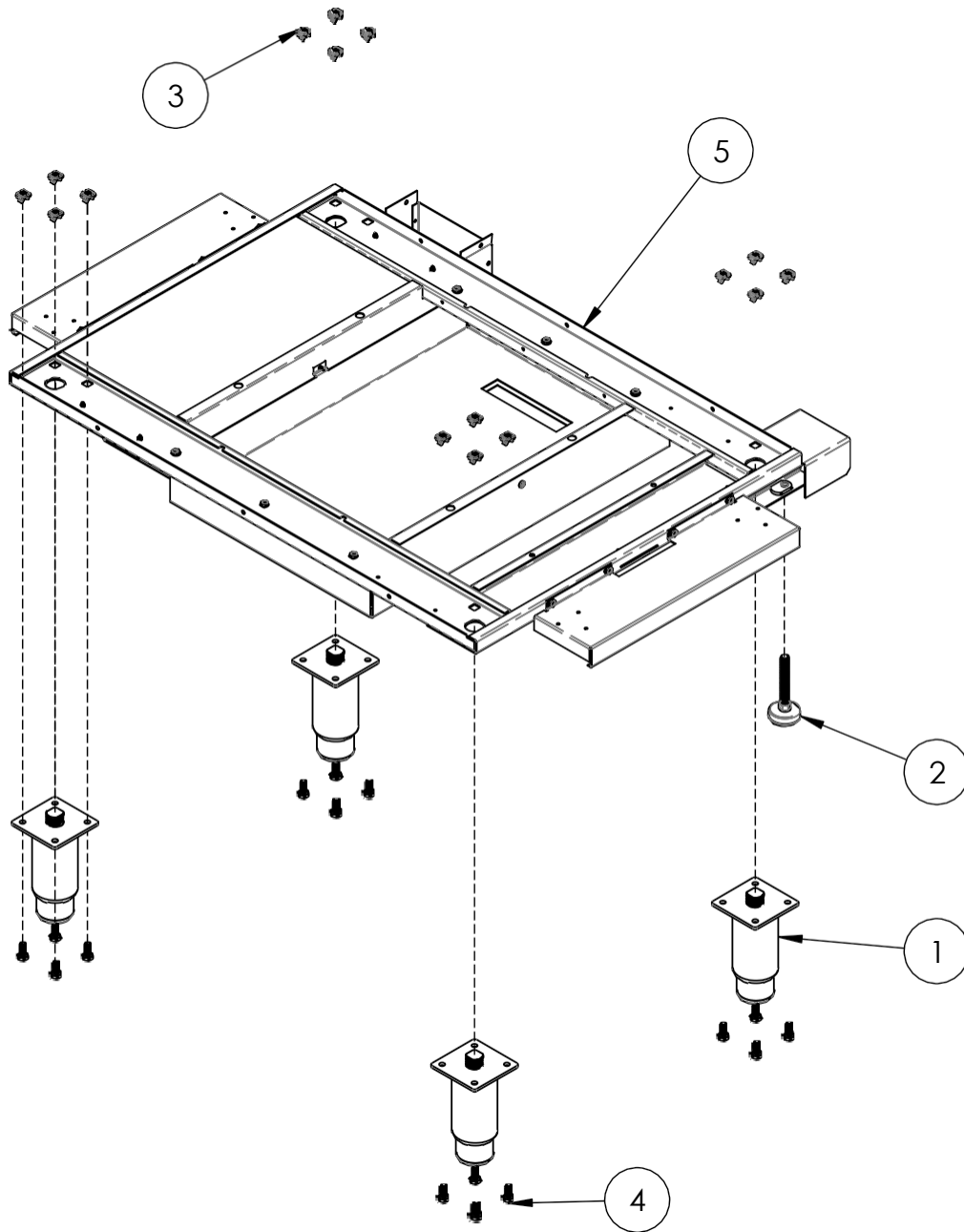
ITEM NO.	PART NUMBER	DESCRIPTION
1	702236	ASSY, BROIL IGNITER
2	702219	ASSY, DUCT, 30.25IN CELL
3	108773	ASSY, LIGHT, HALOGEN, 50W,
4	108774	BULB, HALOGEN, 50W, 130V
5	103555	BROIL BURNER
6	82891	FILTER, CONVECTION, OVEN
7	108670BP	CONVECTION BAFFLE, 30.25IN
8	36280	PLATE, MTG, CONV. MOTOR
9	107510	RECEPTACLE, HINGE
10	106991	SUPPORT RACK
11	108240	#10-32 X .75, HEX HD, MACHINE SCREW
12	83708	SCREW, TRX WFR HD, #8 X 1/2"
13	83023	SCREW, SLOT HWH, #10 X 3/8
14	83379	SCREW, #8-1/2 THREAD TYPE A
15	83505	SCREW, #8X3/8, TYPE A
16	700633	KIT, CONVECTION FAN

DOOR ASSEMBLY



ITEM NO.	PART NUMBER	DESCRIPTION	NOTES
1	702301-02	ASSY. DOOR LINER	
2	702039	ASSY, DOOR SKIN, 36IN	INCLUDES: 108053, DOOR GLASS, 30.25"
3	107815-01S	HANDLE, END CAP, LH, LOGO	
4	107815-03S	HANDLE, END CAP, RH, LOGO	
5	107781-05	36" DOOR HANDLE	
6	110169	DACOR LOGO 4.75"	
7	83709	SCREW, #8 X 1/2", TORX, BLK OXIDE	
8	83420	SCREW, BTN SHCS	
9	100376	PLUG, SKIN, DOOR, 36"	
10	83423	WASHER, BLACK FLAT	
11	100015	GASKET, WINDOW PACK, 36"	
12	72968	WINDOW PACK	
13	107366B	SHIELD, HEAT, WINDOW, BLK	
14	108805	HINGE, SPRING	

BASE ASSEMBLY



ITEM NO.	PART NUMBER	DESCRIPTION
1	700000	LEG, NEW .500" ***** Plastic Insert, Leg 66813 *****
2	106440	LEVELER, ADJUSTABLE
3	83398	NUT, RETAINER, 1/4-20 TINNEMAN
4	83397	SCREW, CAP, 1/4 -20 X 5/8
5	702237-02	ASSY, BASE