

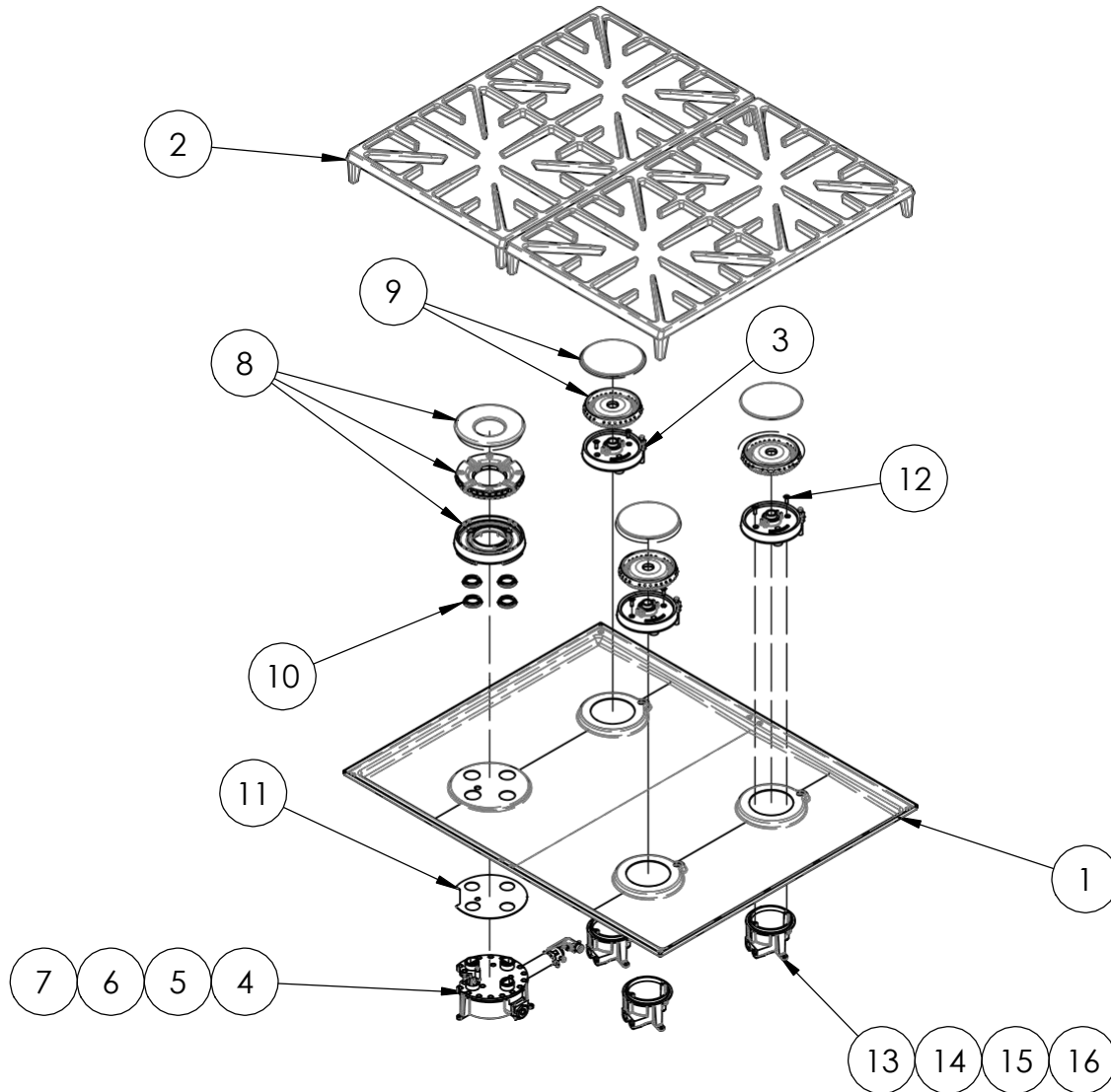
dacor

LET THE SHOW BEGIN

RNRP30G

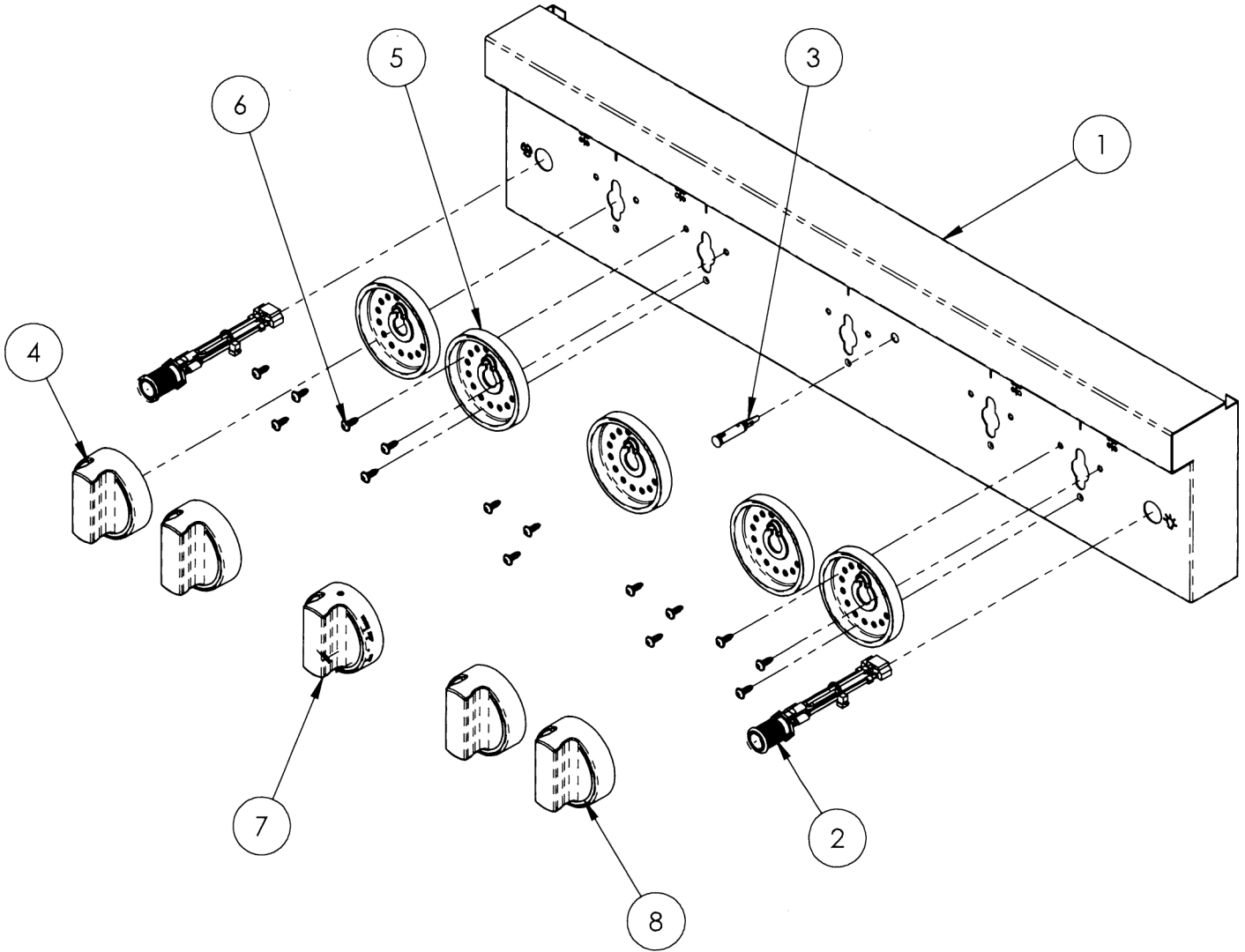


TOP FRAME



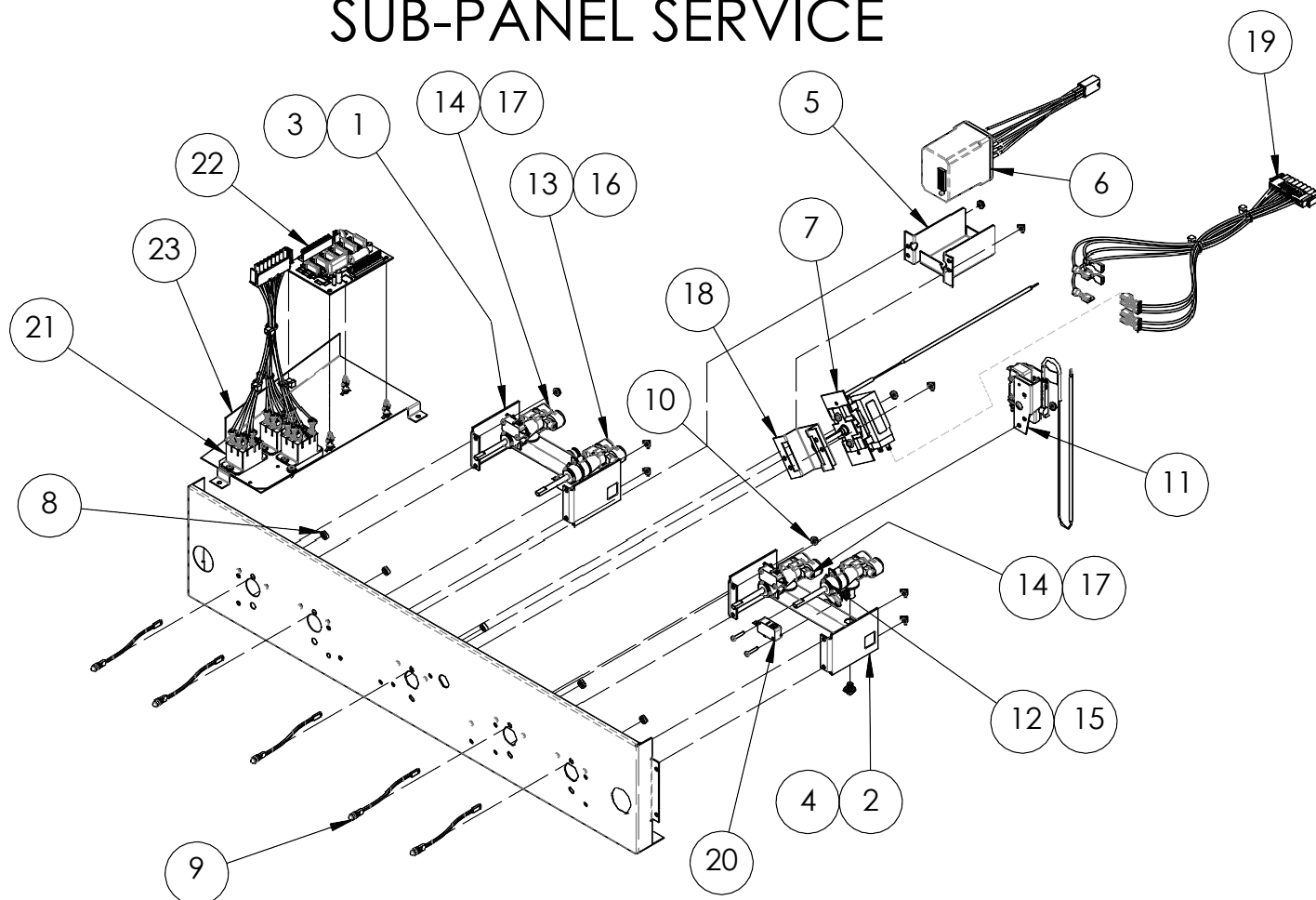
ITEM NO.	PART NUMBER	DESCRIPTION
1	108811BP	SPILL TRAY, BLACK PORCELAIN
2	101524	GRATE, 4 FINGER, 14" X 23"
3	100702	ASSY, BASE, 16K
4	701985-01	ASSY, DUAL BURNER, 18K, NG
5	701985-02	ASSY, DUAL BURNER, 18K, NGH
6	701985-03	ASSY, DUAL BURNER, 18K, LP
7	701985-04	ASSY, DUAL BURNER, 18K, LPH
8	100703	PACK, BURNER RING/CAP/BASE, 18K BTU
9	700493	PACK, BURNER RING/BURNER CAP, 16K BTU
10	700017	BRASS RING M22 X 1
11	700145	GASKET, DUAL BURNER, GRAPHITE
12	100439	SCREW, #8-32 X 1/2, TORX, C-SINK
13	701989-01	ASSY., INJECTOR HOLDER, 15K, NG
14	701989-02	ASSY, INJECTOR HOLDER, 15K, LP
15	701989-03	ASSY., INJECTOR HOLDER, 15K, NGH
16	701989-04	ASSY, INJECTOR HOLDER, 15K, LPH

CONTROL PANEL



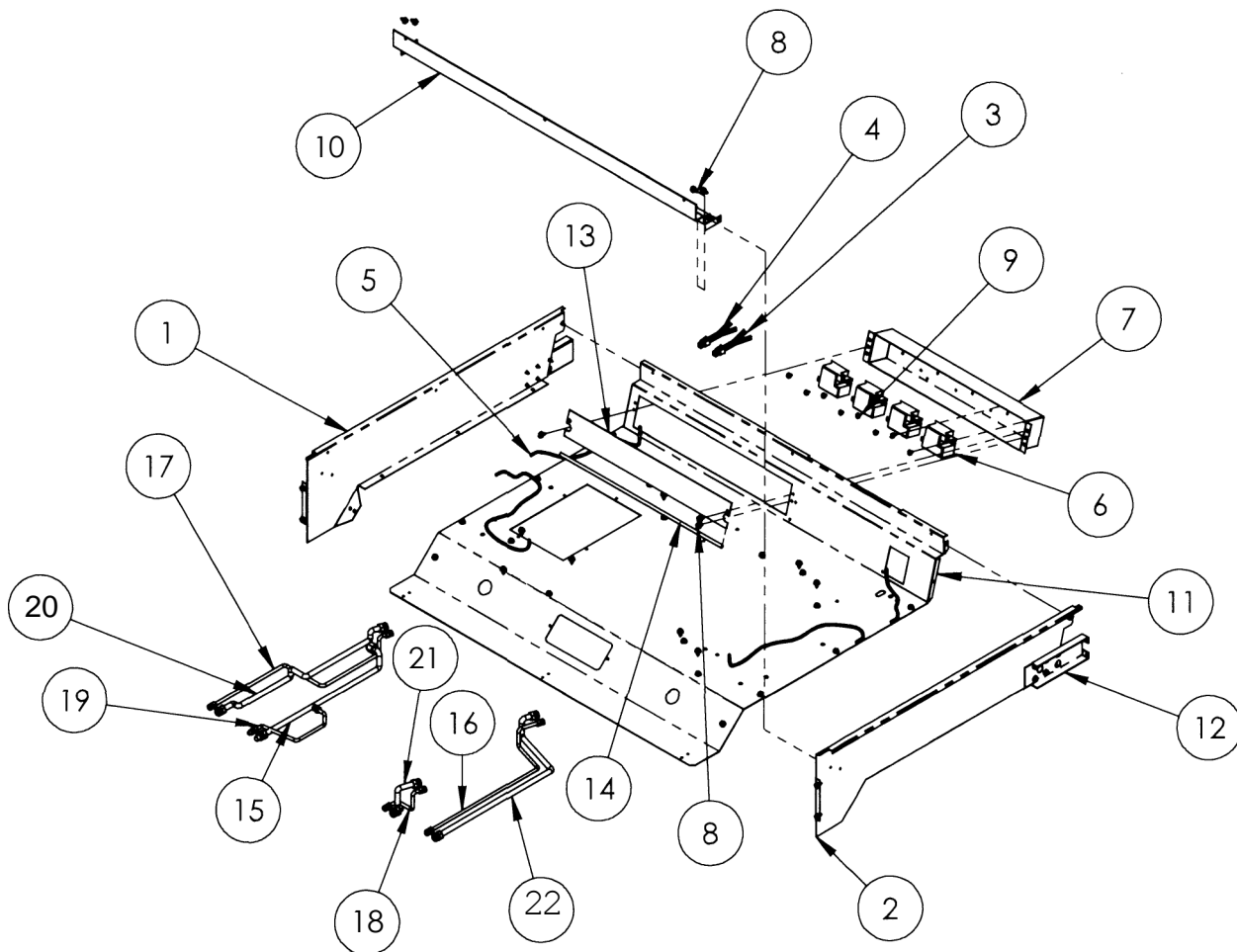
ITEM NO.	PART NUMBER	DESCRIPTION
	702261E	WELDMENT, CTRL PANEL, ETCHED
2	701730	ASY, SWITCH-PIGTAIL
3	103690	OVEN INDICATOR LIGHT
4	10776 -01	KNOB, ILLUMINATED, SIMMER
5	1077625	RING, TRIM
6	83709	SCREW, #8 X 1/2", TORX, BLK OXIDE
7	108495	KNOB, OVEN
8	107761-02	KNOB, ILLUMINATED, GRIDDLE

SUB-PANEL SERVICE



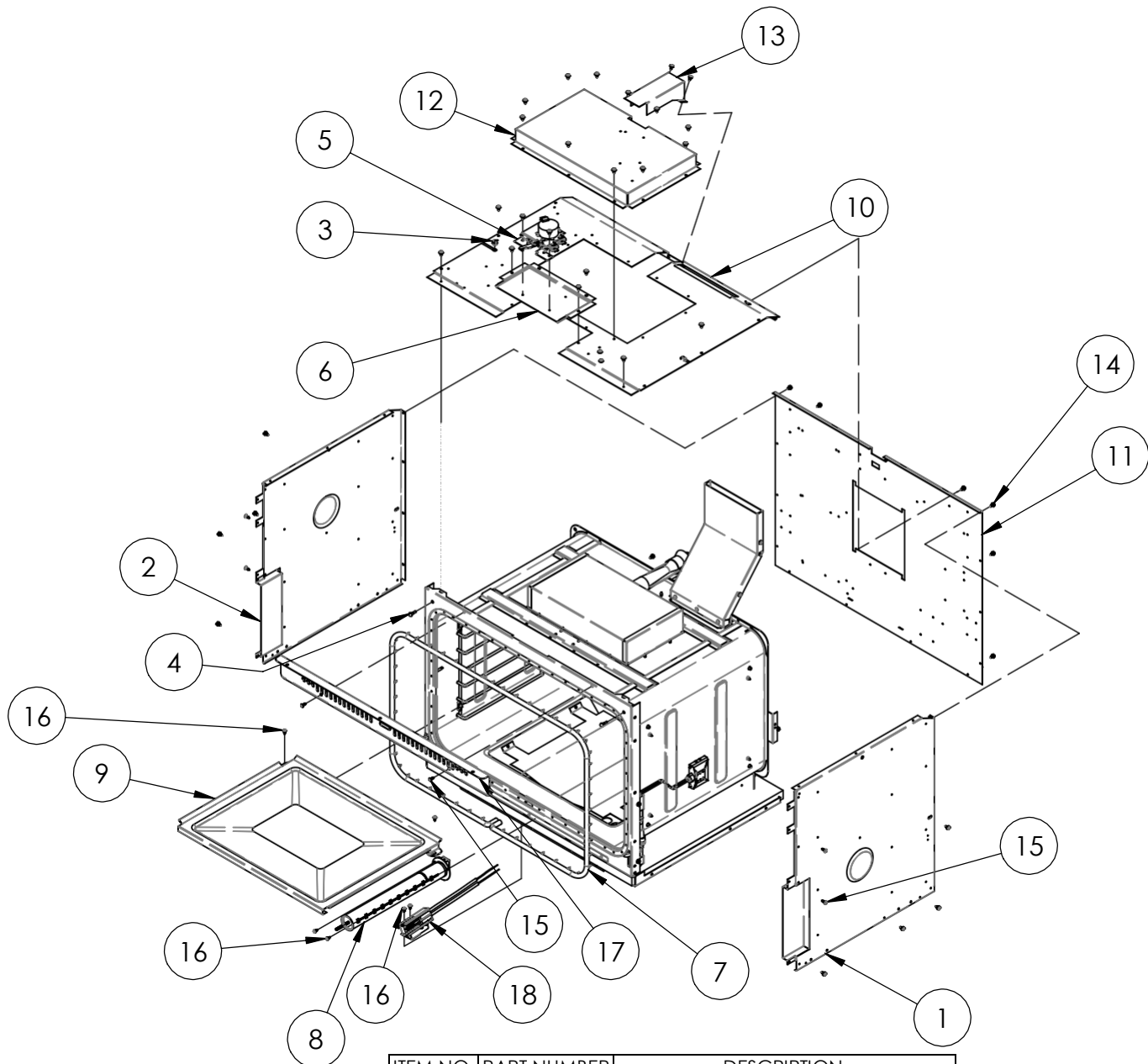
ITEM NO.	PART NUMBER	DESCRIPTION
1	702260-01	ASSY, MANIFOLD, 48IN, NG
2	702260-02	ASSY, MANIFOLD, 48IN, NG
3	702260-03	ASSY, MANIFOLD, 48IN, LP
4	702260-04	ASSY, MANIFOLD, 48IN, LP
5	108633	BRACKET, TIME RELAY
6	108789	TIME DELAY RELAY
7	702296	ASSY, THERMOSTAT
8	103757	RETAINING RING, LED
9	108411	ASSY, BRIGHTER LED/SOCKET
10	83308	6-32 KEPS NUT
11	108479	AUTO RESET THERMOSTAT
12	101561-02	VALVE, 16,000 BTU, LH NG
13	101561-03	VALVE, 18,000 BTU, NG
14	101561-05	VALVE, 16,000 BTU, RH, NG
15	101561-07	VALVE, 16,000 BTU, LH, LP
16	101561-08	VALVE, 18,000 BTU, LP
17	101561-10	VALVE, 16,000 BTU, RH, LP
18	108598	BRACKET, THERMOSTAT
19	108794	THERMOSTAT PIGTAIL HARNESS
20	103789	MICROSWITCH
21	702229-02	ASSY, INTERLOCK RELAY W/PIGTAIL
22	106104	BOARD, LED ISOLATOR
23	108638	BASE ELECTRONICS

COOKTOP GASTUBING



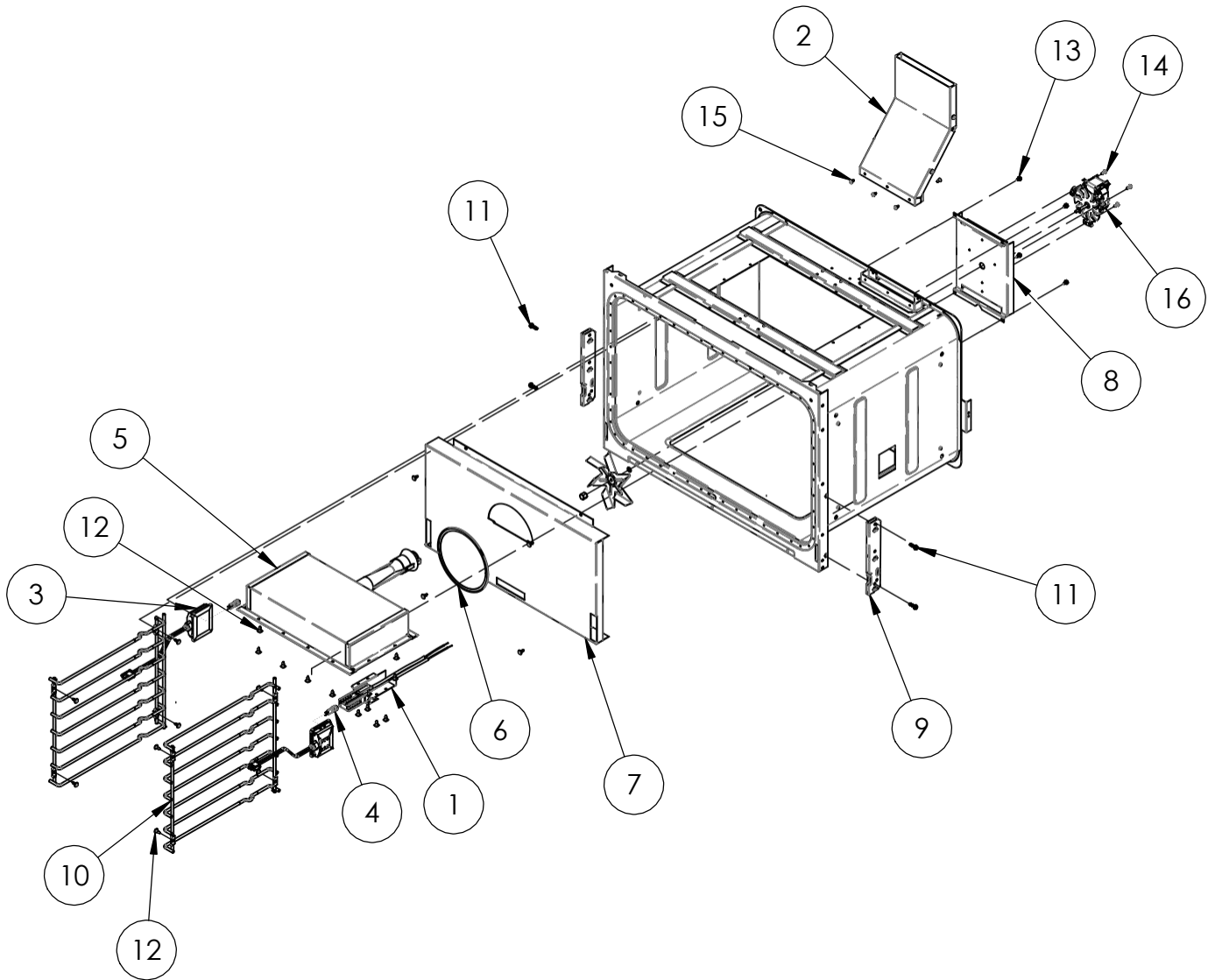
ITEM NO.	PART NUMBER	DESCRIPTION
1	107963-01	SUPPORT, UPPER, LH
2	107963-02	SUPPORT, UPPER, RH
3	108871	WIRE HARNESS, COOKTOP, 110 VAC
4	108872	WIRE HARNESS, COOKTOP, 5 VDC
5	108895	SET, IGNITER WIRE
6	72634	RE-IGNITION MODULE
7	108686	ENCLOSURE, ICNITER
8	83023	SCREW, SLOT HWH, #10 X3/8
9	83001	SCREW, PHIL PAN HD, 8 x 1/4"
10	108707	SUPPORT, SPILL TRAY
11	108685	CHASSIS, BASE
12	108687	SUPPORT, SIDE, UPPER
13	108743	SHIELD, IGNITER
14	62350	TRIM EDGE, INCHES
5	00578	FLEX TUBING 5/ 6", MXM 2"
16	100900	FLEX TUBE, 3/16" OD MM-16
17	100580	ALEX TUBING 3/16", MXM18"
18	100900	FLEX TUBE, 3/16" OD MM-16
19	100929	S.S. FLEXTUBING 3/16 X 9, M./M.
20	100579	S.S. FLEXTUBING 5/16 X 18, M./M.
21	100927	S.S. FLEXTUBING 5/16 X 9, M./M.
22	100579	S.S. FLEXTUBING 5/16 X 18, M./M.

CASE ASSEMBLY



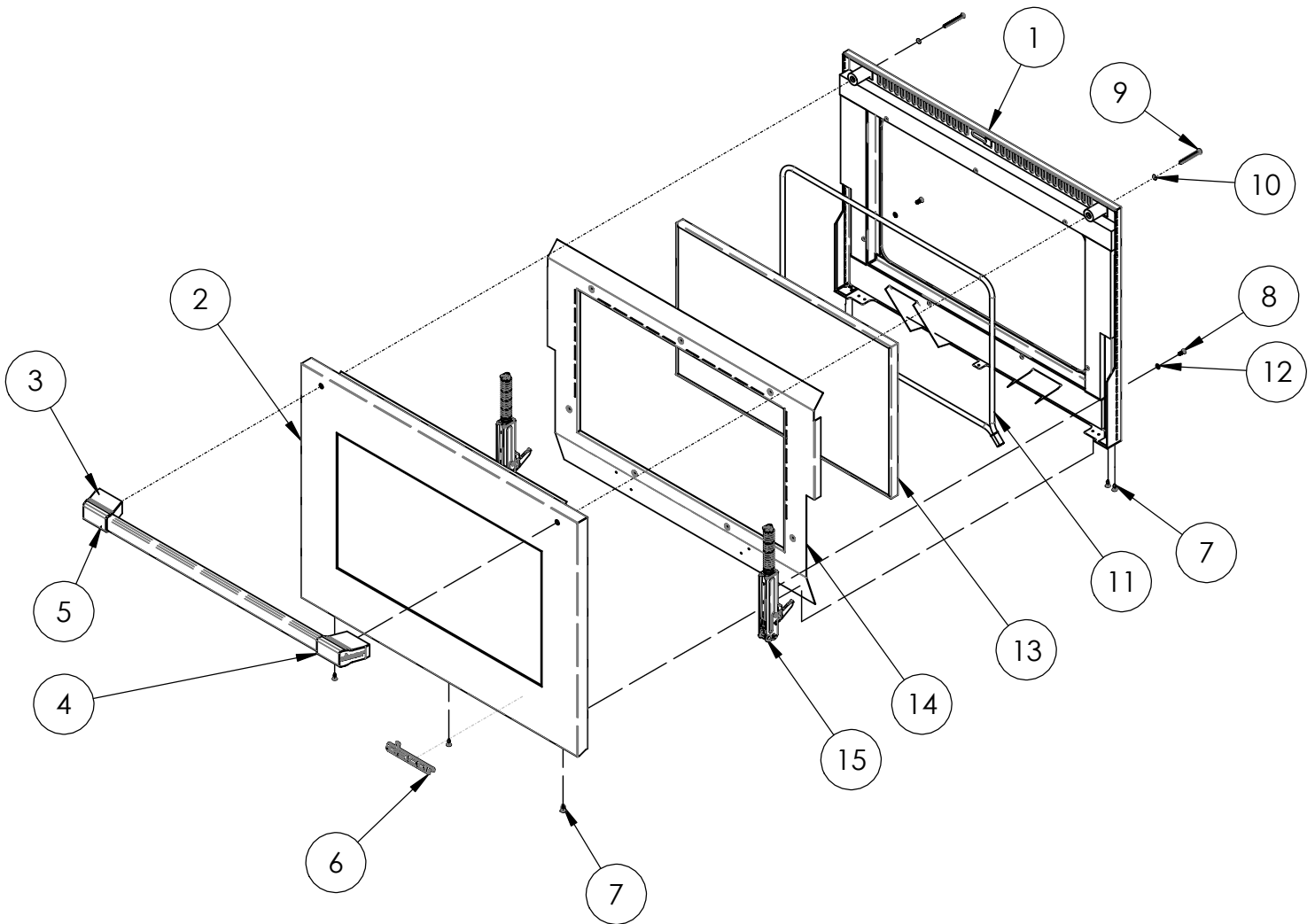
ITEM NO.	PART NUMBER	DESCRIPTION
1	702218	WELDMENT, CASE SIDE, RIGHT
2	702217	WELDMENT, CASE SIDE, LEFT
3	83523	BUSHING, 3/8"
4	83618	RUBBER BUMPER
5	701191	SERVICE KIT, DOOR LATCH
6	105356	LATCH PLATE
7	107743	GASKET CELL, 36"
8	103558	BAKE BURNER
9	702258	WELDMENT, BAKE PAN, 30.25IN
10	108501	TOP, CASE, 30.25IN GAS
11	108502	REAR, CASE 30.25IN GAS
12	108503	COVER, INFRARED BROIL
13	108650	COVER, BROIL TUBE
14	83023	SCREW, SLOT HWH, #10 X 3/8
15	83709	SCREW, #8 X 1/2", TORX, BLK OXIDE
16	83505	SCREW, #8X3/8, TYPE A
17	108742	GRILL, INTAKE
18	700927	ASSY, BAKE IGNITER

CELL ASSEMBLY



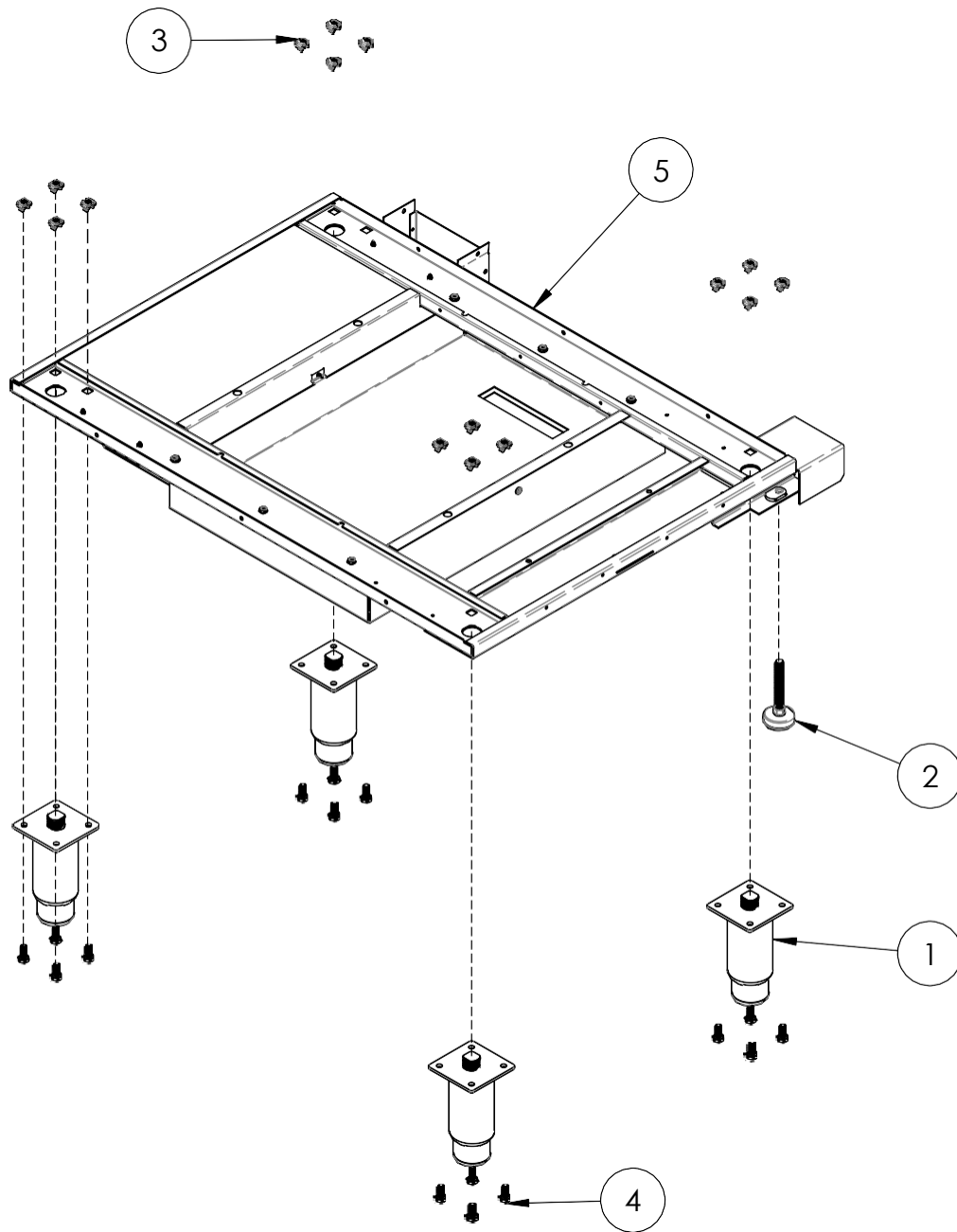
ITEM NO.	PART NUMBER	DESCRIPTION
1	702236	ASSY, BROIL IGNITER
2	702219	ASSY, DUCT, 30.25IN CELL
3	108773	ASSY, LIGHT, HALOGEN, 50W,
4	108774	BULB, HALOGEN, 50W, 130V
5	103555	BROIL BURNER
6	82891	FILTER, CONVECTION, OVEN
7	108670BP	CONVECTION BAFFLE, 30.25IN
8	36280	PLATE, MTG, CONV. MOTOR
9	107510	RECEPTACLE, HINGE
10	106991	SUPPORT RACK
11	108240	#10-32 X .75, HEX HD, MACHINE SCREW
12	83708	SCREW, TRX WFR HD, #8 X 1/2"
13	83023	SCREW, SLOT HWH, #10 X 3/8
14	83379	SCREW, #8-1/2 THREAD TYPE A
15	83505	SCREW, #8X3/8, TYPE A
16	700633	KIT, CONVECTION FAN

DOOR ASSEMBLY



ITEM NO.	PART NUMBER	DESCRIPTION	NOTES
1	702301-01	ASSY, DOOR LINER	
2	701904	ASSY, DOOR SKIN	INCLUDES: 108053, DOOR GLASS, 30.25"
3	107815-01S	HANDLE, END CAP, LH, LOGO	
4	107815-03S	HANDLE, END CAP, RH, LOGO	
5	107781-04	30" DOOR HANDLE	
6	110169	DACOR LOGO 4.75"	
7	83709	SCREW, #8 X 1/2", TORX, BLK OXIDE	
8	83420	SCREW, BTN SHCS, #10-32x1/2	
9	100026	SCREW, #10-32 X 2.000, TORX, PAN HEAD	
10	83340	#10 LOCK WASHER	
11	100015	GASKET, WINDOW PACK, 36"/48"	
12	83432	WASHER, BLACK, FLAT	
13	72968	WINDOW PACK, 30.25"	
14	108331B	SHIELD, HEAT, 30.25"	
15	108006	HINGE, SPRING	

BASE ASSEMBLY



ITEM NO.	PART NUMBER	DESCRIPTION
1	700000	LEG, NEW .500"
2	106440	LEVELER, ADJUSTABLE
3	83398	NUT, RETAINER, 1/4-20 TINNEMAN
4	83397	SCREW, CAP, 1/4 -20 X 5/8
5	702237-01	ASSY, BASE

*****Plastic Insert, Leg 66813***** (not shown)