

dacor®

The Life of the Kitchen.®

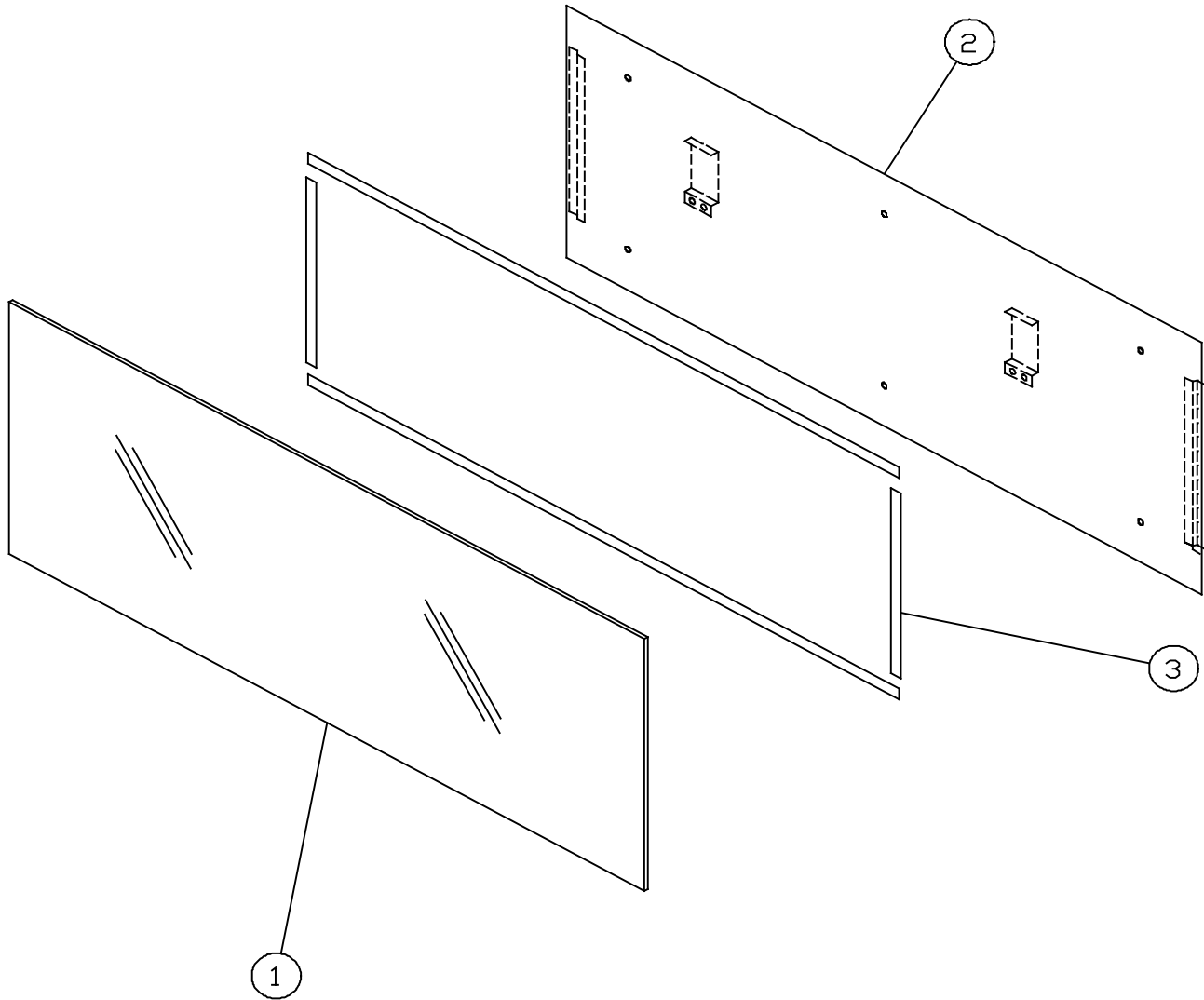
PARTS CATALOG

PWO Warming Drawer

Page	Description
2	Glass Backing Panel Assembly
3	Drawer Assembly
4	Front Frame Assembly
5	Chassis Bottom
6	Chassis Top

Revised 08-18-2014

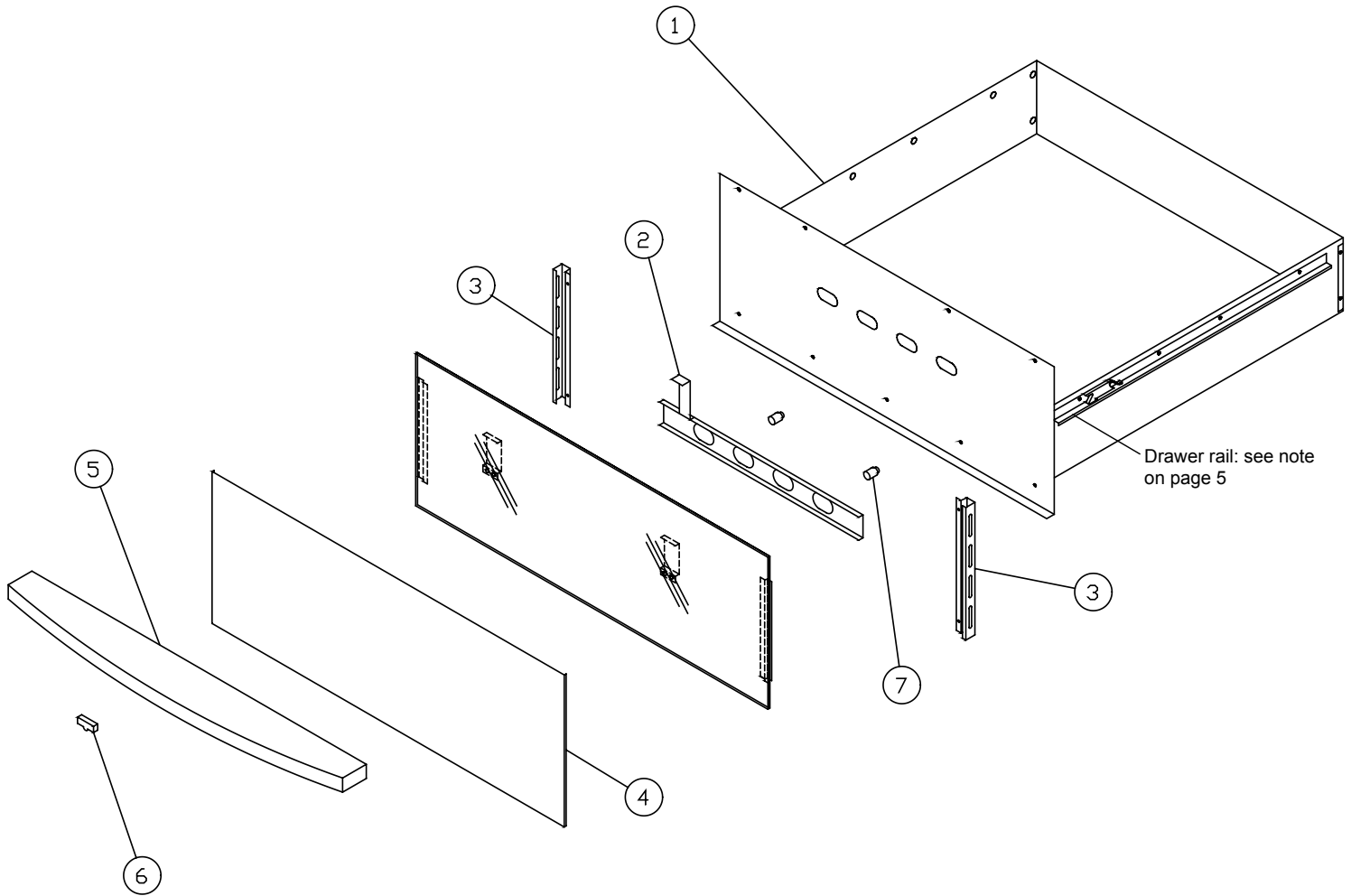
PWO - Backing Panel Assy



Item	Description	PWO24	PWO27	PWO30
1	DRAWER FRONT GLASS	82273B,R,S	82274B,R,S	82517B,R,S
2	GLASS BACKING PANEL	13161B,R	13162B,R	13187B,R
3	DOUBLE SIDE TAPE	83224	83224	83224

Color Key: B = black, R = arctic, S= Stainless

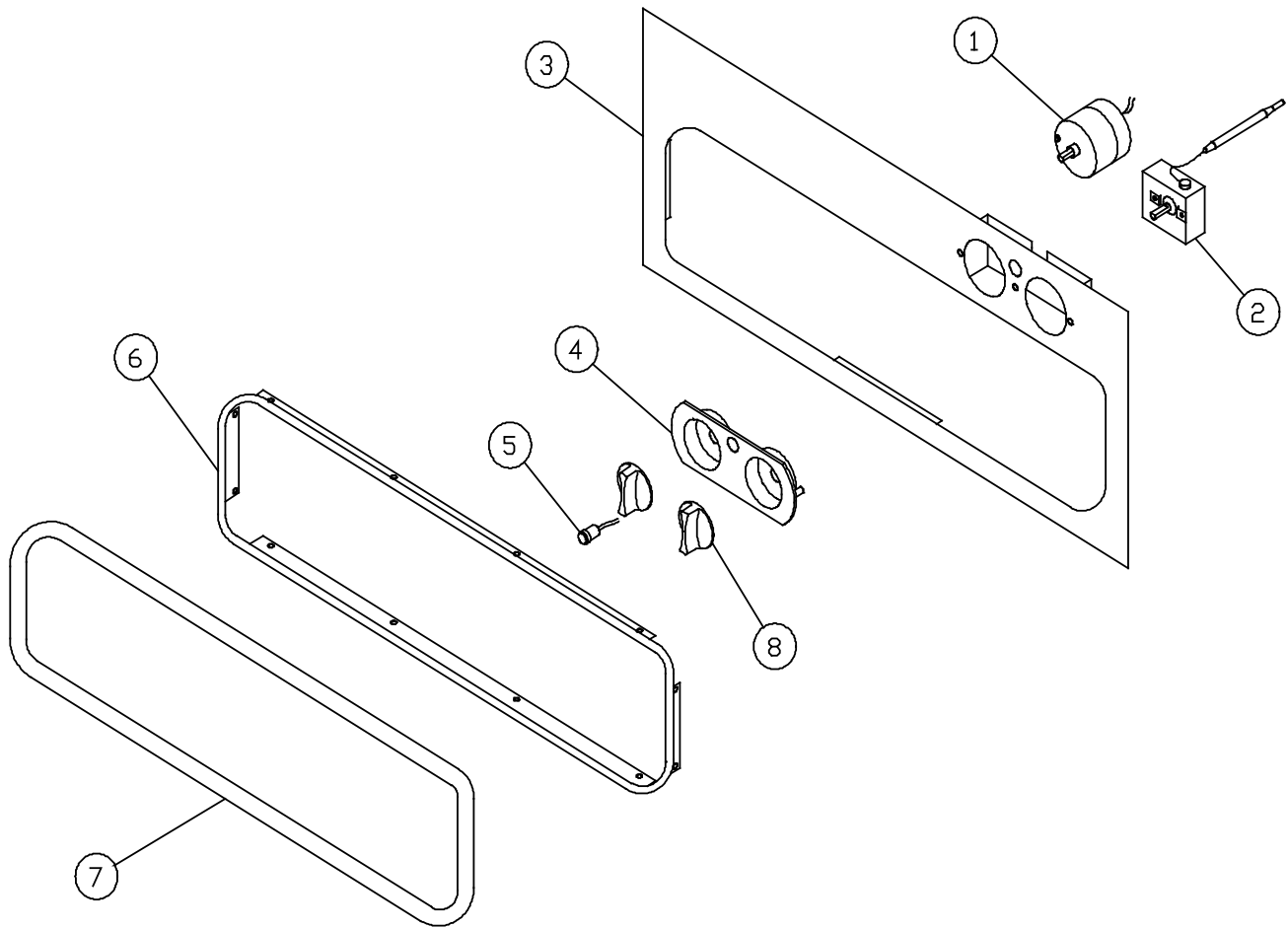
PWO - Drawer Assembly



Item	Description	PWO24	PWO27	PWO30
1	DRAWER ASSEMBLY	13001	13002	13189
2	DAMPER SLIDE ASSEMBLY	27635	27636	27636
3	SIDE POST	82352B,R	82352B,R	82352B,R
4	DRAWER SKIN (STAINLESS)	26678	26679	36014
5	HANDLE	62656B,R	62657B,R	62658B,R
6	DAMPER KNOB	82266G	82266G	82266G
7	RUBBER BUMPER	83578	83578	83578

Color Key: B = black, R = arctic

PWO - Front Frame Assembly

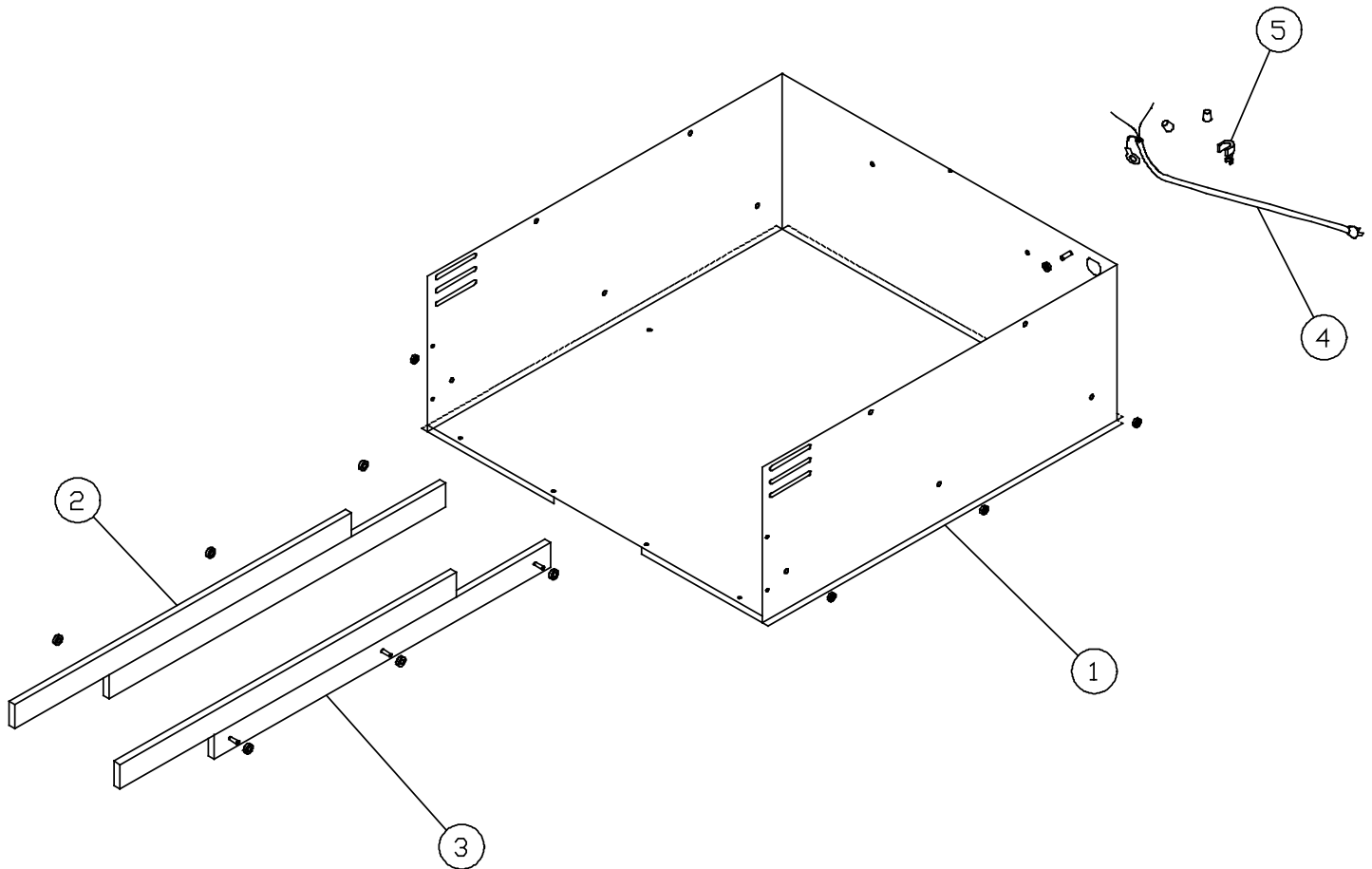


Item	Description	PWO24	PWO27	PWO30
1	TIMER ASSEMBLY	72889 ¹	72889 ¹	72889 ¹
2	THERMOSTAT	62734	62734	62734
3	FRONT FRAME	27215B,R	27216B,R	27142B,R
4	CONTROL PANEL BEZEL	62786B,G	62786B,G	62786B,G
5	OVERRIDE SWITCH	72880 ¹	72880 ¹	72880 ¹
6	GASKET RETAINING TRIM	26680	26681	26681
7	DRAWER GASKET	82271G	82280G	82280G
8	TIMER/TEMP CONTROL KNOB	82267B/G	82267B/G	82267B/G

Color Key: B = black, R = arctic,

¹Timer switch and override switch must be replaced at the same time. Order kit # 701444.

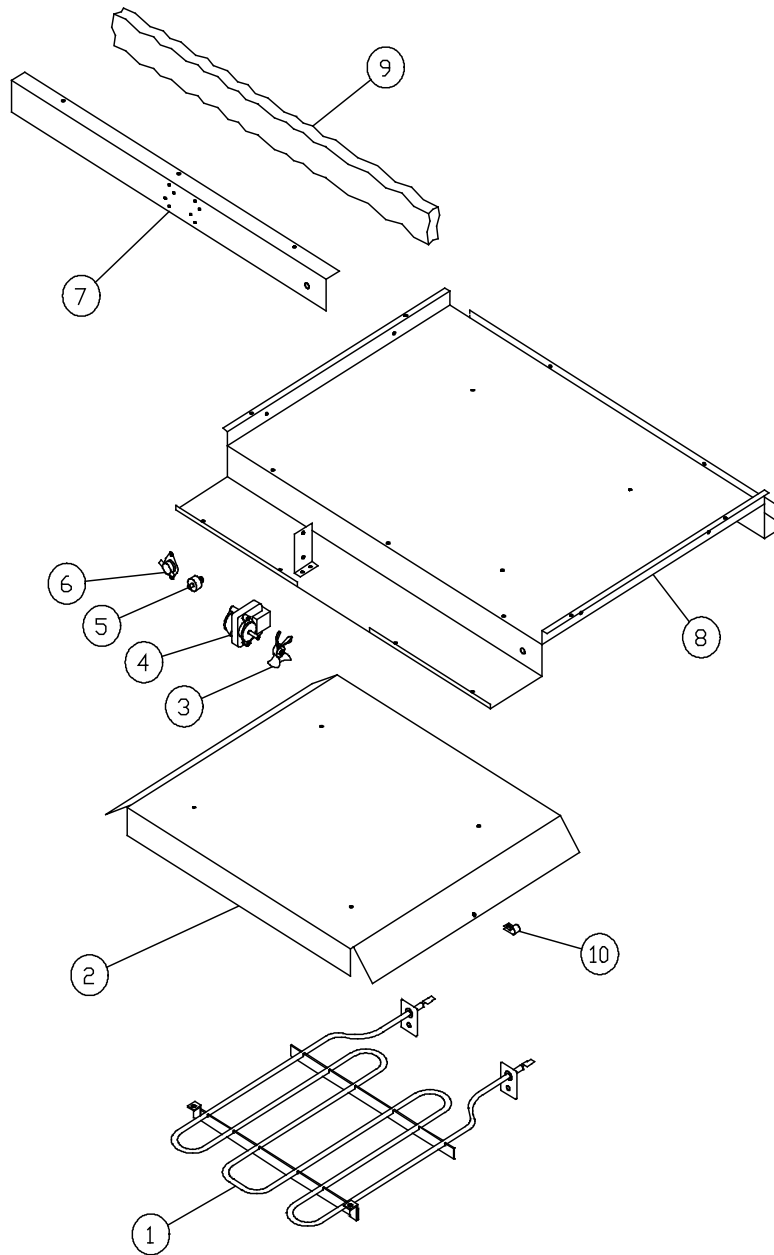
PWO - Chassis Bottom



Item	Description	PWO24	PWO27	PWO30
1	CABINET WELDMENT	27206	27204	27204
2	SLIDE KIT*	702146	702146	702146
3				
4	POWER SUPPLY CORD	82562	82562	82562
5	STRAIN RELIEF BUSHING	83141	83141	83141

* The original slides for this appliance have been discontinued. Slide kit 702146 includes 2 new slides of a different design. Installation of the new slides requires replacement of the drawer rails (also included, see page 3 for location) for a proper fit.

PWO - Chassis Top



Item	Description	PWO24	PWO27	PWO30
1	HEATING ELEMENT	82351	82351	82351
2	REFLECTOR	26668	26668	26668
3	COOLING FAN BLADE	82277	82277	82277
4	COOLING FAN MOTOR	82276	82276	82276
5	HIGH TEMPERATURE LIMIT	82353	82353	82353
6	THERMAL FAN SWITCH	82354	82354	82354
7	INSULATION COVER	26672	26673	26673
8	TOP CAN ASSEMBLY	27221	27222	27222
9	CONTROL INSULATION	82625	82627	82627
10	THERMOSTAT CLIP	83436	83436	83436