

dacor[®]

The Life of the Kitchen.[®]

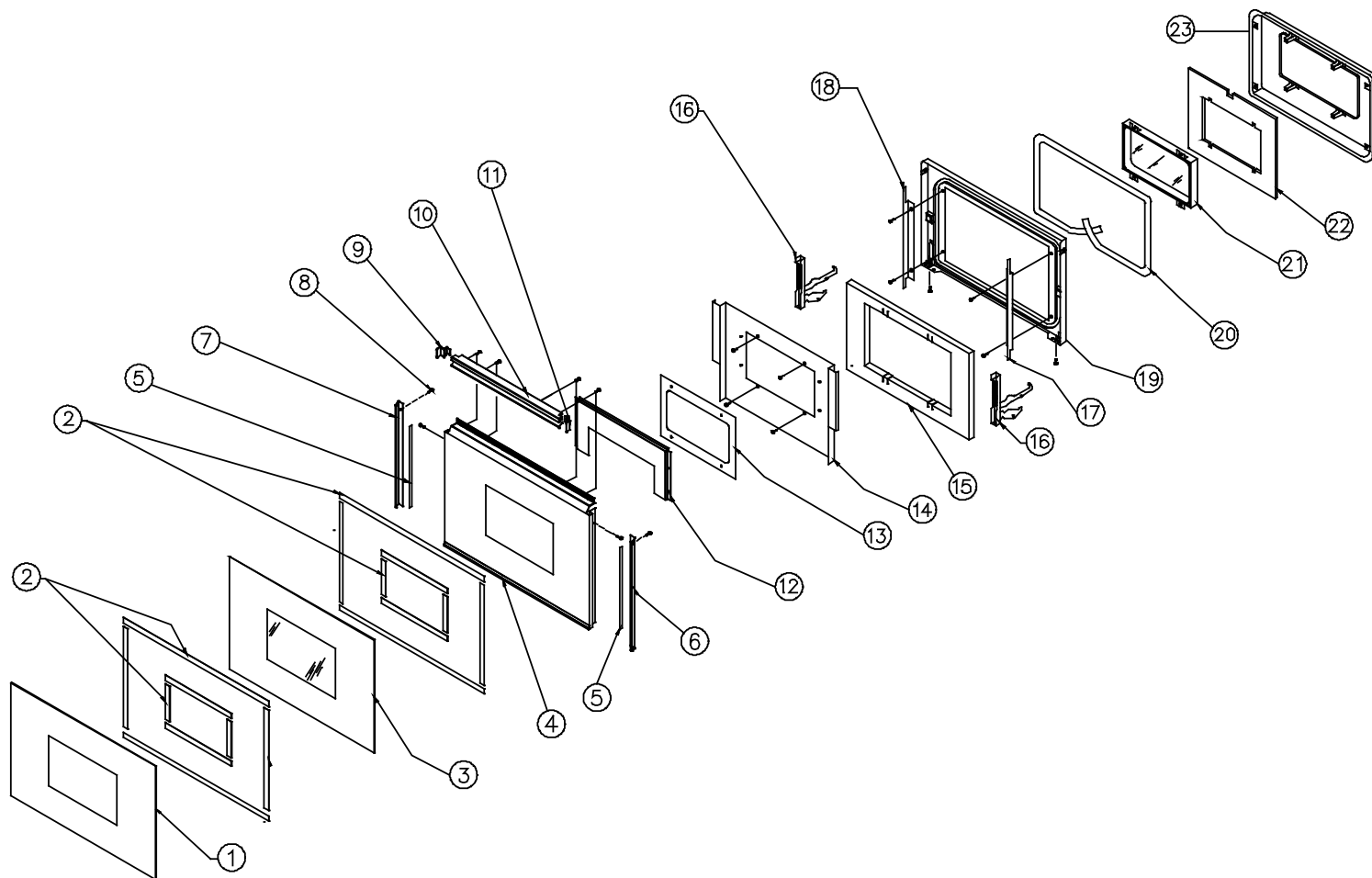
PARTS CATALOG

MRES30S Range

| Page # | Description |
|---------------|----------------------|
| 2 | Door Assembly |
| 3 | Case Assembly |
| 4 | Top Assembly |
| 5 | Cell Assembly |
| 6 | Base Assembly |

Revised 09-13-2013

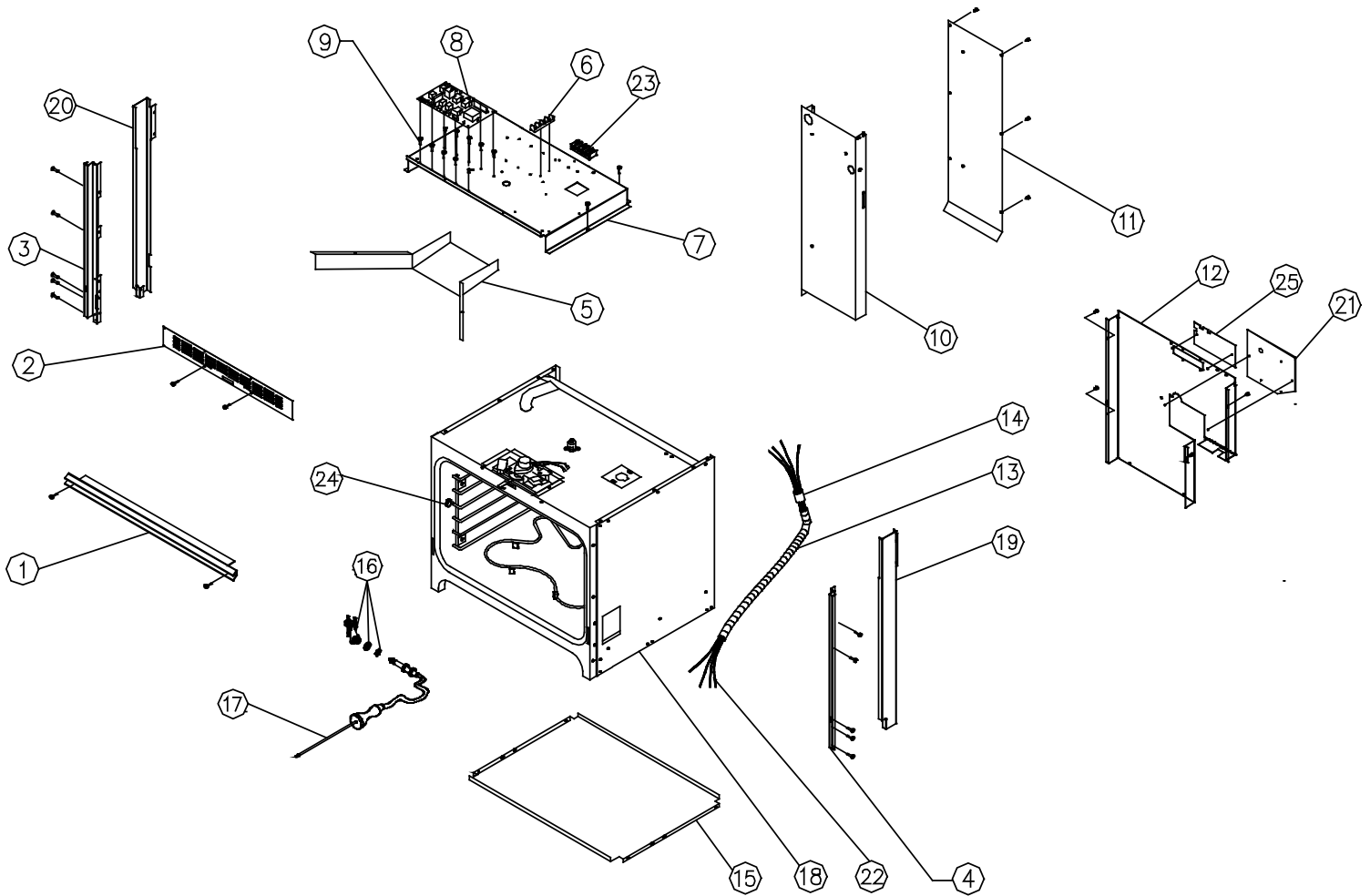
MRES30S Range Door Assembly



| Item | Part # | Description |
|------|--------|----------------------------|
| 1 | 36306 | STAINLESS PANEL |
| 2 | 83577 | TAPE, DBL SIDED |
| 3 | 62124B | DOOR GLASS |
| 4 | 27609B | DOOR FRAME |
| 5 | 83452 | TAPE, DBL SIDED |
| 6 | 26981 | DOOR EDGE TRIM, SS, RH |
| 7 | 26980 | DOOR EDGE TRIM, SS, LH |
| 8 | 83618 | RUBBER BUMPER |
| 9 | 36302 | END CAP, LEFT, MC, HANDLE |
| 10 | 62695S | HANDLE |
| 11 | 36303 | END CAP, RIGHT, MC, HANDLE |
| 12 | 36622 | HEAT SHIELD |

| Item | Part # | Description |
|------|---------|-----------------------------|
| 13 | 36377BP | WINDOW MASK |
| 14 | 36620 | HEAT SHIELD |
| 15 | 80207 | INSULATION, DOOR |
| 16 | 82508 | HINGE |
| 17 | 36618 | SIDE SHIELD, RIGHT |
| 18 | 36617 | SIDE SHIELD, LEFT |
| 19 | 27460BP | OUTER LINER ASSEMBLY |
| 20 | 72020 | DOOR GASKET |
| 21 | 72148 | ASSY. WINDOW PACK |
| 22 | 80213 | INSULATION, OUTER LINER |
| 23 | 27728BP | ASSY. INNER LINER, 30" DOOR |

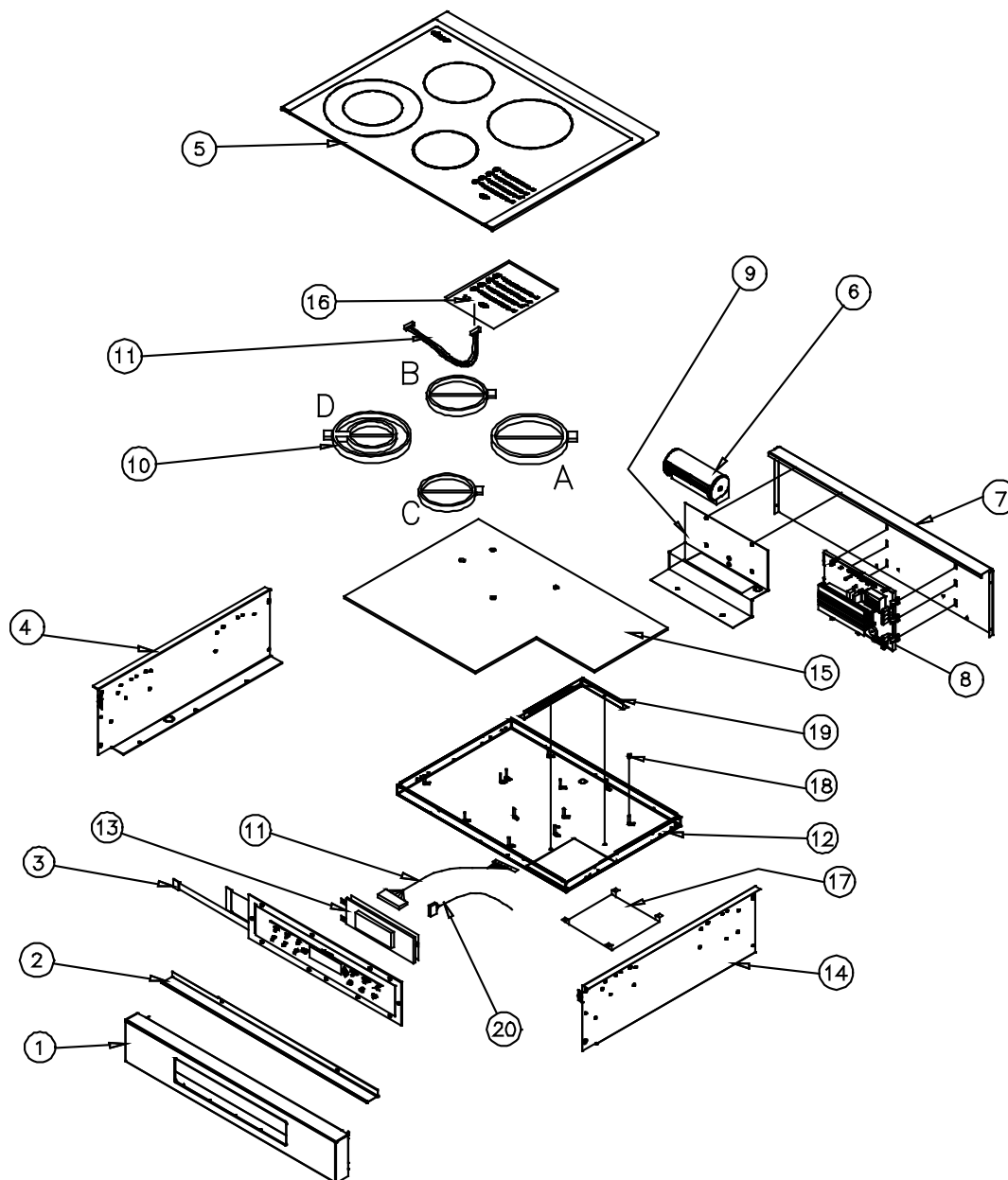
MRES30S Range Case Assembly



| Item | Part # | Description |
|------|--------|---------------------|
| 1 | 26069S | EXHAUST GRILL |
| 2 | 36819 | INTAKE GRILL |
| 3 | 36820 | TRIM POST, LEFT |
| 4 | 36821 | TRIM POST, RIGHT |
| 5 | 27455 | TRANSITION DUCT |
| 6 | 102384 | TERMINAL BLOCK |
| 7 | 36546 | SUB-CHASSIS |
| 8 | 92028 | RELAY PCB |
| 9 | 83538 | SUPPORT, NYLON, PCB |
| 10 | 26085 | EXHAUST DUCT |
| 11 | 26084 | COVER EXHAUST DUCT |
| 12 | 36996 | BACK COVER |
| 13 | 26420 | CONDUIT 1/2" |

| Item | Part # | Description |
|------|--------|-------------------------------|
| 14 | 83059 | CONNECTOR, 1/2" FLEX STRAIGHT |
| 15 | 26034 | HEAT SHIELD , STORAGE |
| 16 | 62714 | MEAT PROBE SOCKET |
| 17 | 62713 | MEAT PROBE |
| 18 | 12582 | OVEN ASSEMBLY |
| 19 | 13426S | ASSY 3", SIDE PANEL, RH, SS |
| 20 | 13425S | ASSY 3", SIDE PANEL, LH, SS |
| 21 | 36912 | BACK COVER PLATE |
| 22 | 72703 | WIRE HARNESS |
| 23 | 62052 | TERMINAL BLOCK |
| 24 | 72171 | MEAT PROBE CONN. W/COVER |
| 25 | 26027 | PLATE, SPARK BOX MTG |

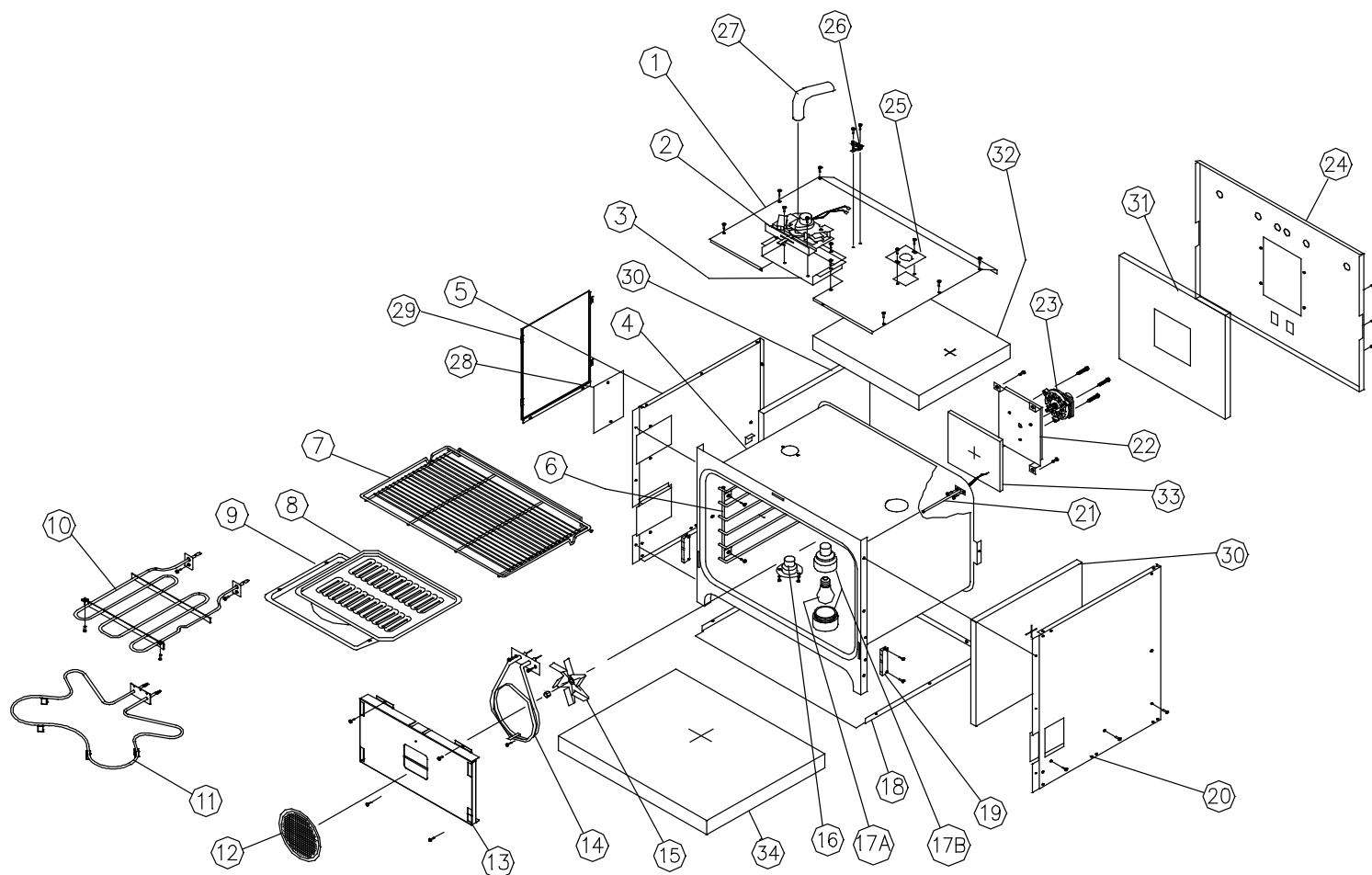
MRES30S Range Top Assembly



| Item | Part # | Description |
|------------|--------|---------------------|
| 1 | 13667 | BEZEL ASSEMBLY |
| 2 | 36834 | GUTTER |
| 3 | 72457B | MEMBRANE PANEL |
| 4 | 26118 | SIDE SUPPORT, LEFT |
| 5 | 12607B | PANEL ASSEMBLY |
| 6 | 82347 | COOLING FAN |
| 7 | 36827 | REAL PANEL |
| 8 | 72530 | POWER BOARD |
| 9 | 36883 | COOLING FAN BRACKET |
| 10A | 66131 | ELEMENT, 2000 WATT |
| 10B | 66129 | ELEMENT, 1500 WATT |

| Item | Part # | Description |
|------------|-----------|---------------------------|
| 10C | 66128 | ELEMENT, 1200 WATT |
| 10D | 700411-06 | ELEMENT, 1000/2400 WATT |
| 11 | 72380 | WIRING HARNESS |
| 12 | 27784 | CHASSIS |
| 13 | 62964 | OVEN CONTROL |
| 14 | 27000 | SIDE SUPPORT, RIGHT |
| 15 | 26800 | INSULATION |
| 16 | 72532 | DISPLAY BOARD |
| 17 | 36514 | PCB MODULE MOUNTING PLATE |
| 18 | 83227 | SPRING |
| 19 | 46919 | INSULATION BRACKET |
| 20 | 72703 | WIRING HARNESS |

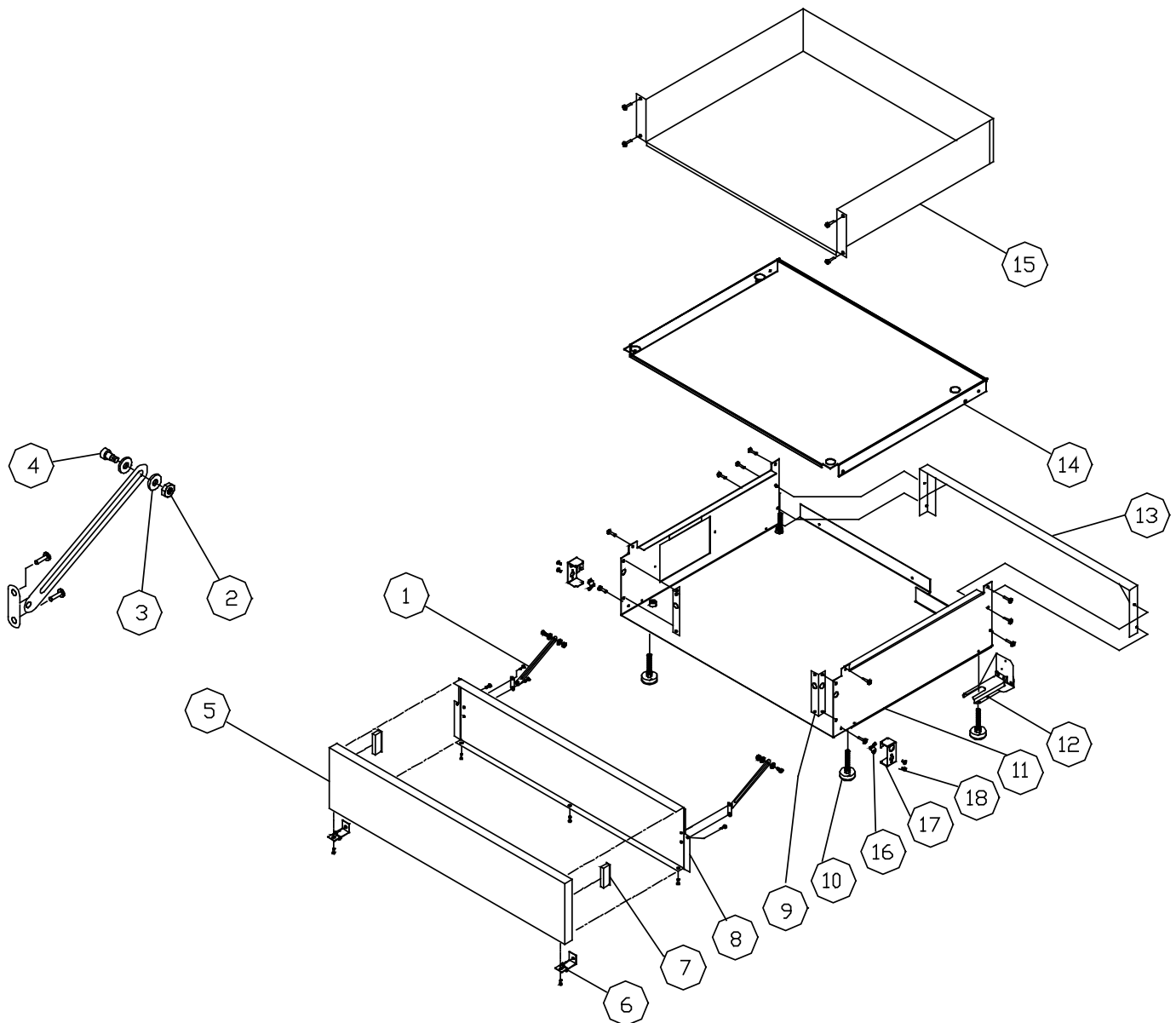
MRES30S Range Cell Assembly



| Item | Part # | Description |
|------|--------------------|--|
| 1 | 26629 | CASE TOP |
| 2 | 701191 | DOOR LATCH KIT |
| 3 | 26598 | LATCH PLATE |
| 4 | 27791BP | ASSY, CELL WRAP |
| 5 | 27454 | CASE SIDE ASSY |
| 6 | 82650 ¹ | SUPPORT RACK ¹ |
| 7 | 82230 | OVEN RACK, CONVECTION |
| | 82230 | OVEN RACK, GLIDERACK™ TYPE (NOT SHOWN) |
| 8 | 82106 | PORCELAIN GRILL |
| 9 | 82107 | PORCELAIN PAN |
| 10 | 82817 | BROIL ELEMENT |
| 11 | 62637 | BAKE ELEMENT |
| 12 | 82891 | FILTER, CONVECTION |
| 13 | 36816BP | CONVECTION BAFFLE |
| 14 | 82377 | CONVECTION ELEMENT |
| 15 | 82651 | CONVECTION FAN BLADE |
| 16 | 82826 | SMOKE ELIMINATOR |
| 17A | 82089 | BULB, LIGHT 40W |

| Item | Part # | Description |
|------|--------|------------------------------|
| 17B | 701750 | LIGHT SERVICE KIT |
| 18 | 26633 | CASE BOTTOM |
| 19 | 82851 | RECEPTACLE, HINGE |
| 20 | 27453 | CASE SIDE ASSY, RIGHT |
| 21 | 86663 | TEMPERATURE SENSOR |
| 22 | 36280 | MOTOR MOUNTING PLATE |
| 23 | 82647 | CONVECTION OVEN MOTOR |
| 24 | 26632 | CASE BACK |
| 25 | 26560 | COVER PLATE, LIGHT |
| 26 | 82987 | HIGH LIMIT SWITCH |
| 27 | 72461 | SMOKE TUBE |
| 28 | 36279 | COVER, MEAT PROBE SOCKET |
| 29 | 36309 | LIGHT COVER |
| 30 | 80161 | INSULATION, CELL SIDE |
| 31 | 80166 | INSULATION, CELL BACK |
| 32 | 80162 | INSULATION, CELL TOP |
| 33 | 80168 | INSULATION, CONVECTION MOTOR |
| 34 | 80164 | INSULATION, BOTTOM |

MRES30S Range Base Assembly



| Item | Part # | Description |
|------|--------|------------------------------|
| 1 | 83068 | SUPPORT, STORAGE PANEL |
| 2 | 83048 | NUT, HEX KEPS, 8-32 |
| 3 | 83194 | WASHER, .50 x .191 x .06 |
| 4 | 83220 | SCREW |
| 5 | 26144S | STORAGE PANEL |
| 6 | 83044 | HINGE, STORAGE PANEL |
| 7 | 83237 | LATCH, MAGNETIC |
| 8 | 26241S | LINER, KICK PANEL |
| 9 | 26052 | BRACKET, STORAGE COMPARTMENT |

| Item | Part # | Description |
|------|-----------|---------------------------|
| 10 | 83359 | LEVELER |
| 11 | 27144 | BASE ASSY |
| 12 | 105469-02 | BRACKET, ANTI-TIP, RANGE |
| 13 | 27048 | STIFFENER ASSY |
| 14 | 36865 | EXHAUST PLATE |
| 15 | 27068B | ASSY, STORAGE COMPARTMENT |
| 16 | 83540 | BALL STUD CATCH |
| 17 | 26104 | BRACKET, LATCH |
| 18 | 83262 | RIVET, "POP", .13 x .25 |