

The Dacor logo is rendered in a bold, italicized, sans-serif font with a metallic, 3D effect. The letters are dark with a lighter, reflective highlight on the top and left sides, giving it a sleek, modern appearance. A registered trademark symbol (®) is located at the end of the word.

# **dacor**®

The Life of the Kitchen.®

A faded background image of a kitchen range with a warming drawer. The range is white with a stainless steel top and control panel. A white bowl sits on the cooktop. The warming drawer is visible at the bottom of the unit. The text 'PARTS CATALOG' is overlaid in large, bold, 3D letters.

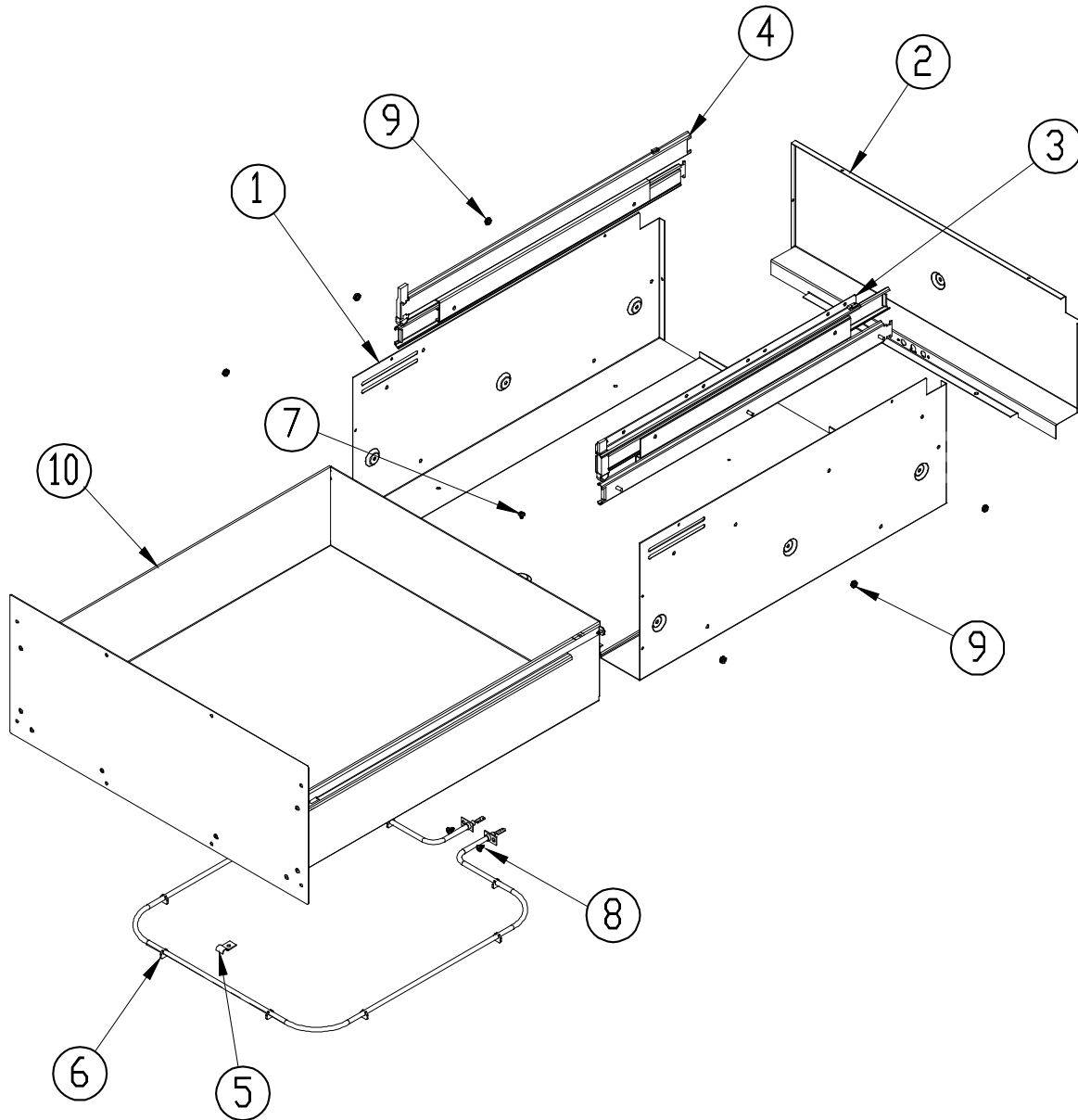
## **PARTS CATALOG**

### **IWD24/27/30 Warming Drawer**

<b>Page #</b>	<b>Description</b>
<b>2</b>	<b>Chassis Wrap Assembly</b>
<b>3</b>	<b>Chassis Assembly</b>
<b>4</b>	<b>Chassis Parts</b>

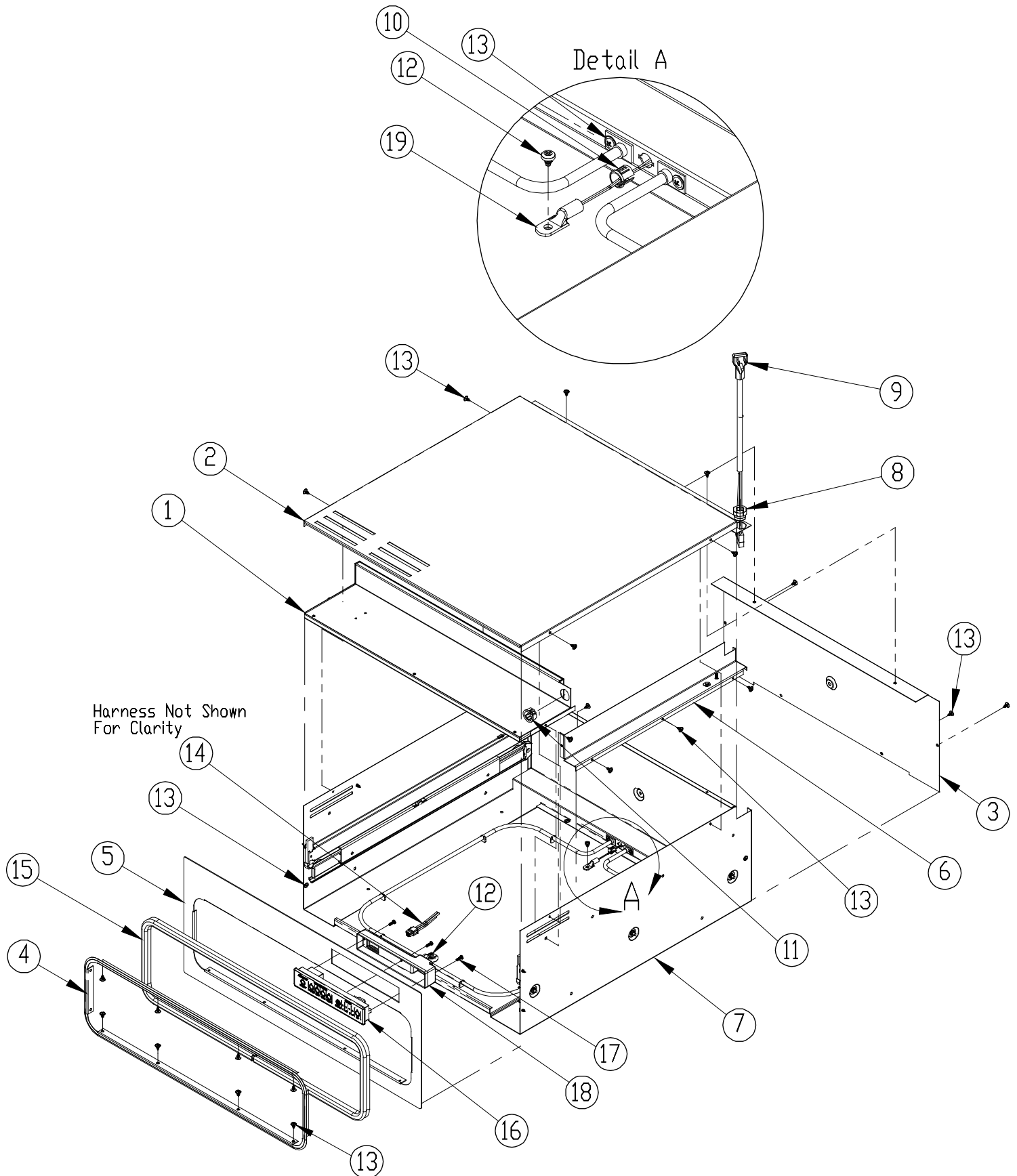
Revised 06-25-2013

# IWD Warming Drawer Chassis Wrap Assembly



Item	Description	IWD24	IWD27	IWD30
1	Wrap, Chassis	101883-01	101883-02	101883-03
2	Partition, Rear	101881-01	101881-02	101881-03
3	Slide Rail Set, Right	72737 (sold as a set)		
4	Slide Rail Set, Left			
5	Clip, Element Hold down	102321	102321	102321
6	Heating Element	101651	101651	101651
7	Screw, Phil HD, #8 x 1/4"	83001	83001	83001
8	Screw, Phil HD, #8 x 3/8"	83263	83263	83263
9	Nut Hex Keps #8-32	83048	83048	83048
10	Asy, Drawer IWD	700836-01	700836-02	700836-03

# IWD Warming Drawer Chassis Assembly



# IWD Chassis Parts

Item	Description	IWD24	IWD27	IWD30
<b>1</b>	Assy, Channel Control	700738-01	700738-02	700738-03
<b>2</b>	Top Cover	101882-01	101882-02	101882-03
<b>3</b>	Rear Cover	101657-01	101657-02	101657-03
<b>4</b>	Frame Gasket*	102443*	102442*	102445*
<b>5</b>	Control Panel*	103485-01B*	103485-02B*	103485-03B*
<b>6</b>	Weld, Electric Chase	700877	700877	700877
<b>7</b>	Chassis Wrap	700591-01	700591-02	700591-03
<b>8</b>	Asy, Strain Relief Bushing	83141	83141	83141
<b>9</b>	Power Supply Cord	72765	72765	72765
<b>10</b>	Bushing, 3/8" Hole	83523	83523	83523
<b>11</b>	Bushing, Heyco SB 875-11	83056	83056	83056
<b>12</b>	Screw, Phil HD, #8 x 1/4"	83001	83001	83001
<b>13</b>	Screw, Phil HD, #8 x 3/8"	83263*	83263*	83263*
<b>14</b>	Wire Harness (not shown)	102347	102347	102347
-	Hi-Limit Thermostat (not shown)	106613	106613	106613
<b>15</b>	Gasket*	101647	101648	101649
<b>16</b>	Control w/ Overlay**	101645**	101645**	101645**
<b>17</b>	Screw, #6-19 x 1/2", Plastite**	102499**	102499**	102499**
<b>18</b>	Cover, Control Board**	101610**	101610**	101610**
<b>19</b>	Thermistor	102472	102472	102472
* Must be ordered as kit according to part numbers at right. Includes items 4, 5, 15 and 8 screws (item 13).		701127-01	701127-02	701127-03
** Must be ordered as kit number 701120. Includes items 16, 18, and 3 screws (item 17).				