

dacor®

The Life of the Kitchen.®

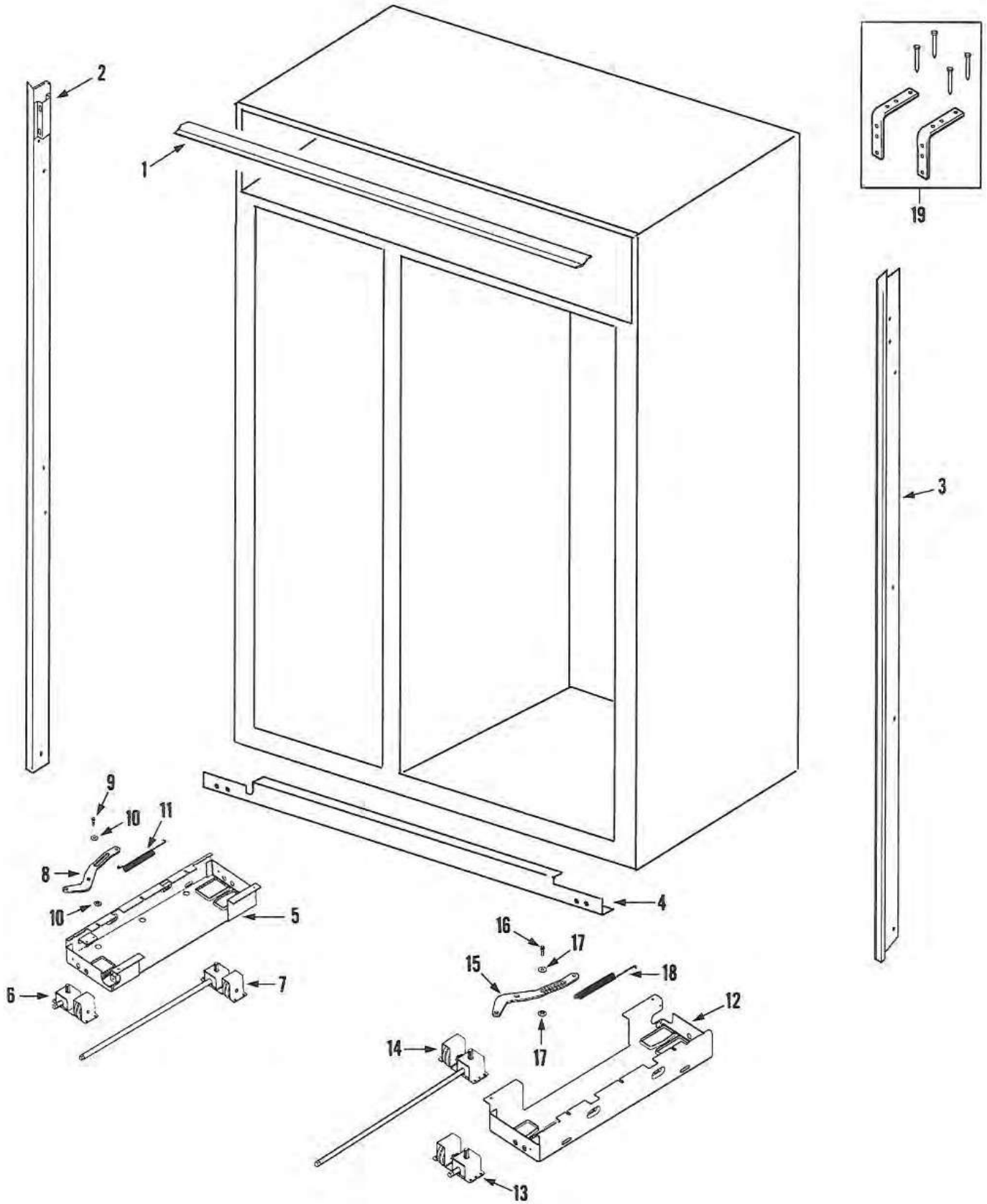
PARTS CATALOG

IF48BDCBOL Refrigerator

Page #	Description
2	Cabinet
4	Compressor
6	Controls
8	Shelves/Accessories (Fresh Food)
10	Evaporator Compartment
12	Shelves & Accessories (Freezer)
14	Fresh Food Door
16	Freezer Door
18	Fountain
20	Ice Maker

Revised 05-03-2013

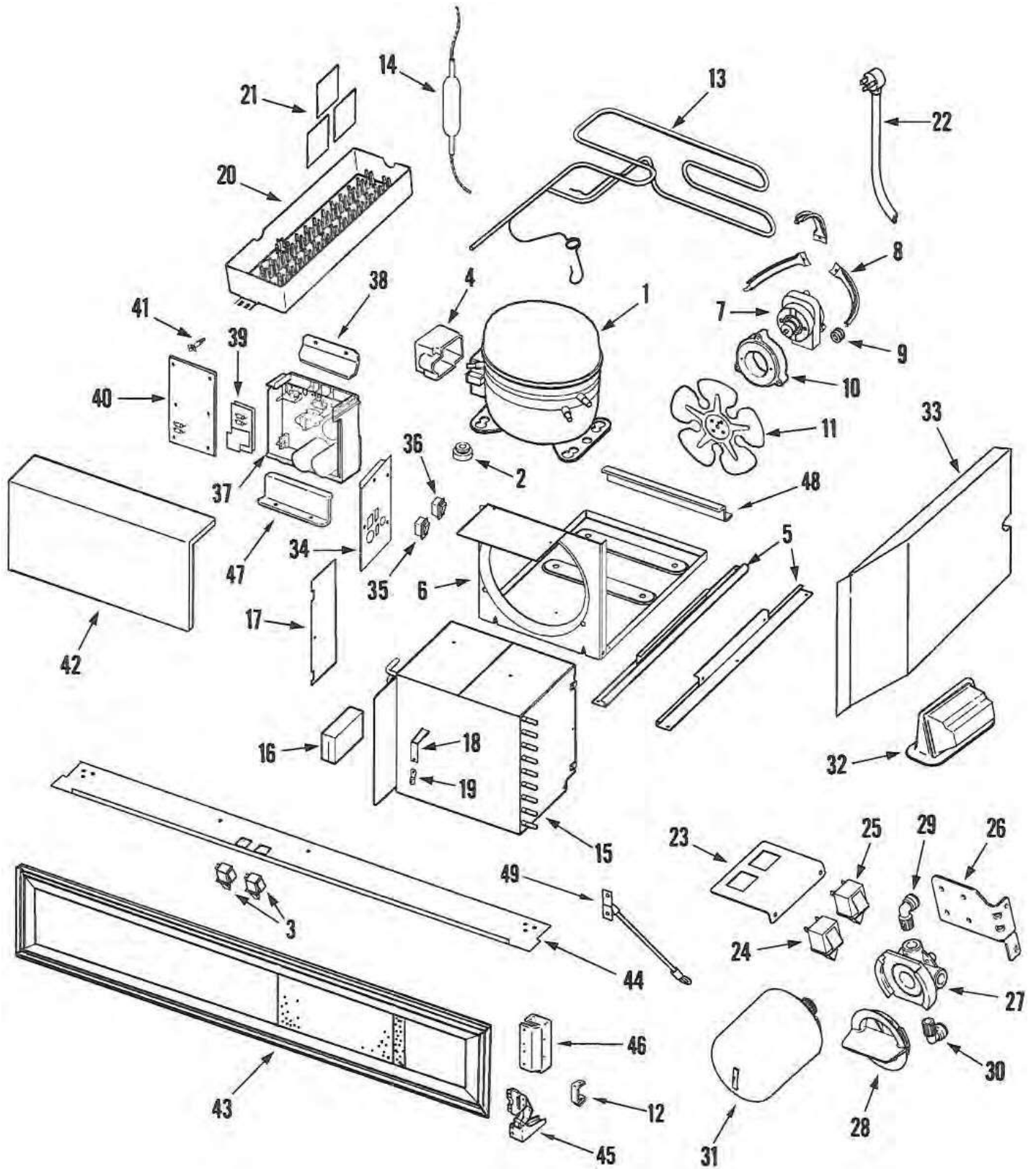
IF48BDCBOL - Cabinet



IF48BDCBOL - Cabinet Parts

Item	Dacor #	Description
1	103178	Trim, Cabinet Upper (SLV)
-	102916	Screw, Trim
2	103130	Trim, Cabinet Side (LT-SLV)
-	102915	Screw, Trim
3	103256	Trim. Cabinet Side (RT-SLV)
-	102915	Screw, Trim
4	103235	Kick Plate
-	103036	Screw, Kick Plate
5	103116	Wheel, Asy (LT)
-	103199	Screw, Wheel Asy.
-	102895	Screw, Wheel Asy.
6	103117	Gear Asy., Wheel (FRT)
-	102895	Screw, Gear Asy.
7	103118	Gear Asy., Wheel (Rear)
-	102895	Screw, Gear Asy.
8	103029	Arm, Door Closer
9	103030	Screw, Closer Arm
10	103031	Bushing, Closer Arm
11	103032	Spring w/ Dampner, Door Closer
12	103260	Wheel Asy. (RT)
-	103199	Screw, Wheel Asy.
-	102895	Screw, Wheel Asy.
13	103129	Gear Asy., Wheel (FRT)
-	102895	Screw, Gear Asy.
14	103121	Gear Asy., Wheel (Rear)
-	102895	Screw, Gear Asy.
15	103029	Arm, Door Closer
16	103030	Screw, Closer Arm
17	103031	Bushing, Closer Arm
18	106446	Spring, w/ Damper, Door Closer
19	103033	Bracket, Asy., Anti-Tip

IF48BDCBOL - Compressor

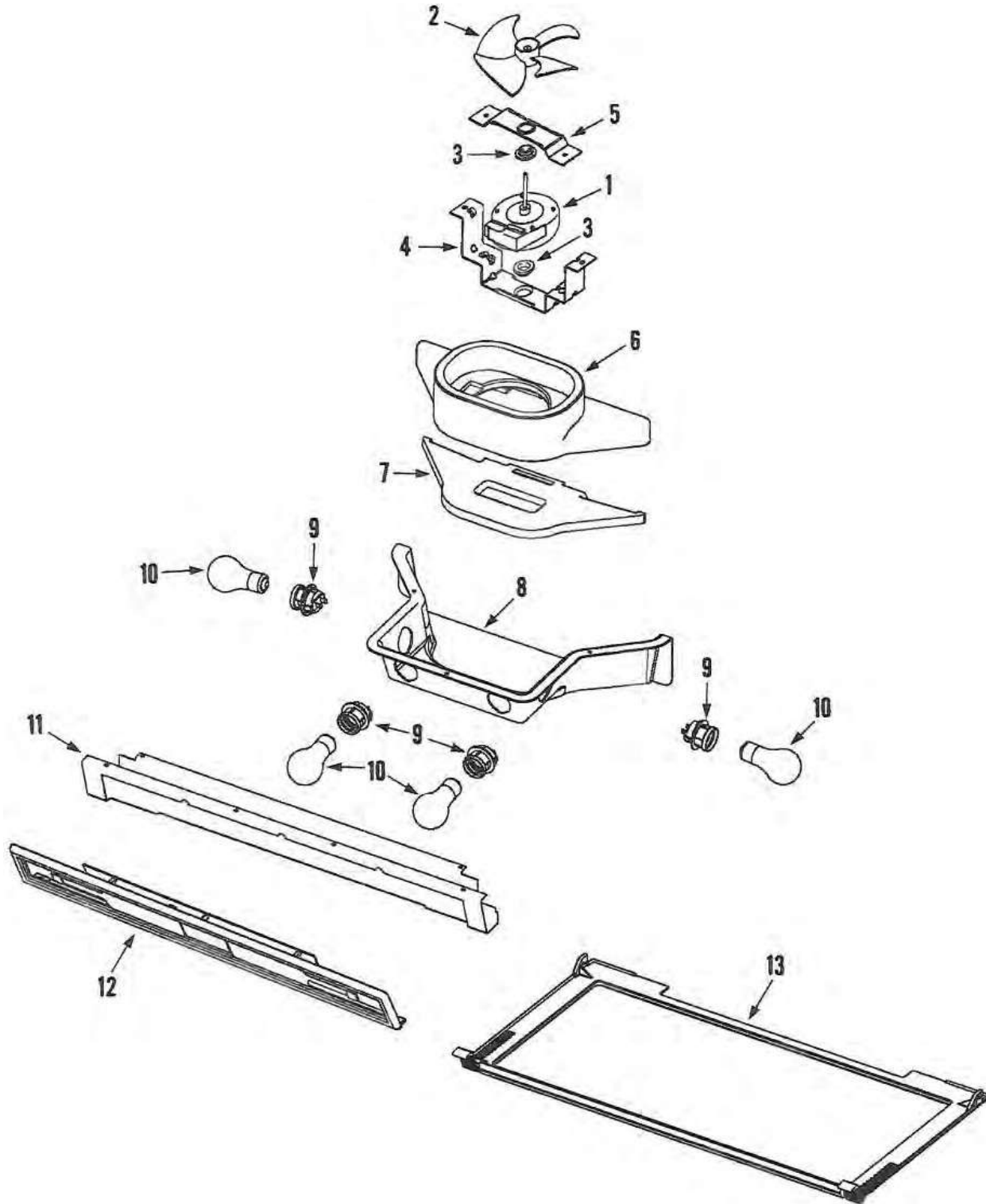


IF48BDCBOL - Compressor Parts

Item	Dacor #	Description
1	103449	Compressor Kit (Inc. Compressor, Terminal Cover & Drier)
-	102918	Screw, Compressor MTG.
2	102906	Grommet, Compressor
3	102941	Switch, Light
-	103097	Shim, Light Switch
4	102894	Cover, Terminal
5	102919	Rail, Compressor
-	103263	Screw, Rail
6	102920	Pan, Compressor MTG.
7	102913	Motor, Condenser Fan
-	102907	Screw, Motor
8	102891	Bracket, Fan Motor
9	102805	Grommet, Bracket
10	102908	Adapter, Fan Motor
-	102921	Screw, Adapter
11	106449	Blade, Condenser
12	106450	Brace, Hinge
13	103078	Heat Exchanger Asy.
14	103264	Drier
15	103126	Condenser
16	102922	Baffle, Condenser Seal
17	102923	Extension, Condenser
-	102895	Screw, Extension
18	102924	Clip, Thermister
19	102925	Thermister
-	103205	Screw, Thermister
20	102926	Pan, Drain
-	102895	Screw, Pan (FRT)
21	103094	Wick, Condensation
22	103095	Cord, Power w/ Harness
23	102927	Bracket, Filter Switch
-	102895	Screw, Bracket
24	103108	Switch, Water Filter Sense
25	103108	Switch, Water Shut Off Sense
26	102928	Bracket, Water Filter
-	102895	Screw, Bracket to Wall
-	102929	Screw, Bracket to Head
27	102931	Head, Water Filter
28	102901	Plug, Filter Bypass

Item	Dacor #	Description
29	102930	Fitting, Water Filter
30	102930	Fitting, Water Filter
31	103190	Filter, Water
32	102932	Valve Asy., Pressure Relief
-	102895	Screw, Relief Asy.
-	103083	Screen
33	102933	Divider, Machine Compartment
34	102934	Bracket, Electrical
-	102895	Screw, Bracket
35	102935	Switch, Main Shut Off
36	102936	Switch, C/F Temp. Display
37	103270	Board, Compressor (Inverter)
38	103173	Retainer, Upper
-	102895	Screw, Retainer
39	102937	Supply, Power
40	103363	Board, Main Display
41	103034	Standoffs, Circuit Board
42	103133	Cover, Circuit Board
-	102895	Screw, Cover
43	106451	Frame, Machine Compt. (SLV)
44	102940	Trim, Cabinet Top (SLV)
-	102895	Screw, Trim
45	103138	Hinge (LT)
-	103139	Hinge (RT)
-	102895	Screw, Hinge to Cover (Hex)
-	102915	Screw, Hinge to Cabinet (Phil)
46	103140	Bracket, Hinge
47	103175	Retainer, Lower
-	102895	Screw, Retainer
48	103177	Bracket, Comp. Pan Rear
-	102892	Screw, Bracket
49	106452	Tether
-	106453	Wire Harness, Compressor
-	102938	Wire Harness, Power Supply
-	102939	Wire Harness, Temp. Switch
-	103135	Wire Harness, Comp. Board
-	103136	Wire Harness, PC Board

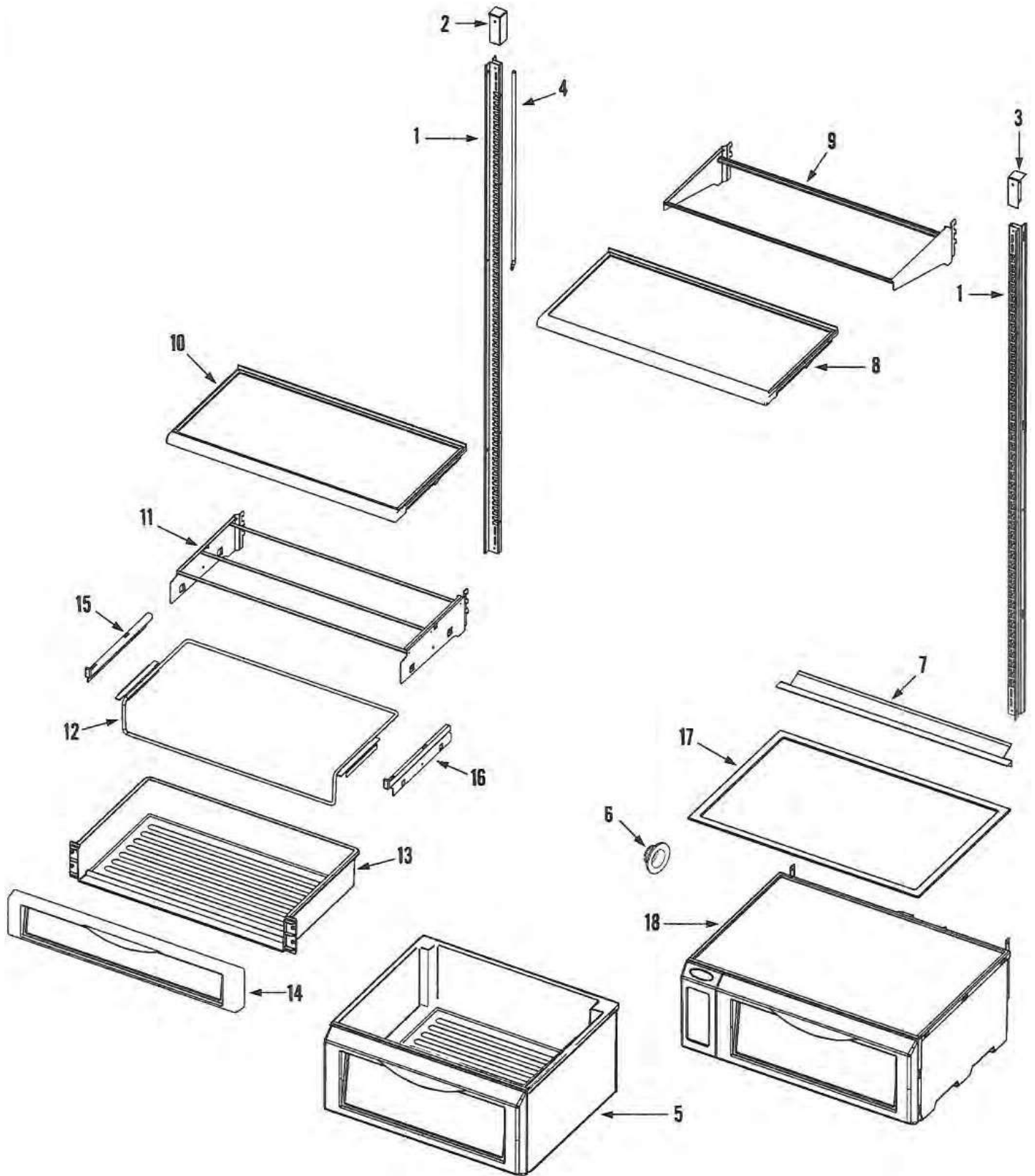
IF48BDCBOL - Controls



IF48BDCBOL - Controls Parts

Item	Dacor #	Description
1	103111	Motor, Fan
-	103199	Screw, Motor
2	102942	Blade, Fan
3	102910	Bushing, Fan
4	102943	Bracket, Fan
-	102905	Screw, Bracket
5	103286	Retainer, Fan
6	102944	Diverter, Discharge (Top)
7	102945	Diverter, Discharge (Btm)
8	102946	Housing, Control
-	102895	Screw, Housing
9	102893	Receptacle, Bulb
10	102690	Blub, Light
11	102947	Bracket, Display
-	103197	Screw, Bracket
-	102948	Screw, Bracket
12	103182	Display Asy., Main
13	102949	Shield, Light
-	102950	Screw, Shield
-	103122	Wire Harness, Control HSG.

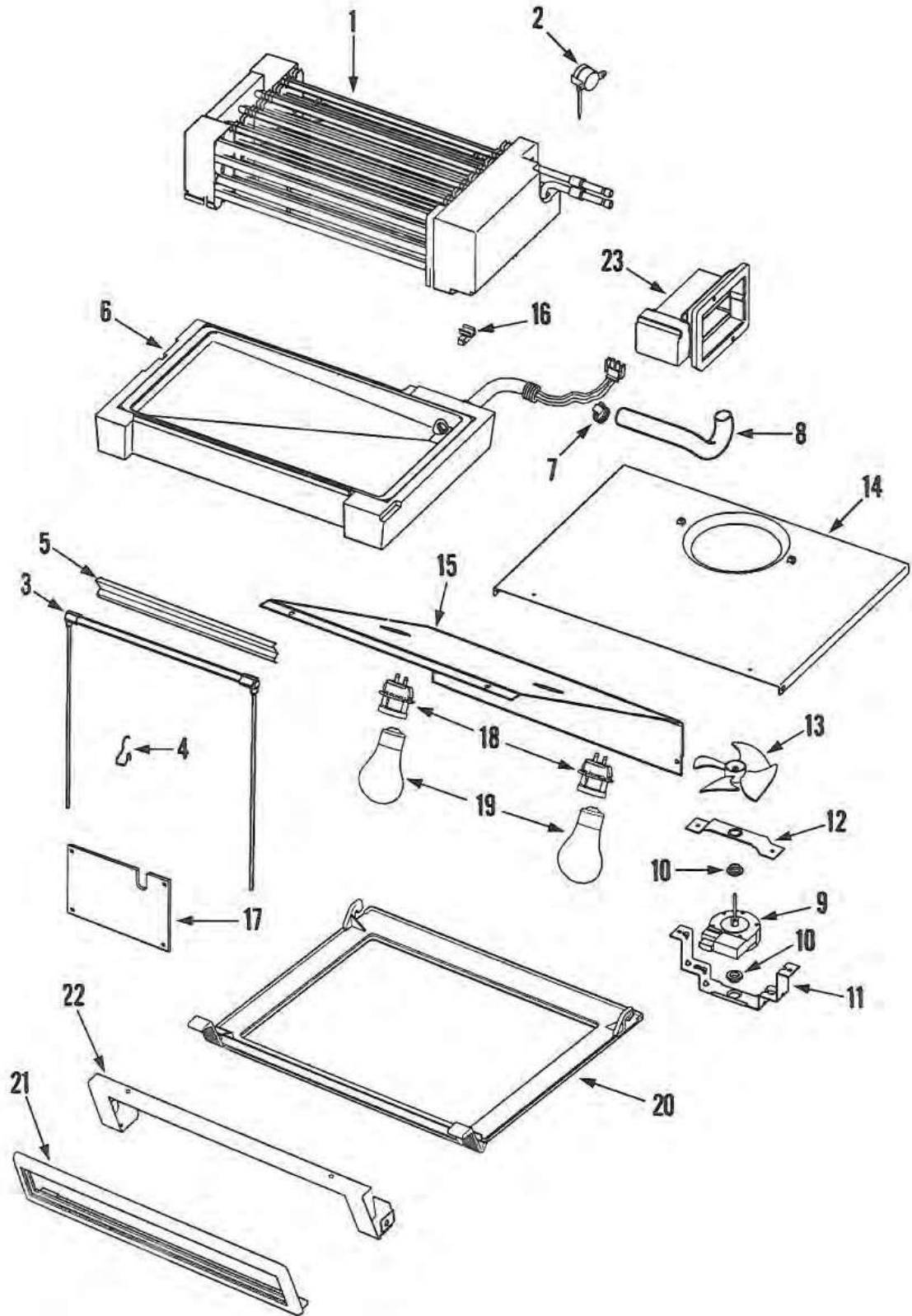
IF48BDCBOL - Shelves & Accessories (Fresh Food)



IF48BDCBOL - Shelves & Accessories (Fresh Food) Parts

Item	Dacor #	Description
1	102951	Rail, Shelf Support
-	102895	Screw, Rail (Rear)
-	102952	Screw, Rail (FRT)
2	102953	End Cap, Rail (LT)
-	102954	Screw, End Cap
3	102955	End Cap, Rail (RT)
-	102954	Screw, End Cap
4	102956	Thermister
-	102895	Screw, Thermister
5	103156	Pan Asy., Crisper
6	102900	Retainer, Duct
7	103186	Diverter, Air (Upr Crisper)
8	103183	Shelf, Spillproof
9	102957	Frame, Shelf
10	103183	Shelf, Deli
11	102961	Frame, Deli Shelf
12	102960	Cradle, Deli Pan
13	102958	Pan, Deli (Snack Tray)
14	102959	Front, Deli Pan
-	102911	Screw, Front
15	102962	Glide, Deli Pan (LT)
-	102954	Screw, Glide
16	102963	Glide, Deli Pan (RT)
-	102954	Screw, Glide
17	102964	Shelf, Spillproof
18	103383	Crisper Asy. (LWR-4 Buttons)
-	103384	Crisper Asy. (UPR-3 Buttons)
-	103028	Blanket, LWR Crisper

IF48BDCBOL - Evaporator Compartment

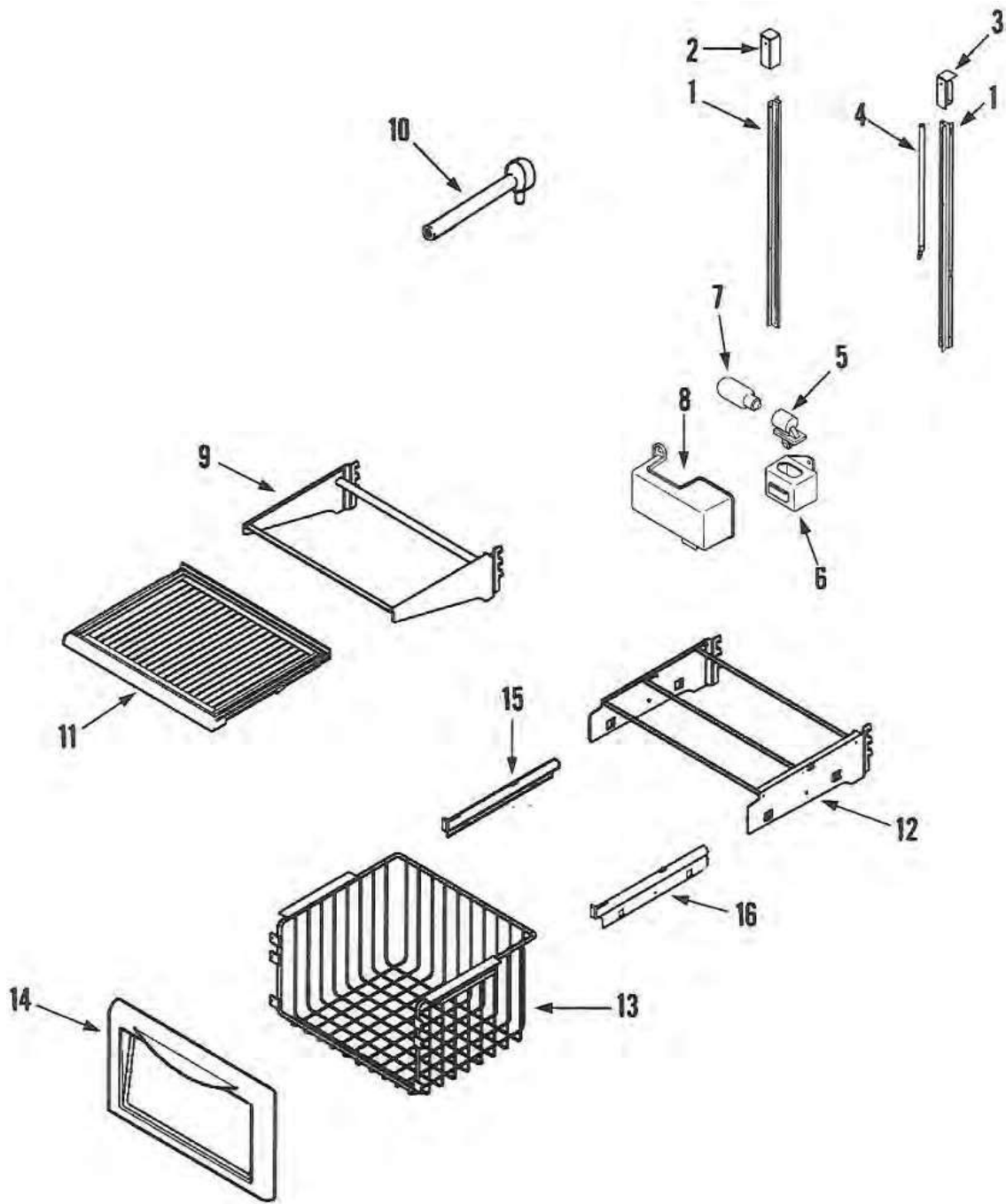


IF48BDCBOL - Evaporator Compartment Parts

Item	Dacor #	Description
1	103473	Evaporator Asy.
2	102965	Thermostat, Defrost
-	102895	Screw, Thermostat
3	102976	Heater, Defrost
4	103127	Clip, Defrost Heater
5	103062	Shield, Defrost Heater
6	103109	Tray Asy., Evaporator Drain
-	102966	Seal, Tray Asy.
7	102967	Clamp, Drain Tube
8	102968	Tube, Drain
9	103111	Motor, Fan
-	103199	Screw, Motor
10	102910	Bushing, Fan
11	102943	Bracket, Fan
-	102905	Screw, Bracket
12	103286	Retainer, Fan
13	102969	Blade, Fan
14	103080	Cover, Asy., Evaporator
15	103389	Diffuser, Air
-	102954	Screw, Diffuser
-	102970	Gasket, Diffuser
16	103087	Thermister
17	102971	Insulation, Velora
-	102899	Retainer, Insulation
18	102893	Receptacle, Bulb
19	102690	Blub, Light
20	102972	Shield, Light
-	102950	Screw, Shield
21	103187	Facade
-	102948	Screw, Facade
22	102973	Bracket, Facade
-	102895	Screw, Bracket
23	103081	Damper Asy., Auto
-	102911	Screw, Damper Asy.
-	103123	Wire Harness, Freezer



IF48BDCBOL - Shelves & Accessories (Freezer)

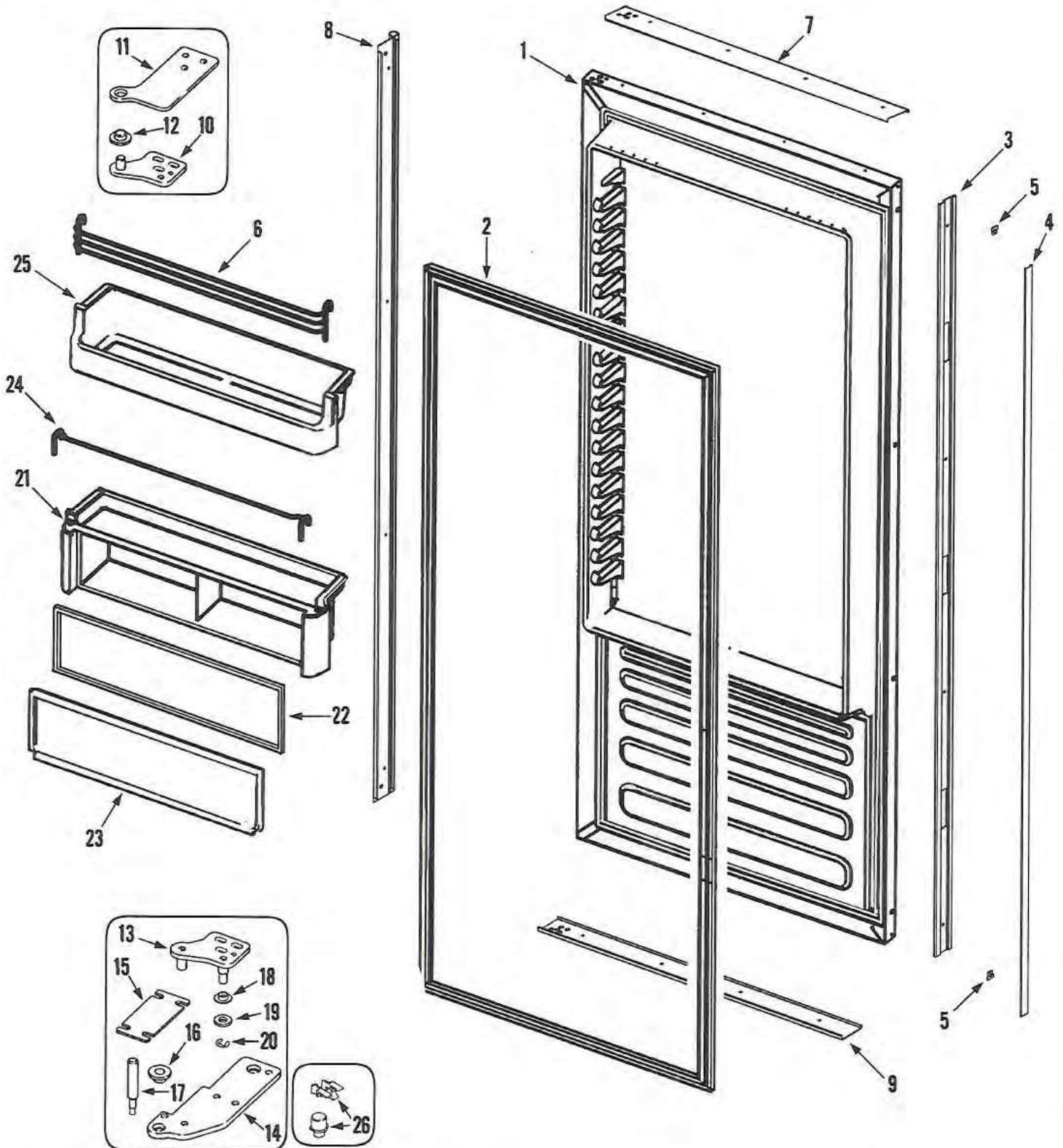


IF48BDCBOL - Shelves & Accessories (Freezer) Parts

Item	Dacor #	Description
1	103231	Rail, Shelf Support
-	102895	Screw, Rail (Rear)
-	102952	Screw, Rail (FRT)
2	102953	End Cap, Rail (LT)
-	102954	Screw, End Cap
3	102955	End Cap, Rail (RT)
-	102954	Screw, End Cap
4	106484	Thermistor
-	102895	Screw, Thermistor
5	102896	Receptacle, Bulb
6	102974	Adapter, Receptacle
-	102895	Screw, Adapter
7	103166	Bulb, Light
8	102975	Shield, Light
-	102895	Screw, Shield
9	102977	Frame, Shelf
10	103096	Grommet, Fill Tube
11	102978	Shelf, Freezer
12	103114	Frame, Basket
13	106455	Basket, Freezer
14	102979	Front, Basket
-	106312	Screw, Front
15	102962	Glide, Basket (LT)
-	102954	Screw, Glide
16	102963	Glide, Basket (RT)
-	102954	Screw, Glide

IF48BDCBOL - Fresh Food Door

HANDLES NOT PROVIDED WITH PRODUCT
MUST ORDER FROM CUSTOM CABINET
MANUFACTURER



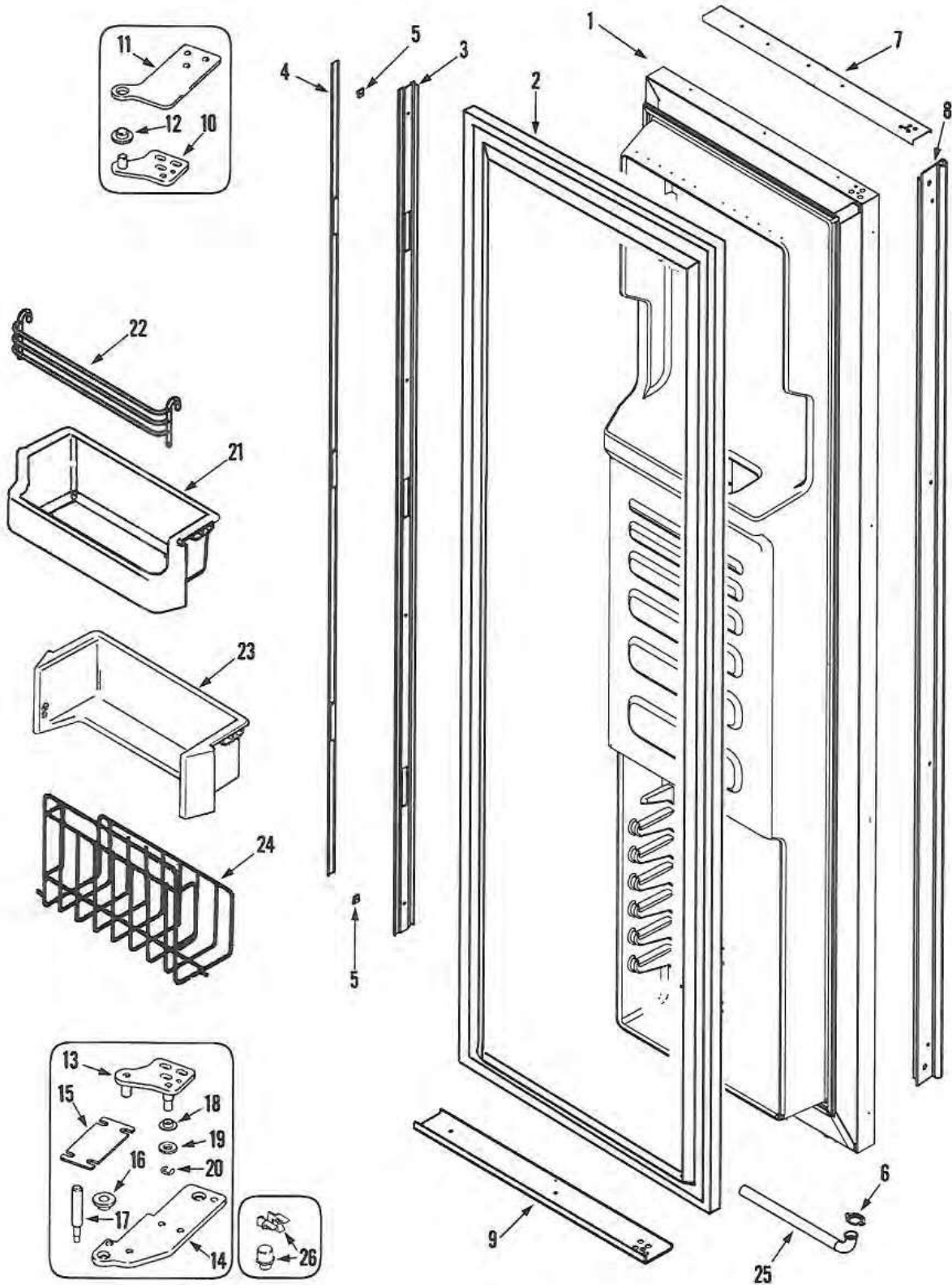
IF48BDCBOL - Fresh Food Door Parts

Item	Dacor #	Description
1	106456	Door Asy., Fresh Food
2	103153	Seal, F.F. Door
3	106457	Trim, Perimeter (SLV)
-	106458	Screw, Trim
4	106459	Cover Asy., Screw w/ Magnets (SLV)
5	106460	Retainer, Cover Screw
6	103188	Wire, Pick off Shelf
7	106461	Trim, Perimeter (TOP-SLV)
-	103334	Screw, Trim (SLV)
8	106462	Trim, Perimeter (SIDE-SLV)
-	103334	Screw, Trim (SLV)
9	106463	Trim, Perimeter (BTM-SLV)
-	103334	Screw, Trim (SLV)
10	102996	Hinge, Upper
-	102997	Screw, Hinge
-	103012	Screw, Hinge
11	102998	Plate, Upper Hinge
-	102999	Screw, Plate
12	103000	Bushing, Upper Hinge
13	103113	Hinge, Lower
-	102997	Screw, Hinge
-	103012	Screw, Hinge
14	103001	Plate, Lower Hinge
-	103035	Screw, Plate
15	103455	Shim, Lower Hinge
16	103003	Bushing, Lower Hinge
17	103005	Stud, Lower Hinge
-	103004	Nut, Hinge Stud
18	103006	Bushing, Closer
19	103007	Spacer, Closer
20	103008	Retainer, Closer Extension
21	103009	Compartment, Dairy
22	103010	Seal, Dairy Door
23	103082	Door Asy., Dairy
24	103099	Wire, Dairy Compartment
25	103011	Shelf, Pick off
26	103057	Stop Asy., Door



IF48BDCBOL - Freezer Door

HANDLES NOT PROVIDED WITH PRODUCT
MUST ORDER FROM CUSTOM CABINET
MANUFACTURER

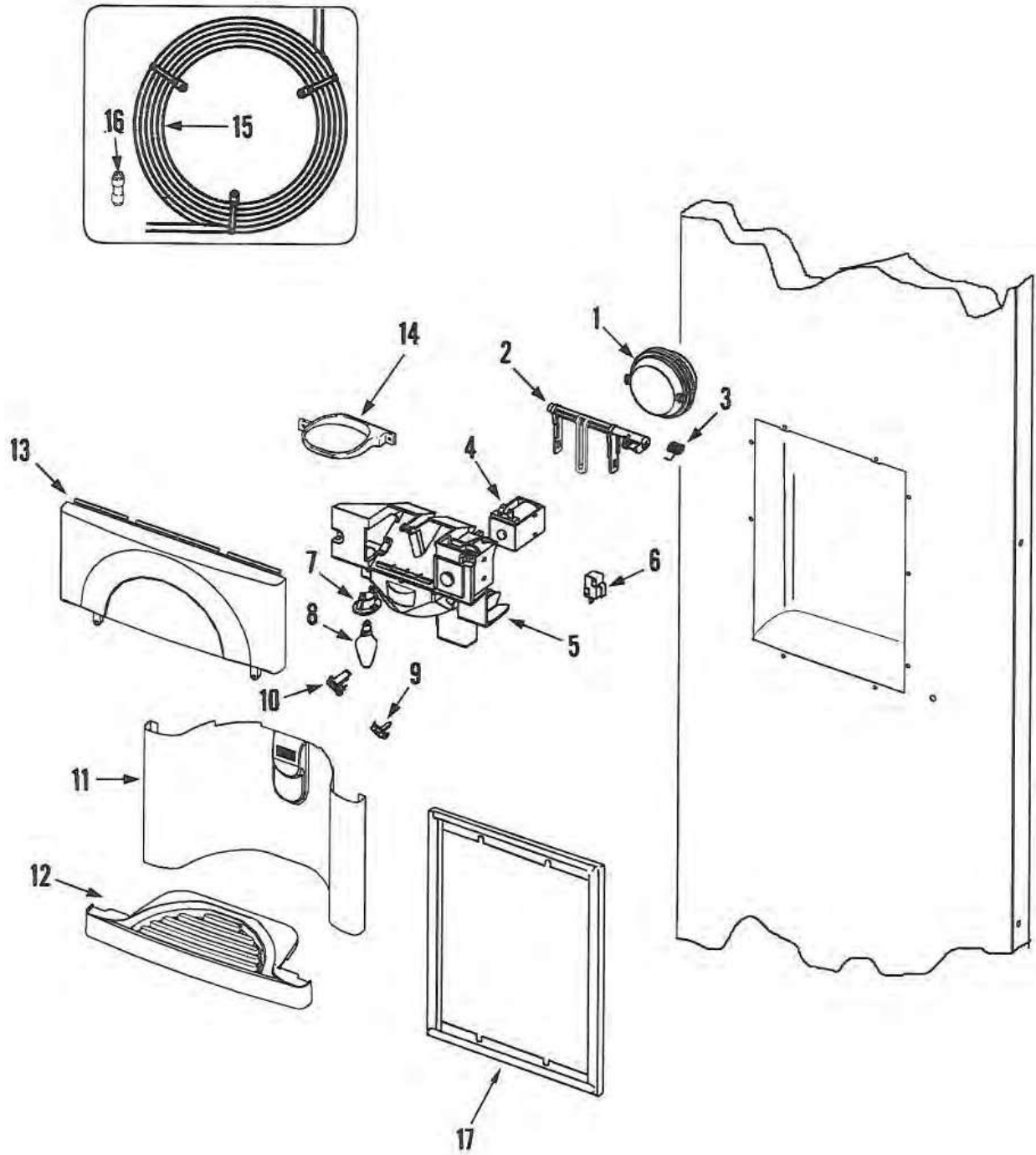


IF48BDCBOL - Freezer Door Parts

Item	Dacor #	Description
1	106578	Door Asy., Freezer
2	103013	Seal, Freezer Door
3	106457	Trim, Perimeter (SLV)
-	106458	Screw, Trim
4	106459	Cover Asy., Screw (SLV) w/ Magnets
5	106460	Retainer, Cover Screw
6	103244	Bearing, Conduit
-	102895	Screw, Bearing
7	106469	Trim, Perimeter (TOP-SLV)
-	103334	Screw, Trim (SLV)
8	106462	Trim, Perimeter (SIDE-SLV)
-	103334	Screw, Trim (SLV)
9	106471	Trim, Perimeter (BTM-SLV)
-	103334	Screw, Trim (SLV)
10	103014	Hinge, Upper
-	102997	Screw, Hinge
-	103012	Screw, Hinge
11	102998	Plate, Upper Hinge
-	102999	Screw, Plate
12	103000	Bushing, Upper Hinge
13	103307	Hinge, Lower
-	102997	Screw, Hinge
-	103012	Screw, Hinge
14	103015	Plate, Lower Hinge
-	103035	Screw, Plate
15	103455	Shim, Lower Hinge
16	103003	Bushing, Lower Hinge
17	103005	Stud, Lower Hinge
-	103004	Nut, Hinge Stud
18	103006	Bushing, Closer
19	103007	Spacer, Closer
20	103008	Retainer, Closer Extension
21	103016	Shelf, Pick Off
22	103189	Wire, Pick Off Shelf
23	103017	Frame, Basket
24	103101	Basket, Tilt
25	103245	Conduit, Pivoting
26	103057	Stop Asy., Door



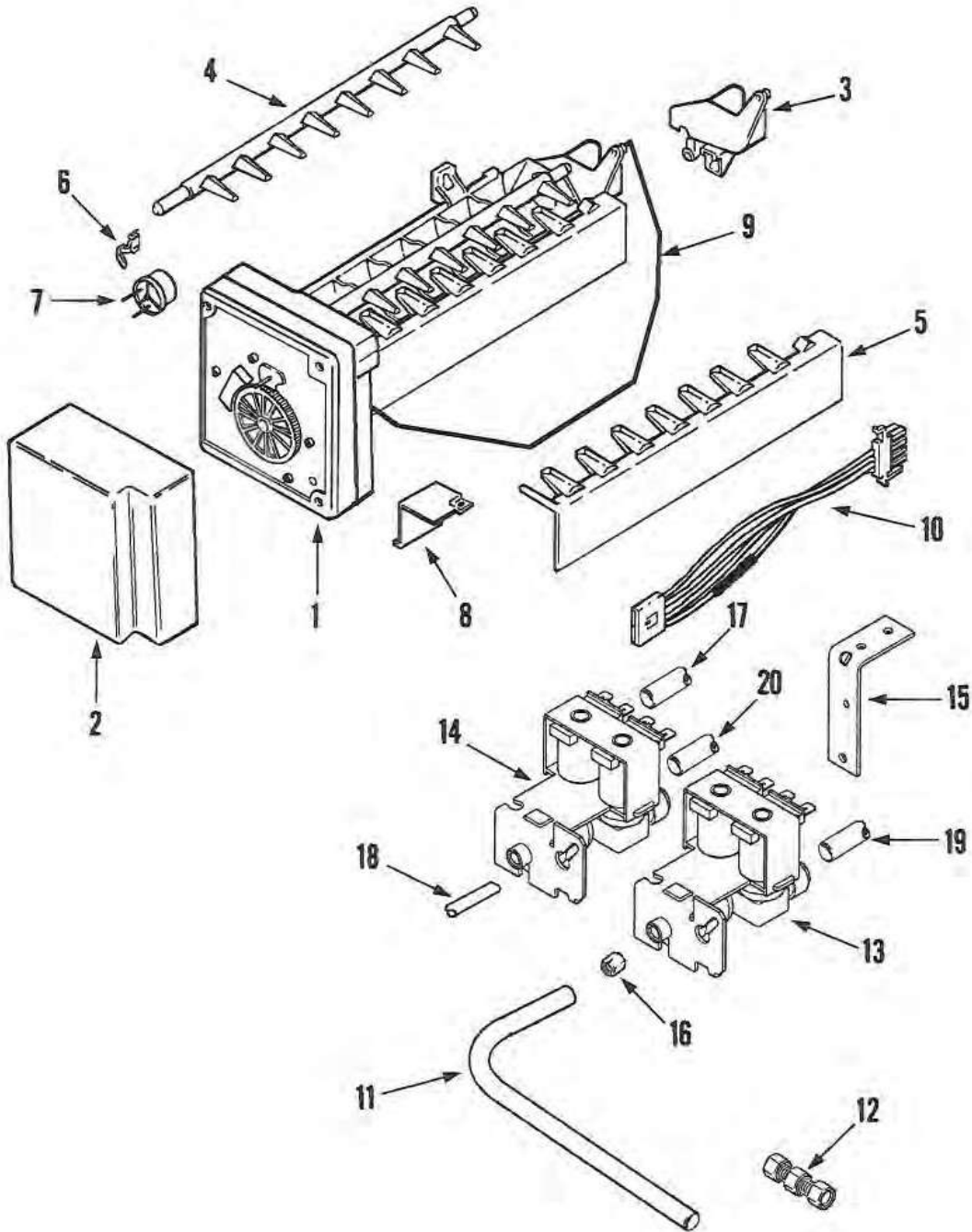
IF48BDCBOL - Fountain



IF48BDCBOL - Fountain Parts

Item	Dacor #	Description
1	103084	Door Asy., Ice
2	103070	Strike, Center
3	103308	Spring, FTN. Return
4	103069	Solenoid
-	102898	Screw, Solenoid
5	102902	Bracket, Fountain (BLK)
-	103309	Screw, Bracket
-	102904	Foam Seal
6	102912	Switch, Limit
-	103310	Screw, Switch
7	102897	Receptacle, Bulb
8	103204	Bulb, Light
9	106486	Actuator
10	103037	Holder, Actuator
11	103039	Liner Pad Asy., (BLK)
-	103085	Screw, Liner
12	103038	Grill (BLK)
13	103171	Escutcheon Asy. (BLK)
-	103313	Screw, Escutcheon
14	103076	Guard, Chip (BLK)
-	103086	Screw, Guard
15	103077	Coil., Water
-	102895	Screw, Coil
16	103460	Union, Reducing (5/16"-3/8")
17	103105	Collar, Escutcheon (BLK)
-	103063	Wire Harness, FTN. Bracket
-	106487	Wire Harness, FTN.
-	103240	Wire Harness, FTN. Switch

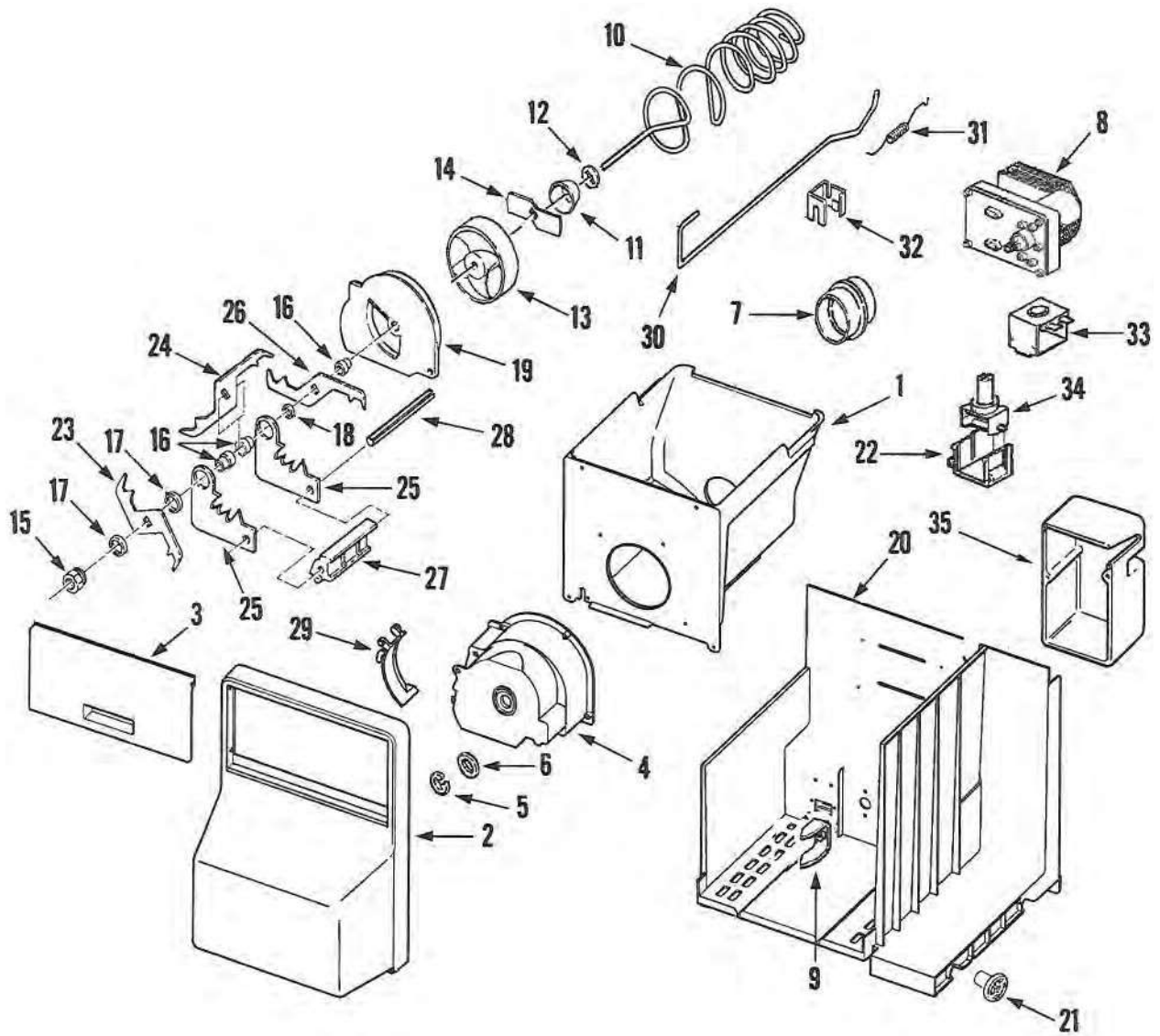
IF48BDCBOL - Ice Maker



IF48BDCBOL - Ice Maker Parts

Item	Dacor #	Description
1	103040	Ice Maker Asy. (115v)
-	103309	Screw, Ice Maker
2	103026	Cover, Ice Maker
3	102843	Inlet, Water
4	102841	Ejector, Ice
5	102842	Stripper, Ice
6	102849	Retainer, Thermostat
7	103207	Thermostat
-	103208	Cement, Alumilastic (4 oz.)
8	102847	Bracket, Module & Heater
-	102848	Screw, Bracket
9	103234	Arm, Sensor
10	103239	Wire Harness, Ice Maker
11	103024	Tube, Copper Inlet
12	103203	Union, Compression
13	103018	Valve, Water (Filter)
-	102895	Screw, Valve
14	103227	Valve, Water (Ice Maker)
-	102895	Screw, Valve
15	103020	Bracket, Water Valve
-	102895	Screw, Bracket
16	103025	Nut & Sleeve Asy.
17	103228	Tubing, Valve to Ice Maker
-	103457	Clamp, Tubing
18	103022	Tubing, Valve to Filter Outlet
19	103023	Tubing, Valve to Filter Inlet
20	103319	Tubing, Valve to Coil

IF48BDCBOL - Ice Bin



IF48BDCBOL - Ice Bin Parts

Item	Dacor #	Description
1	103229	Bin, Ice
2	103236	Front, Ice Bin
-	103309	Screw, Bin Front
3	103232	Door, Ice Access
4	103217	Housing, Crusher
-	103309	Screw, Housing
-	103220	Seal, Housing
5	103320	Ring, Snap
6	103321	Washer, Retainer
7	103210	Ring, Drive
8	103472	Motor Asy., Auger (w/ Yoke)
-	103322	Screw, Motor
9	103323	Yoke
10	103230	Auger
11	103324	Cone, Ice Deflector
12	103325	Washer, Cone Stop
13	103326	Impeller
14	103327	Plate, Drive
15	103328	Nut, Auger
16	103423	Bearing, Spacer
17	103330	Spacer, Blade
18	103331	Spacer, Blade
19	103332	Plate, Impeller

Item	Dacor #	Description
20	103427	Enclosure
-	103199	Screw, Enclosure
21	103221	Support, Enclosure
-	103199	Screw, Support
22	103430	Guide, Yoke
-	103334	Screw, Guide
23	103335	Blade, Crusher
24	103433	Blade, Crusher
25	103337	Blade, Crusher
26	103338	Blade, Crusher
27	103339	Lock, Fixed Blade
28	103340	Pin, Blade Lock
29	103341	Door, Ice Crusher
30	103237	Rod, Crusher Control
31	103218	Spring, Control Rod
32	103219	Bracket, Control Rod
33	103222	Solenoid
-	103322	Screw, Solenoid
34	103223	Yoke Asy.
35	103440	Cover, Solenoid
-	103441	Cover, Ice Maker Bottom
-	103442	Spacer, Cover
-	103346	Screw, Cover