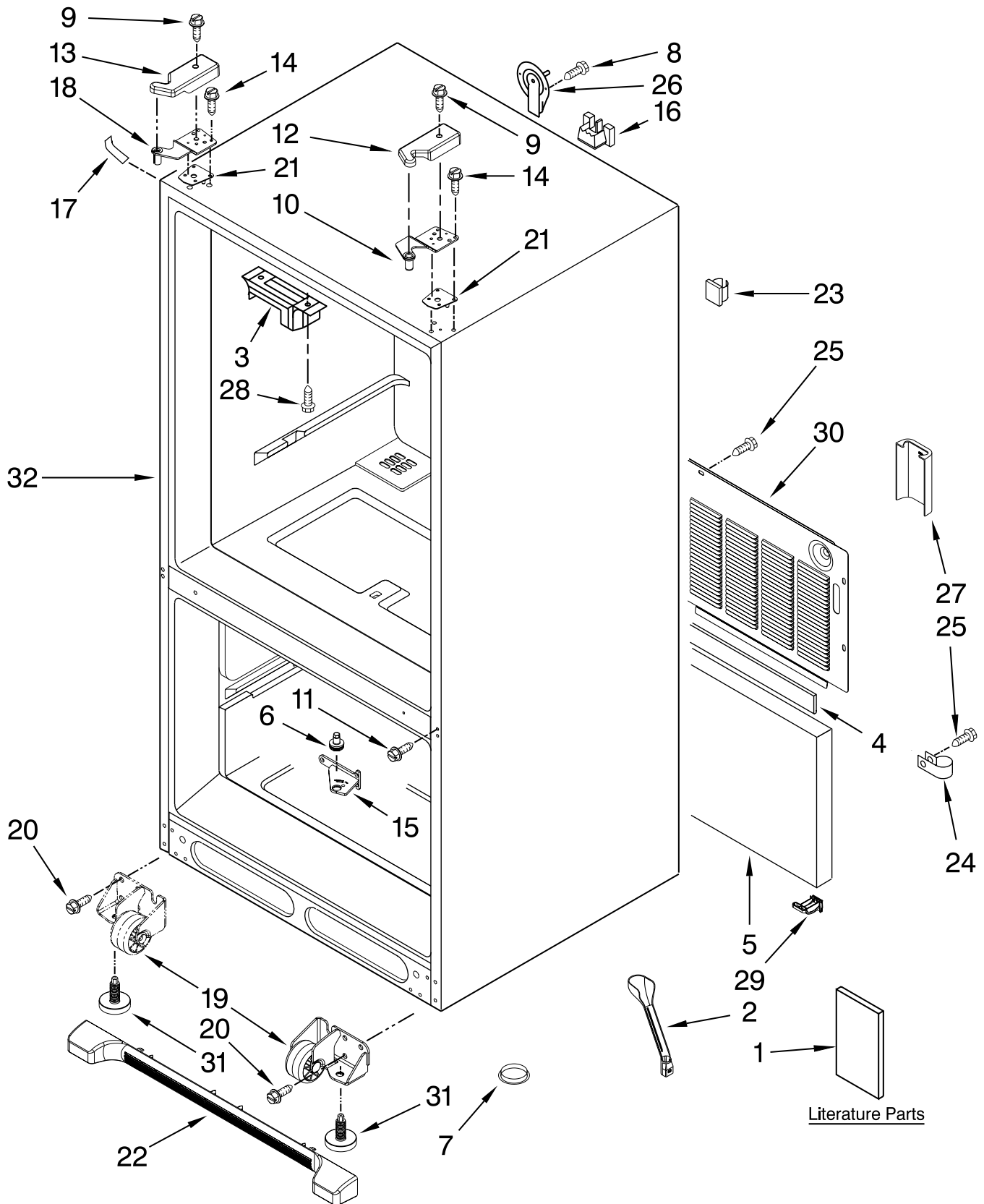


CABINET PARTS

For Models: IF36BNNFSF6

(Black)

REFRIGERATOR



FOR ORDERING INFORMATION REFER TO PARTS PRICE LIST

CABINET PARTS

For Models: IF36BNNFSF6

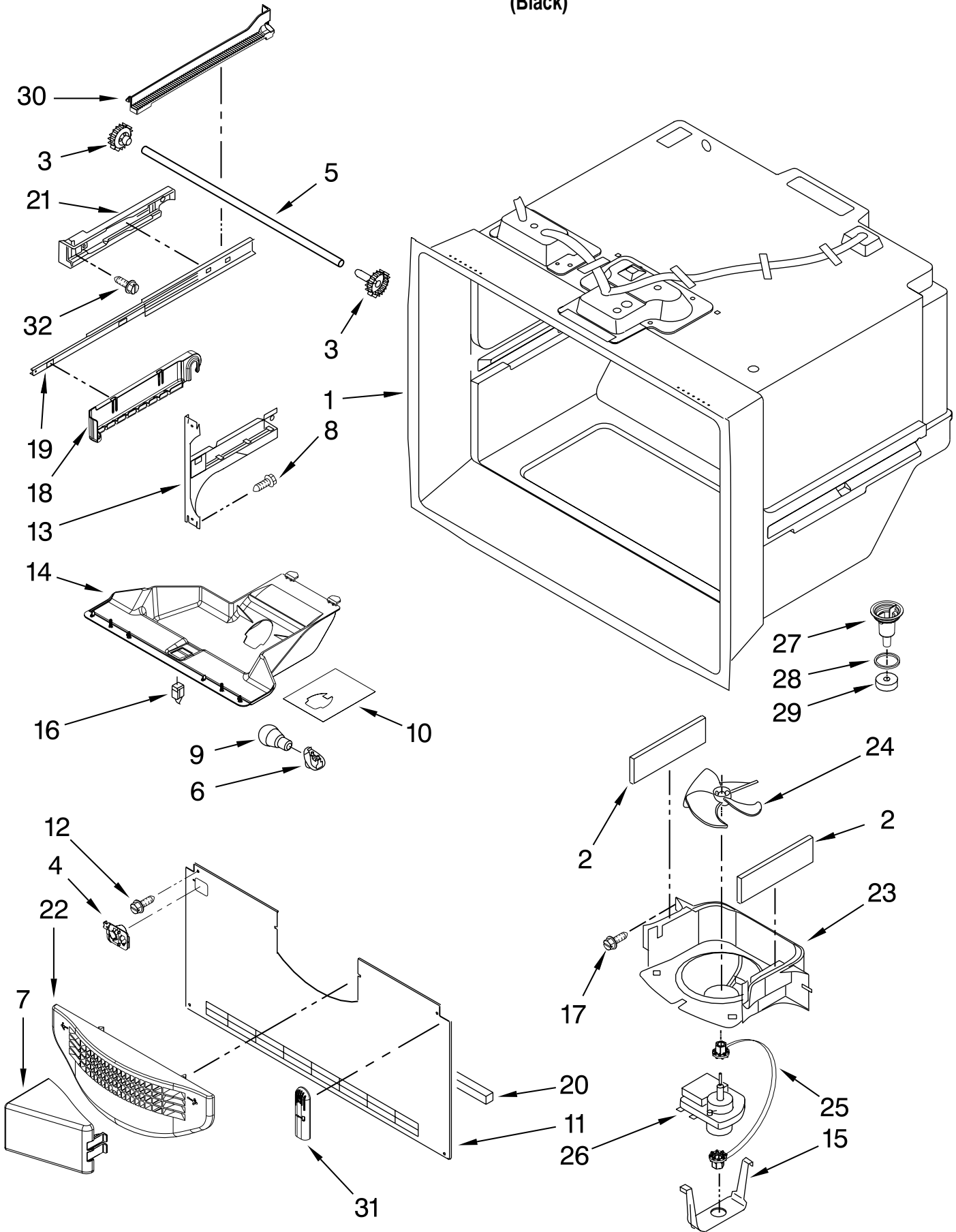
(Black)

Illus.	Part	
No.	No.	DESCRIPTION
1		Literature Parts
	W10477601	Tech Sheet
	W10334671	Owners Manual
	W10217668	Tag, Energy
2	W10210988	Tube, Drain
3	12698403	Block, Pivot
4	B5759655	Gasket
5	12820505	Insulation, Sound
6	10351006	Pin, Center Hinge
7	A3076901	Plug, Button
8	12990504	Screw
9	12992602	Screw
10	12626910ED	Hinge, Top Right
11	W10339086	Screw (6)
12		Cover, Right Hinge
	12629801B	Black
13		Cover, Left Hinge
	W10217485	Black
14	12992403	Screw (6)
15	12692302ED	Hinge, Center
16	12777701	Block, Fill Tube
17		Cover, Corner (2)
	12587703B	Black
18	12626911ED	Hinge, Top Left
19		Roller Assy. (Front)
	W10275849	Right
	W10275850	Left
20	12991302	Screw (8)
21	12579702	Shim, Hinge
22		Grille, Toe
	W10244561N	Black
23	M0104106	Clip (2)
24	M0108107	Clamp, Tube
25	12990511	Screw (10)
26	12726003	Cover, Water Line
27	W10208593	Guard-Water Valve
28	12990303	Screw (2)
29	12831101	Sweep, Dual Tube
30	W10211855	Cover, Unit
31	W10141622	Brake, Foot
32		Cabinet (Not a Servicable Part)

FREEZER LINER PARTS

For Models: IF36BNNFSF6

(Black)



FOR ORDERING INFORMATION REFER TO PARTS PRICE LIST

FREEZER LINER PARTS

For Models: IF36BNNFSF6

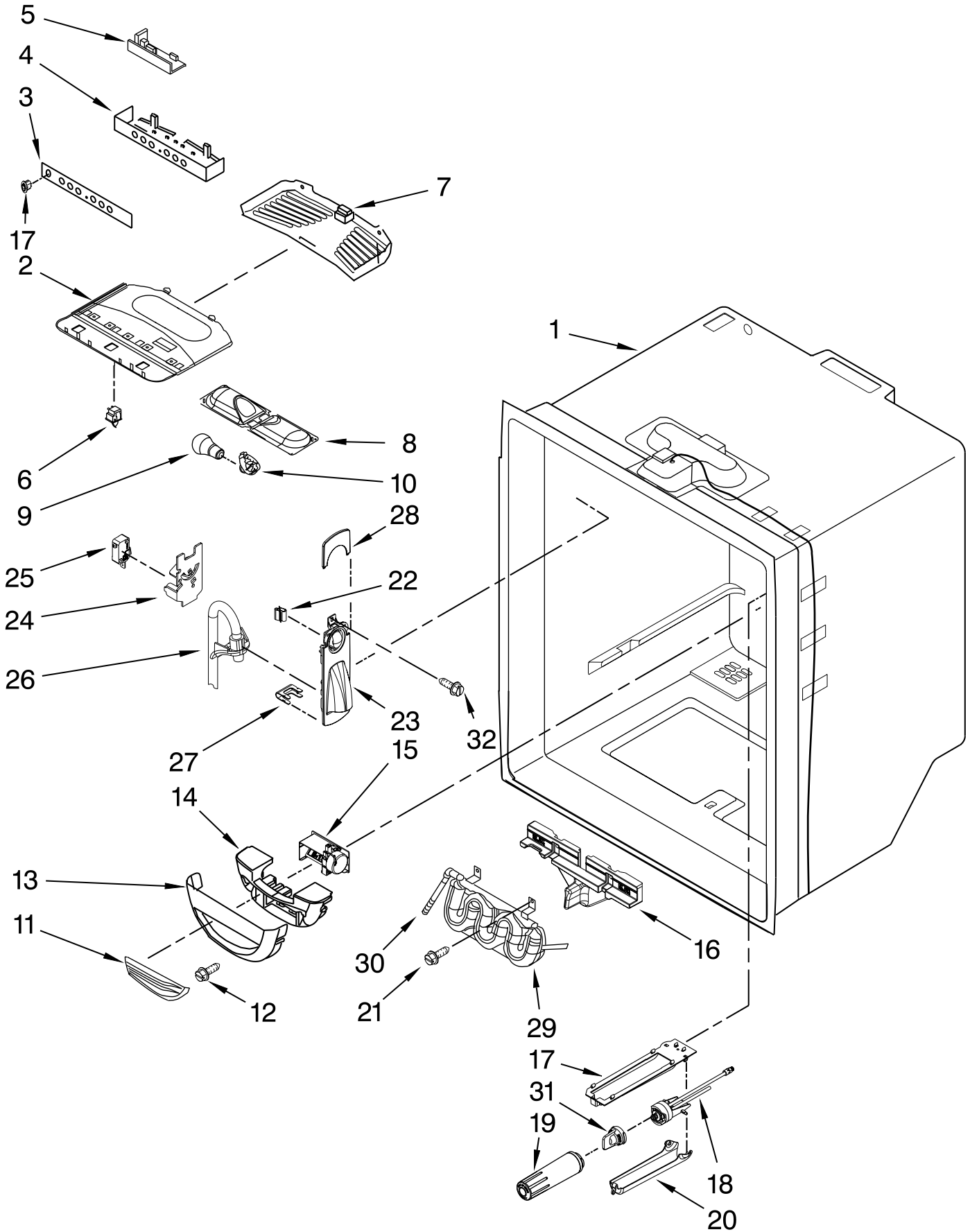
(Black)

Illus. No.	Part No.	DESCRIPTION
1		Liner (Not A Serviceable Part)
2	A3189392	Gasket, Foam
3	12002497	Gear-(L & R)
4	12932103	Guide, Fill Tube
5	12812903WD	Shaft
6	12570701	Socket, Light
7	W10157765	Diverter, Air
8	12990521	Screw (8)
9	W10311505	Bulb, Light
10	W10277466	Foil-FZ Light
11	W10308416	Cover, Evaporator
12	12990511	Screw (4)
13		Bracket, Door
	W10330991	Left
	W10330993	Right
14	W10277025	Module-FZ Light
15	13058002	Clip, Evap Motor
16	12466105	Switch, Light
17	12990504	Screw (2)
18		Cradle, Basket
	W10281115	Left
	W10281116	Right
19	W10488001N	Slide, Drawer (2)
20	A3189396	Gasket, Bottom
21		Adapter, Slide
	W10284692	Left
	W10284693	Right
22	13024803	Grille, Fz Air
23	13057901	Shroud, Evap Fan
24	2169142	Blade, Fan (Evaporator)
25	W10121318	Grommet
26	W10128551	Motor, Evaporator
27	D7753903	Funnel, Drain
28	M0500703	Seal
29	B8381501	Gasket
30	W10284696	Rack-Left Side
	W10284697	Rack-Right Side
31	12815301	Cover, Thermistor
32	12990501	Screw (6)

REFRIGERATOR LINER PARTS

For Models: IF36BNNFSF6

(Black)



FOR ORDERING INFORMATION REFER TO PARTS PRICE LIST

REFRIGERATOR LINER PARTS

For Models: IF36BNNFSF6

(Black)

Illus. No.	Part No.	DESCRIPTION
1		Liner (Not A Serviceable Part)
2	W10464764	Module, Light
3	W10225055	Overlay
4	W10464767	Housing, Control
5	W10319823	Board, Control
6	C3680310V	Switch, Light (2)
7	12806501N	Cover, Light
8	W10443023	Housing, Light
9	W10311505N	Bulb, Light (2)
10	12570701V	Socket, Light (2)
11	12806801	Insert, Damper Cover
12	12990604	Screw
13	12806701	Cover, Damper
14	13012402	Insulation
15	W10207517	Control, Damper
16	W10163893	Insulation, Water Tank
17	12704801	Plate
18	12590620	Head, Water Filter
19	13040214	Filter, Water
20	12568001	Cover, Filter
21	12990512	Screw (2)
22	B8390302	Clip, Facade (2)
23	12706909	Facade, Disp.
24	12707303	Plate, Switch
25	12575501	Switch, Limit
26	12707206	Guide, Waterline
27	12251001	Clip, Waterline
28	12707005	Facade, Disp (Top)
29	12706112	Tank, Water
30	61006182	Union
31	12664501SP	Plug, Bypass
32	12990513	Screw

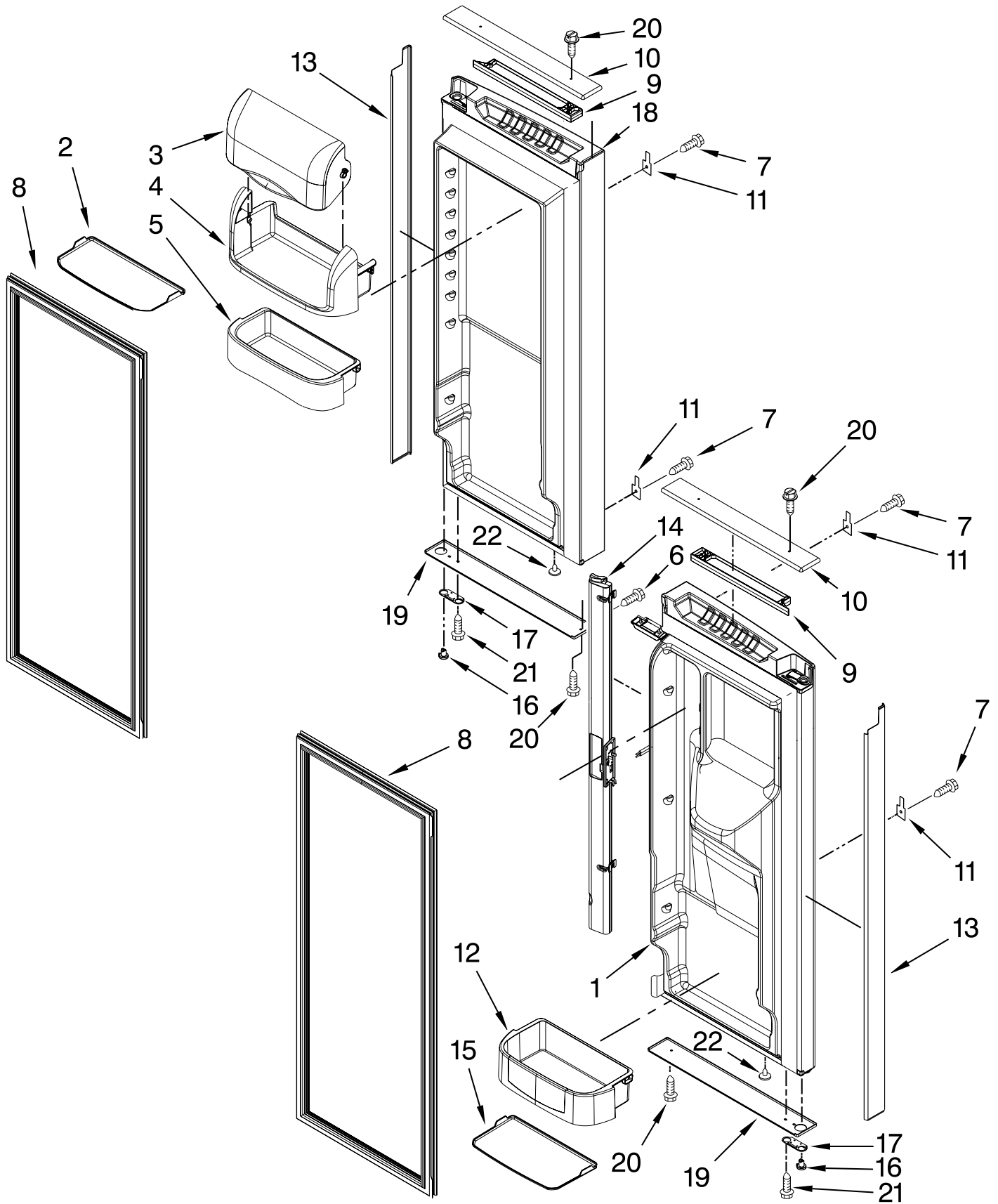
Following Parts Not Illustrated

W10224292 Harness, Control
(Refrigerator)
(Includes
Thermistor)

REFRIGERATOR DOOR PARTS

For Models: IF36BNNFSF6

(Black)



FOR ORDERING INFORMATION REFER TO PARTS PRICE LIST

REFRIGERATOR DOOR PARTS

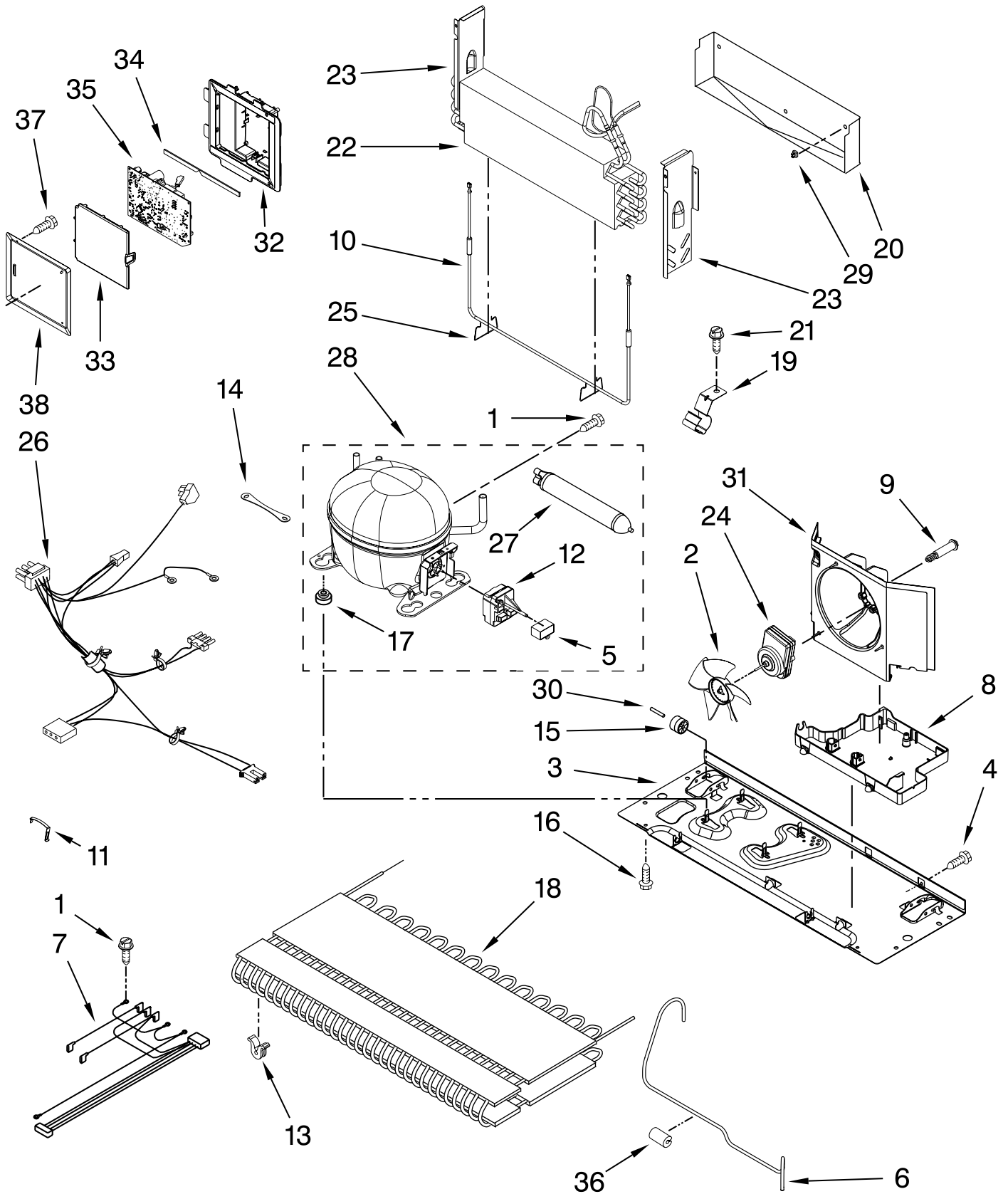
For Models: IF36BNNFSF6

(Black)

Illus.	Part	
No.	No.	DESCRIPTION
1		Door, Left
	13109304B	Black
2	12567311SP	Gripper, Medium
3	12804701SP	Door, Dairy
4	12369502SP	Tray, Dairy
5	W10371193	Bin, Shelf (3) (Medium)
6	12990204	Screw
7	12992701	Screw
8		Gasket, Door (2)
	W10435968	Black
9	12752801B	Extension, French Door
10		Trim, Top
	12752907S1	Left Hand
	12752908S1	Right Hand
11	12315104	Clip, Handle
12	W10289496	Bin, Shelf (2) (Gallon)
13		Trim, Vertical
	12694501S1	Left Hand
	12694502S1	Right Hand
14		Mullion, Door
	12722803BN	Black
15	12567313SP	Gripper, Gallon
16		Closure, Door
	12028505B	Black
17		Stop, Door
	10447112	Black
18		Door, Right
	13109303B	Black
19		Trim, Bottom
	12752909S1	Right Hand
	12752910S1	Left Hand
20	12990504	Screw
21	12990521	Screw
22	12699301B	Bushing, Door

UNIT PARTS

For Models: IF36BNNFSF6
(Black)



FOR ORDERING INFORMATION REFER TO PARTS PRICE LIST

UNIT PARTS

For Models: IF36BNNFSF6
(Black)

Illus. No.	Part No.	DESCRIPTION
1	12992301	Screw
2	12825803	Blade, Fan
3	W10480111	Basepan
4	12990511	Screw
5	2264017	Capacitor
6	W10233569	Tube, Discharge
7	W10292242	Harness, Evap. (Incl.Def.Heater)
8	W10296785	Pan, Drain
9	W10216919	Screw, Shoulder
10	12729129	Heater, Defrost
11	W10174384	Strap, Bale
12	W10194431	Start Device
13	W10137529	Grommet, Cond (4)
14	W10236396	Strap, Compressor
15	12477102	Roller (2)
16	12992101	Screw
17	10835903SP	Grommet (4)
18	W10346415	Condenser
19	W10281329	Clip, Drier
20	W10292803	Tray, Drip
21	12990701	Screw
22	W10317014	Evaporator

Illus. No.	Part No.	DESCRIPTION
23		Dam
	12225702	Right Side
	12225602	Left Side
24	W10239053	Motor, Fan
25	10428101	Clip, Heater
26	W10234025	Harness, Unit Includes Power Cord & Thermistor
27	W10143759	Drier
28	W10187125	Compressor (Includes items 11,12,17,27)
29	10623002	Clip, Evaporator
30	12477202	Axle, Roller (2)
31	W10189184	Shroud
32	W10257665	Box, HV Control
33	W10317076	Lid, HV Box
34	12957801SP	Gasket, HV Box
35	W10317076	Board, Control (HV, Apollo)
36	2319835	Grommet-Condenser
37	12990702	Screw
38	12961602	Cover-Control Box

Illus. Part
No. No. DESCRIPTION

Following Parts Not Illustrated
and Optional Parts Not Included

978025	Valve, Access (1/4")
978026	Valve, Access (5/16")
978027	Valve, Access (3/8")
978028	Valve, Access (1/2")
978029	Valve, Access (5/8")
978030	Valve, Access (3/4")
876764	Valve, Access (3/16")

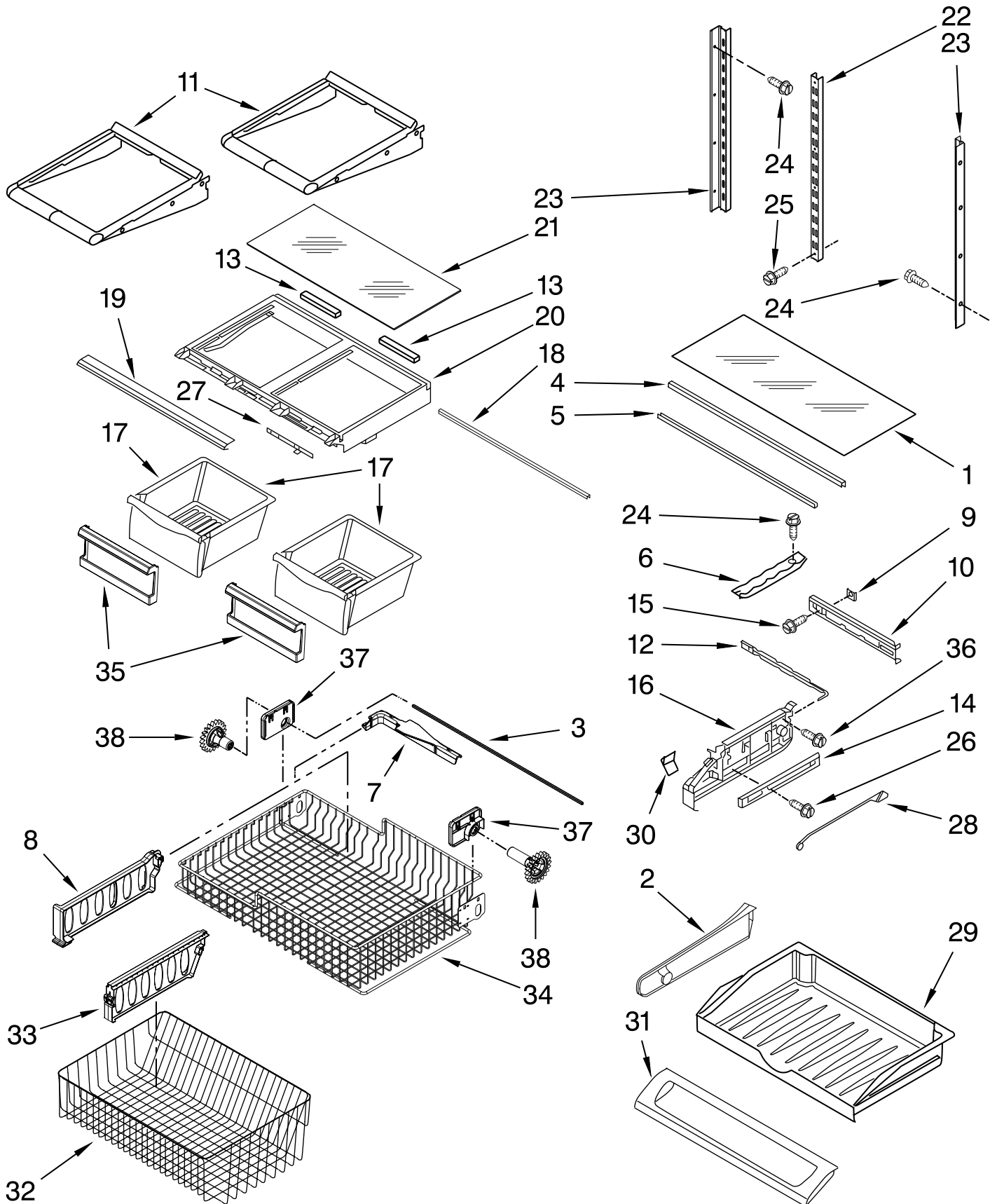
REFRIGERANT CHARGE

5.25 Ozs.
(R-134A)

SHELF PARTS

For Models: IF36BNNFSF6

(Black)



FOR ORDERING INFORMATION REFER TO PARTS PRICE LIST

SHELF PARTS

For Models: IF36BNNFSF6

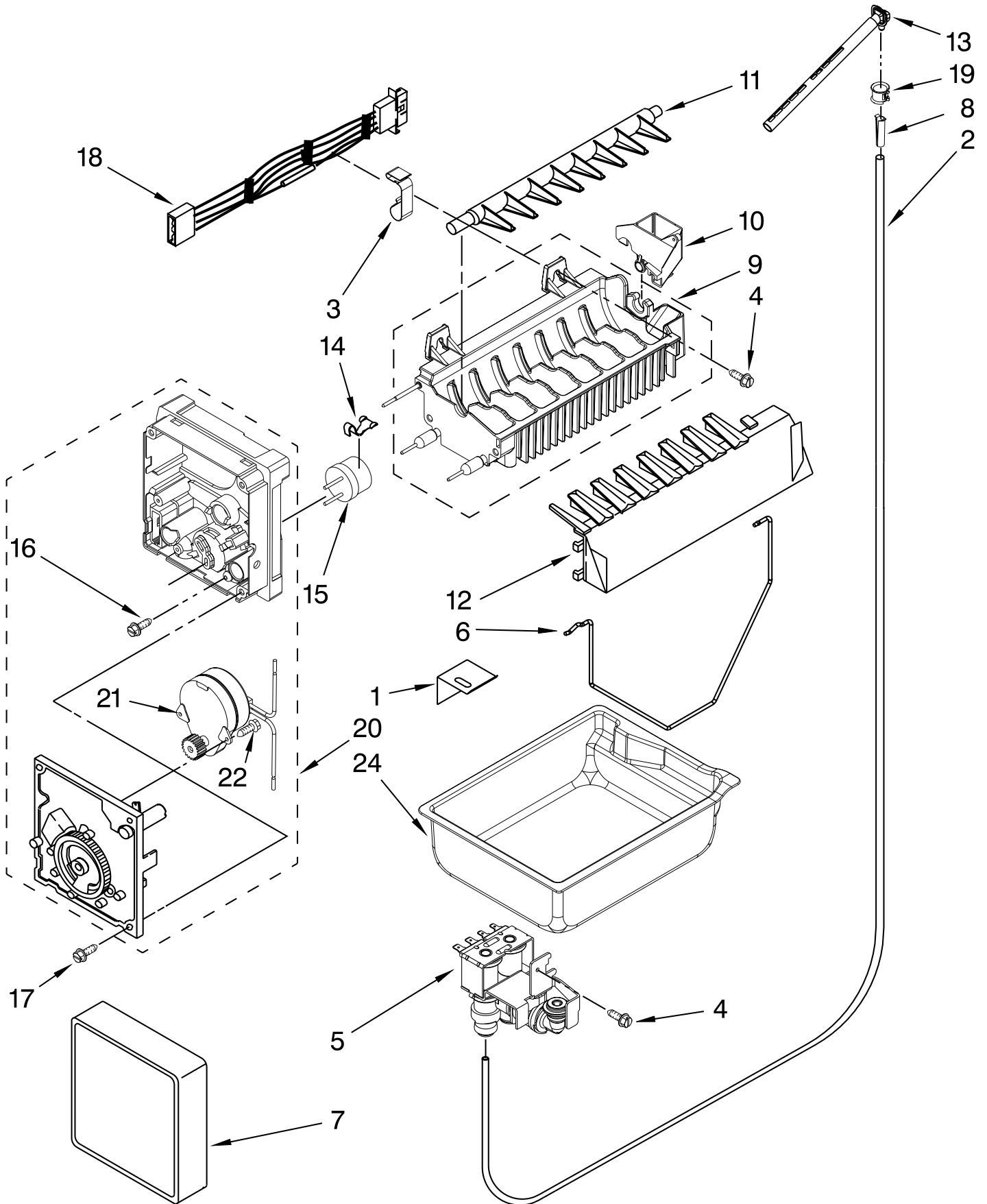
(Black)

Illus. No.	Part No.	DESCRIPTION
1	12204829	Glass, Pantry
2	12709301N	Divider, Pantry Drawer
3	12812904WD	Shaft-Rack
4	12655902SP	Extr, Glass Support (2)
5	12227305WH	Brace, Pantry (2)
6	12531901	Track, Pantry
7	W10149389N	Lift-Bail Arm
8	W10241046	Divider, Upper Basket
9	12656901	Gasket, Pantry
10	12656202	Housing, Control
11	12463911	Shelf, Glide (4)
12	12655402	Slide, Temperature
13	10685512	Gasket
14	W10235370	Glide, Drawer(2)
15	12990513	Screw
16		Track, Pantry
	12656105	Left
	12656018	Right
17	12531105SP	Pan, Crisper (2)
18	12227304WD	Brace, Crisper
19	W10231488N	Trim, Crisper
20	12531202SP	Frame, Crisper
21	12204821N	Glass, Crisper Cover
22	W10273463	Ladder, Center
23	W10251971	Ladder, Side
24	12990513	Screw (6)
25	W10215666	Screw (2)
26	12990504	Screw (4)
27	12530805SP	Slide, Humidity Control
28	12655303	Rod, Temperature Control
29	12655702N	Drawer, Pantry
30	12655204	Knob, Temperature Control
31	12656813	Door, Pantry Drawer
32	W10150040	Basket, Freezer (Lower)
33	W10150061	Divider, Lower Basket
34	W10348245	Basket, Freezer (Upper)
35	12643802SP	Front, Crisper Pan
36	12990512	Screw (4)
37		Mount-Gear
	W10348260	Right
	W10348259	Left
38		Gear
	W10474715	Long-Right
	W10474716	Short-Left

ICEMAKER PARTS

For Models: IF36BNNFSF6

(Black)



FOR ORDERING INFORMATION REFER TO PARTS PRICE LIST

ICEMAKER PARTS

For Models: IF36BNNFSF6

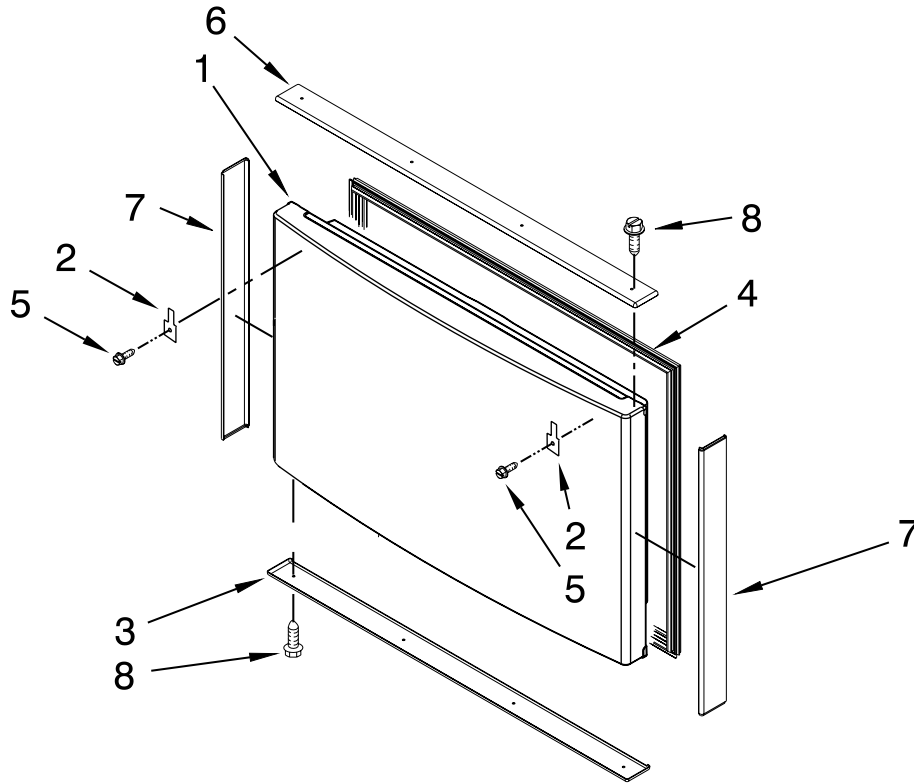
(Black)

Illus.	Part	
No.	No.	DESCRIPTION
1	2256086	Bracket, Ice Maker
2	B5705333	Tube, Plastic
3	10526702	Clamp
4	489464	Screw
5	W10420083	Valve-Inlet
6	W10512602	Arm-Shut Off
7	W10377174	Cover, Front
8	A3223101	Insert, Tube
9	W10300025	Mold & Heater Assembly (Also Order 542638)
10	W10410073	Cup Water fill
11	W10318914	Ejector
12	W10122563	Ice Stripper
13	10463203	Elbow, Fill Tube
14	628379	Retainer
15	W10290336	Thermostat Order 542369 Cement Alumilastic)
16	8533917	Screw
17	489464	Screw
18	W10458985	Harness, Ice Maker
19	M0114003	Clip, Speed
20	W10281342	Module Assembly (Includes Items 21 & 22)
21		Motor (Not Available, Order #20)
22	489136	Screw
24	W10171529N	Pan, Ice
100	W10469286	Complete Ice Maker

FREEZER DOOR PARTS

For Models: IF36BNNFSF6

(Black)



Illus. No.	Part No.	DESCRIPTION
1	13109225B	Door, Freezer Black
2	12315104	Clip, Handle
3	12521108S1	Trim, Bottom
4	W10436252	Gasket, Door Black
5	12992701	Screw
6	12521109S1	Trim, Top
7	12694508S1	Trim, Vertical
8	12991102	Screw

FOR ORDERING INFORMATION REFER TO PARTS PRICE LIST

OPTIONAL PARTS (NOT INCLUDED)

For Models: IF36BNNFSF6

(Black)

Illus.	Part	
No.	No.	DESCRIPTION

Miscellaneous

212643	Sealer, Gum (4 Feet)
479502	Tape, Vinyl (3/4 x 108")
876370	Kit, Insulation (2 Pcs. x 3" x 24" X 48")
876305	Kit, Insulation (14 Pcs. x 3" x 24" x 48")
978941	Insulation, Fiberglass (63-1/2" x 35-1/2" X 2-5/8)
876029	Kit, Foam Slab (30" x 32-1/2" x 1-1/2")
505587	Sealer, Mastic (1 Qt.)
503695	Cork, Sealer (1/4 Pound)
20000008	Cleaner, Stnls Steel Magic
542638	Grease, Silicone (1/2 Oz.)
542639	Cement, Alumilastic (1-1/4 Oz.)
606755	Bag, Insulation (36-5/8" x 46")
799833	Kit, Evaporator Repair (Aluminum Epoxy)
833938	Kit, Terminal Connector

TORX SCREW WRENCH

1117510 Torx Key