



LET THE SHOW BEGIN

# PARTS CATALOG

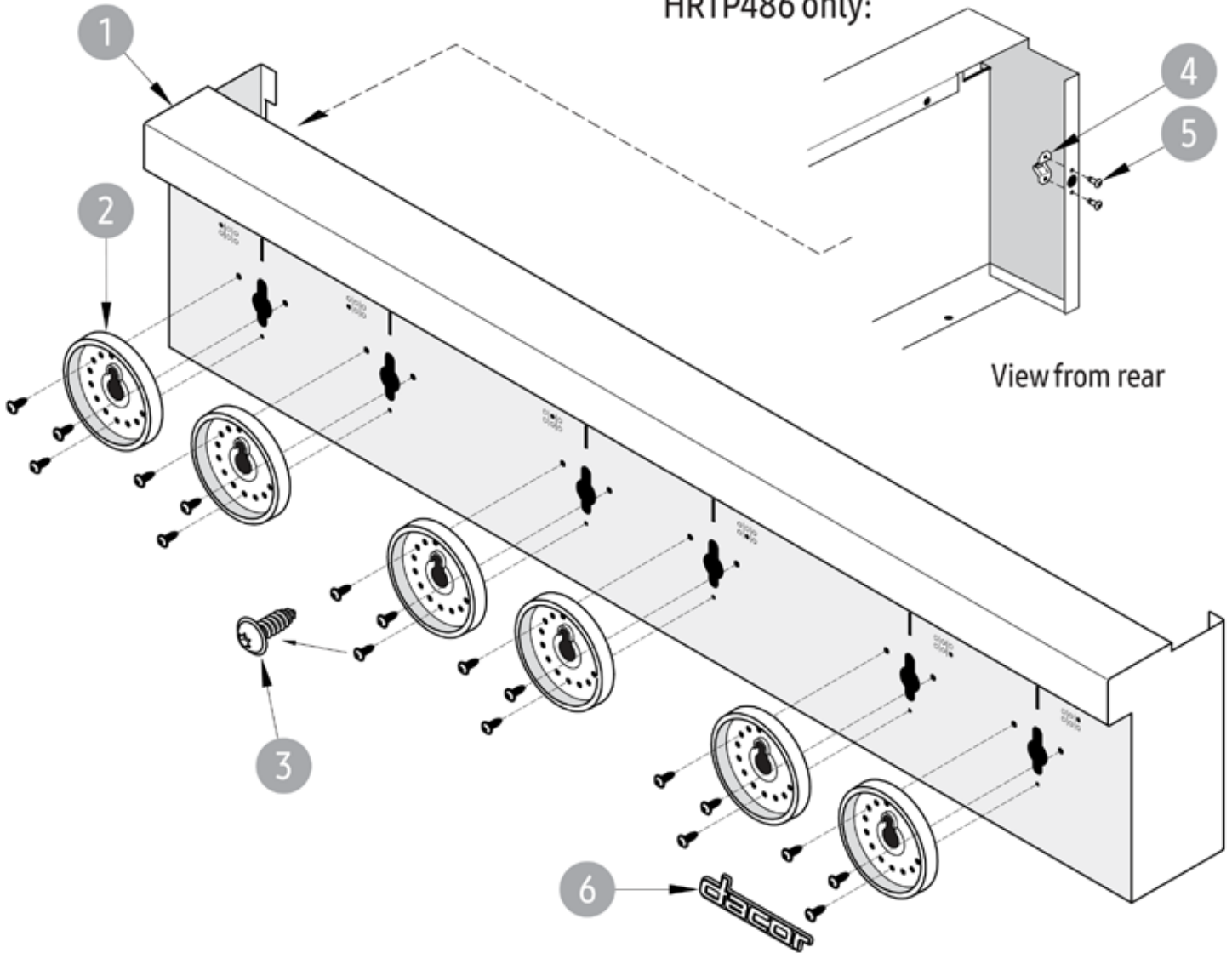
## H RTP366/486 Heritage Rangetop Pro

Assembly Drawings and Parts Lists	
Click Page	Description
<a href="#">2</a>	Control-Panel Assembly
<a href="#">3</a>	Control-Panel Sub-Assembly
<a href="#">4</a>	Cooktop Assembly
<a href="#">6</a>	Cooktop Sub-Assembly
<a href="#">8</a>	Cooktop Sub-Assembly—Gas System

# H RTP366 (703434)/H RTP486 (703440): Control-Panel Assembly & Parts List

H RTP366 Shown

H RTP486 only:

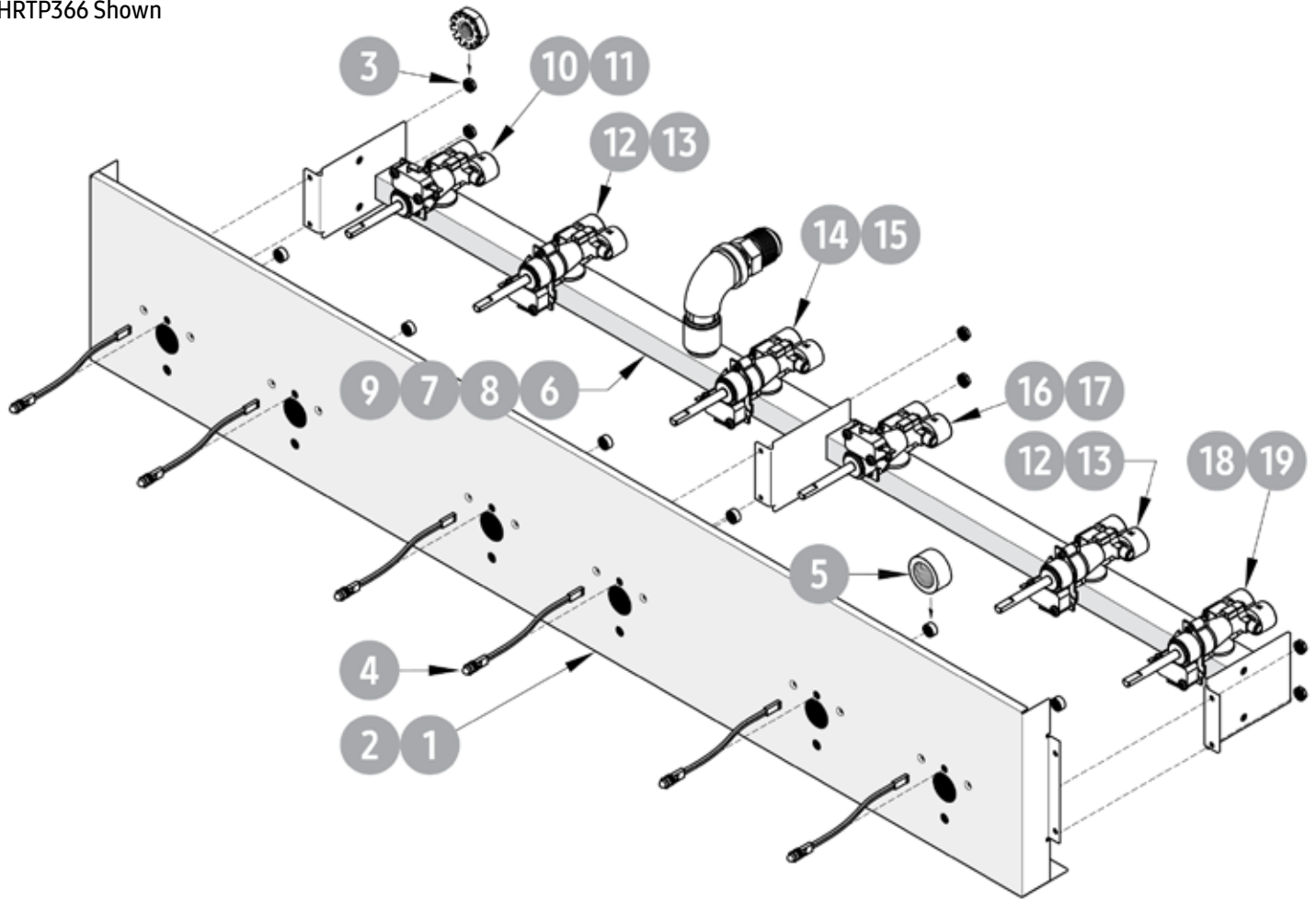


Item	P/N	Description
1	703435E (36") 703439 (48")	Control-Panel Weldment
2	113485	Trim Ring
3	83709	#8 x 1/2" Black Oxide Torx Screw
4	83540 (48" only)	Ball-Stud Catch
5	83652 (48" only)	1/8" Domehead Rivet
6	110168	100 mm Heritage Logo

Return to Page 1

# H RTP366 (703530)/H RTP486 (703441): Control-Panel Sub-Assembly & Parts List

H RTP366 Shown

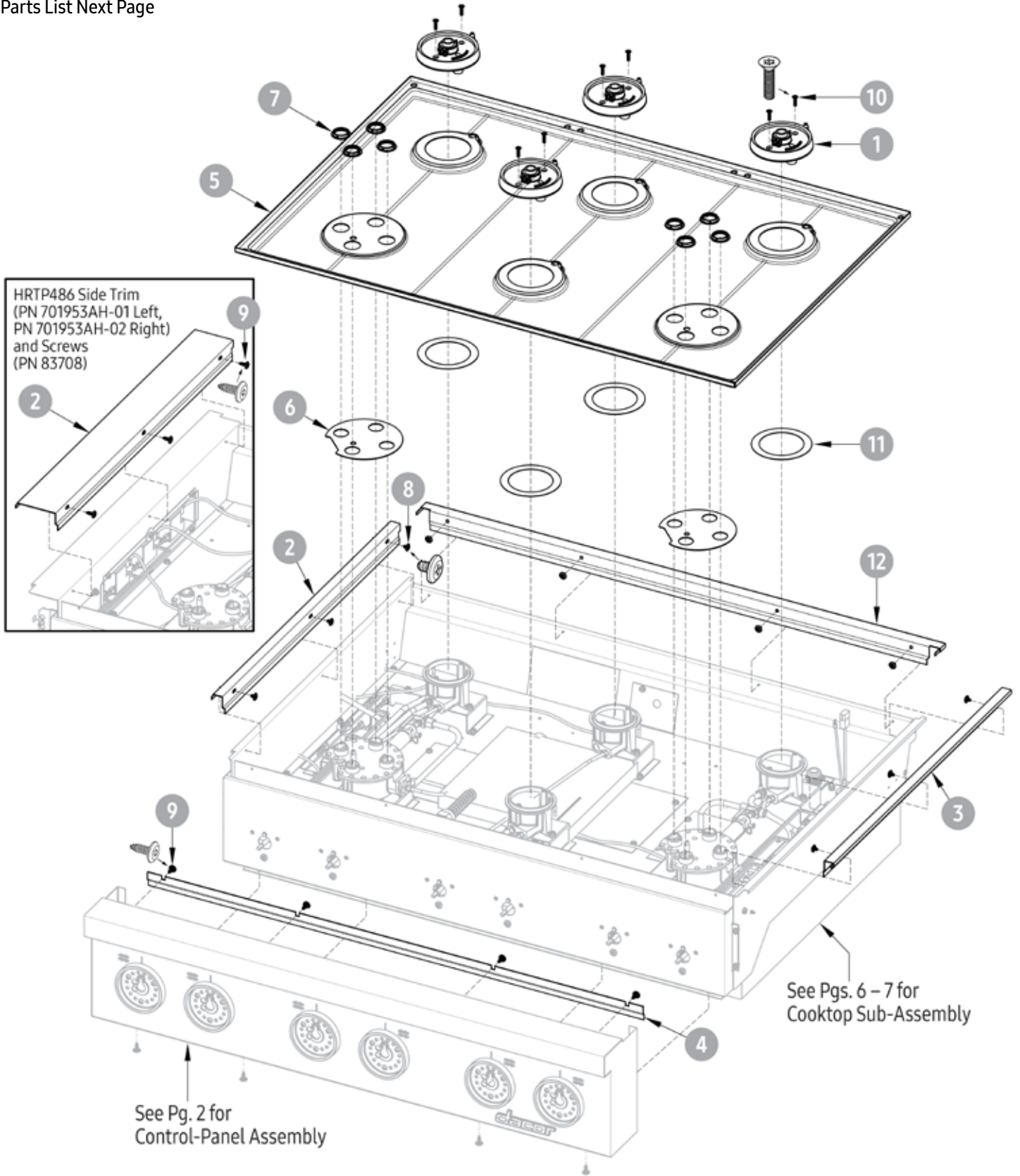


Item	P/N	Description
1 (36") 2 (48")	702060 (36") 702128A (48")	Sub-Panel Stud Assembly
3	83308	6-32 Keps Nut
4	113612	Brighter LED/Socket Assembly
5	103757	LED Retaining Ring
6 (36") 7 (48")	703163-01 (36") 702127-01 (48")	Natural-Gas Manifold Assembly
8 (36") 9 (48")	703163-02 (36") 702127-02 (48")	Liquid-Propane Manifold Assembly
10	101561-01	8500 BTU Valve Natural Gas (Left-Rear Burner)
11	101561-06	8500 BTU Valve Liquid Propane (Left-Rear Burner)
12	101561-03	18,000 BTU Valve Natural Gas (Left-/Right-Front Burners)
13	101561-08	18,000 BTU Valve Liquid Propane (Left-/Right-Front Burners)
14	101561-02	16,000 BTU Valve Natural Gas (Center-Rear Burner)
15	101561-07	16,000 BTU Valve Liquid Propane (Center-Rear Burner)
16	101561-05	16,000 BTU Valve Natural Gas (Center-Front Burner)
17	101561-10	16,000 BTU Valve Liquid Propane (Center-Front Burner)
18	101561-04	8500 BTU Valve Natural Gas (Right-Rear Burner)
19	101561-09	8500 BTU Valve Liquid Propane (Right-Rear Burner)

[Return to Page 1](#)

# H RTP366 (703432)/H RTP486 (703442): Cooktop Assembly

H RTP366 Shown  
Parts List Next Page



Return to Page 1

## H RTP366 (703432)/H RTP486 (703442): Cooktop-Assembly Parts List

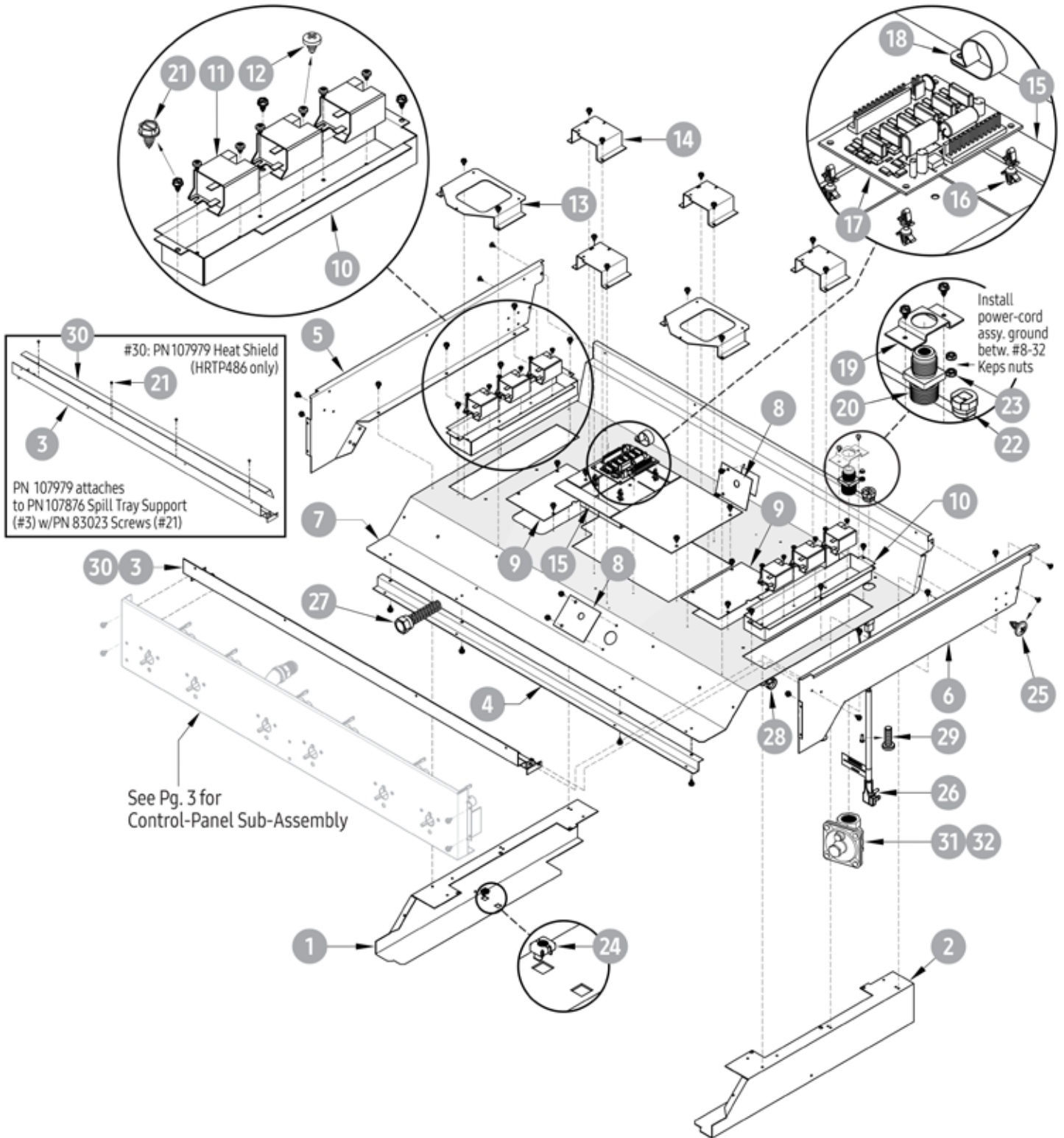
Item	P/N	Description
1	112089	Pyral 16K Base Assembly
2	703323-01 (36") 701953AH-01 (48")	Left-Hand Side-Trim Weldment
3	703323-02 (36") 701953AH-02 (48")	Right-Hand Side-Trim Weldment
4	107977AH (36") 107891AH (48")	Front Cooktop Trim
5	113694BP (36") 107773BP (48")	Black-Porcelain Spill Tray
6	700145	Graphite Dual-Burner Gasket
7	700017	M22 x 1 Brass Ring
8	102373 (36" only)	#8-18 x ¼" Screw
9	83708	#8 x ½" Torx Wafer Head Screw
10	700007	Counter Sink Torx Screw
11	112044	16K (94mm Dia.) Gasket
12	702056AH (36") 702057AH (48")	Rear-Trim Weldment

[Return to Page 4](#)

[Return to Page 1](#)

# H RTP366 (703436)/H RTP486 (703441): Cooktop Sub-Assembly

H RTP366 Shown  
Parts List Next Page



Return to Page 1

## H RTP366 (703436)/H RTP486 (703441): Cooktop Sub-Assembly Parts List

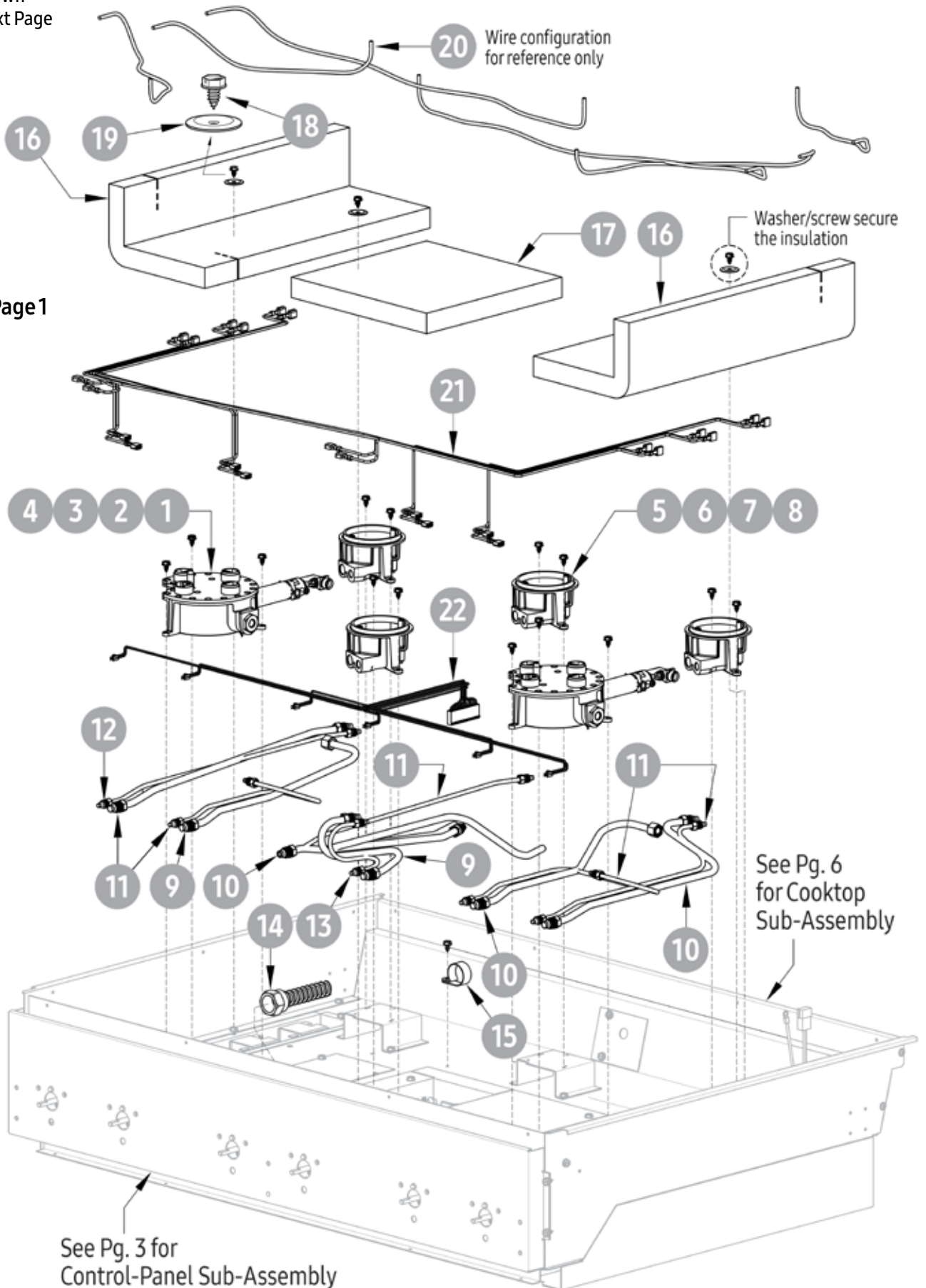
Item	P/N	Description
1	107993-01	Left-Hand Lower Support
2	107993-02	Right-Hand Lower Support
3	113700 (36") 107876 (48")	Spill-Tray Support
4	107991 (36") 108314 (48")	Bottom Bracket
5	107873-01	Left-Hand Upper Support
6	107873-02	Right-Hand Upper Support
7	113375 (36") 113531 (48")	Base Chassis
8	102159	Manifold-Hole Cover
9	108243	Transformer-Access Cover
10	107976 (36") 108238 (48")	Igniter-Enclosure Box
11	72634	Re-ignition Module
12	83001	8 x 1/4" Phillips Panhead Screw
13	107877	Large-Burner Support
14	107878	Medium-Burner Support
15	113698	LED-Isolator-Board Box
16	83538	Nylon PCB Support
17	106104	LED-Isolator Board
18	83168	1" Cable Clamp
19	101675	Adapter Bracket
20	100760	Flare Connector
21	83023	#10 x 3/8" Slotted Hex-Washer-Head Screw
22	83141	Strain-Relief Bushing
23	83048	#8-32 Hex Keps Nut
24	83398	1/4-20 Tinnerman Retainer Nut
25	83263	Round Washer Phillips-Head Screw
26	72765	Power-Supply Cord
27	102063	Manifold Flex-Tubing Main
28	83037	Push-Mount (Locking) Tie
29	83572	8-32 x 1/2" Screw
30	107979 (48" only)	Heat Shield
31	62834	Maxitrol RV48CL 5" WC Natural-Gas Regulator
32	72980	10" Liquid-Propane Regulator

[Return to Page 1](#)

# H RTP366 (703436)/H RTP486 (703441): Cooktop Sub-Assembly—Gas System

H RTP366 Shown  
Parts List Next Page

Return to Page 1





## H RTP366 (703436)/H RTP486 (703441): Cooktop Sub-Assembly—Gas-System Parts List

Item	P/N	Description
1	701985-01	NG 18K Dual-Burner Assembly
2	701985-02	LP18K Dual-Burner Assembly
3	701985-03	NG/H 18K Dual-Burner Assembly
4	701985-04	LP/H 18K Dual-Burner Assembly
5	701989-01	NG 15K Injector-Holder Assembly
6	701989-02	LP15K Injector-Holder Assembly
7	701989-03	NG/H 15K Injector-Holder Assembly
8	701989-04	LP/H 15K Injector-Holder Assembly
9	100927	M/M Stainless-Steel Flex-Tubing $\frac{5}{16}$ x 9
10	100578	M/F Stainless-Steel Flex-Tubing $\frac{5}{16}$ x 21
11	100579	M/M Stainless-Steel Flex-Tubing $\frac{5}{16}$ x 18
12	100580	M/M Stainless-Steel Flex-Tubing $\frac{3}{16}$ x 18
13	100929	M/M Stainless-Steel Flex-Tubing $\frac{3}{16}$ x 9
14	102063	Manifold Flex Tubing Main
15	83168	1" Cable Clamp
16	81608	Left/Right Igniter-Module Insulation
17	100910	Single-Point Igniter Insulation
18	83023	#10 x $\frac{3}{8}$ " Slotted Hex-Washer-Head Screw
19	83533	.88 Outside Dia./ .165 Inside Dia. Washer
20	108379	Igniter-Wire Set
21	108380	110 VAC Line Wire Harness
22	108381	5 VDA Line Wire Harness