

dacor

LET THE SHOW BEGIN



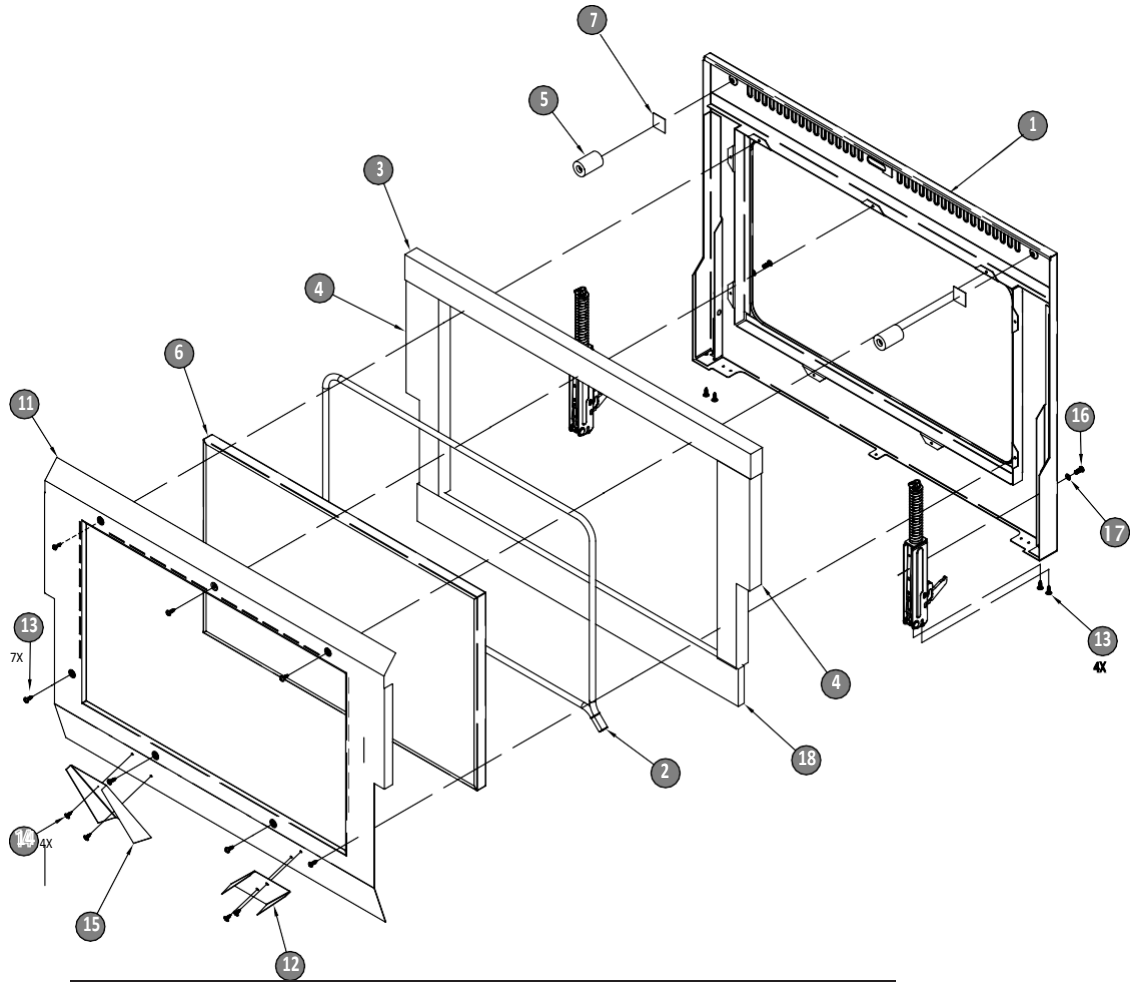
HG30

PARTS CATALOG

HGER30 Heritage Gas Epicure Range

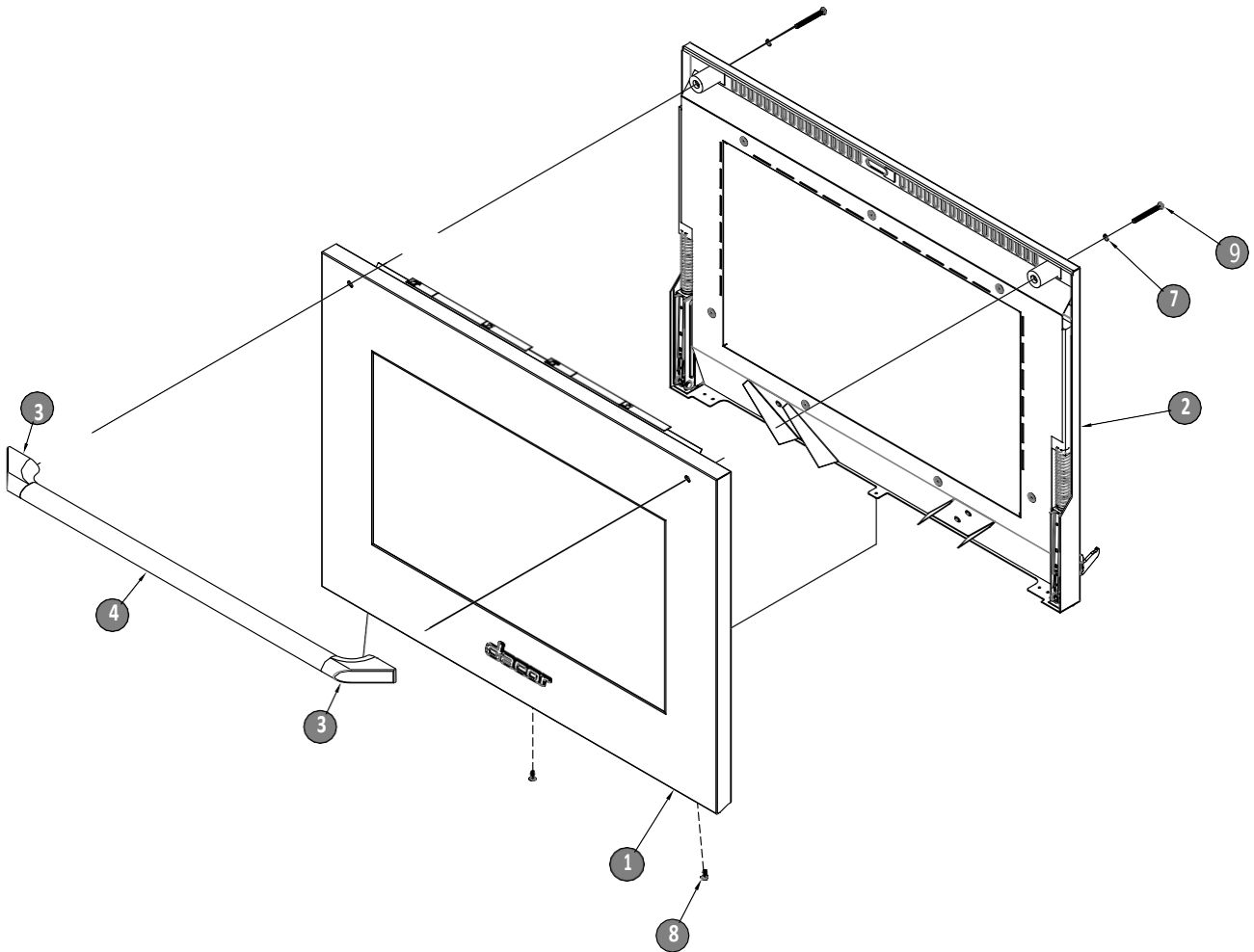
Assembly Drawings	
Page	Description
<u>2</u>	Door Liner Assembly
<u>3</u>	Door Assembly
<u>4</u>	Door Skin Assembly
<u>5</u>	Control Panel Assembly
<u>6</u>	Sub Panel Assembly
<u>8</u>	Oven Case Assembly
<u>10</u>	Oven Assembly
<u>12</u>	Oven Base Assembly
<u>14</u>	Cooktop Sub Assembly
<u>16</u>	Cooktop Oven Assembly
<u>20</u>	Assembly Range
<u>24</u>	Assembly Range With Caps And Grates

HGER30 - DOOR LINER ASSEMBLY PARTS LIST



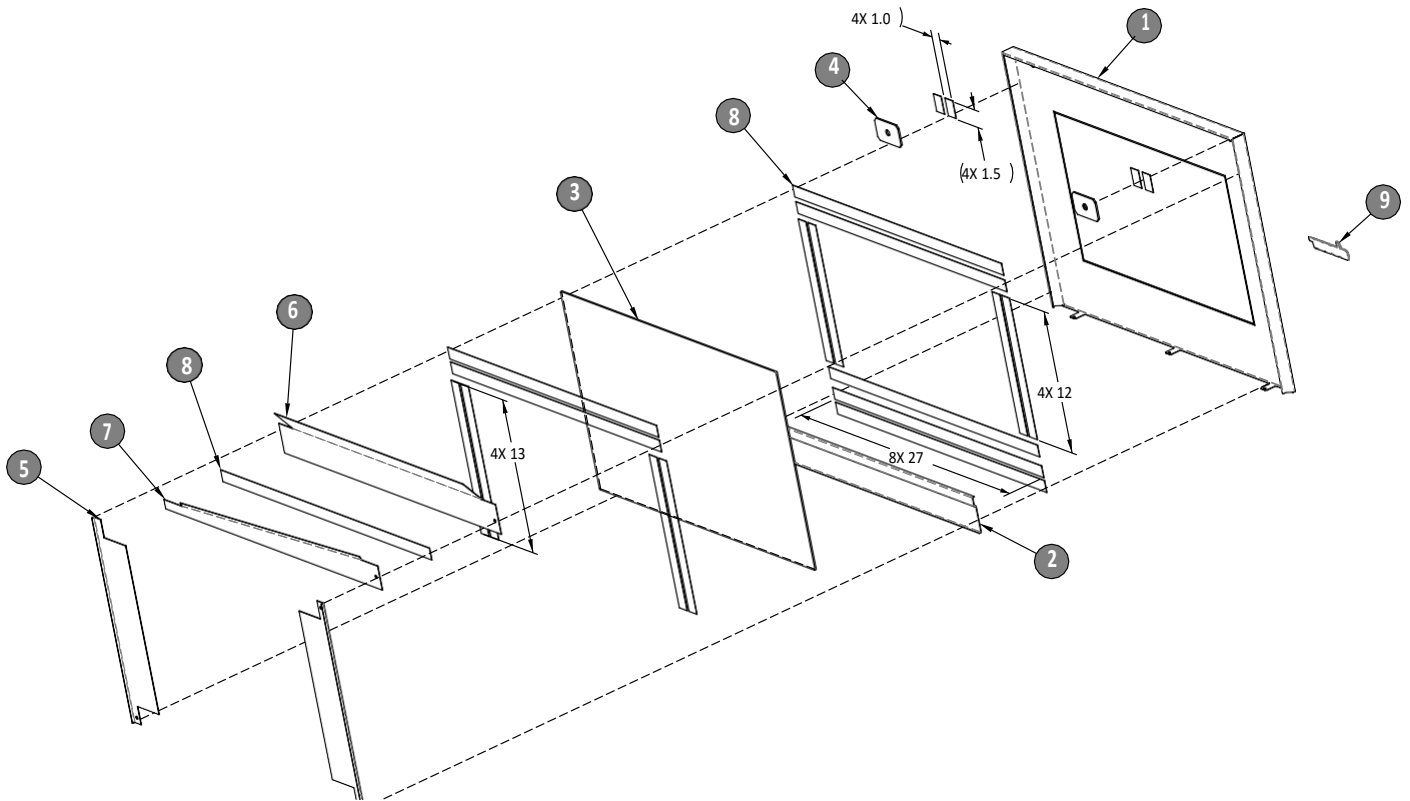
Item	Part No.	Description
1	701875-05BP	WELD ASSY, LINER, DOOR, 1IN THK, 36/48IN CELL
2	100015	GASKET, WINDOW PACK, 36"/48"L
3	108826	INSULATION, TOP DOOR
4	108823	INSULATION, SIDE DOOR
5	72793	SPACER, DOOR LINER
6	72968	WINDOW PACK, 30IN
7	92387	TAPE, VHB, DOUBLE SIDED
11	108831B	SHIELD, HEAT, 30.25IN., BLACK
12	105470-02	DOOR BOTTOM AIR DEFLECTOR, RH
13	83709	SCREW, #8 X 1/2", TORX, BLK OXIDE
14	83263	SCREW, PHIL TRS, #8 X 3/8, BLK
15	105470-01	DOOR BOTTOM AIR DEFLECTOR, LH
16	83420	SCREW, BTN SHCS
17	83432	WASHER, BLACK FLAT
18	108825	INSULATION, BOTTOM DOOR
	108008	HINGE, SPRING

HGER30 - DOOR ASSEMBLY PARTS LIST



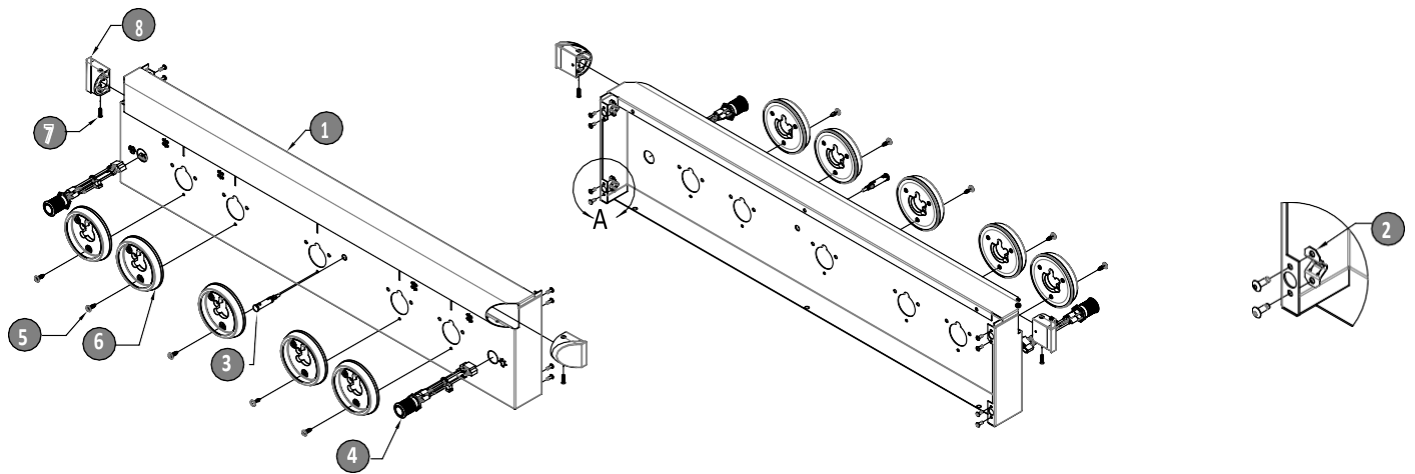
Item	Part No.	Description
1	703460	ASSY, DOOR SKIN
2	702301-03	ASSY. DOOR LINER
3	100390CH	END CAP, HANDLE, EPICURE, CHROME
4	72708	DOOR HANDLE
5	83340	#10 LOCK WASHER
6	83709	SCREW, #8 X 1/2", TORX, BLK OXIDE
7	100026	SCREW, #10-32 X 2.000, TORX, PAN HEAD

HGER30 - DOOR SKIN ASSEMBLY PARTS LIST



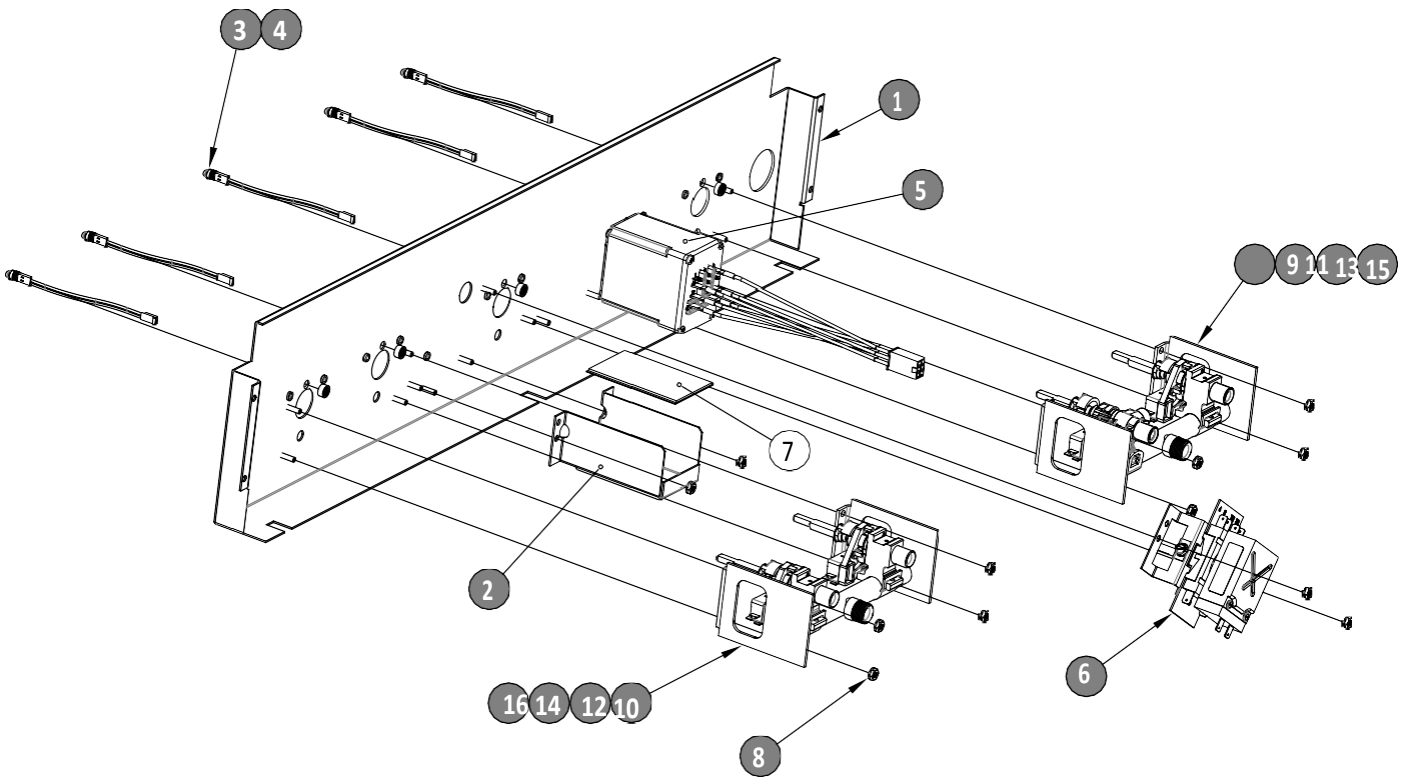
Item	Part No.	Description
1	701907	WELDMENT, DOOR SKIN, 1IN THK
2	108406B	PANEL, BACKING BOTTOM
3	113456-01	TINTED DARK GRAY
4	102438	WASHER, DOOR HANDLE
5	108400B	SHIELD, HEAT, SIDE
6	108673B	DEFLECTOR, AIR DOOR, 30.25IN
7	108674B	GUTTER SHIELD, DOOR 30.25IN
8	92387	TAPE, VHB, DOUBLE SIDED
9	110169	HERITAGE LOGO, 120mm

HGER30 - CONTROL PANEL ASSEMBLY PARTS LIST



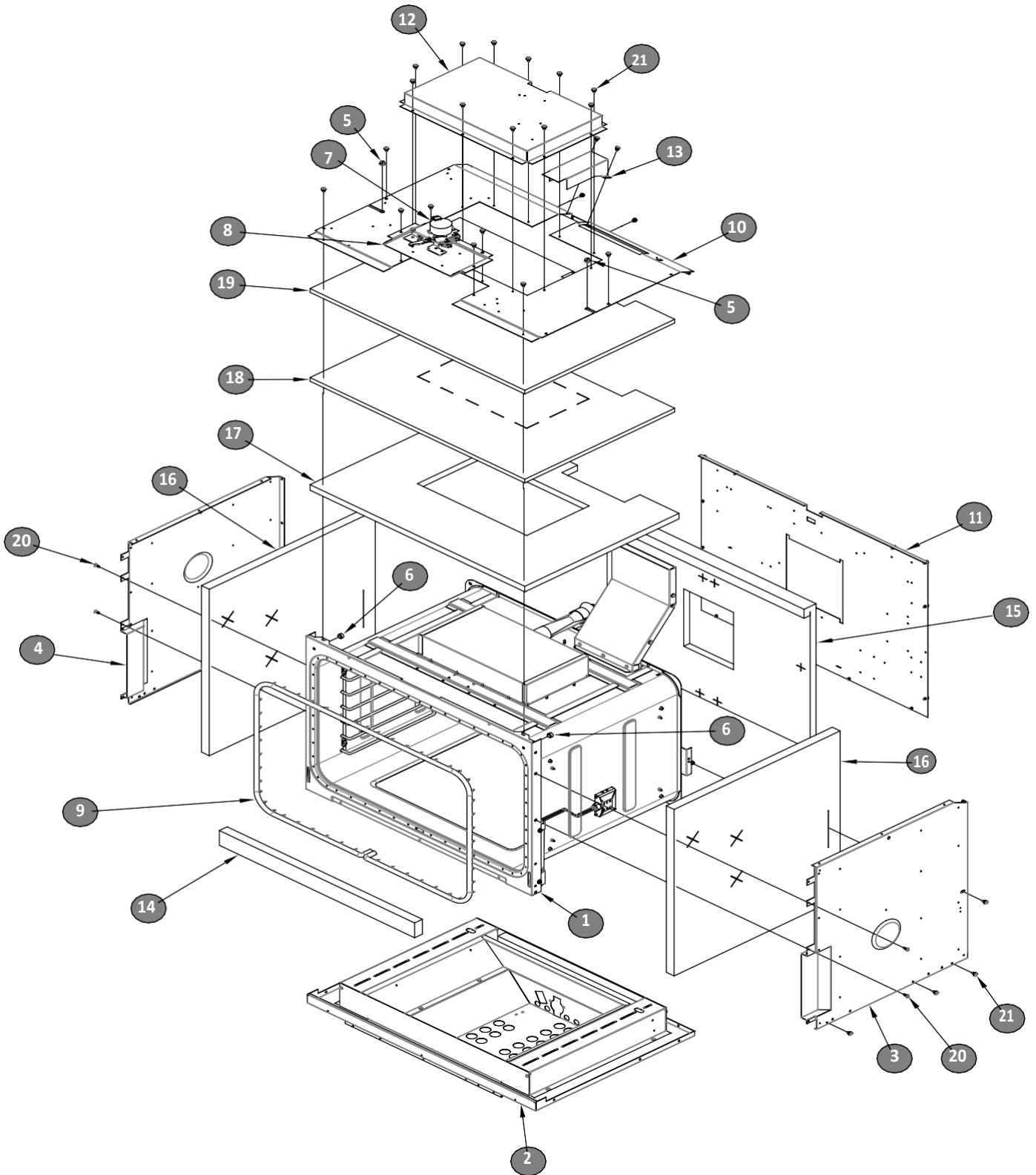
Item	Part No.	Description
1	703461E	ETCHED & WELDED CONTROL PANEL
2	83540	BALL STUD CATCH
3	113727	OVEN INDICATOR LIGHT
4	703391	ASY, SWITCH-PIGTAIL
5	83709	SCREW, #8 X 1/2", TORX, BLK OXIDE
6	100122CH	TRIM RING, EPICURE, CHROME
7	101505	SCREW, MACHINE, 4-40 X 1/2,
8	100128CH	ENDCAP, EPICURE, CHROME

HGER30 - SUB PANEL ASSEMBLY PARTS LIST



Item	NG Part No.	LP Part No.	NG/H Part No.	LP/H Part No.	Description
1	702263	702263	702263	702263	ASSY, STUD, SUB-PANEL
2	108633	108633	108633	108633	BRACKET, TIME RELAY
3	113612	113612	113612	113612	ASSY, BRIGHTER LED/SOCKET
4	103757	103757	103757	103757	RETAINING RING, LED
5	108789	108789	108789	108789	TIME DELAY RELAY
6	702296	702296	702296	702296	ASSY, THERMOSTAT
7	83209	83209	83209	83209	VELCRO, HOOK AND LOOP PAIR
8	83308	83308	83308	83308	6-32 KEPS NUT
9	703459-01	N/A	N/A	N/A	ASSY, MANIFOLD, LEFT, NG
10	703459-02	N/A	N/A	N/A	ASSY, MANIFOLD, RIGHT, NG
11	N/A	703459-03	N/A	N/A	ASSY, MANIFOLD, LEFT, LP
12	N/A	703459-04	N/A	N/A	ASSY, MANIFOLD, RIGHT, LP
13	N/A	N/A	703459-05	N/A	ASSY, MANIFOLD, LEFT, NG/H
14	N/A	N/A	703459-06	N/A	ASSY, MANIFOLD, RIGHT, NG/H
15	N/A	N/A	N/A	703459-07	ASSY, MANIFOLD, LEFT, LP/H
16	N/A	N/A	N/A	703459-08	ASSY, MANIFOLD, RIGHT, LP/H

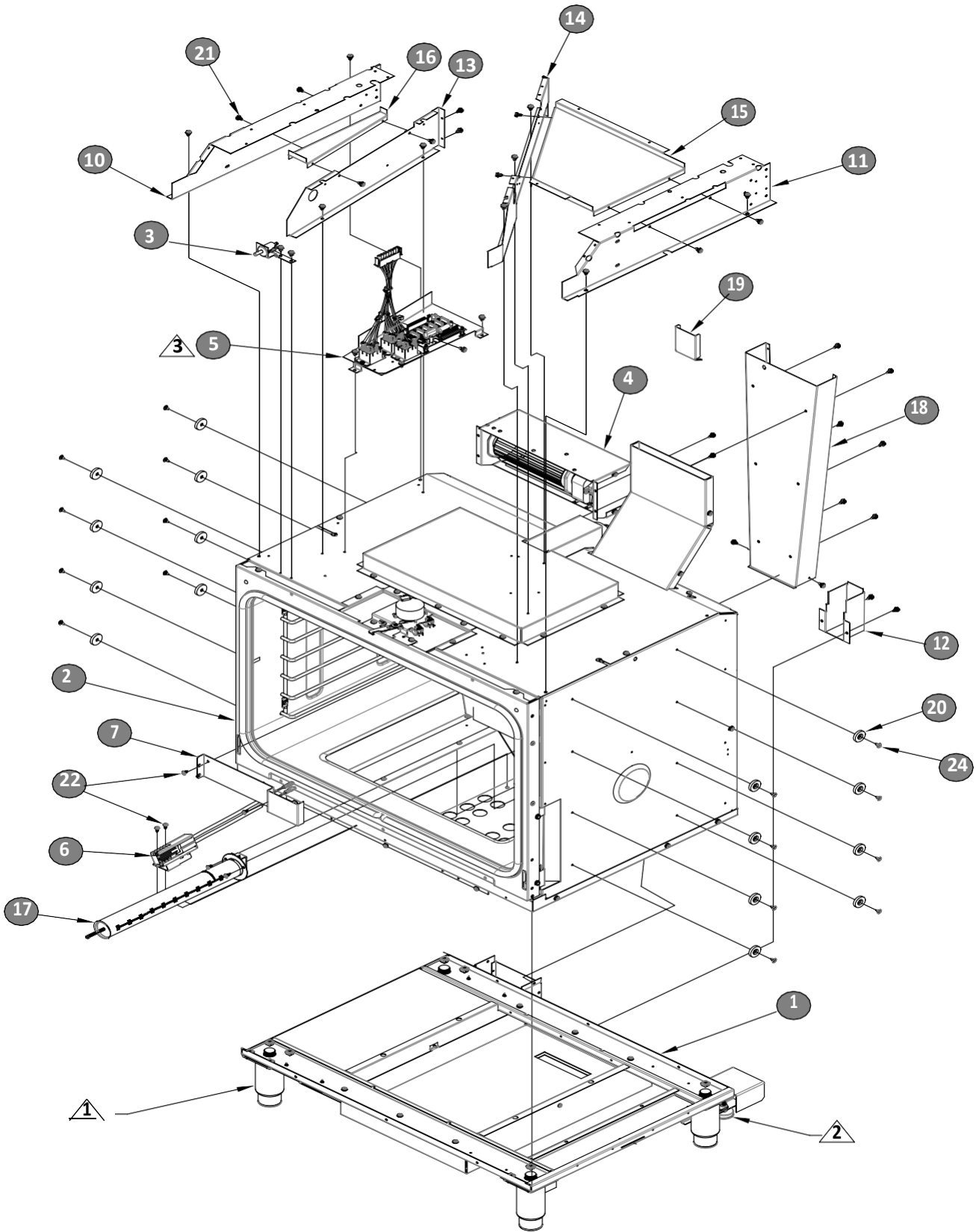
HGER30 - OVEN CASE ASSEMBLY



HGER30 - OVEN CASE ASSEMBLY PARTS LIST

Item	Part No.	Description
1	703399	ASSY, CELL, OVEN, 30.25IN
2	702252	ASSY, BAKE, 30.25 IN CELL
3	702218	WELDMENT, CASE SIDE, RIGHT
4	702217	WELDMENT, CASE SIDE, LEFT
5	83523	BUSHING, 3/8"
6	108537	BUMPER, DOOR
7	701191	LATCH, DOOR, MOTOR RANGE
8	105356	LATCH PLATE
9	107743	GASKET CELL, 36"
10	108501	TOP, CASE, 30.25IN GAS
11	108502	REAR, CASE 30.25IN GAS
12	108503	COVER, INFRARED BROIL
13	108650	COVER, BROIL TUBE
14	108858	INSULATION, CASE BOTTOM
15	108552	INSULATION, CASE BACK
16	108827	INSULATION, CASE SIDE
17	108646	INSULATION, CELLTOP,30.25IN CELL
18	108647	INSULATION, BROIL TOP,30.25IN CELL
19	108828	INSULATION, TOP, 30.25IN CELL
20	83709	SCREW, #8 X 1/2", TORX, BLK OXIDE
21	83023	SCREW, SLOT HWH, #10 X 3/8

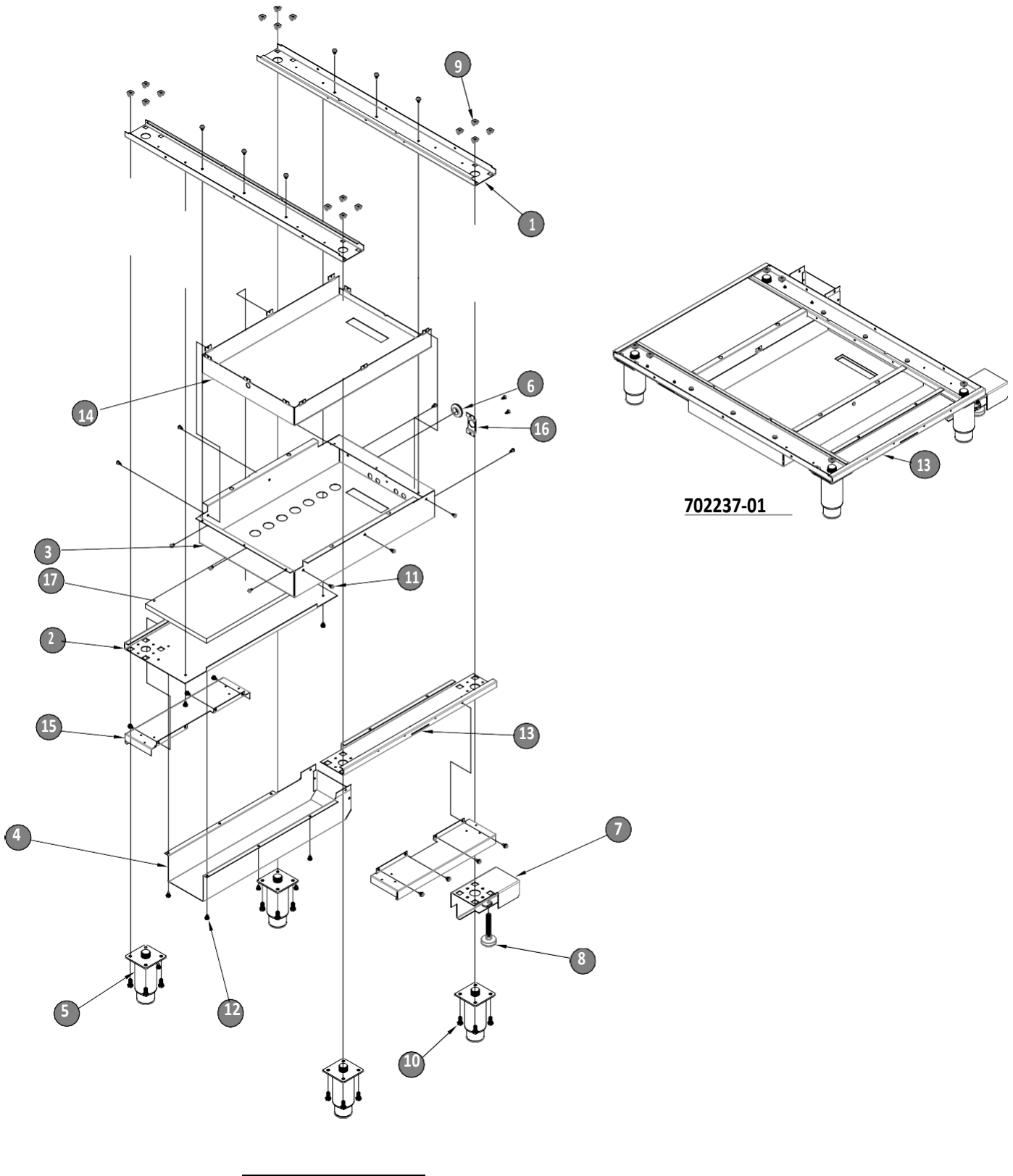
HGER30 - OVEN ASSEMBLY



HGER30 - OVEN ASSEMBLY PARTS LIST

Item	Part No.	Description
1	702237-01	ASSY, BASE
2	703400	ASSY, CASE, 30.25IN
3	701971	ASSY, PLUNGER SWITCH
4	702262	ASSY, FAN, COOLING
5	702250	ASSY, ELECTRONICS BASE
6	700927AH	ASSY, BAKE IGNITER, ART HAIRLINE
7	108657AH	BRACKET, CAPILLARY 30.25IN CELL,
10	107814-01	SUPPORT, LOWER, LH
11	107814-02	SUPPORT, LOWER, RH
12	108595	COVER, WIRE, BAKE IGNITOR
13	108623	DEFLECTOR, AIR, LEFT
14	108652	DEFLECTOR, AIR RIGHT
15	108664	DUCT, TOP RIGHT
16	108677	DUCT, TOP LEFT
17	103558	BAKE BURNER
18	108704	DUCT, EXHAUST
19	108731	CAPILLARY, DIVIDER
20	100285	WASHER, INSULATION
21	83023	SCREW, SLOT HWH, #10 X 3/8
22	83505	SCREW, #8X3/8, TYPE A
24	83263	SCREW, PHILL, ROUND WASHER, HD.

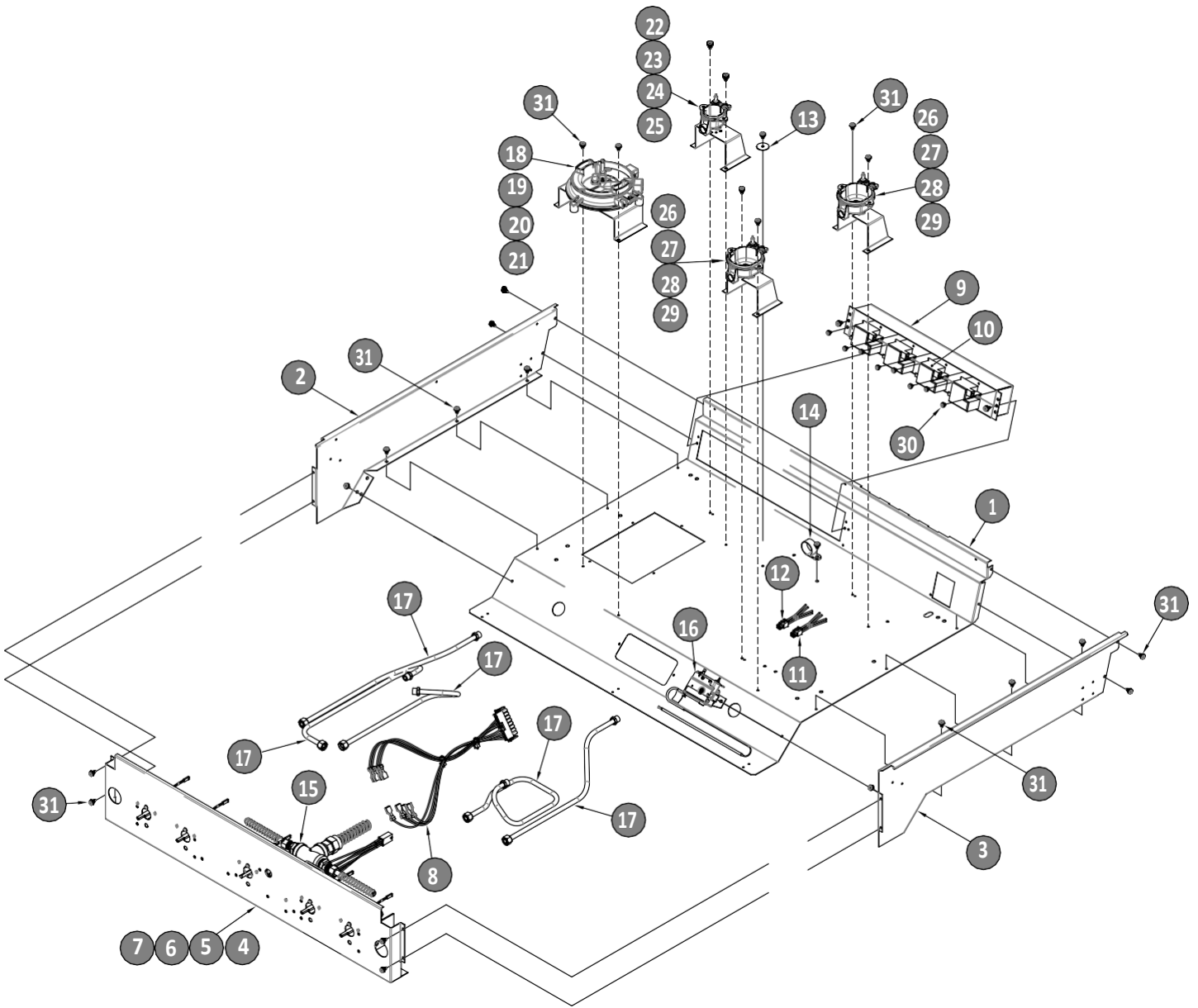
HGER30 - OVEN BASE ASSEMBLY



HGER30 - OVEN BASE ASSEMBLY PARTS LIST

Item	Part No.	Description
1	108618	BASE, SUPPORT, FRONT/REAR
2	108569	ASSY, CASE, 30.25IN
3	108573	BOX, BURNER
4	108619	DUCT, AIR, LOWER
5	700000	LEG, NEW .500"
6	83058	GROMMET, 1.31 OD X .69 ID X .38
7	701968	WELD, BRACKET, ANTI-TIP
8	106440	LEVELER, ADJUSTABLE
9	83398	NUT, RETAINER, 1/4-20 TINNERMAN
10	83397	SCREW, CAP, 1/4 -20 X 5/8
11	83505	SCREW, #8X3/8, TYPE A
12	83023	SCREW, SLOT HWH, #10 X 3/8
13	108661	BASE, SUPPORT
14	108668	SHIELD, FIRE BOX
15	108729	SPACER, SIDE PANEL
16	108737	BRACKET, JET ASSY
17	108728	INSULATION, BASE DUCT, TOP

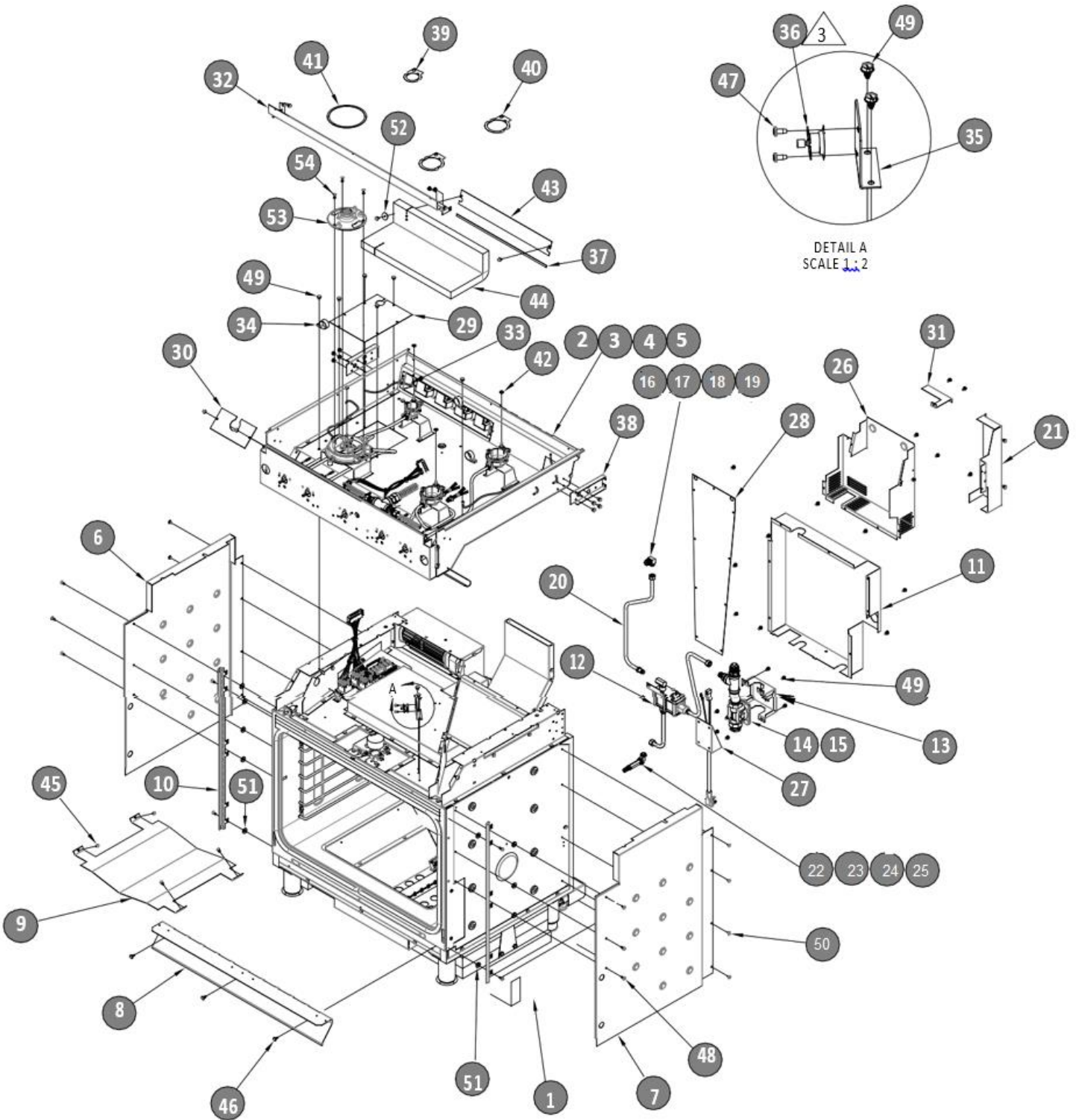
HGER30 - COOKTOP SUB ASSEMBLY



HGER30 - COOKTOP SUB ASSEMBLY PARTS LIST

Item	NG Part No.	LP Part No.	NG/H Part No.	LP/H Part No.	Description
1	108685	108685	108685	108685	CHASSIS, BASE
2	107963-01	107963-01	107963-01	107963-01	SUPPORT, UPPER, LH
3	107963-02	107963-02	107963-02	107963-02	SUPPORT, UPPER, RH
4	703451-01	N/A	N/A	N/A	ASSY, SUB-PANEL, NG
5	N/A	703451-02	N/A	N/A	ASSY, SUB-PANEL, LP
6	N/A	N/A	703451-03	N/A	ASSY, SUB-PANEL, NG/H
7	N/A	N/A	N/A	703451-04	ASSY, SUB-PANEL, LP/H
8	108794	108794	108794	108794	THERMOSTAT PIGTAIL HARNESS
9	108686	108686	108686	108686	ENCLOSURE, IGNITER
10	72634	72634	72634	72634	RE-IGNITION MODULE
11	108871	108871	108871	108871	WIRE HARNESS, COOKTOP, 110 VAC
12	108872	108872	108872	108872	WIRE HARNESS, COOKTOP, 5 VDC
13	83533	83533	83533	83533	WASHER, .880D X .165ID
14	83168	83168	83168	83168	CLAMP, CABLE 1"
15	702379	702379	702379	702379	MANIFOLD, MAIN ASSY.
16	108479	108479	108479	108479	AUTO RESET THERMOSTAT
17	103666	103666	103666	103666	FLEX TUBE, COOKTOP, 5/16 CC
18	703445-01	N/A	N/A	N/A	ASSY, BURNER, DUAL, 18k BTUs
19	N/A	703445-02	N/A	N/A	ASSY, BURNER, DUAL, 18k BTUs
20	N/A	N/A	703445-03	N/A	ASSY, BURNER, DUAL, 18k BTUs
21	N/A	N/A	N/A	703445-04	ASSY, BURNER, DUAL, 18k BTUs
22	703446-01	N/A	N/A	N/A	ASSY, BURNER, SMALL, 15k BTUs
23	N/A	703446-02	N/A	N/A	ASSY, BURNER, SMALL, 15k BTUs
24	N/A	N/A	703446-03	N/A	ASSY, BURNER, SMALL, 15k BTUs
25	N/A	N/A	N/A	703446-04	ASSY, BURNER, SMALL, 15k BTUs
26	703447-01	N/A	N/A	N/A	ASSY, BURNER, MEDIUM, 15k BTUs
27	N/A	703447-02	N/A	N/A	ASSY, BURNER, MEDIUM, 15k BTUs
28	N/A	N/A	703447-03	N/A	ASSY, BURNER, MEDIUM, 15k BTUs
29	N/A	N/A	N/A	703447-04	ASSY, BURNER, MEDIUM, 15k BTUs
30	83001	83001	83001	83001	SCREW, PHIL PAN HD, 8 x 1/4"
31	83023	83023	83023	83023	SCREW, SLOT HWH, #10 X 3/8

HGER30-COOKTOPOVEN ASSEMBLY



Dacor Parts Dept. 800-793-0093 x3814 / Tech Dept. 800-793-093 x3815

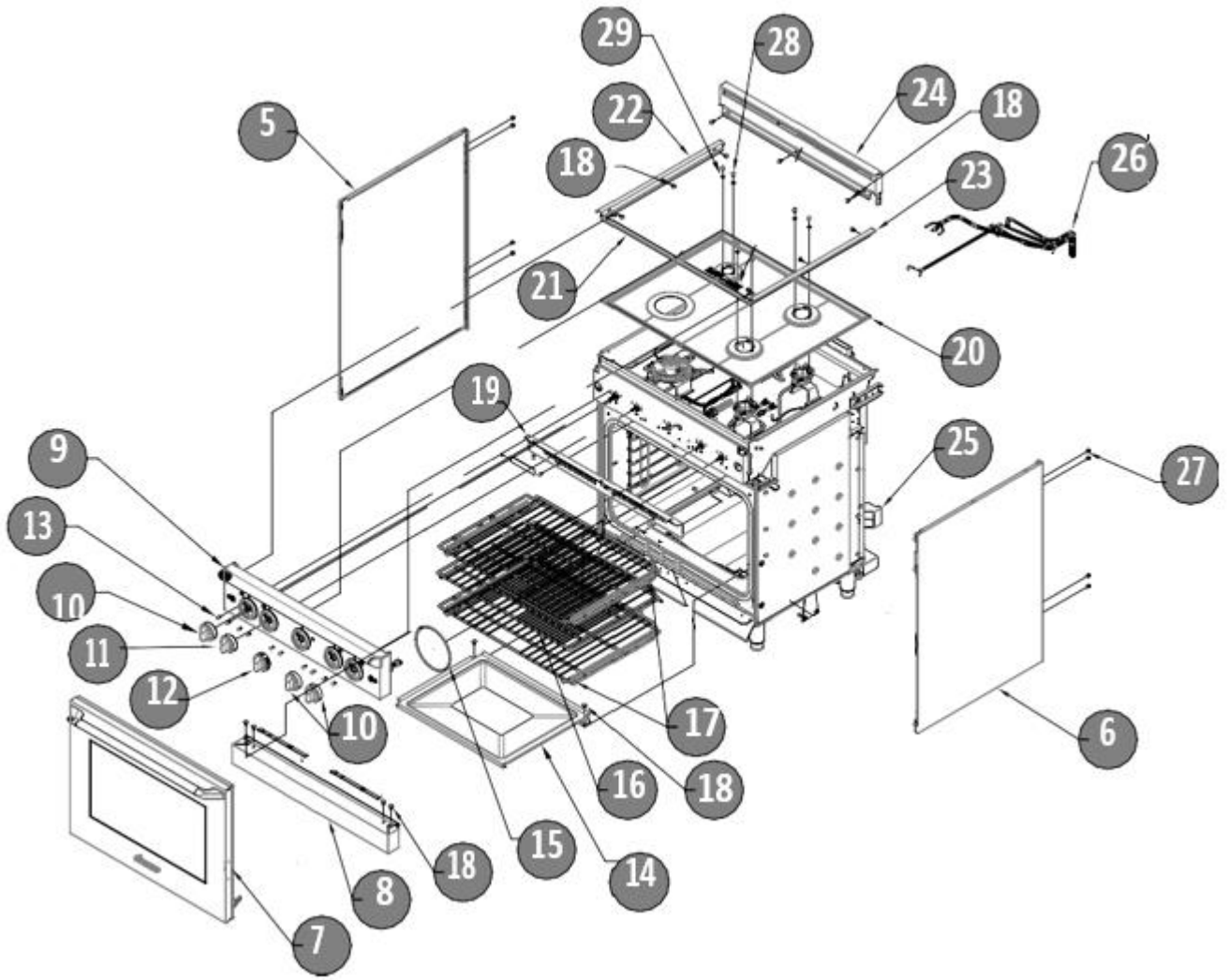
HGER30 - COOKTOP OVEN ASSEMBLY PARTS LIST

Item	NG Part No.	LP Part No.	NG/H Part No.	LP/H Part No.	Description
1	703401	703401	703401	703401	ASSY, BASE, GAS OVEN
2	703452-01	N/A	N/A	N/A	ASSY, COOKTOP, NG
3	N/A	703452-02	N/A	N/A	ASSY, COOKTOP, LP
4	N/A	N/A	703452-03	N/A	ASSY, COOKTOP, NG/H
5	N/A	N/A	N/A	703452-04	ASSY, COOKTOP, LP/H
6	108662-01	108662-01	108662-01	108662-01	CASESIDE, DUCT
7	108662-02	108662-02	108662-02	108662-02	CASESIDE, DUCT RIGHT
8	108608	108608	108608	108608	MTG, KICK PANEL, 30.25IN
9	108683	108683	108683	108683	DEFLECTOR, HEAT, 30.25IN CELL
10	107889AH	107889AH	107889AH	107889AH	TRIM, SIDE DOOR
11	108682	108682	108682	108682	COVER, REAR
12	702235-01	702235-01	702235-01	702235-01	ASSY, THERMAL VALVE
13	103645	103645	103645	103645	BRACKET, MOUNTING, REGULATOR
14	103660-01	N/A	103660-01	N/A	ASSY, REGULATOR, NG
15	N/A	103660-02	N/A	103660-02	ASSY, REGULATOR, LP
16	103556-01	N/A	N/A	N/A	JET ASSY, BROIL BURNER, NG
17	N/A	103556-02	N/A	N/A	JET ASSY, BROIL BURNER, LP
18	N/A	N/A	103556-03	N/A	JET ASSY, BROIL BURNER, NGH
19	N/A	N/A	N/A	103556-04	JET ASSY, BROIL BURNER, LPH
20	103663-03	103663-03	103663-03	103663-03	FLEX TUBE, BAKE/BROIL, 3/8CC, 20IN
21	108736	108736	108736	108736	COVER, WIRE
22	700935-01	N/A	N/A	N/A	JET ASSY, BAKE BURNER, NG
23	N/A	700935-02	N/A	N/A	JET ASSY, BAKE BURNER, LP
24	N/A	N/A	700935-03	N/A	JET ASSY, BAKE BURNER, NGH
25	N/A	N/A	N/A	700935-04	JET ASSY, BAKE BURNER, LPH
26	108708	108708	108708	108708	SHIELD, EXHAUST
27	702316	702316	702316	702316	ASSY, POWER CORD
28	108705	108705	108705	108705	DUCT, COVER
29	108659	108659	108659	108659	ACCESS COVER, RELAYS
30	108660	108660	108660	108660	ACCESS COVER, TIMER
31	108745	108745	108745	108745	CORNER, EXHAUST SHIELD

HGER30-COOKTOPOVENASSEMBLYPARTSLIST(CONT)

Item	NG Part No.	LP Part No.	NG/H Part No.	LP/H Part No.	Description
32	113604	113604	113604	113604	SUPPORT, SPILL TRAY
33	113719	113719	113719	113719	WIRE, IGNITER SET
34	83168	83168	83168	83168	CLAMP, CABLE 1"
35	109067	109067	109067	109067	BRACKET, HIGH LIMIT
36	113808	113808	113808	113808	SWITCH, HIGH LIMIT PBR380
37	62350	62350	62350	62350	TRIM EDGE, INCHES
38	108687	108687	108687	108687	SUPPORT, SIDE, UPPER
39	103551	103551	103551	103551	GASKET, BURNER, 9.5K
40	103552	103552	103552	103552	GASKET, BURNER, 15K
41	103553	103553	103553	103553	GASKET, 18K DUAL BURNER
42	103554	103554	103554	103554	"O" RING, BURNER, 9.5K/15K
43	108743	108743	108743	108743	SHIELD, IGNITER
44	81608	81608	81608	81608	INSULATION, IGNITER MODULE, LEFT
45	83505	83505	83505	83505	SCREW, #8X3/8, TYPE A
46	83708	83708	83708	83708	SCREW, TRX WFR HD, #8 X 1/2"
47	101693	101693	101693	101693	#6-32 X 5/16 PHIL, PAN, THREAD FRMNG TT, STL, ZINC
48	83709	83709	83709	83709	SCREW, #8 X 1/2", TORX, BLK OXIDE
49	83023	83023	83023	83023	SCREW, SLOT HWH, #10 X 3/8
50	83263	83263	83263	83263	SCREW, PHILL, ROUND WASHER, HD.
51	83555	83555	83555	83555	FIBER WASHER
52	83533	83533	83533	83533	WASHER, .88OD X .165ID
53	102587	102587	102587	102587	RING, BURNER, INNER, 18K
54	103755	103755	103755	103755	SCREW, M4 X 12MM LG,

HGER30 - ASSEMBLY RANGE

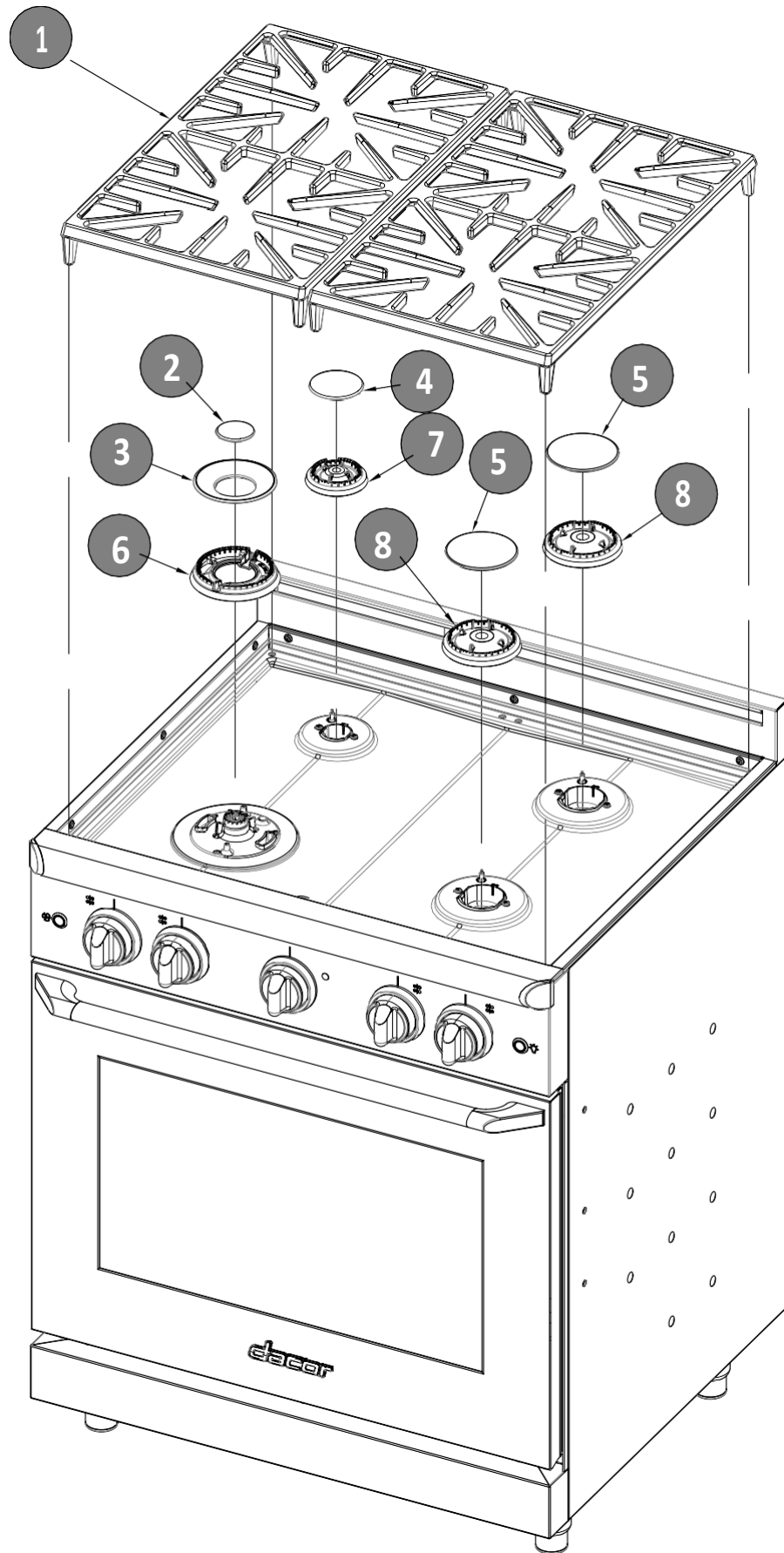


HGER30 - ASSEMBLY RANGE PARTS LIST

Item	NG Part No.	LP Part No.	NG/H Part No.	LP/H Part No.	Description
5	701973-01	701973-01	701973-01	701973-01	ASSY, SIDE PANEL, LH
6	701973-02	701973-02	701973-02	701973-02	ASSY, SIDE PANEL, RH
7	703448	703448	703448	703448	ASSY, DOOR
8	702274	702274	702274	702274	ASSY, KICK PANEL
9	703462	703462	703462	703462	ASSY, CONTROL PANEL
10	105374-04	105374-04	105374-04	105374-04	KNOB, ILLUMINATED, SIMMER
11	105374-05	105374-05	105374-05	105374-05	KNOB, ILLUMINATED, SIMMER
12	113733	113733	113733	113733	KNOB, ILLUMINATED, OVER
13	83709	83709	83709	83709	SCREW, #8 X 1/2", TORX, BLK OXIDE
14	702258BP	702258BP	702258BP	702258BP	WELDMENT, BAKE PAN, 30.25IN, BLK PORCELAIN
15	92322	92322	92322	92322	FILTER, CONVECTION, OVEN
16	107745	107745	107745	107745	OVEN RACK
17	701938	701938	701938	701938	ASSY, GLIDE RACK
18	83708	83708	83708	83708	SCREW, TRX WFR HD, #8 X 1/2"
19	108742B	108742B	108742B	108742B	GRILL, INTAKE, BP
20	102596BP	102596BP	102596BP	102596BP	SPILL TRAY
21	108906	108906	108906	108906	TRIM, COOKTOP, FRONT
22	702272-01	702272-01	702272-01	702272-01	WELDMENT, SIDE TRIM, LH
23	702272-02	702272-02	702272-02	702272-02	WELDMENT, SIDE TRIM, RH
24	702276-01	702276-01	702276-01	702276-01	ASSY, BACKGUARD, 3"
25	107883	107883	107883	107883	SUPPORT, SIDE, LOWER
26	108781	108781	108781	108781	HARNES, MAIN
27	83023	83023	83023	83023	SCREW, SLOT HWH, #10 X 3/8
28	103696	103696	103696	103696	SCREW, M4 X 8MM LG
29	83272	83272	83272	83272	FLATWASHER, #8 S.S.

Dacor Parts Dept.800-793-0093 x3814 / Tech Dept. 800-793-093 x3815

HGER30 - ASSEMBLY RANGE WITH CAPS AND GRATES



HGER30 - ASSEMBLY RANGE WITH CAPS AND GRATES PARTS LIST

Item	NG Part No.	LP Part No.	NG/H Part No.	LP/H Part No.	Description
1	101524	101524	101524	101524	GRATE, 4 FINGER, 14" X 23"
2	102585	102585	102585	102585	CAP, BURNER, INNER, 18K
3	102586	102586	102586	102586	CAP, BURNER, OUTER, 18K
4	102593	102593	102593	102593	CAP, BURNER, 9.5K
5	102590	102590	102590	102590	CAP, BURNER, 15K
6	102588	102588	102588	102588	RING, BURNER, OUTER, 18K
7	102594	102594	102594	102594	RING, BURNER, 9.5K
8	102591	102591	102591	102591	RING, BURNER, 15K