



The Life of the Kitchen.®

PARTS CATALOG

ETT365 Cooktop

IMPORTANT: ETT365 cooktops that do not have a “-1” or “-2” at the end of the model number may have some parts that are **No Longer Available (NLA)**. If the part you need is no longer available, please contact Dacor for a possible solution. For model numbers that end with a “-1” or “-2”, please see the ETT365-1 or ETT365-2 parts section on www.dacorservice.com/partscatalog .

DACOR CARES PROGRAM NLA Part Locator Service

Customer Contact Number:

(800) 793-0093 ex. 2813
Hours: 6:00 AM - 5:00 PM Pacific Time

Service Agent/Technician Contact Number:

(800) 793-0093 ex. 3814
Hours: 7:00 AM - 4:00 PM Pacific Time

Web Inquiries: www.dacor.com/dacorcares

Email Inquiries: dacorcares@dacor.com

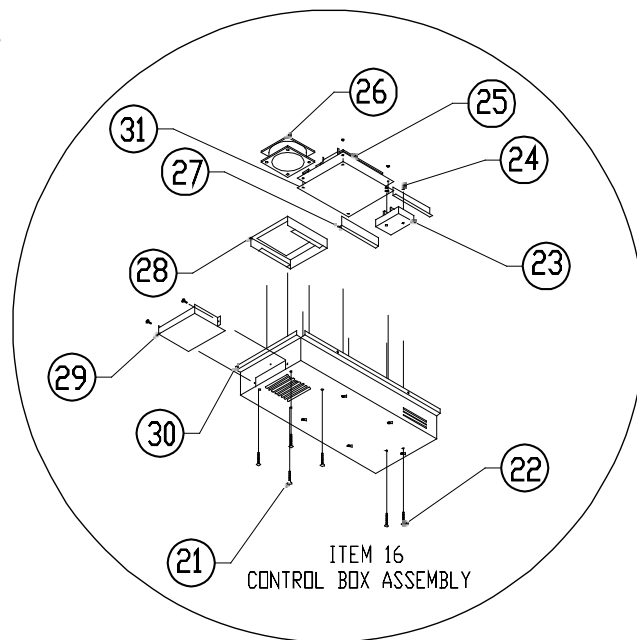
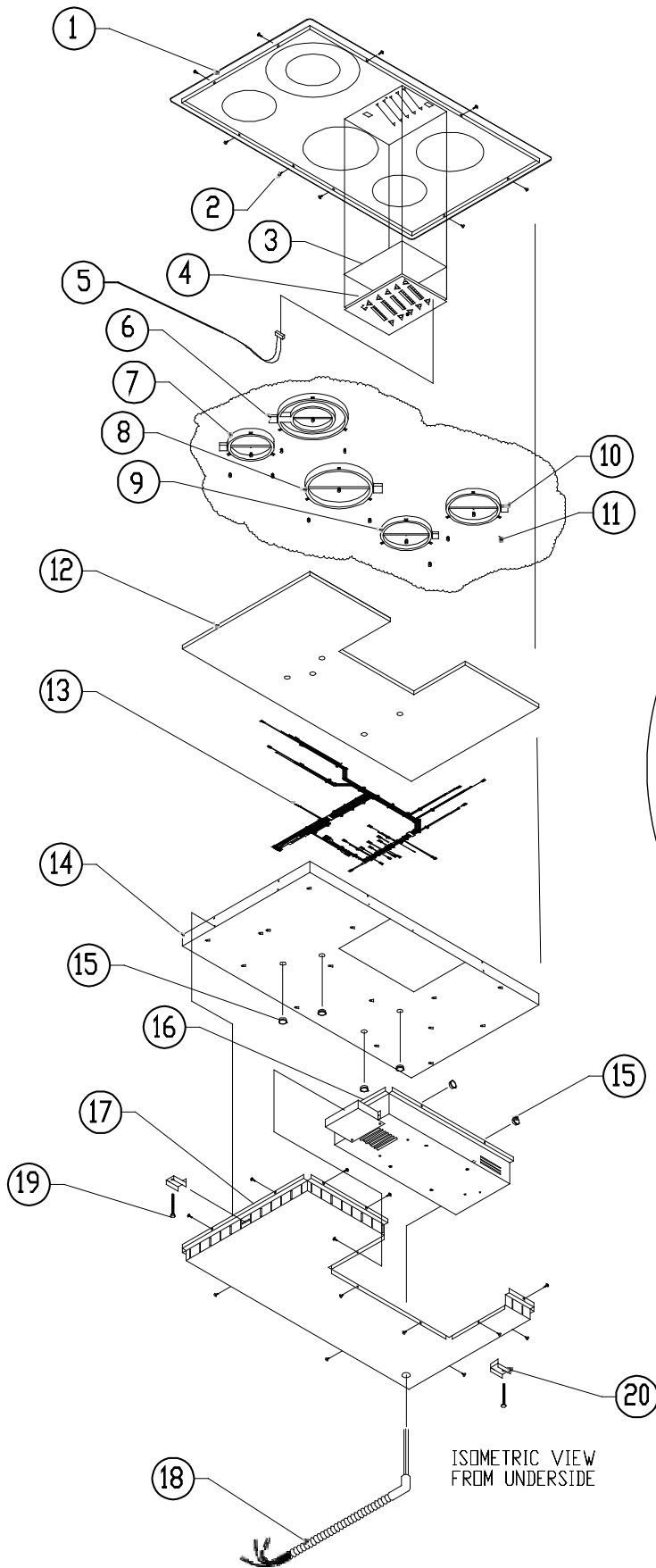
Please provide the following information:

- Your name and phone number
- Product model number
- Product serial number
- The part number(s) you need

Page #	Description
2	ETT365 Assembly
3	ETT365 Parts

Revised 10-19-2011

ETT365 Cooktop Assembly



ETT365 Cooktop Parts

Item #	Description	Part #
1	Cooktop Top Glass Panel, Model ETT365B, Early Version ¹	12418B ¹
	Cooktop Top Glass Panel, Model ETT365B, Later Version ²	66949B ²
	Cooktop Top Glass Panel, Model ETT365BG, Early Version ³	12587BG ³
	Cooktop Top Glass Panel, Model ETT365BG, Later Version ⁴	66947BG ⁴
	Cooktop Top Glass Panel, Model ETT365R, All Units	12418R
	Cooktop Top Glass Panel, Model ETT365RF, Early Version ⁵	12587RF ⁵
	Cooktop Top Glass Panel, Model ETT365RF, Later Version ⁶	66947RF ⁶
	Cooktop Top Glass Panel, Model ETT365S, Early Version ⁷	12583S ⁷
	Cooktop Top Glass Panel, Model ETT365S, Later Version ⁸	66952S ⁸
2	Screw, Phil TRS, #8 X 3/8"	83024
3	Touchpad Adhesive	83372
4	Touch Board, Lower, Early Version ^{1, 3, 5, 7}	62061 ^{1, 3, 5, 7}
	Touch Board, Lower, Later Version ^{2, 4, 6, 8}	72513 ^{2, 4, 6, 8}
5	ETT Ribbon Cable	62063
6	Element, Dual ⁹	700411-03 ⁹
7	Heater, Series 8, 1200 W ⁹	66128 ⁹
8	Heater, Series 8, 2100 W ⁹	66132 ⁹
9	Heater, Series 8, 1500 W ⁹	66129 ⁹
10	Heater, Series 8, 1800 W ⁹	66130 ⁹

Item #	Description	Part #
11	Spring, Heater	100644
12	Insulation Blanket	80209
13	Wiring Harness	62633
14	Chassis Weldment	27480
15	Heyco Bushing SB-875-11	83056
16	Control Box Assembly	13255
17	Heat Shield Assembly	27254
18	Conduit Service Kit ¹⁰	66798 ¹⁰
19	1/4-20 x 3.50 Hex Head Bolt	83065
20	Hold Down Bracket	27251
21	Screw, Phil Trs Hd, #10 X 1/2"	83022
22	Terminal Block Screws	83326
	Terminal Block	62052
23	Terminal Block	62052
24	Nut, Keps, #10-24	83009
25	Power Board ^{1, 3, 5, 7}	62062 ^{1, 3, 5, 7}
	Power Board ^{2, 4, 6, 8}	72512 ^{2, 4, 6, 8}
26	Cooling Fan	62077
27	Control Box Air Baffle	36437
28	Fan Mounting Bracket	36459
29	Air Duct	36488
30	Control Box Weldment	27669
31	Power Board Insulator	83378
-	Accy, Cleaner, Ceran ¹¹	A300
-	Scraper, Ceran ¹¹	82499
-	Counter Gasket ¹¹	13208

Notes*

¹ Model ETT365B Rev D and earlier units built before 6/18/03

² Model ETT365B Rev E and later units built on or after 6/18/03

³ Model ETT365BG Rev C and earlier units built before 6/18/03

⁴ Model ETT365BG Rev D and later units built on or after 6/18/03

⁵ Model ETT365RF Rev C and earlier units built before 6/18/03

⁶ Model ETT365RF Rev D and later units built on or after 6/18/03

⁷ Model ETT365S Rev B and earlier units built before 6/18/03

⁸ Model ETT365S Rev C and later units built on or after 6/18/03

⁹ For complete element kit, order PN 62793

¹⁰ Includes conduit, elbow, wires and terminals

¹¹ Not shown

* Revision letter is the second character in the serial number, found on the label on the under side of the unit.

Part no longer available? Call Dacor: (800) 793-0093 ex. 3814

