

The Dacor logo is rendered in a bold, italicized, sans-serif font with a metallic, 3D effect. The letters are dark with a lighter, reflective highlight on the top and left sides, giving it a sleek, modern appearance. A registered trademark symbol (®) is located at the end of the word.

# **dacor**®

The Life of the Kitchen.®

A photograph of a Dacor ESG366 cooktop is shown in a kitchen setting. The cooktop is stainless steel with six burners and a control panel on the left. A white bowl sits on one of the burners. The background shows a kitchen counter with various items like a coffee maker and a toaster. The text 'PARTS CATALOG' is overlaid in large, semi-transparent, 3D-style letters.

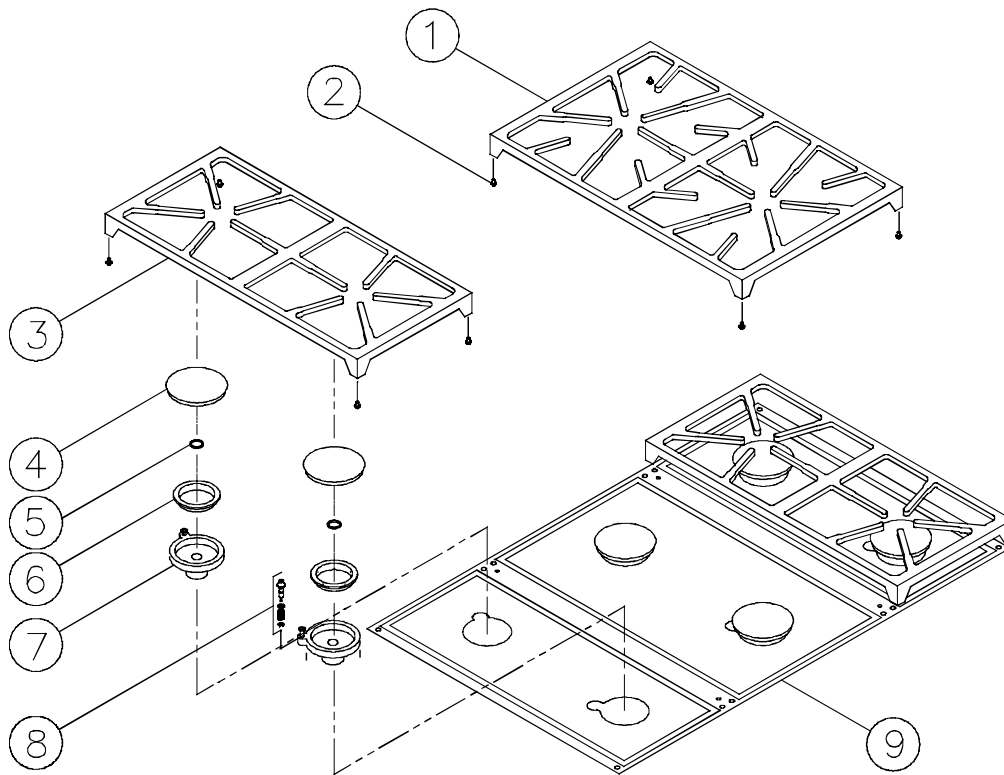
## **PARTS CATALOG**

### **ESG366 Cooktop**

<b>Page</b>	<b>Description</b>
<b>2</b>	<b>Top Frame Assembly</b>
<b>3</b>	<b>Control Panel Assembly</b>
<b>4</b>	<b>Chassis Assembly</b>
<b>5</b>	<b>Manifold Assembly</b>

Revised 04-30-2015

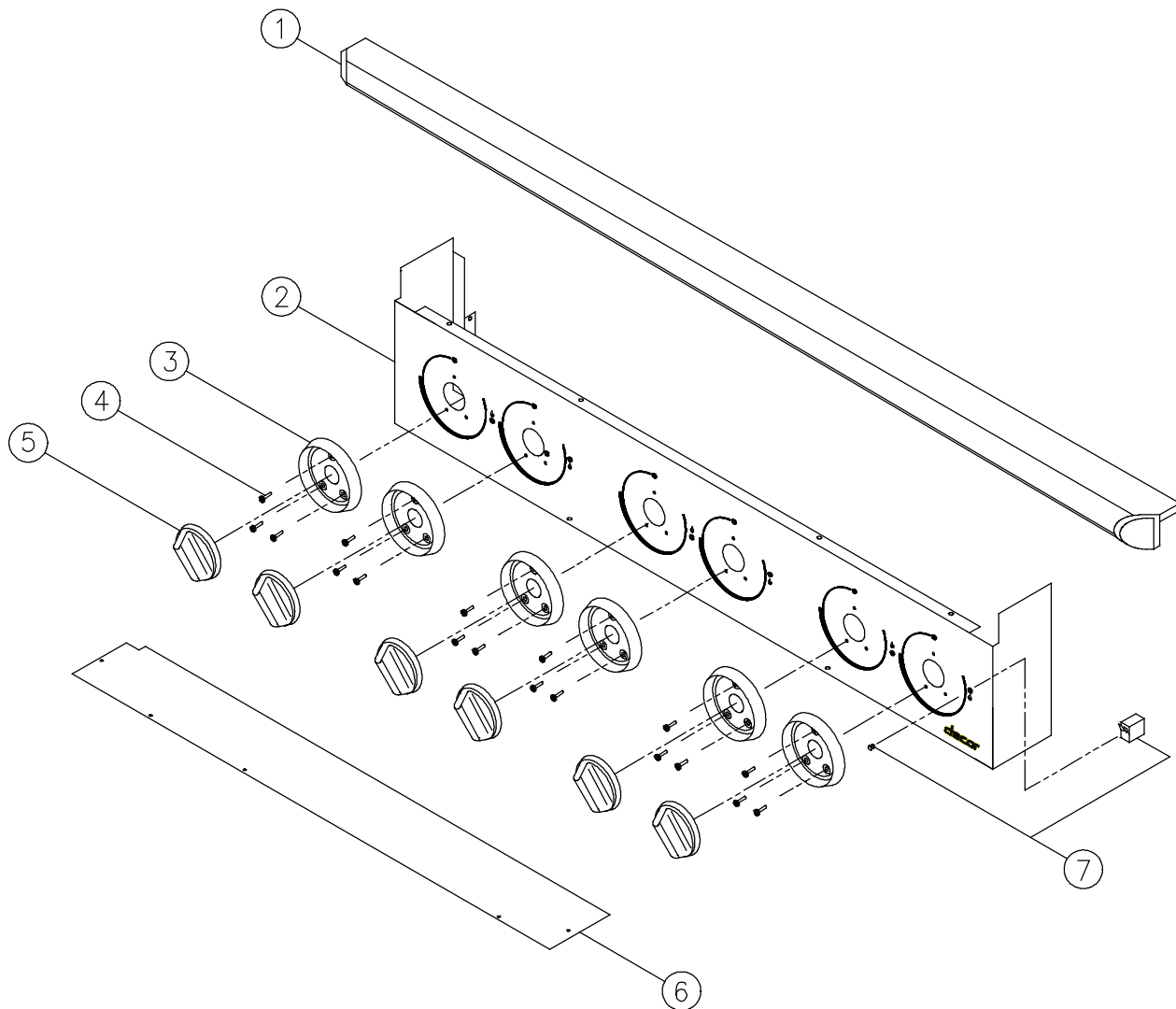
# ESG366 Cooktop Top Frame Assembly



Item	Part #	Description
1	72434SB <sup>1</sup>	Grate Pack, 14"
2	66916	Grate Support Pad
3	72433SB <sup>1</sup>	Grate Pack, 10"
4	72435SB	D-Burner Cap
5	86405	Brass Nut
6	82564	D-Burner Ring
7	62954	D-Burner Head
8	76482-001	Igniter Assembly
9	26959BP	Spill Tray

<sup>1</sup>Part number shown is for later version of the grate that has a smooth porcelain finish. The earlier versions of the grate with a black matte finish are no longer available. When replacing the grates, all three may need to be replaced so that they match.

# ESG366 Cooktop Control Panel Assembly

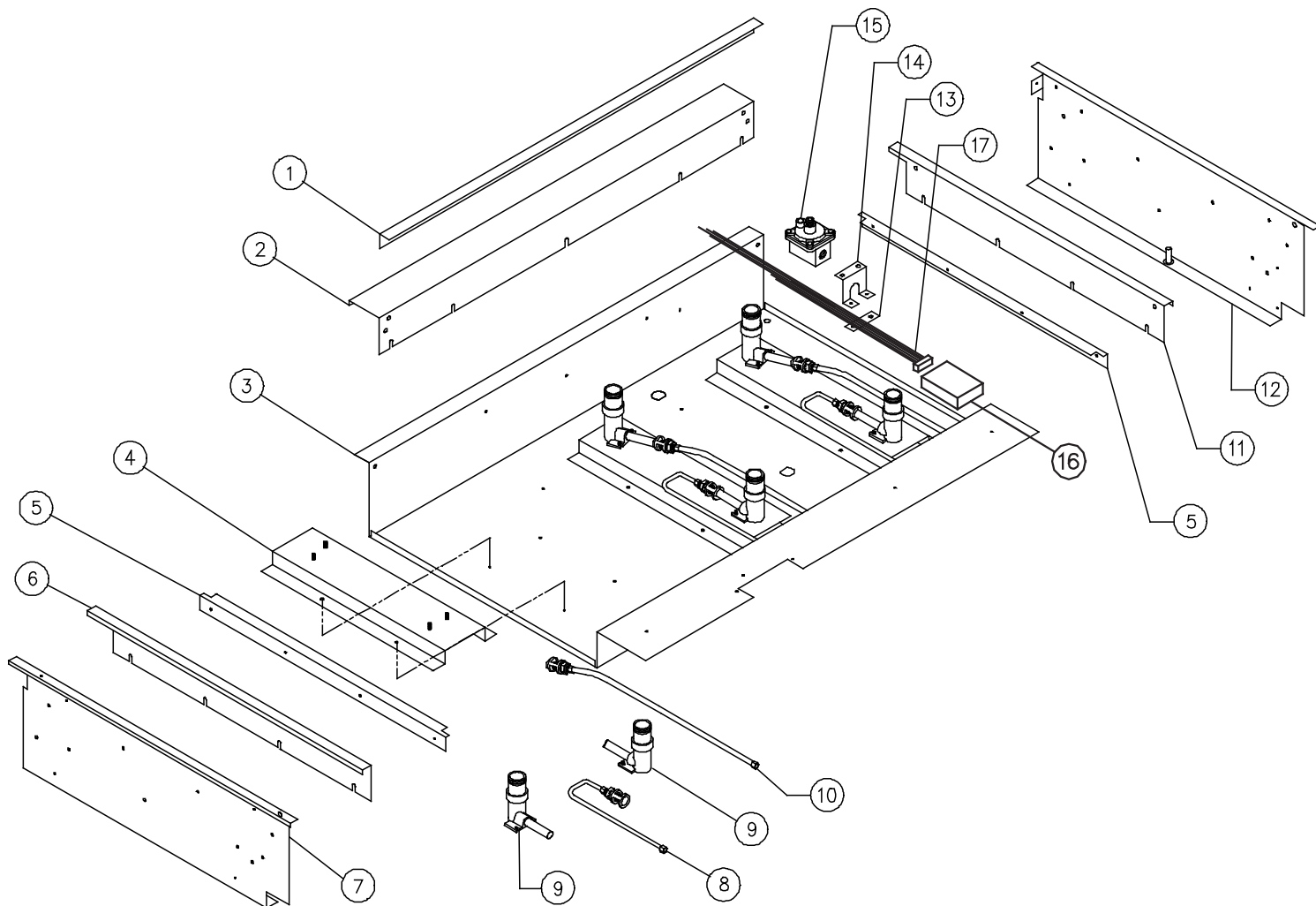


Item	Part #	Description
1	66833S[BK/BR/CH/CP] <sup>1,2</sup>	ASSY, BULLNOSE
2	26911E	CONTROL PANEL
	13728S[BR/CH/CP] <sup>1</sup>	ASSY, CONTROL PANEL W/LOGO
3	100122[CH/CP] <sup>1</sup>	TRIM RING
4	83571	SCREW, WASHER HEAD, #8 x 3/8"
5	62021B	KNOB
6	26968	CONTROL PANEL, BOTTOM, FRONT
7	62036	INDICATOR LIGHT, BLUE NEON

<sup>1</sup>Last 2 characters in part number indicate trim color.

<sup>2</sup>Part number shown is for units with serial number SC1130134 and later (units without grate supports). Earlier units use part numbers 86567Sxx.

# ESG366 Cooktop Chassis Assembly



Item	Part #	Description
1	36542BP	Front/Rear Top Frame Support
2	27426 <sup>1</sup>	Grate Support Pad
3	26931	Chassis Wrap
4	27396	Burner Mounting Channel Assy
5	36541BP	Side Support
6	26926 <sup>2</sup>	Left Trim
7	27397	Left Side Support Assy
8	62323	Front Burner Tube, 3/8"
9	62144	Burner Mounting Base
10	62394	Rear Burner Tube, 3/8" (NG)
11	26925 <sup>3</sup>	Side Trim, Right

<sup>1</sup>Part number shown is for units with serial number SC1130134 and later. Earlier units use part number 38204.

<sup>2</sup>Part number shown is for units with serial number SC1130134 and later. Earlier units use part number 36548.

Item	Part #	Description
12	27400	Right Side Support Assembly
13	36012	Tie, Manual Gas Pipe Bracket
14	36011	Manual Gas Pipe Bracket
15	62320 <sup>4</sup>	Gas Regulator NG
	82540 <sup>5</sup>	Gas Regulator NG
	62434 <sup>4</sup>	Gas Regulator LP
16	86528 <sup>6</sup>	Spark Module Kit
17	62807	Spark Wiring Harness
-	102352	Terminal Block (not shown)

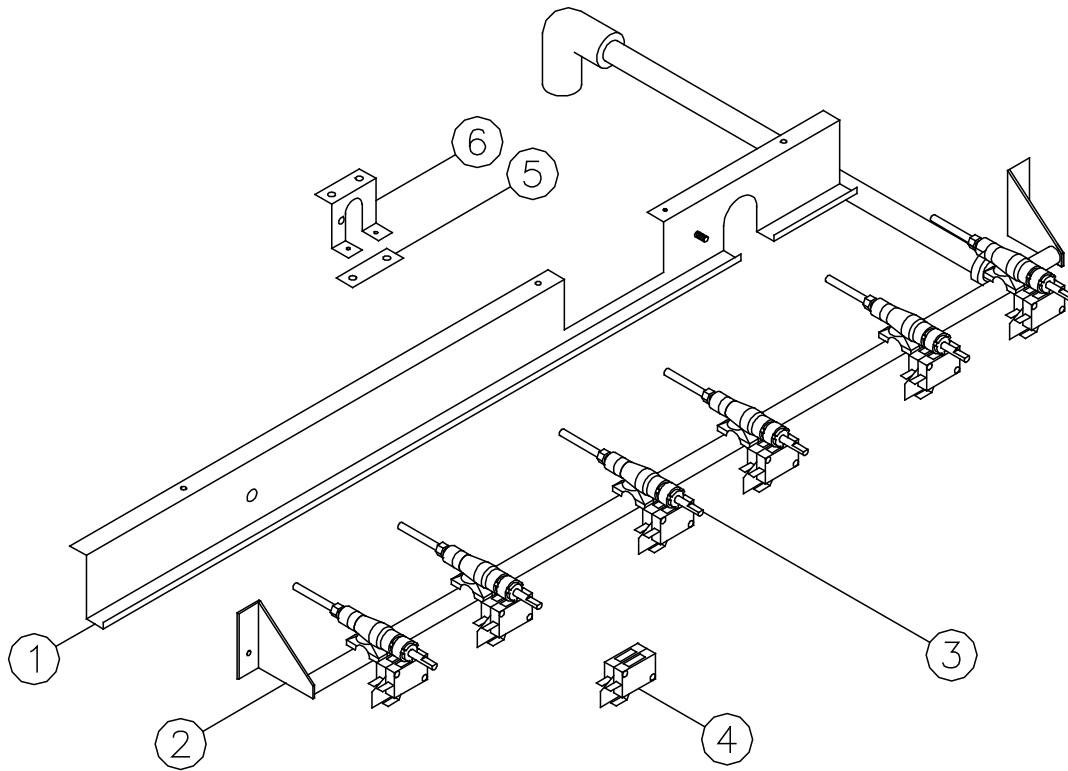
<sup>3</sup>Part number shown is for units with serial number SC1130134 and later. Earlier units use part number 36543.

<sup>4</sup>Part number shown is for units with serial number SA8020003 and later.

<sup>5</sup>Part number shown is for units with serial number before SA8020003.

<sup>6</sup>Includes module and velcro

# ESG366 Cooktop Manifold Assembly



Item	Part #	Description
1	27473	Bottom Rear Control Panel Assy
2	62285	Manifold Assy NG
	62321	Manifold Assy LP
	62326	Manifold Assy NGHA
	62327	Manifold Assy LPHA
3	86554	Gas Valve NG
	86553	Gas Valve LP
	86551	Gas Valve NGHA
	86552	Gas Valve LPHA
4	103789	Switch
5	36011	Bracket, Manifold Gas Pipe
6	36012	Tie, Bracket Manifold Gas Pipe