

The Dacor logo is rendered in a bold, italicized, sans-serif font with a metallic, 3D effect. The letters are dark with a lighter, reflective highlight on the top and left sides, giving it a sleek, modern appearance. A registered trademark symbol (®) is located at the end of the word.

dacor®

The Life of the Kitchen.®

The background of the page is a faded, grayscale image of a kitchen. It features a white gas stove with a white bowl on top, a wooden countertop, and a white dishwasher. The overall scene is bright and clean, typical of a modern kitchen.

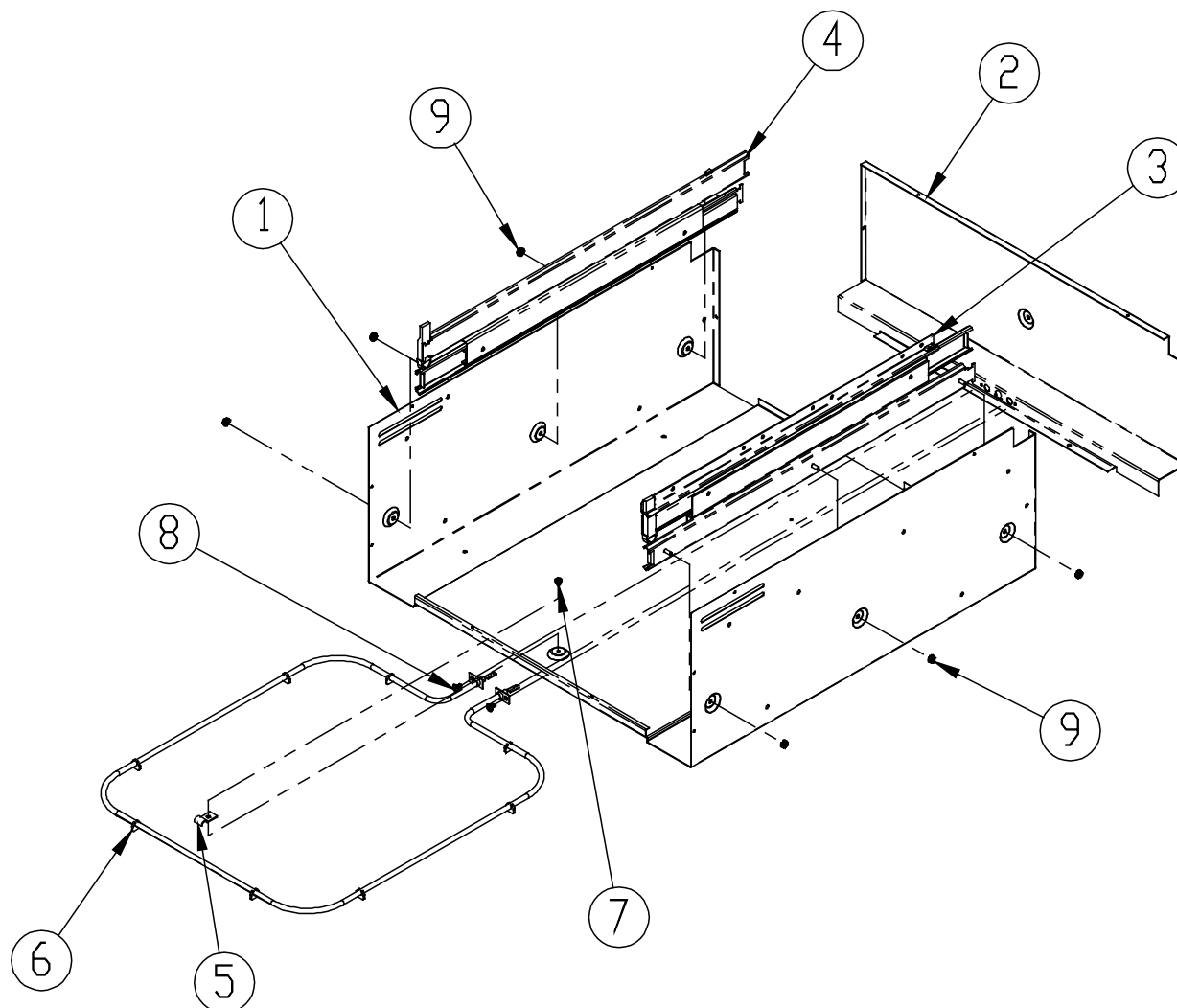
PARTS CATALOG

ERWD30B Warming Drawer

Page	Description
2	Chassis Wrap Assembly
3	Chassis Assembly
4	Chassis Parts
5	Drawer Assembly

Revised 10-31-2012

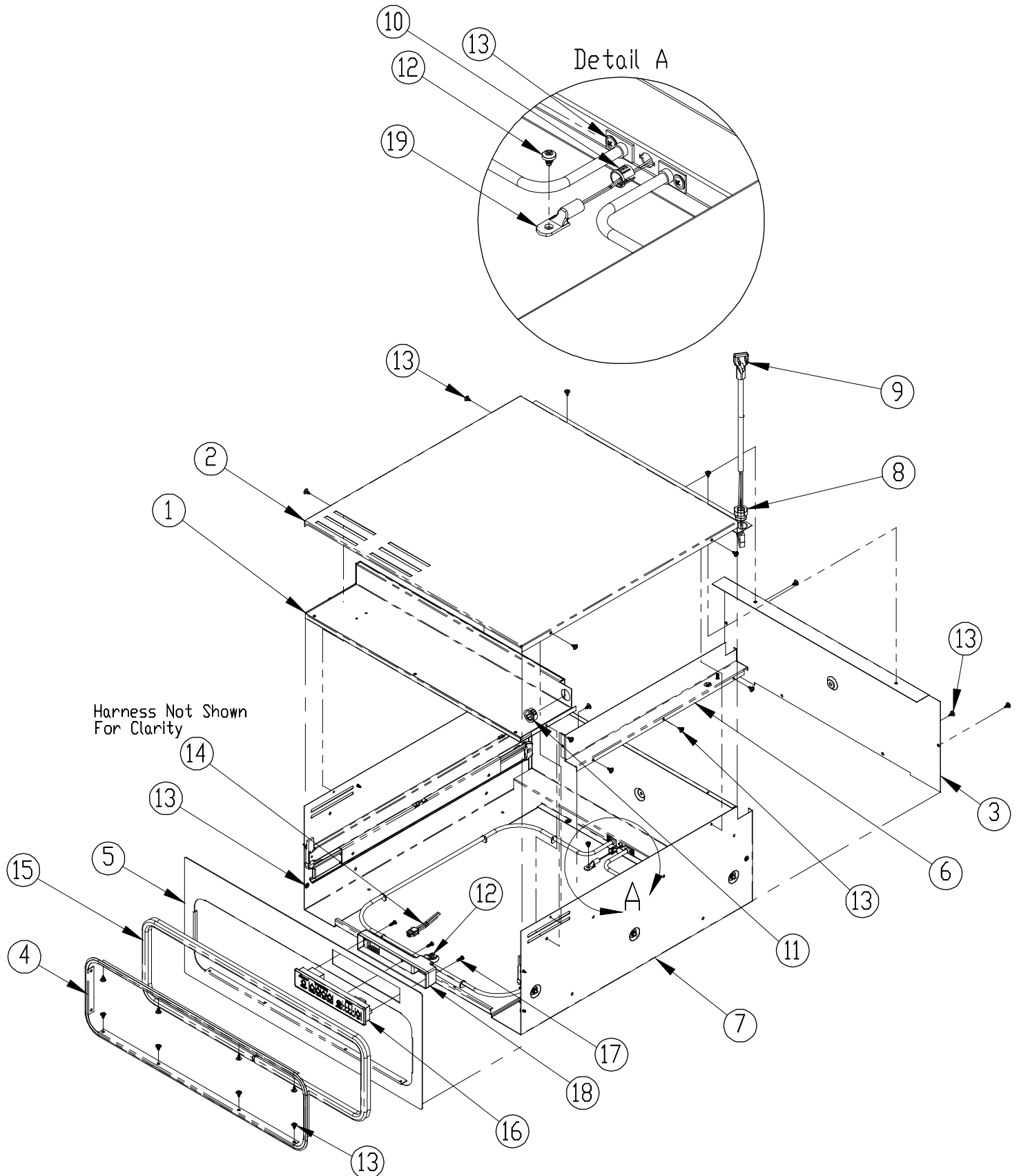
ERWD30B Chassis Wrap Assembly



Item	Description	Part #
1	Wrap, Chassis	101883-03
2	Partition, Rear	101881-03
3	Slide Rail, Right	72737 ¹
4	Slide Rail, Left	
5	Clip, Element Hold down	102321
6	Heating Element	101651
7	Screw, Phil HD, #8 x 1/4"	83001
8	Screw, Phil HD, #8 x 3/8"	83263
9	Nut Hex Keps #8-32	83048

¹The slide rails are sold only as a set (PN 72737).

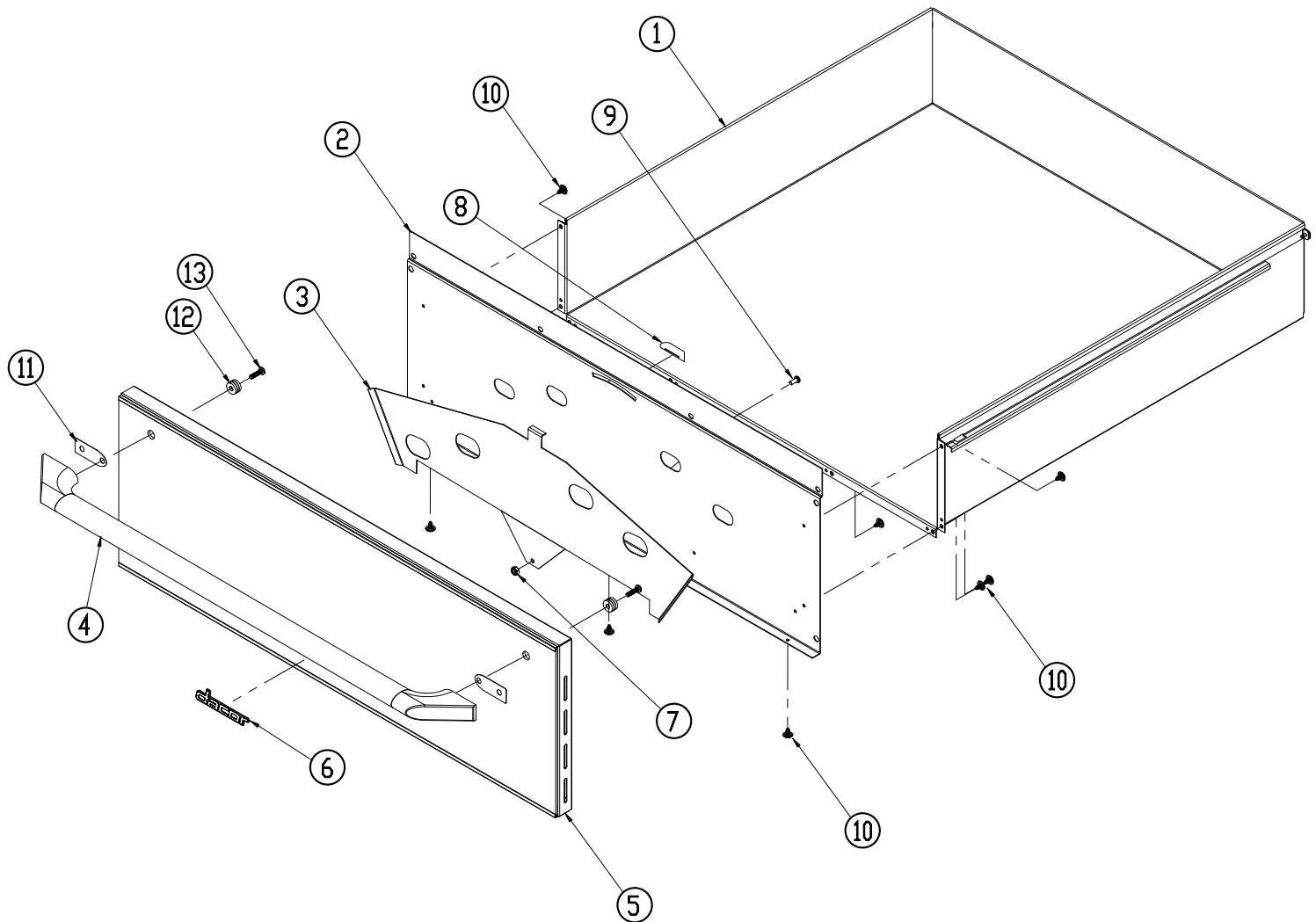
ERWD30B Chassis Assembly



ERWD30B Chassis Parts

Item	Description	Parts #
1	Assy, Channel Control	700738-03
2	Top Cover	101882-03
3	Cover, Rear	101657-03
4	Frame Gasket ¹	102445 ¹
5	Control Panel ¹	101879-03B ¹
6	Electric Chase Weld	700877
7	Assy, Chassis Wrap	700591-03
8	Strain Relief Bushing	83141
9	Power Supply Cord	72765
10	3/8" Bushing Hole	83523
11	Bushing, Heyco	83056
12	Screw, Phil HD, #8 x 1/4"	83001
13	Screw, Phil HD, #8 x 3/8" ¹	83263 ¹
14	Wire Harness	102347
15	Gasket ¹	101649 ¹
16	Control w/Overlay ²	101645 ²
17	Screw, #6-19 x 1/2" Plastite ²	102499 ²
18	Cover, Control Board ²	101610 ²
19	Thermistor	102472
-	Hi-Limit Thermostat (not shown)	106613
¹ Must be ordered as kit # 701127-03, which contains items 4, 5, 13 and 15.		
² Must be ordered as kit # 701120, which contains items 16, 17 and 18.		

ERWD30B Drawer Assembly



Item	Description	Part #
1	Assy, Drawer Wrap ¹	701121-03 ¹
2	Drawer, Backing Panel	106388E
3	Moist Crisp Slide	36454
4	Handle, Door	13659-019
5	Door Skin w/Logo ²	701122-05 ²
6	Dacor Logo	72510CH
7	Nut, Lock, Nylon, #10-24	106078
8	Knob, Damper, Black	82415B
9	Screw, Pan Hd, #8-32 x 3/8"	83358
10	Screw, Wfr Hd, #8 x 3/8"	83534
11	Door Handle Spacer	92008
12	Washer, Fiber w/ Adh. 1-Side	83555
13	Screw, Phil Pan, #10-32	83696
¹ Includes drawer wrap and slides, assembled.		
² Includes drawer front, glass and logo, assembled.		