



The Life of the Kitchen.®

PARTS CATALOG

ERG36 Range

IMPORTANT: This product may have some parts that are **No Longer Available (NLA)**. If the part you need is no longer available, please contact Dacor for a possible solution:

DACOR CARES PROGRAM NLA Part Locator Service

Customer Contact Number:

(800) 793-0093 ex. 2813
Hours: 6:00 am - 5:00 pm Pacific Time

Service Agent/Technician Contact Number:

(800) 793-0093 ex. 3814
Hours: 7:00 am - 4:00 pm Pacific Time

Web Inquiries: www.dacor.com/dacorcares **Email Inquiries:** dacorcares@dacor.com

Please provide the following information:

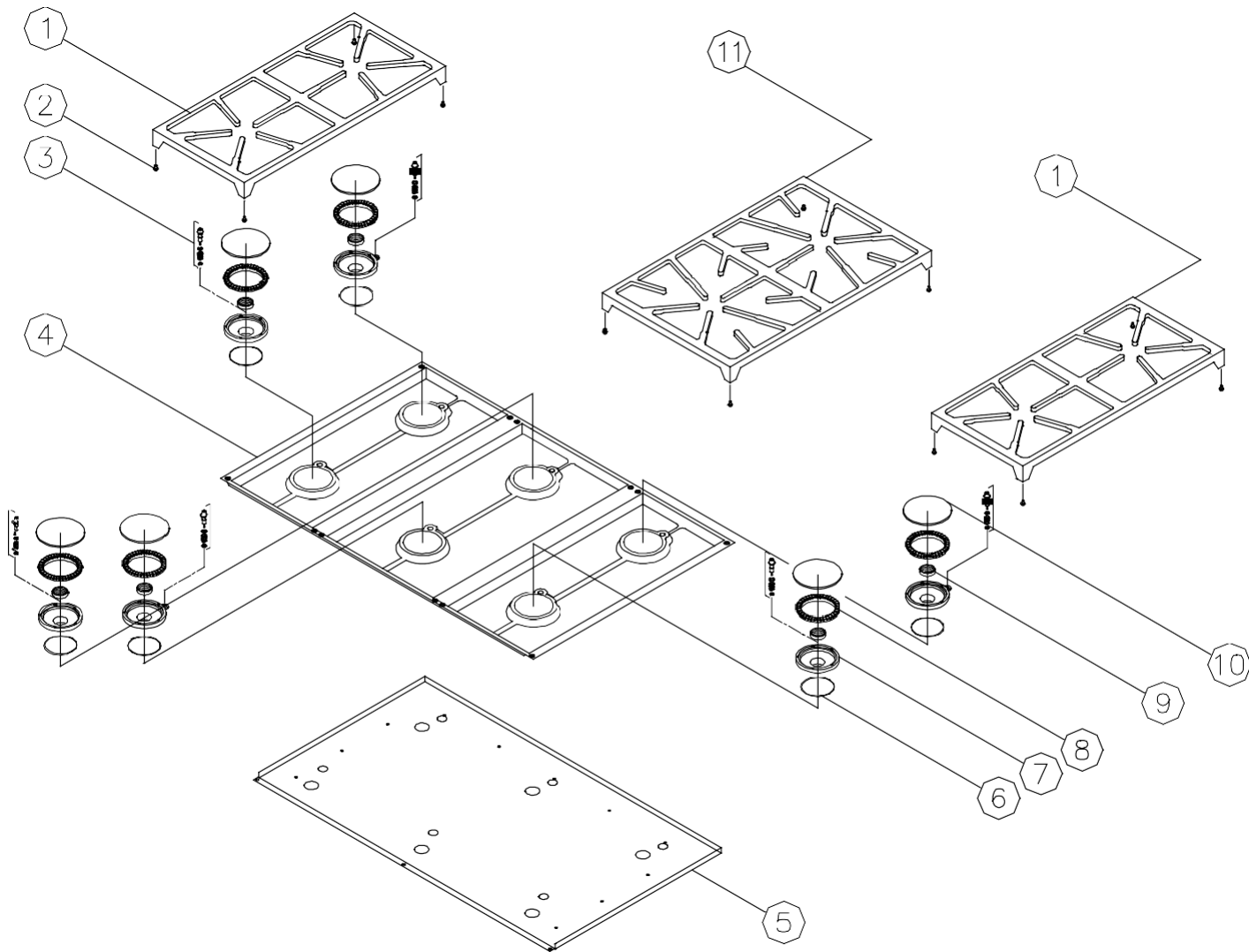
- Your name and phone number
- Product serial number
- Product model number
- The part number(s) you need

Page	Description
2	Top Frame Assembly
3	Bezel Assembly
4	Manifold Assembly
5	Oven Case Assembly
6	Cell Assembly
7	Base Assembly
8	Gas Tubing

	Assembly
9	Door Assembly

Revised 03-02-2012

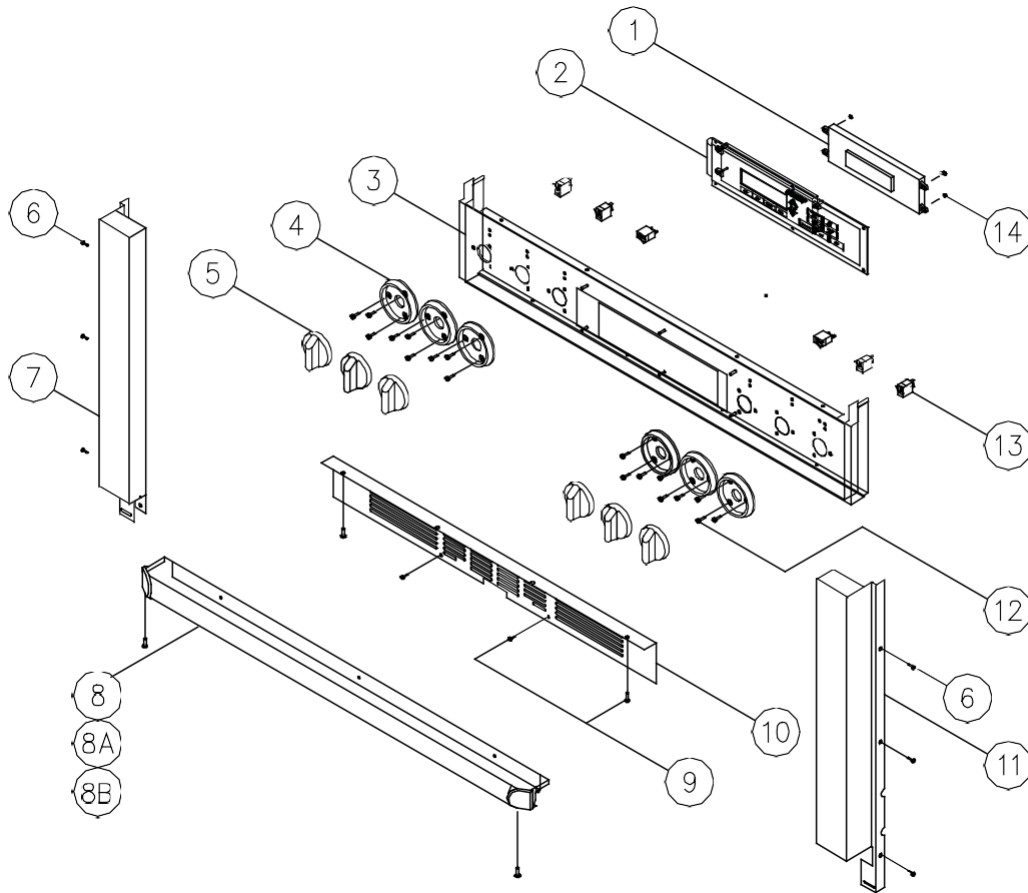
ERG36 Range Top Frame Assembly



1	62883 BM	G R A T E 10"
2	86474	G R A T E S U P P O R T P A D
3	66281	I G N I T O R A S S Y.
4	26959 BP	S P I L L T R A Y
5	36186	H E A T S H I E L D, S P I L L T R A Y
6	82563	O - R I N G, "D" B U R N E R H E A D
7	62954	B U R N E R H E A D "D" B U R N E R
8	62934	B U R N E R R I N G
9	86405	B R A S S N U T
10	62022 BM	"D" B U R N E R C A P
11	62737 BM	G R A T E 14"

Part no longer available? Contact Dacor: (800) 793-0093 ex. 3814

ERG36 Range Bezel Assembly



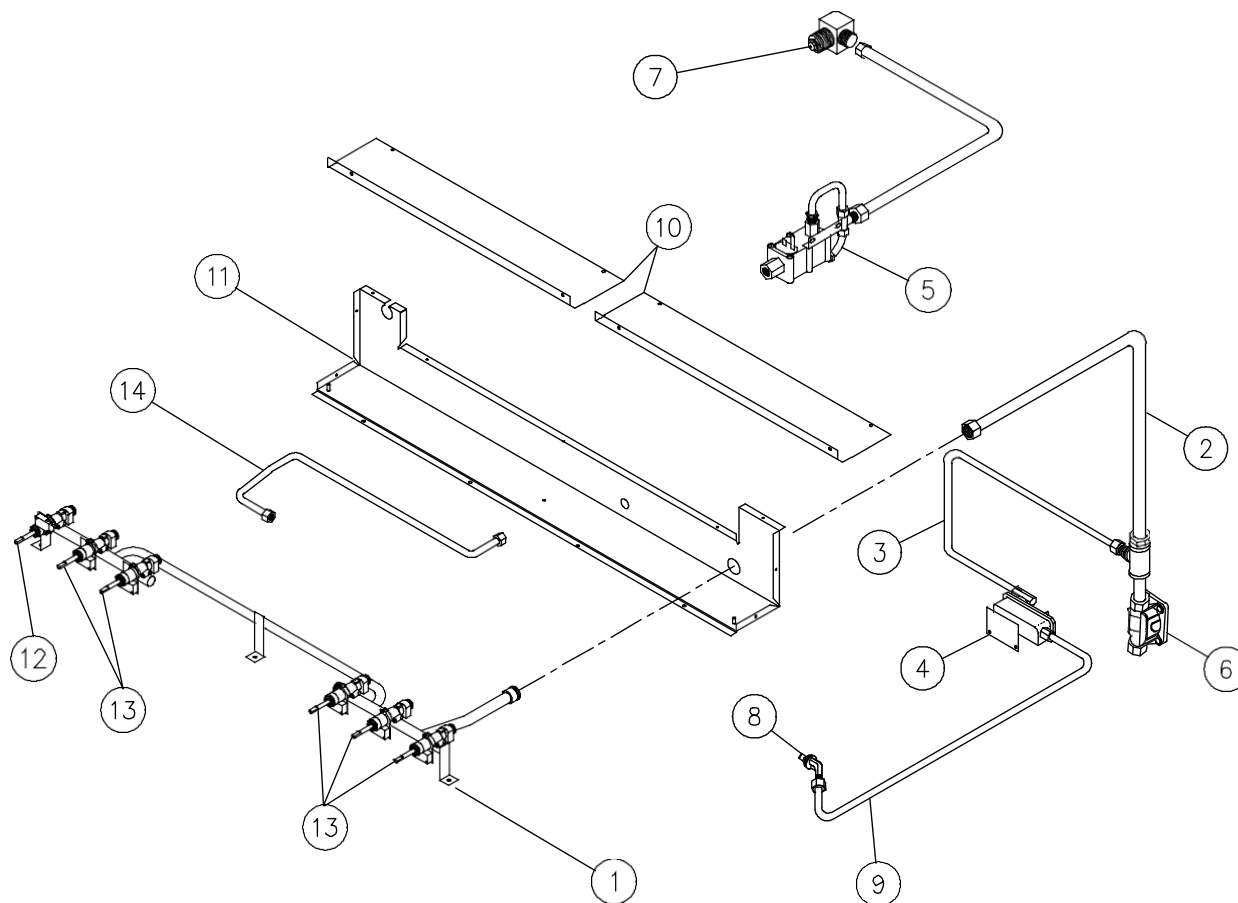
1	6283 2	OVEN C O N T R O L
2	6280 2	M E M B R A N E (T O U C H P A D, B L K)
3	13430SBK,SBR ,SC H ,SC P	C O N T R O L P A N E L A S S Y.
4	62020BR ,C,C P T R I M R I M	B R A S S, C H R O M E, C O P P E R
5	62021 B	K N O B
6	8302 6	S C R E W, 10 X 3/4" S L O T
7	2691 8	S I D E F R A M E, R H
8	36533*	B U L L N O S E
8A	62712BK,BR ,C H ,C P	E N D C A P
8B	8300 7	S C R E W, 8-32 X 1/4" P H I L B D H D
9	8357 1	S C R E W W A S H E R H D. 8 X 3/8"
10	26950	I N T A K E G R I L L
11	26919	S I D E F R A M E, L H
12	83534	S C R E W, W A F E R H D. 8 X 3/8
13	8208 6	I N D I C A T O R L I G H T, B L U E N E O N
14	83308	6-32 K E P S N U T

* Revision Level C change: ER G 36 – FC 01000000

For units **w i t h o u t** grate supports use part number 66831SBK, SBR , SC H , SC P For units **w i t h** grate supports use part number 86570SBK, SBR , SC H , SC P

Part no longer available? Contact Dacor: (800) 793-0093 ex. 3814

ERG36 Range Manifold



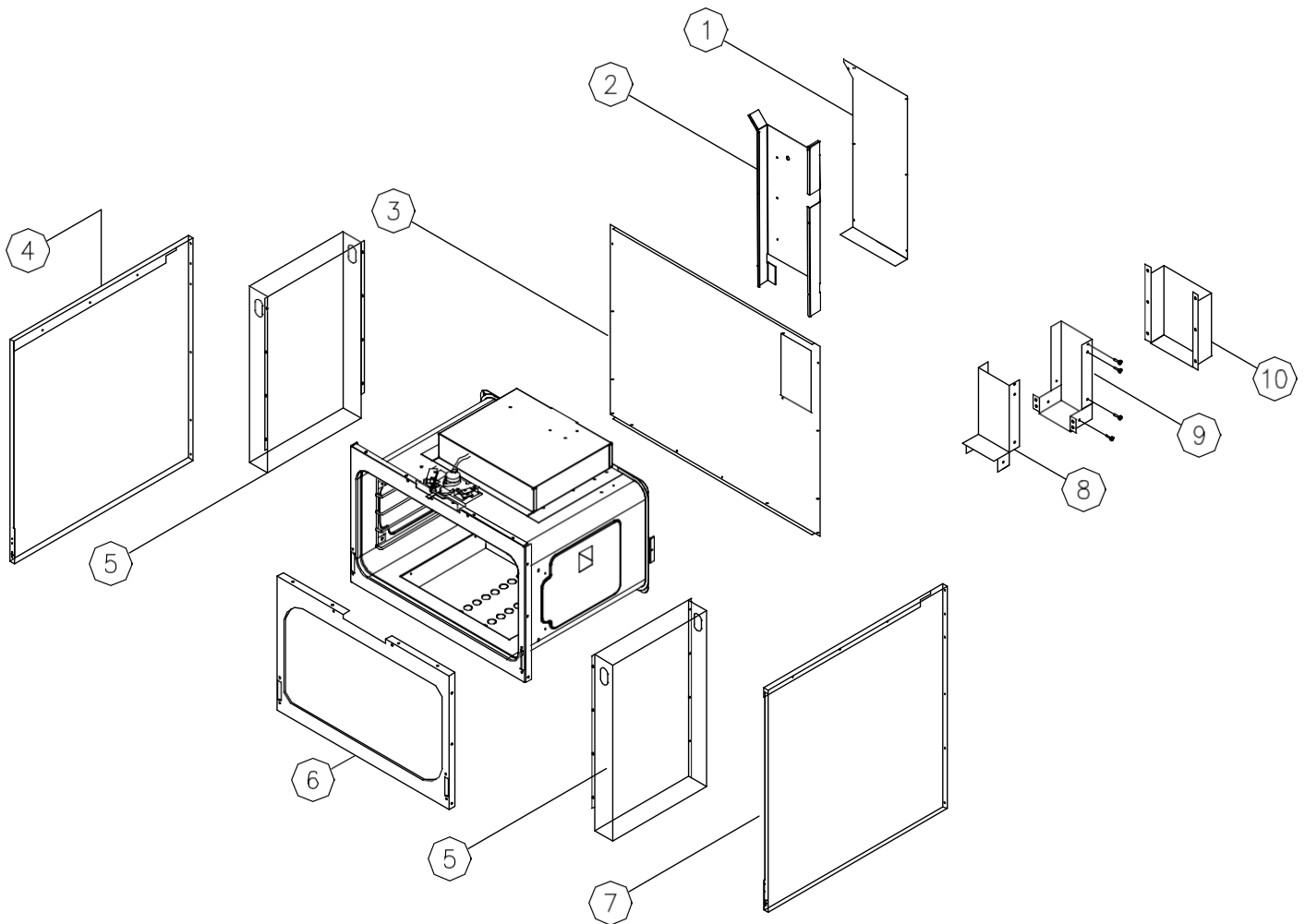
*	62848	M A N I F O L D A S S Y. 5", LP
2	62840	5/8" T U B E, M A N I F O L D
3	62341	3/8" T U B E, R E G U L A T O R
4	62317	S I N G L E G A S V A L V E
5	13233	D U A L G A S V A L V E A S S Y.
6	13469	R E G U L A T O R A S S Y. - N G
*	14470	R E G U L A T O R A S S Y. - LP
7	62838	B R O I L, J E T A S S Y. - N G
*	62956	B R O I L, J E T A S S Y. - LP
8	62844	B A K E F I T T I N G A S S Y. - N G
*	62845	B A K E F I T T I N G A S S Y. - LP
9	62843	3/8" B A K E T U B E
10	36168	M A N I F O L D E N C L O S U R E
11	27359	M A N I F O L D E N C L O S U R E A S S Y.
12	86555	V A L V E - N G
*	86558	V A L V E - LP
13	86556	V A L V E - N G
*	86559	V A L V E - LP
14	62341	T U B E, M A N I F O L D

H I G H A L T I T U D E C H A R T

1	62847	M A N I F O L D A S S Y. N G / H A
*	62849	M A N I F O L D A S S Y. LP / H A
12	86564	V A L V E - LP / H A
*	86561	V A L V E - N G / H A
13	86565	V A L V E - LP / H A
*	86559	V A L V E - N G / H A

Part no longer available? Contact Dacor: (800) 793-0093 ex. 3814

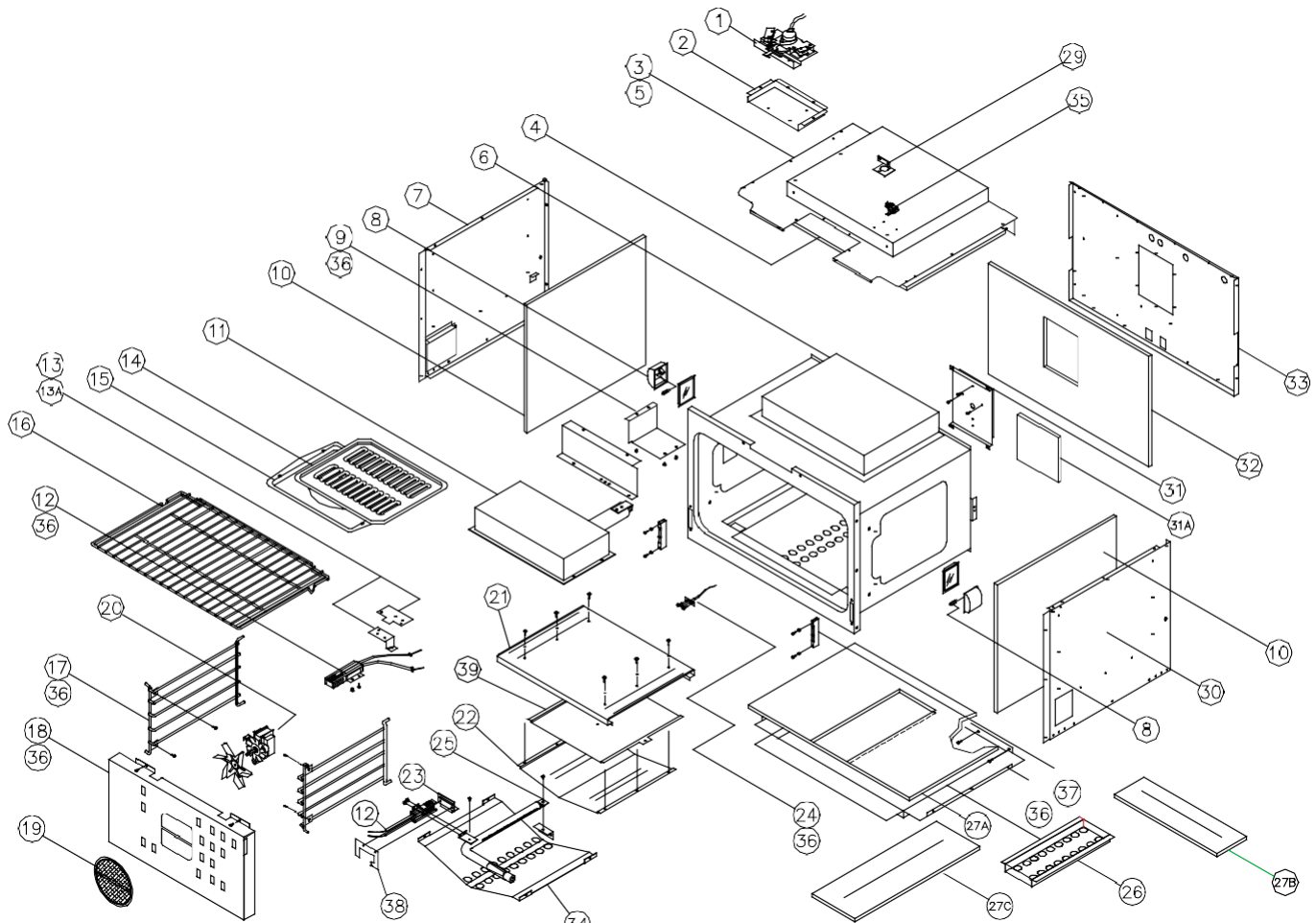
ERG36 Range Oven Case Assembly



1	36448	C O V E R , B A C K E X H . D U C T
2	36449	E X H A U S T D U C T, B A C K
3	36184	B A C K C O V E R
4	36183	S I D E P A N E L, L H
5	38027	R A C E W A Y P A N E L
6	36086	F A C E F R A M E
7	36182	S I D E P A N E L, R H
8	36136 BP	F L U E D U C T B A S E
9	36137	F L U E D U C T C O V E R
10	36015	S H E I L D F L U E D U C T

Part no longer available? Contact Dacor: (800) 793-0093 ex. 3814

ERG36 Range Cell Assembly



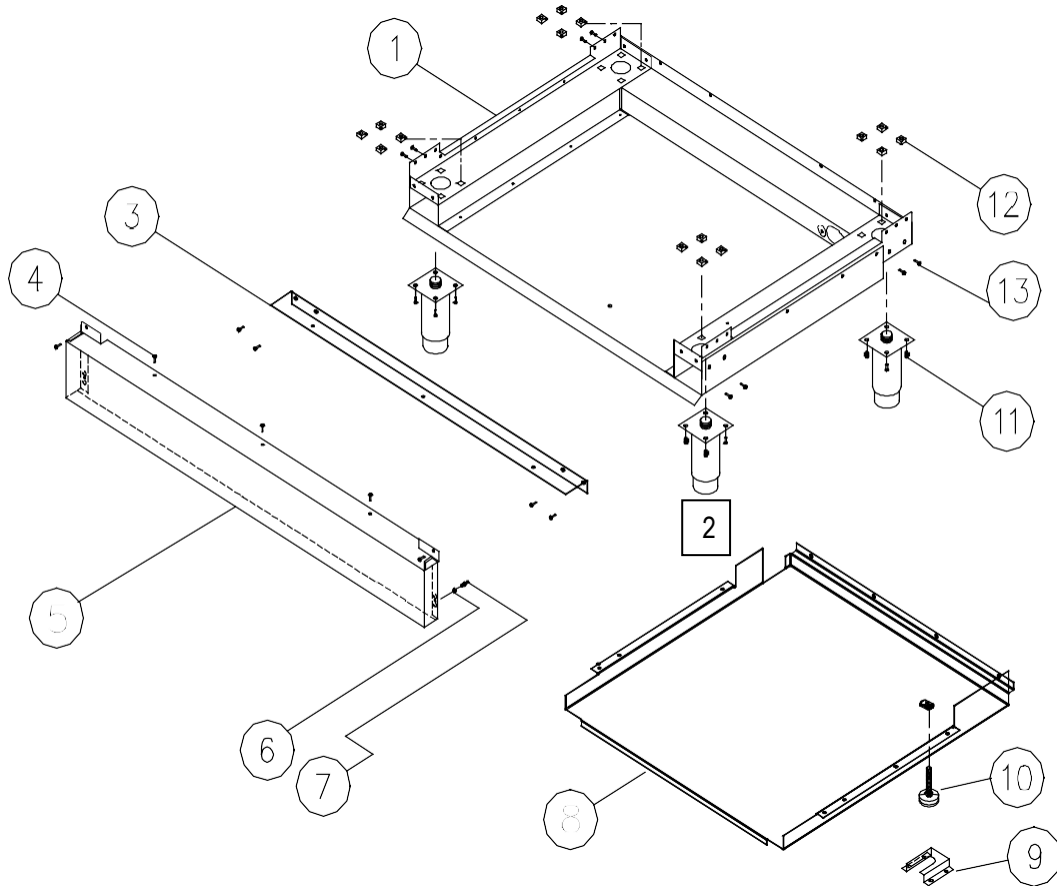
1	86166	DOOR LATCH MECHANISM	21	26449 B P	OVEN CELL BOTTOM
2	26598	LATCH PLATE	22	26441	REFLECTOR BAKE BURNER
3	27560	ASY LID CASE TOP	23	26404	BRKT. TUBULAR BURNER
4	80030	CASE TOP FRONT, INSULATION	24	62593	TEMPERATURE SENSOR 2"
5	36188	CASE TOP, FRONT	25	82431	TUBULAR BURNER
6	CELL, NOT A R E P L A C E A B L E P A R T		26	26127	CASE BOTTOM COVER
7	27530	CASE SIDE A S Y., L E F T	27	36372	CASE BOTTOM
8	62175	H A L O G E N L I G H T, A S Y.	27 A	80174	INSULATION CELL BOTTOM 4
9	36098	V E N T U R I T U B E S H I E L D	27 B	80176	INSULATION CELL BOTTOM 2
10	80032	I N S U L A T I O N C A S E S I D E	27 C	80177	INSULATION CELL BOTTOM 1
11	62262	I R B R O I L E R	28	62436	H I N G E , D O O R
12	82473	H O T S U R F A C E I G N I T O R	29	36276	B R A C K E T , H I - L I M I T S S W I T C H
13	36286	B R A C K E T , I G N I T O R M T G	30	27529	C A S E S I D E A S Y., R I G H T
13 A	36285 B P	S H I E L D , I G N M T G B L K	31	36280	C O N V. M T R M T G . P L A T E A S Y.
14	82106	P O R C E L A I N G R I L L	31 A	80168	I N S U L A T I O N
15	82107	P O R C E L A I N G R I L L P A N	32	80031	I N S U L A T I O N , C A S E R E A R
16	62783	O V E N R A C K	33	26882	C A S E R E A R
17	62972	R A C K S U P P O R T	34	36445	H E A T S H I E L D , B A K E B U R N E R
18	36442 B P	C O N V E C T I O N B A F F L E	35	62971	S W I T C H , A U T O R E S E T H I - T E M P
19	82891	C O N V E C T I O N F I L T E R	36	83534	S C R E W , W A F E R H D. # 8 X 3 / 8 "
20	62101	C O N V E C T I O N F A N I N T.	37	83420	S C R E W , B T N H D, # 10 - 32 X . 5 0 0
			38	36166	B R A C K E T , I G N I T O R
			39	36360	S H I E L D , C E L L B O T T O M

**B ulb only

86573

Part no longer available? Contact Dacor: (800) 793-0093 ex. 3814

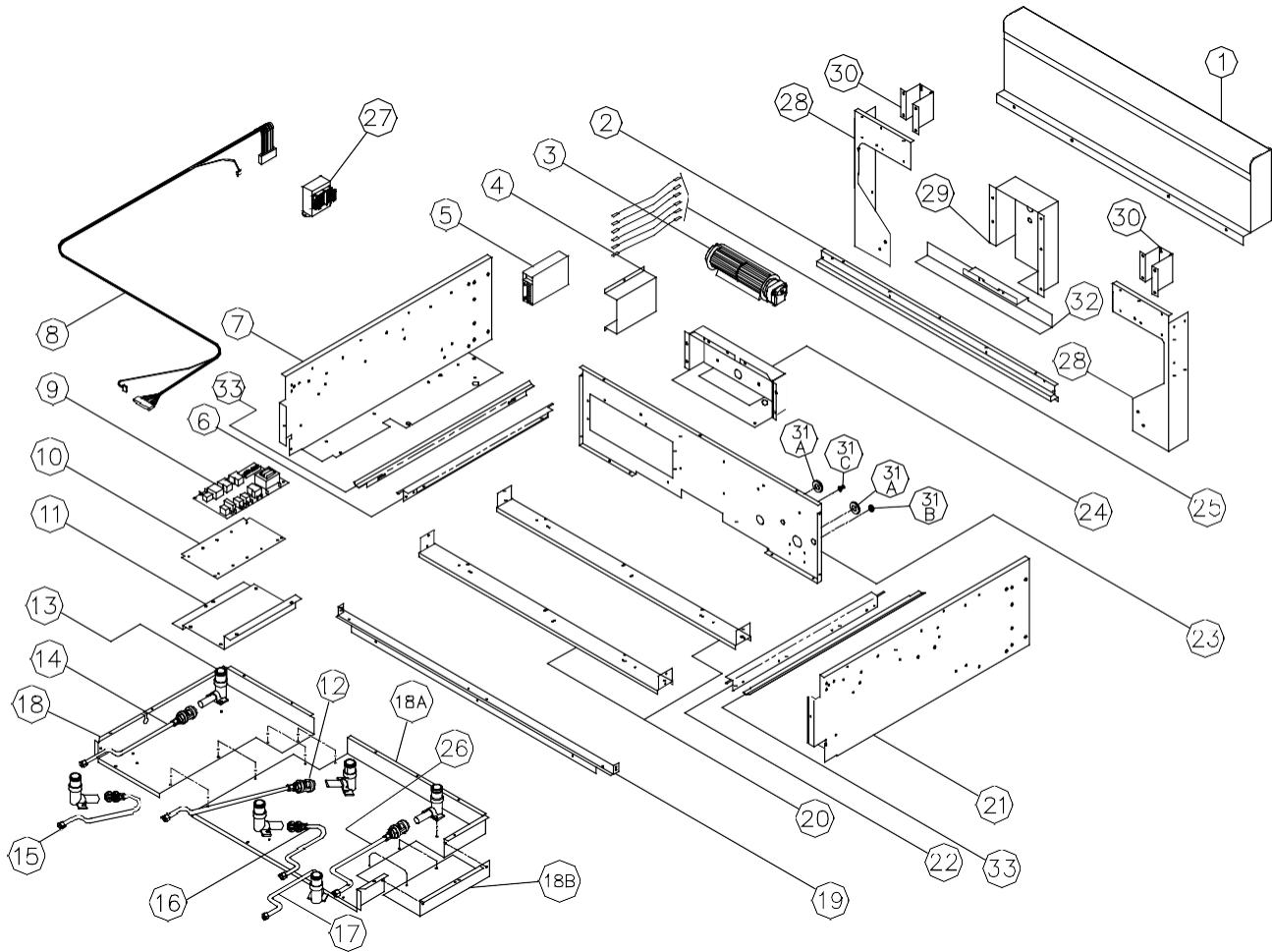
ERG36 Range Base Assembly



1	13464	BASE ASSEMBLY
2	700000	ADJUSTABLE LEG
3	36396	EXHAUST DEFLECTOR
4	83534	SCREW, WAFER HEAD # 8 X 3/8"
5	36167	KICK PANEL
6	83308	6-32 NUT
7	83412	BALL STUD EXTENDED
8	27653	EXHAUST DUCT
9	26041	ANTI-TIP BRACKET
10	83359	LEVELER
11	83397	SCREW, CAP 1/4-20 X 5/8
12	83398	NUT, RETAINER 1/4-20
13	83023	SCREW, SLOT HEAD, # 10 X 3/8"
*****	66813	Black Plastic Leg Insert

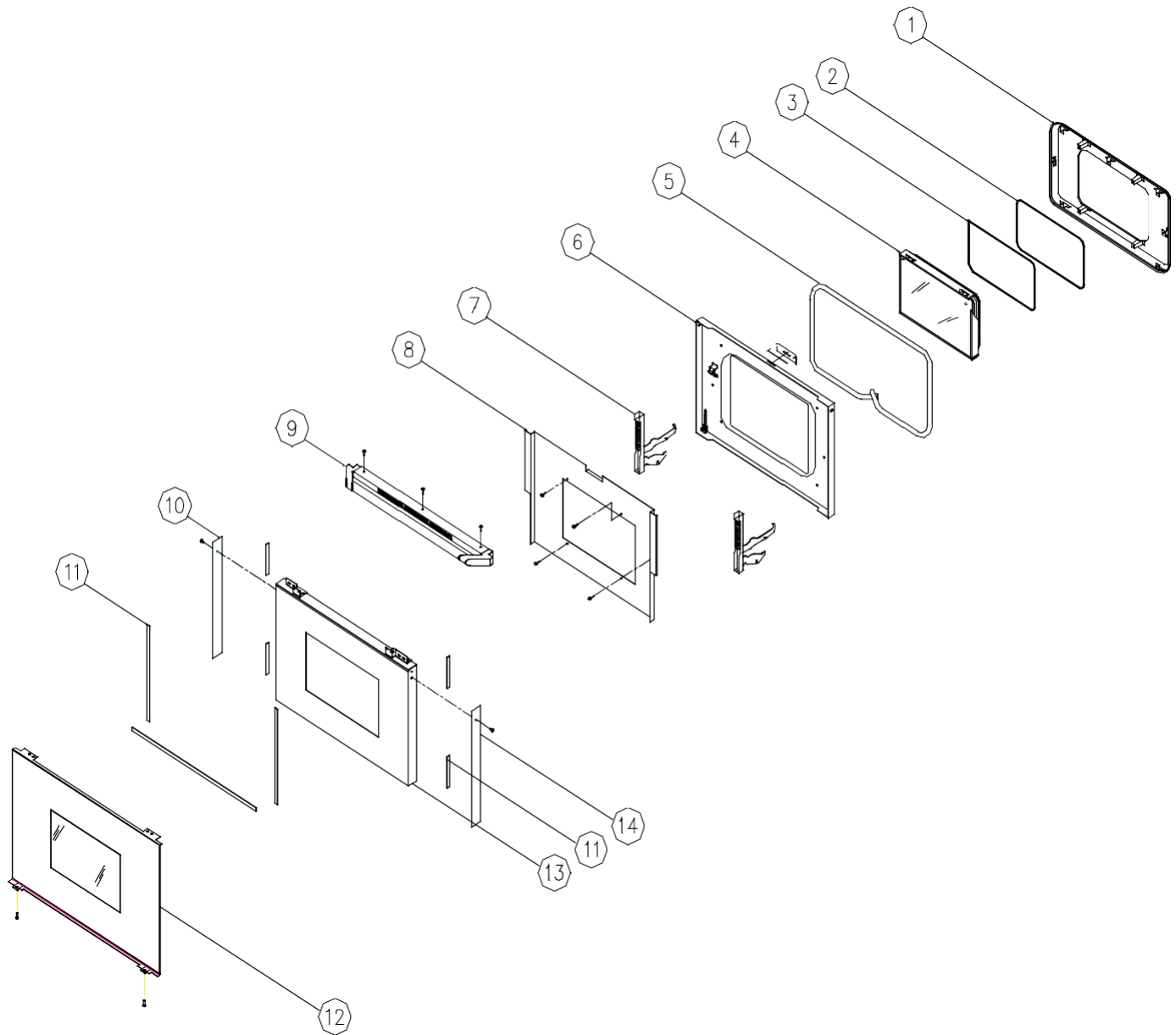
Part no longer available? Contact Dacor: (800) 793-0093 ex. 3814

ERG36 Range Gas Tubing Assembly



1	13346	BAC KSPLASH 3"	18	36191	C H ASSIS TO P LEFT
*	13327	BAC KSPLASH 9"	18 A	36190	C H ASSIS TO P R I G H T
*	13358	BAC KSPLASH 24"	18 B	36170	C H ASSIS TO P C O V E R
2	36130	C H A N N E L M T G	19	36532 B	S U P P O R T, S P I L L T R A Y F R O N T, B L K
3	82347	C O O L I N G F A N	20	26928	C H A N N E L, B U R N E R S U P P O R T
4	26874	B R A C K E T I G N I T O R	21	27510	S I D E S U P P O R T, R H
5	86528	S P A R K M O D U L E, 6 P T	22	36035	S I D E S U P P O R T, S P I L L T R A Y R H
6	36035	L H S P T, S P I L L T R A Y	23	36025	R E A R P A N E L
7	26924	S I D E S U P P O R T, L H	24	26971	B R A C K E T, C O O L I N G F A N
8	66822	H A R N E S S A S S Y.	25	62817	I G N I T O R W I R E S
9	62438	R E L A Y, P C B (105 C)	26	62855	B U R N E R T U B E, # 6 N G
10	26072	P C B M T G. P L A T E	*	62867	B U R N E R T U B E, # 6 L P
11	83538	S U P P O R T, R E L A Y P C B	**	82151	T E R M I N A L B L O C K
12	62852	B U R N E R T U B E, # 3 N G	27	62057	T R A N S F O R M E R, C L A S S 2
*	62864	B U R N E R T U B E, # 3 L P	28	36217	S T I F F E N E R, R E A R P A N E L (R H)
13	62144	B U R N E R B A S E	**	36218	S T I F F E N E R, R E A R P A N E L (L H)
14	62850	B U R N E R T U B E, # 1 N G	29	36476	V E N T U R I O R F I C E C O V E R
*	62862	B U R N E R T U B E, # 1 L P	30	36215	C H A N N E L, S T I F F E N E R
15	62851	B U R N E R T U B E, # 2 N G	31 A	83078	G R O M M E T
*	62863	B U R N E R T U B E, # 2 L P	31 B	38278	G R O M M E T
16	62853	B U R N E R T U B E, # 4 N G	31 C	83523	B U S H I N G, 3/8" H O L E
*	62865	B U R N E R T U B E, # 4 L P	32	36468	D U C T, P R I M A R Y A I R
17	62854	B U R N E R T U B E, # 5 N G			
*	62866	B U R N E R T U B E, # 5 L P			

ERG36 Range Door Assembly



1	27349BP	INNER LINER ASSY.
2	82790BP	"J" TRIM
3	26429	THERMOCORD
4	12470	WINDOW PACK
5	62813	DOOR GASKET
6	86753	OUTER LINER ASSY.
7	62436	HINGE
8	26908B	HEAT SHIELD
9	13433SBK,SBR,SCH,SCP	DOOR HANDLE ASSY.
10	36172	TRIM DOOR EDGE (LH)
11	83573	TAPE, DBL SID ED
12	66092	DOORSKIN
13	27615B	DOOR FRAME
14	36171	TRIM DOOR EDGE (RH)