

The Dacor logo is rendered in a bold, italicized, sans-serif font with a metallic, 3D effect. The letters are dark with a lighter, reflective highlight on the top and left sides, giving it a sleek, modern appearance. A registered trademark symbol (®) is located to the right of the logo.

The Life of the Kitchen.®

A faded background image of a kitchen featuring a white Dacor ERDE36 range. The range has a stainless steel top with six burners and a white oven door below. The text 'PARTS CATALOG' is overlaid in large, semi-transparent, 3D block letters across the center of the range.

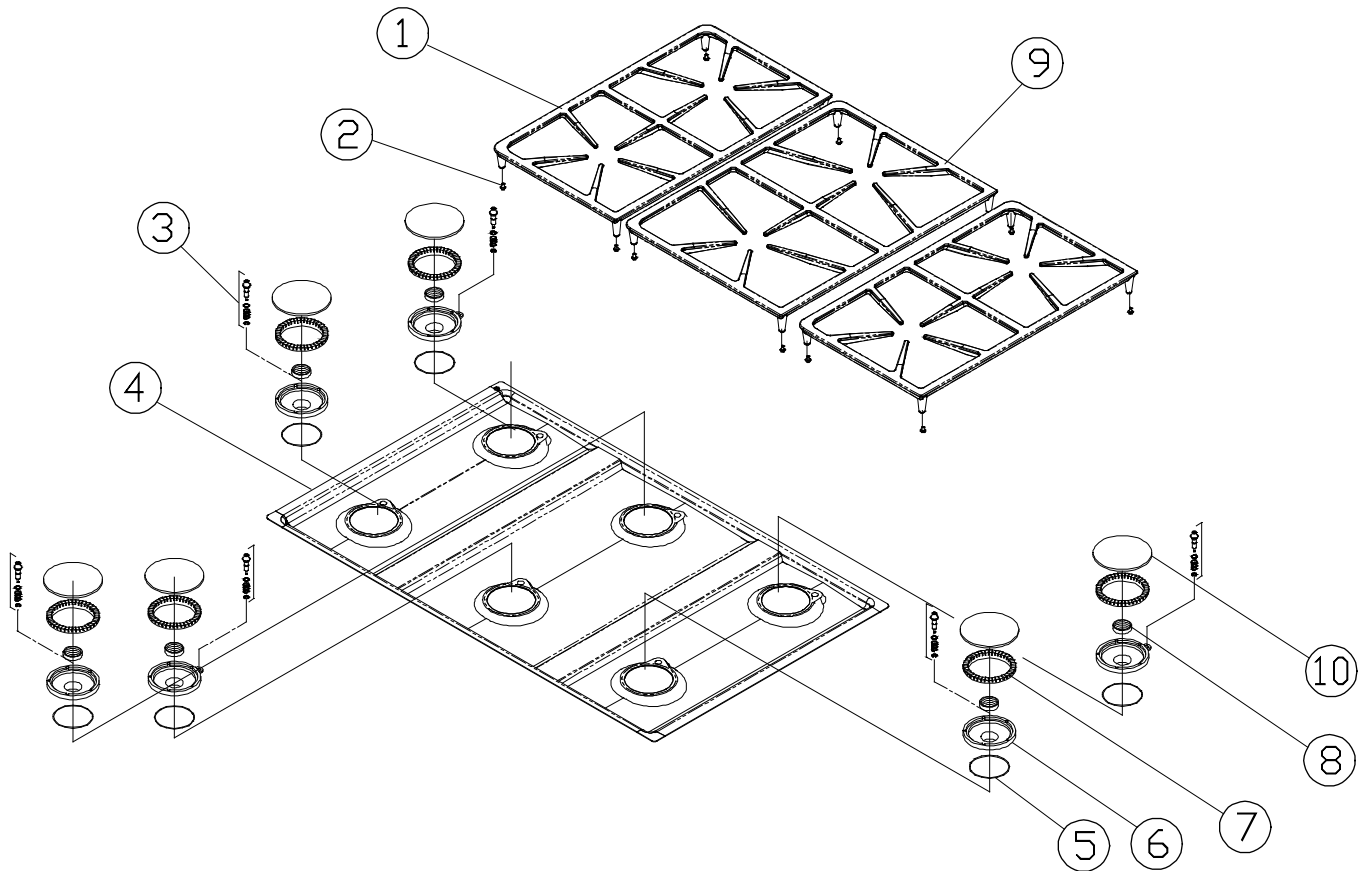
PARTS CATALOG

ERDE36 Range

Page #	Description
2	Top Assembly
3	Gas Tubing
4	Gas Tubing Parts
5	Oven Cell Assembly
6	Oven Cell Components
7	Oven Case Assembly
8	Control Panel Assembly
9	Manifold Assembly
10	Door Assembly
11	Base Assembly

Revised 11-11-2013

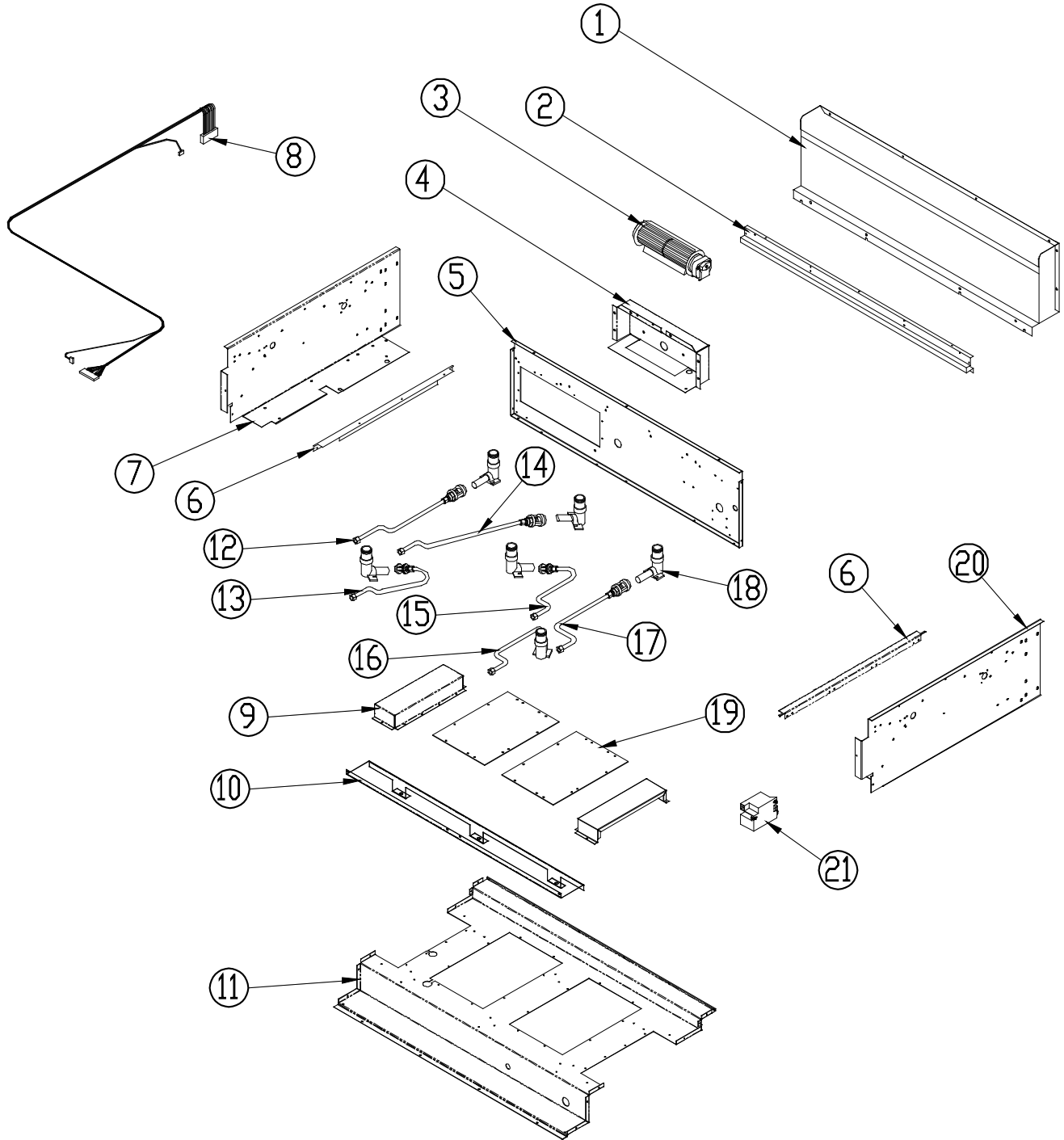
ERDE36 Top Assembly



Item	Part #	Description
1	72433SB	Grate Pack, 10" Grates
2	86474	Grate Support Pad, SGM
3	76482-001 ¹	Assy, Igniter Kit Single ¹
4	26959BP	Spill Tray Black Porcelain
5	86395	O-Ring, "D" Burner
6	62954	Burner Head, "D" Burner
7	82564	Burner Ring, "D" Burner
8	86405	Brass Nut
9	72434SB	Grate Pack, 14"
10	72435SB	Burner Cap, "D" Burner

¹Kit # 76482-001 includes igniter and igniter wire jacket.

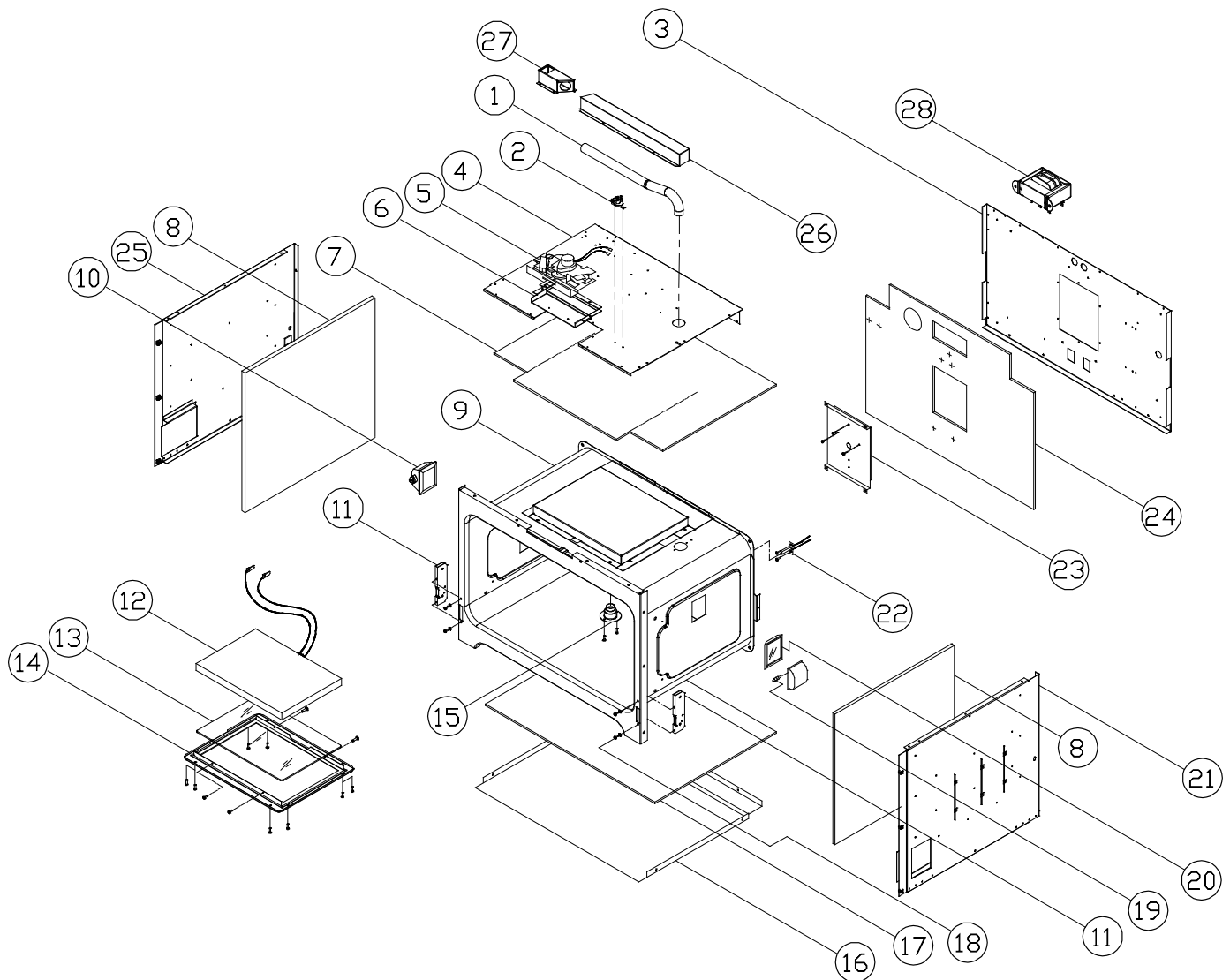
ERDE36 Gas Tubing



ERDE36 Gas Tubing Parts

Item	NG Part #	LP Part #	NG/H Part #	LP/H Part #	Description
1	AERB3603	AERB3603	AERB3603	AERB3603	Backsplash, 3"
	13327	13327	13327	13327	Backsplash, 9"
	13358	13358	13358	13358	Backsplash, 24"
2	36130	36130	36130	36130	Channel, MTG, Top Frame, RR
3	82347	82347	82347	82347	Fan, Cooling, Gas Range
4	26971	26971	26971	26971	Bracket, Cooling Fan
5	46071	46071	46071	46071	Rear Panel
6	36035	36035	36035	36035	Side Support, Spill Tray
7	26924	26924	26924	26924	Side Support, LH
8	72818	72818	72818	72818	Wire Harness
9	46072	46072	46072	46072	Cover, Chassis
10	46080	46080	46080	46080	Shield, Manifold
11	27869	27869	27869	27869	Chassis
12	62850	62372	62856	62374	Assy, 5" Tube #1
13	62851	62369	62857	62371	Assy, 5" Tube #2
14	62852	62363	62858	62365	Assy, 5" Tube #3
15	62853	62366	62859	62368	Assy, 5" Tube #4
16	62854	62375	62860	62377	Assy, 5" Tube #5
17	62855	62405	62861	62407	Assy, 5" Tube #6
18	62325	62325	62325	62325	Base, Burner w/ Tube
19	46076	46076	46076	46076	Access Panel, ERDE36
20	27510	27510	27510	27510	Assy, Side Support, RH
21	86528	86528	86528	86528	Spark Module
-	92028	92028	92028	92028	Relay, PCB (not shown)
-	100195	100195	100195	100195	Ignitor Wire Kit, Set of 6 (not shown)

ERDE36 Oven Cell Assembly

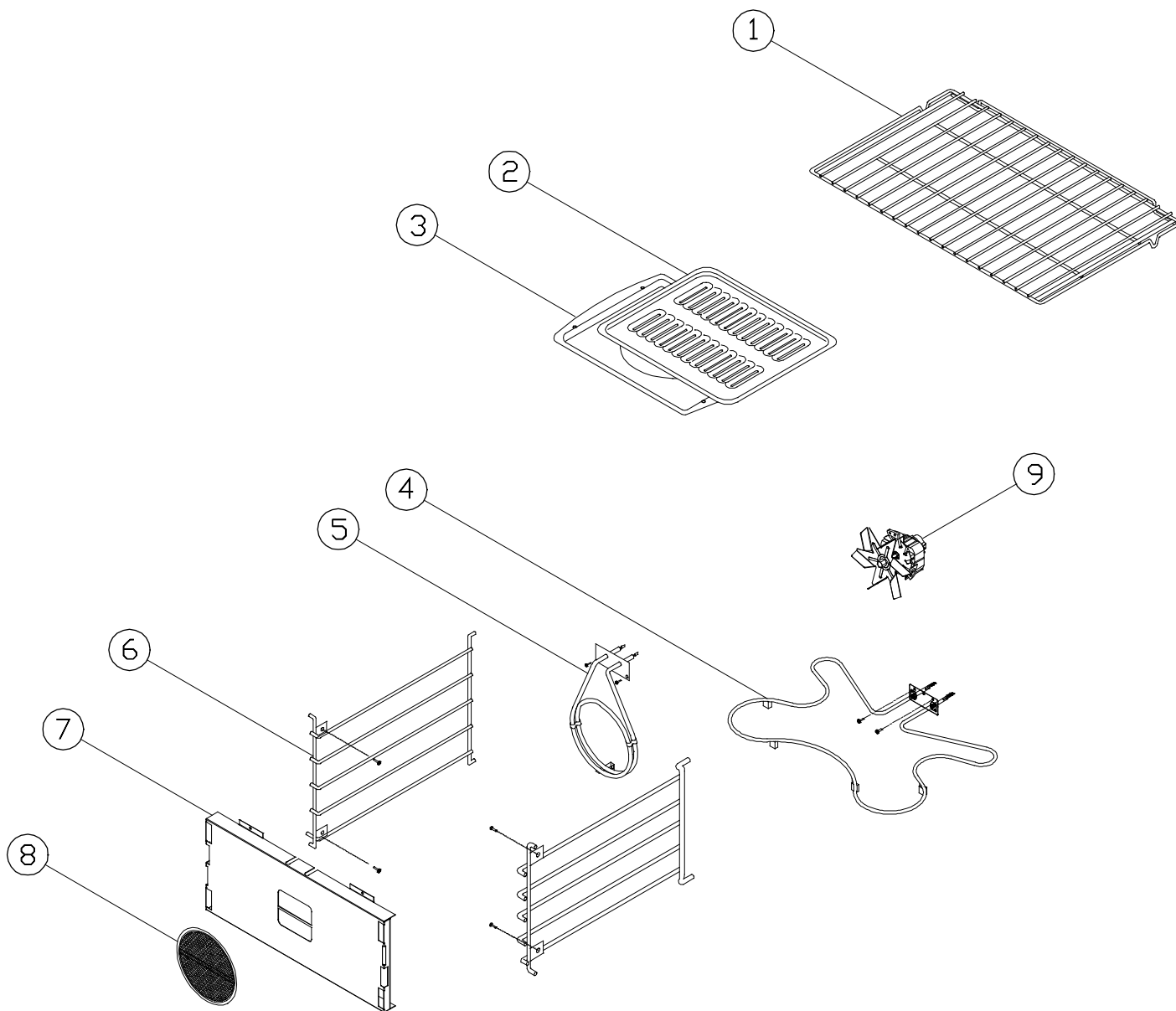


Item	Part #	Description
1	72816	Exhaust Tube
2	82987	Hi-Limit Switch
3	26882	Case Rear
4	46073	Case Top
5	701582 ¹	Assy, Door Latch ¹
6	701582 ¹	Latch Plate ¹
7	80030	Insulation Top
8	80032	Insulation Cell Top
9	N/A	Assy, Oven Cell
10	62175	Assy, Halogen Light
11	62075	Receptacle Hinge
12	72928	Broil Element
13	72160	Broil Glass

Item	Part #	Description
14	27865BP	Assy, Broiler Glass Frame
15	82826	Smoke Eliminator
16	26974	Case Bottom
17	80040	Insulation Bottom
18	83420	Screw, 10-32 x .500
19	86573	Halogen Blub, 10 W, 12 VAC
20	86574	Halogen Light Shield
21	27529	Case Side Right
22	62593	Temperature Sensor
23	36280	Convection Motor Mounting Plate
24	80029	Insulation Rear
25	27530	Case Side Left
26	46061	Smoke Shield
27	27866	Steam Box
28	62808	Transformer Halogen Light

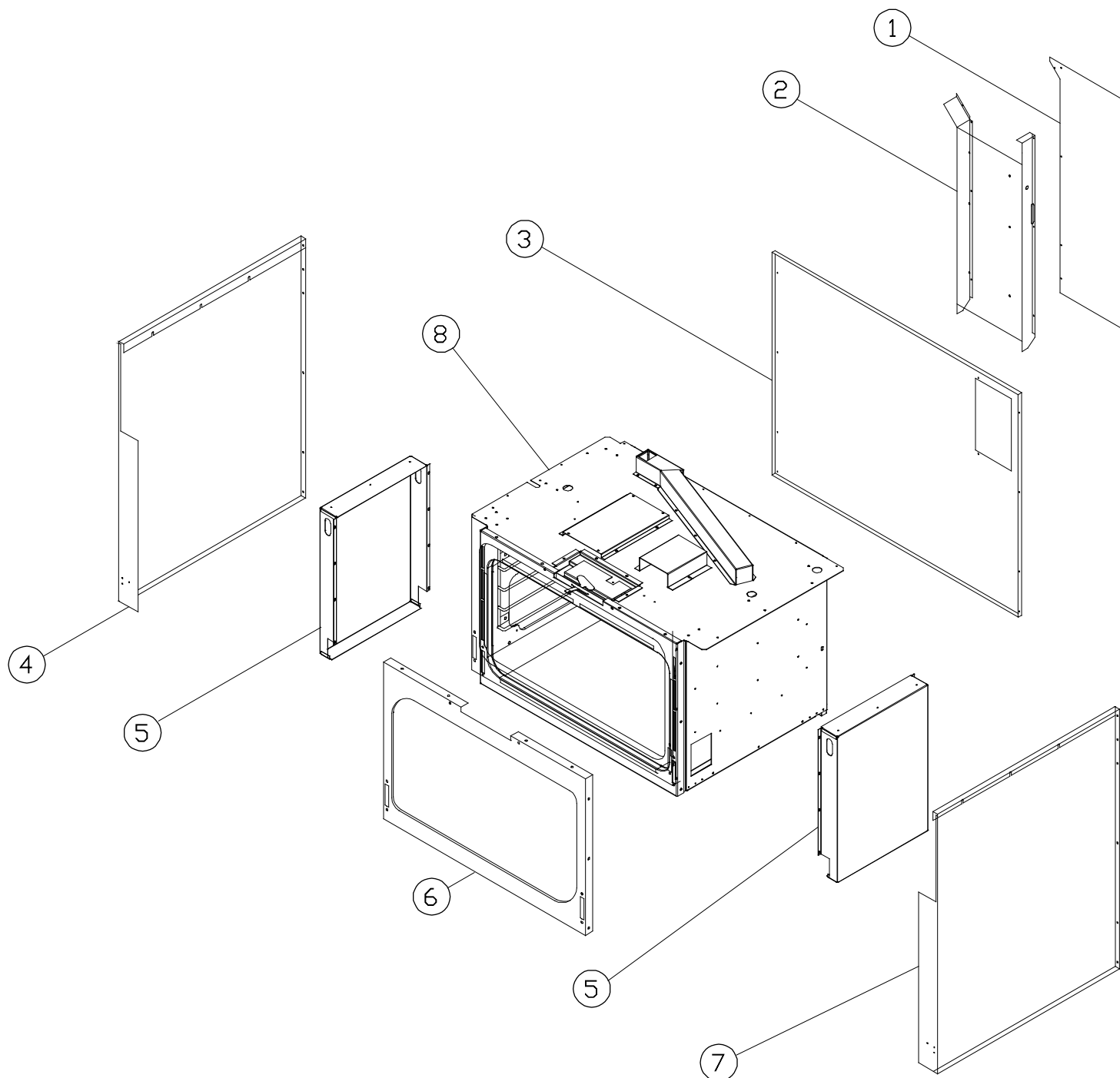
¹Must order kit # 701582. Includes latch, latch plate and 6 screws.

ERDE36 Oven Cell Componets



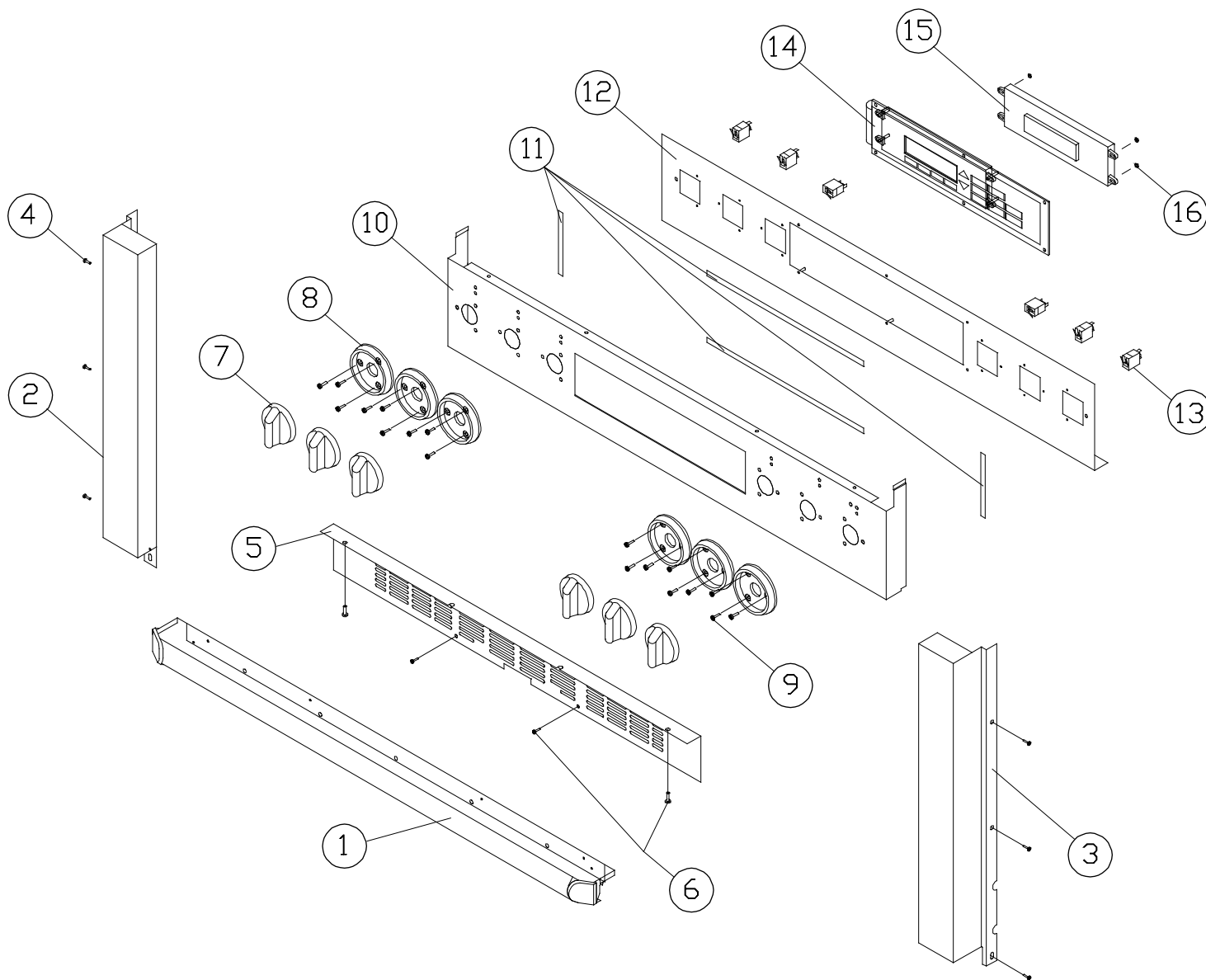
Item	Part #	Description
1	62783	Oven Rack, 36"
2	82106	Porcelain Grill
3	82107	Porcelain Pan
4	62601	Bake Element
5	701042 ¹	Convection Element Kit ¹
6	62972	Support Rack
7	46089BP	Convection Baffle
8	82891	Convection Filter
9	62101 ²	Assy, Convection Motor ²
¹ Kit # 701042 includes convection element, fan blade, washer and nut.		
² Kit # 62101 includes convection fan motor, fan blade, washer and nut		

ERDE36 Oven Case Assembly



Item	Part #	Description
1	36020	Cover, Exhaust Duct
2	36493	Exhaust Duct
3	36184	Back Cover
4	36183	Side Panel, LH
5	27554	Weldment, Raceway
6	36086	Face Frame
7	36182	Side Panel, RH
8	N/A	Oven Case

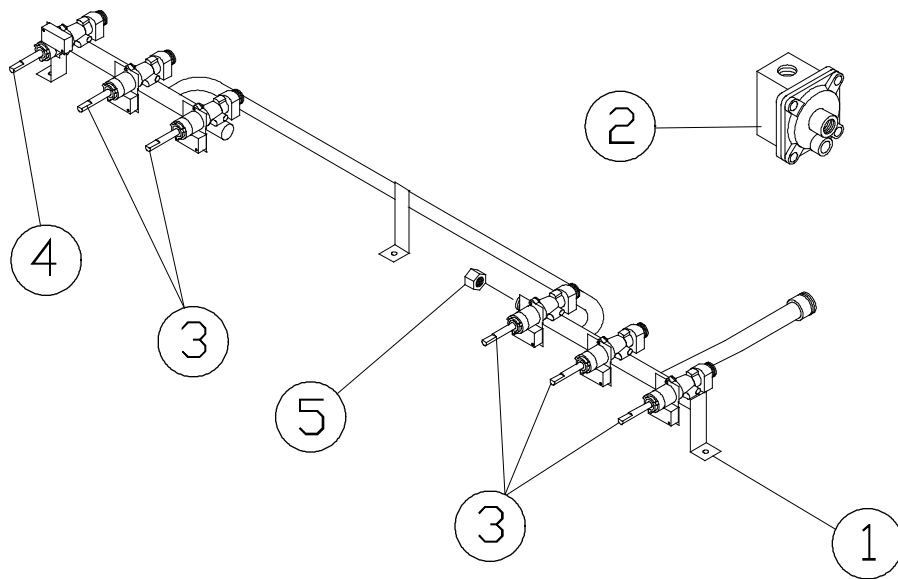
ERDE36 Control Panel



Item	Part #	Description
1	66831SBK	Assy, Bullnose w/ Black Caps
	66831SBR	Assy, Bullnose w/ Brass Caps
	66831SCH	Assy, Bullnose w/ Chrome Caps
	66831SCP	Assy, Bullnose w/ Copper Caps
2	26918	Side Frame, Right
3	26919	Side Frame, Left
4	83026	Screw, HWH, #10 x 3/4"
5	26950	Intake Grill
6	83263	Screw, Phil Wfr, #8 x 3/8"
7	62021B	Knob, Control, Epicure

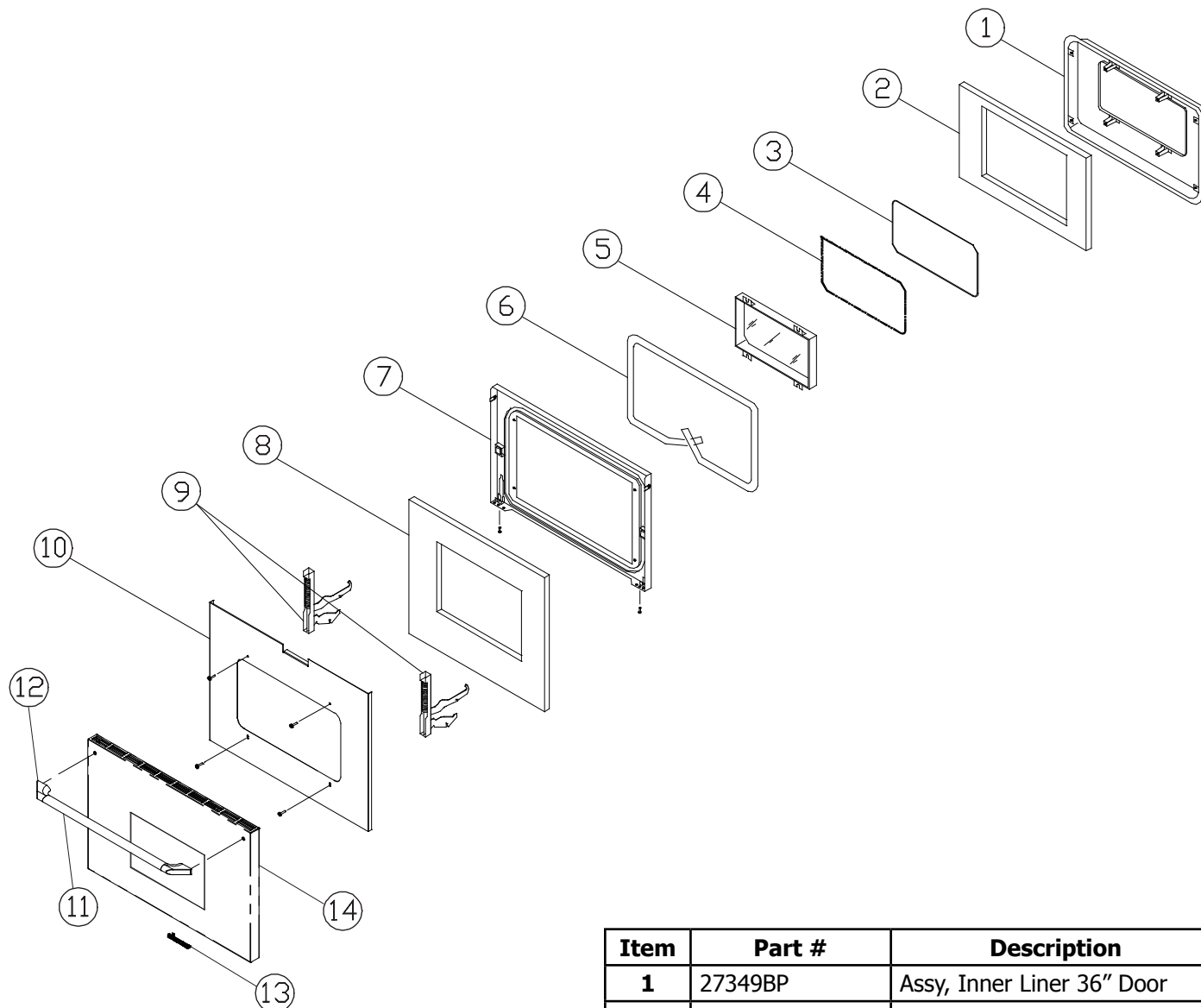
Item	Part #	Description
8	100122BC	Trim Ring, Knob, Black Chrome
	100122BR	Trim Ring, Knob, Brass
	100122CH	Trim Ring, Knob, Chrome
	100122CP	Trim Ring, Knob, Copper
9	83534	Screw, HD, #8 x 3/8"
10	26898E	Control Panel
11	83577	Tape, Dbl Sided, 3M
12	26915	Sub-Control Panel
13	82086	Indicator Light
14	62309	Switch Panel, Membrane
15	62964	Oven Control Service Kit
16	83308	Nut, Keps, #6-32

ERDE36 Manifold Assembly



Item	NG Part #	LP Part #	NG/H Part #	LP/H Part #	Description
1	62967	62335	62968	62333	Assy, Manifold w/ Valves
2	13478	13232	13478	13232	Assy, Regulator
3	86962	86559	86966	86565	Valve
4	86961	86558	86965	86564	Valve
5	62058	62058	62058	62058	Cap - 3/8"
6	103789	103789	103789	103789	Switch, Ignitor (not shown)

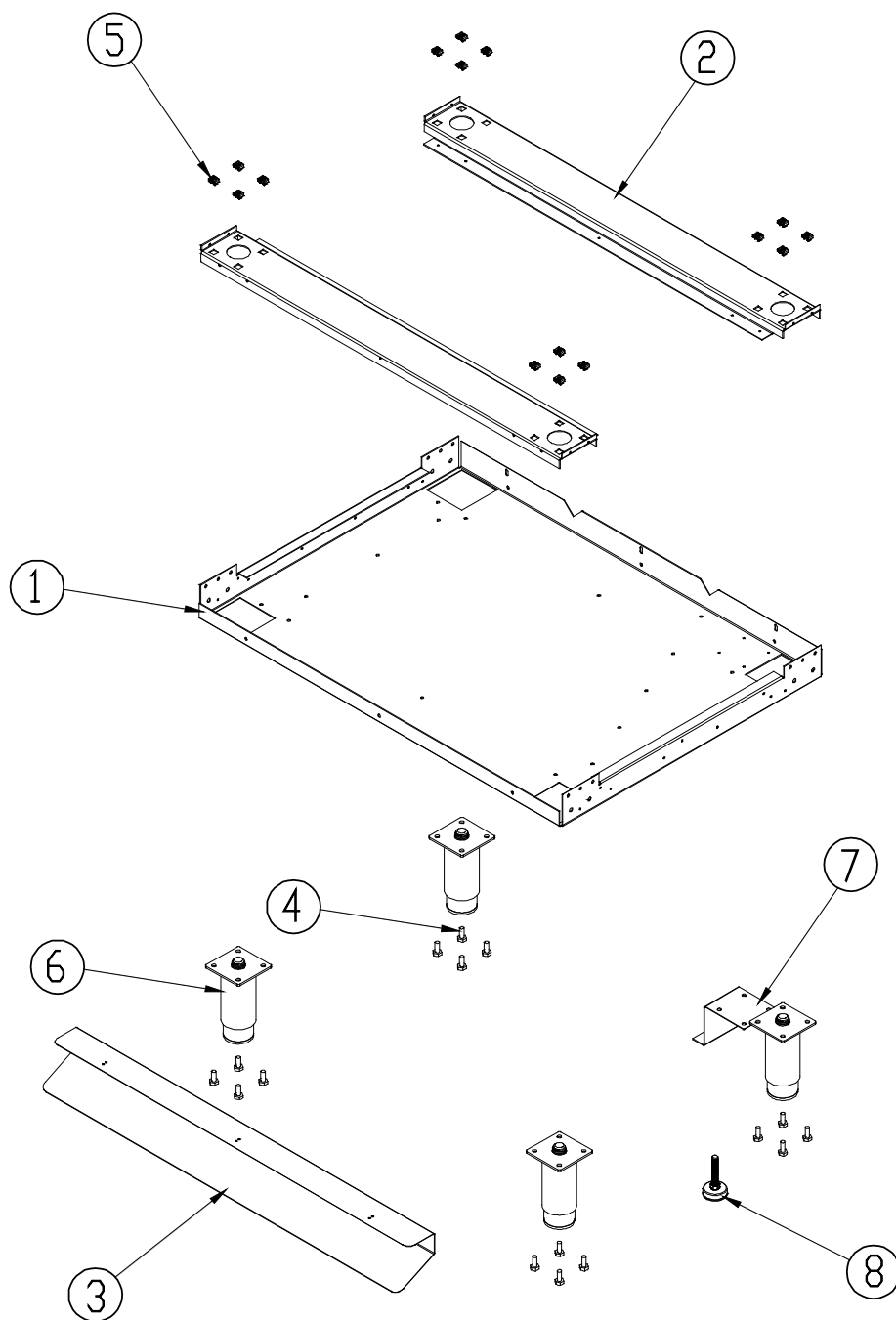
ERDE36 Door Assembly



Item	Part #	Description
1	27349BP	Assy, Inner Liner 36" Door
2	80108	Insulation, Window Pack
3	82790BP	J-Trim Window Pack
4	83425	Thermocord, 3/16"
5	13140	Window Pack, 36" Door
6	72046	Door Gasket, 36" Door
7	27352BP	Outer Liner Assy, 36" Door
8	80033	Insulation Set, 36" Door
9	62436	Hinge, Nuova Star-Gold
10	26908B	Heat Shield, 36" Door
11	62209	Handle, 36" Epicure
12	62691BK/BR/CH/CP	End Cap, Epicure
13	72511CH/BR/CP	Dacor Logo Large
14	66995 ¹	Assy, Outer Door, 36" ¹

¹Kit # 66995 includes outer door frame, trim and skin with outer door glass installed.

ERDE36 Base Assembly



Item	Part #	Description
1	36189	Base
2	36074	Leg Nut Support, Base
3	36165	Deflector Exhaust
4	83397	Screw, Cap, 1/4-20 x 3/8"
5	83398	Nut Retainer, 1/4-20
6	700000	Leg, 1/2" Epicure
7	27502	Anti-Tip Bracket
8	83034	Leveler, Anti-Tip Bracket
-	83023	Screw, Slot HWH, #10 x 3/8"
-	66813	Plastic Leg Insert