



The Life of the Kitchen.®

# PARTS CATALOG

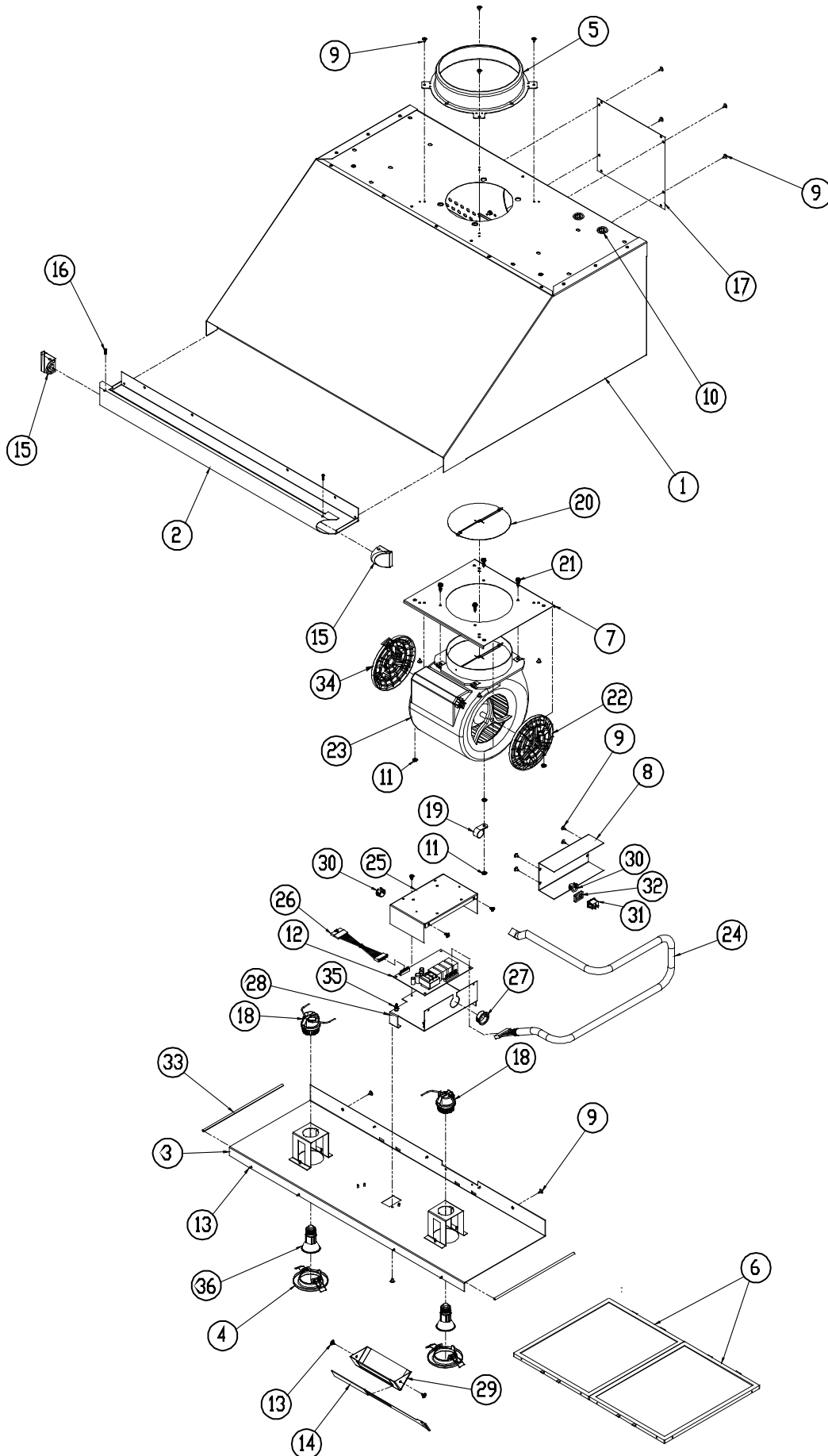
## EH Series Hoods

Page	Description
2	EH3012 Assembly
3	EH3012 Parts
4	EH3018 Assembly
5	EH3018 Parts
6	EH3612 Assembly
7	EH3612 Parts
8	EH3618 Assembly
9	EH3618 Parts
10	EH4212 Assembly

Page	Description
11	EH4212 Parts
12	EH4218 Assembly
13	EH4218 Parts
14	EH4812 Assembly
15	EH4812 Parts
16	EH4818 Assembly
17	EH4818 Parts
18	EH5418 Assembly
19	EH5418 Parts

Revised 02-15-2013

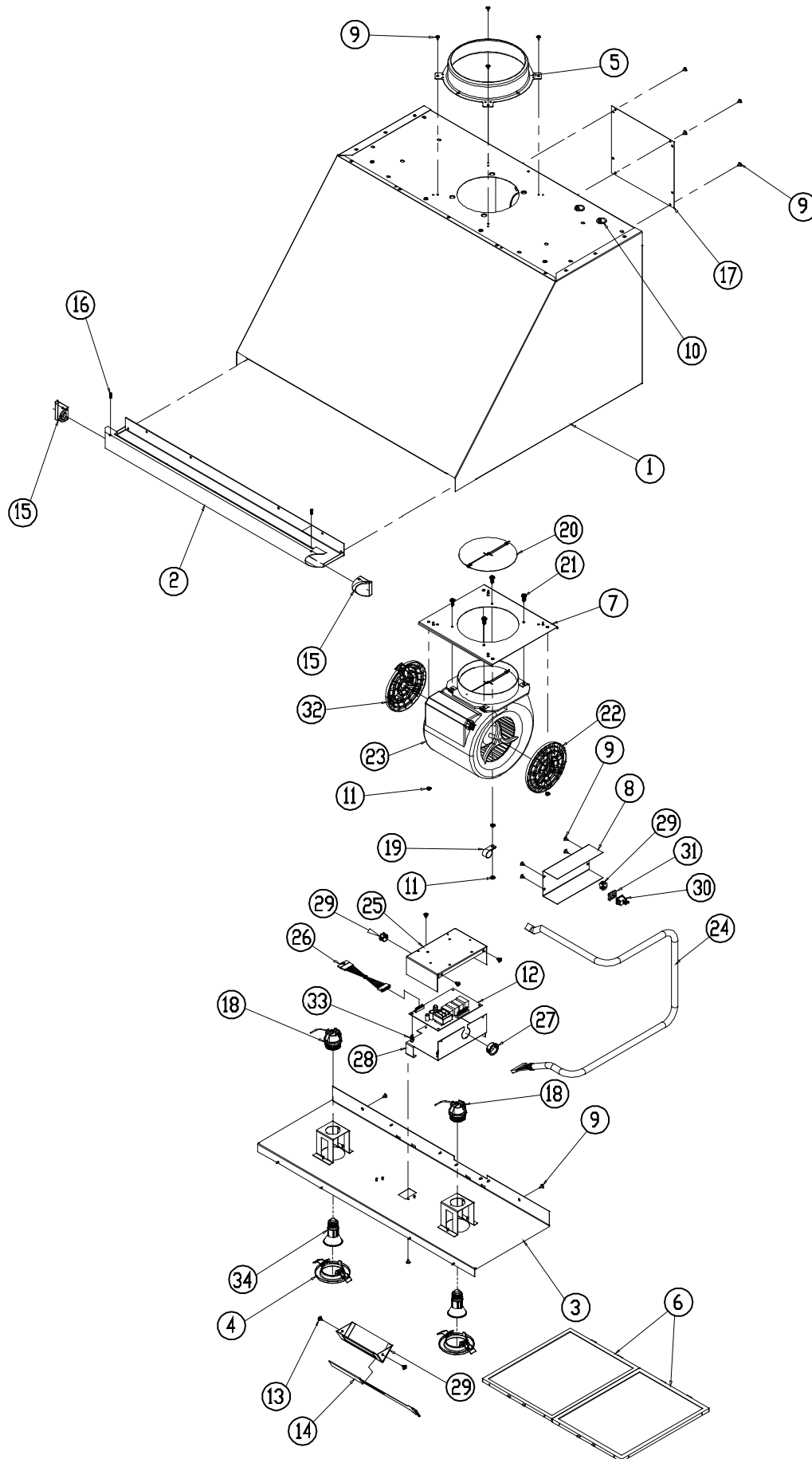
# EH 3012 Assembly



# EH 3012 Parts

Item	Part #	Description
1	700581-01	Asy, Panel Top/Rear w/ Canopy
2	101611-01	Bullnose
3	N/A	Asy, Liner
4	62352	Lamp Trim
5	101613	Damper Collar
6	101617	Filter
7	N/A	Blower Mtg. Bracket
8	N/A	Terminal Block Cover
9	83263	Screw, Phil, #8 x 3/8"
10	83056	Heyco Bushing
11	83308	Nut, Keps, #6-32
12	101618	Controller Board
13	83534	Screw, Wafer HD, #8 X 3/8"
14	101655	Membrane Switch Panel
15	100128CH	Chrome , End Cap
16	101505	Screw, 4-40 x 1/2", SS
17	N/A	Blower Cover
18	101624	Lamp Holder
19	83167	Cable Clamp
20	700642	Asy, Shutter
21	83026	Screw, Slot HWH, #10 x 3/4"
22	102508-01	Finger Guard, RH
23	101605	Blower, 600 CFM
24	101621	Wire Harness
25	N/A	Control Board Cover
26	102507	Membrane Wire Harness
27	102429-01	Snap Bushing
28	N/A	Plate, MTG Hood Controller
29	700586	Weldment, Hood Control Box
30	83061	Split Bushing, 5/8 Dia.
31	102887	Rocker Switch
32	103606	Cap, Rocker Switch
33	62350	Liner Trim
34	102508-02	Finger Guard, LH w/ Cable Exit
35	83538	PCB Support, Nylon
36	92348	Lamp, Halogen, 75w
-	700892-01	Kit, Hardware, Single Fan (Not Shown)

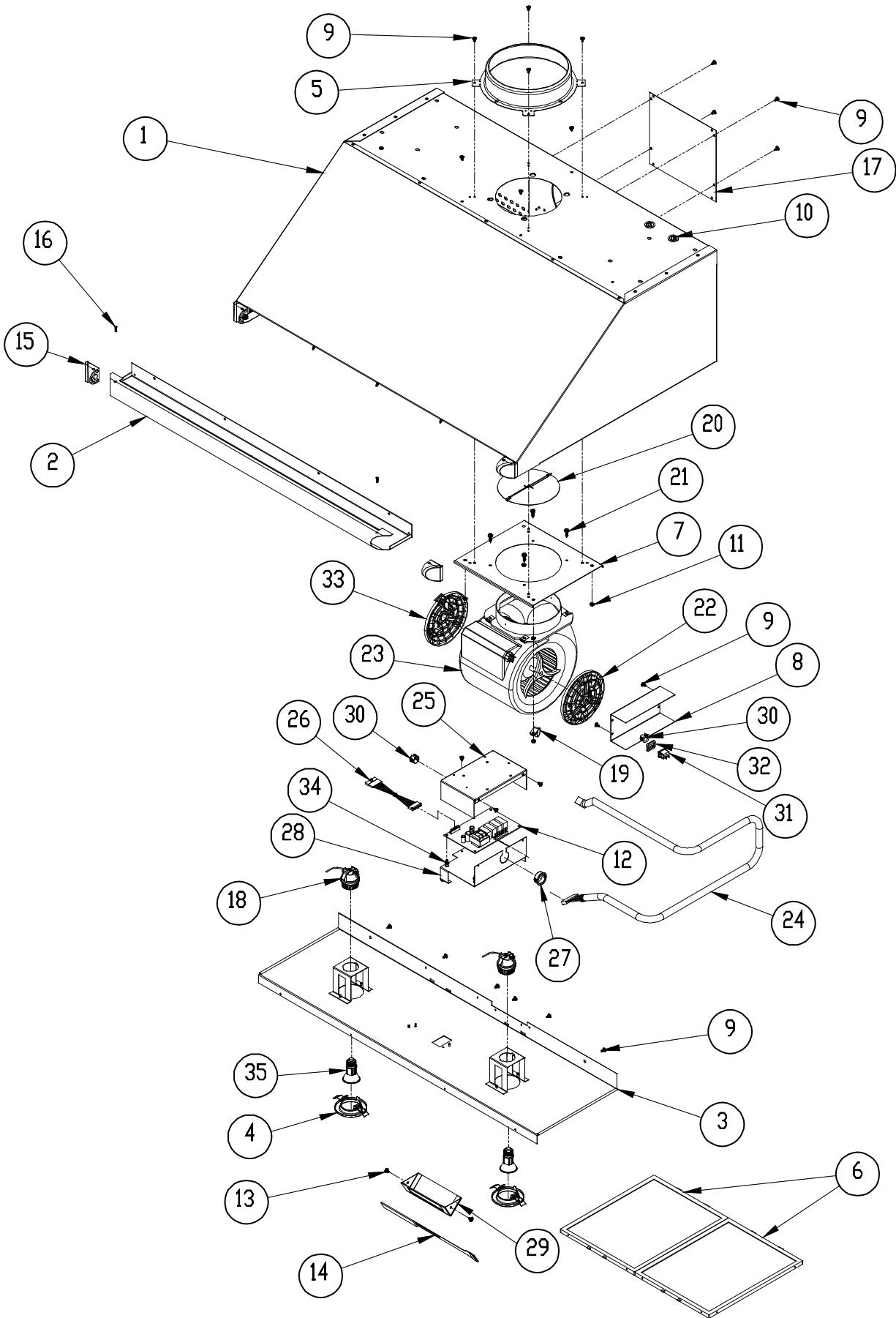
# EH 3018 Assembly



# EH 3018 Parts

Item	Part #	Description
1	700579-01	Asy, Panel Top/Rear w/ Canopy
2	101611-01	Bullnose
3	N/A	Liner Assembly
4	62352	Lamp Trim
5	101613	Damper Collar
6	101617	Filter, 9.5 x 12
7	N/A	Blower Mtg. Bracket
8	N/A	Terminal Block Cover
9	83263	Screw, Phil, #8 x 3/8"
10	83056	Heyco Bushing, SB-575-01
11	83308	Nut, Keps, #6-32
12	101618	Controller Board
13	83534	Screw, Wafer HD, #8 X 3/8"
14	101655	Membrane Switch Panel
15	100128CH	Chrome, End Cap
16	101505	Screw, 4-40 x 1/2", SS
17	N/A	Blower Cover
18	101624	Lamp Holder
19	83167	Cable Clamp
20	700642	Asy, Shutter
21	83026	Screw, Slot HWH, #10 x 3/4"
22	102508-01	Finger, RH
23	101605	Blower, 600 CFM
24	101621	Wire Harness
25	N/A	Cover, Control Board
26	102507	Membrane, Wire Harness
27	102429-01	Snap Bushing
28	N/A	Plate Mtg. Hood Controller
29	83061	Bushing, Split, 5/8
30	102887	Rocker Switch
31	103606	Cap, Rocker Switch
32	102508-02	Finger Guard, LH w/ Cable Exit
33	83538	PCB Support, Nylon
34	92348	Lamp, Halogen, 75w
-	700892-01	Kit, Hardware, Single Fan (Not Shown)

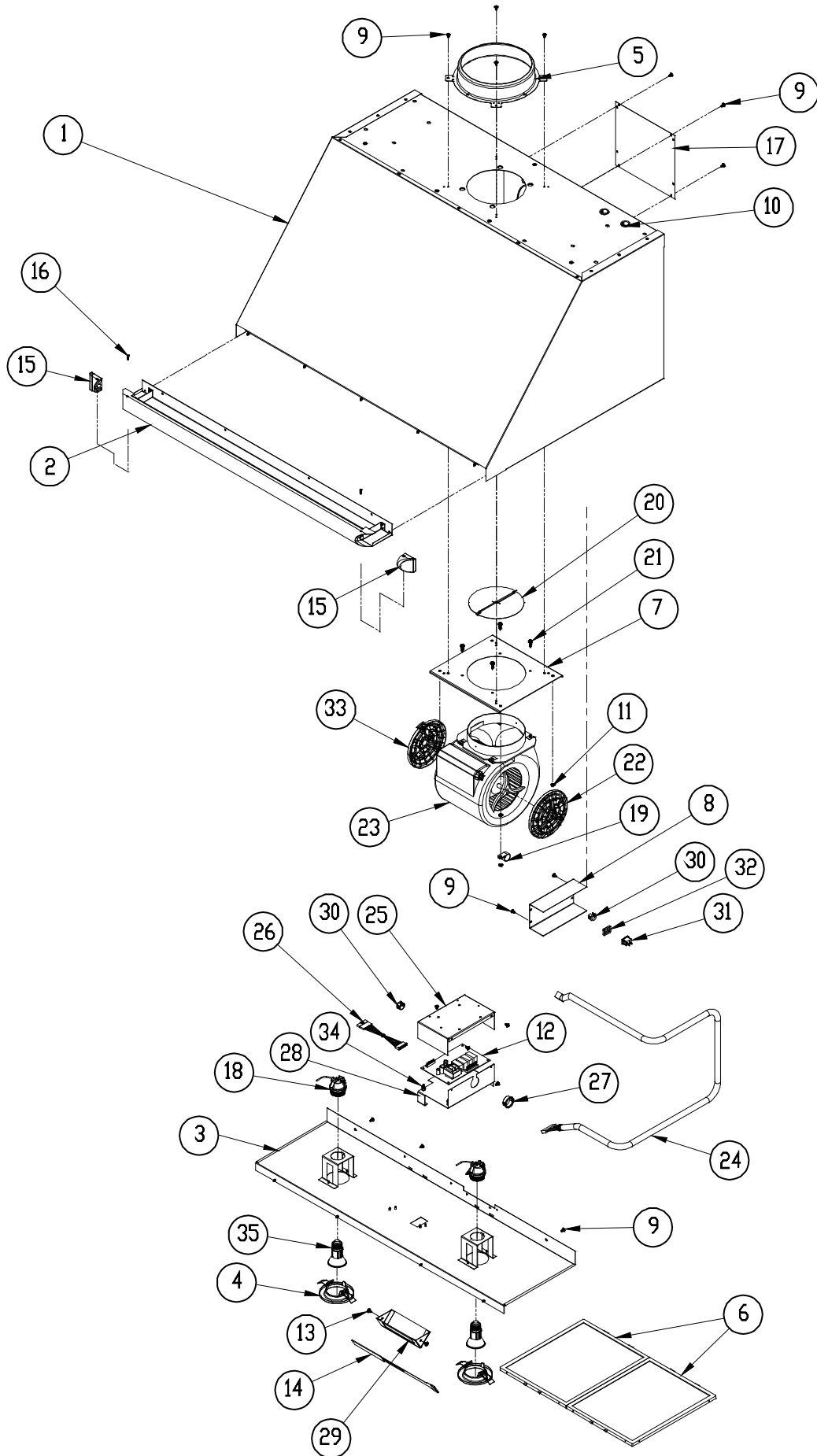
# EH 3612 Assembly



# EH 3612 Parts

Item	Part #	Description
1	700581-02	Asy, Panel Top/Rear w/ Canopy
2	101611-02	Bullnose
3	N/A	Asy, Liner
4	62352	Lamp Trim
5	101613	Damper Collar
6	101617	Filter, 9.5 x 12
7	N/A	Blower Mtg. Bracket
8	N/A	Terminal Block Cover
9	83263	Screw, Phil, #8 x 3/8"
10	83056	Heyco Bushing, SB-575-01
11	83308	Nut, Keps, #6-32
12	101618	Controller Board
13	83534	Screw, Wafer HD, #8 X 3/8"
14	101655	Membrane Switch Panel
15	100128CH	Chrome, End Cap
16	101505	Screw, 4-40 x 1/2", SS
17	N/A	Blower Cover
18	101624	Lamp Holder
19	83167	Cable Clamp
20	700642	Asy, Shutter
21	83026	Screw, Slot HWH, #10 x 3/4"
22	102508-01	Finger Guard, RH
23	101605	Blower, 600 CFM
24	101621	Wire Harness
25	N/A	Cover, Control Board
26	102507	Membrane, Wire Harness
27	102429-01	Snap Bushing
28	N/A	Plate, Mtg. Hood Controller
29	700586	Weldment, Control Box
30	83061	Split Bushing 5/8
31	102887	Rocker Switch
32	103606	Cap, Rocker Switch
33	102508-02	Finger Guard, LH w/ Cable Exit
34	83538	PCB Support, Nylon
35	92348	Lamp, Halogen, 75w
-	700892-01	Kit, Hardware, Single Fan (Not Shown)

# EH 3618 Assembly

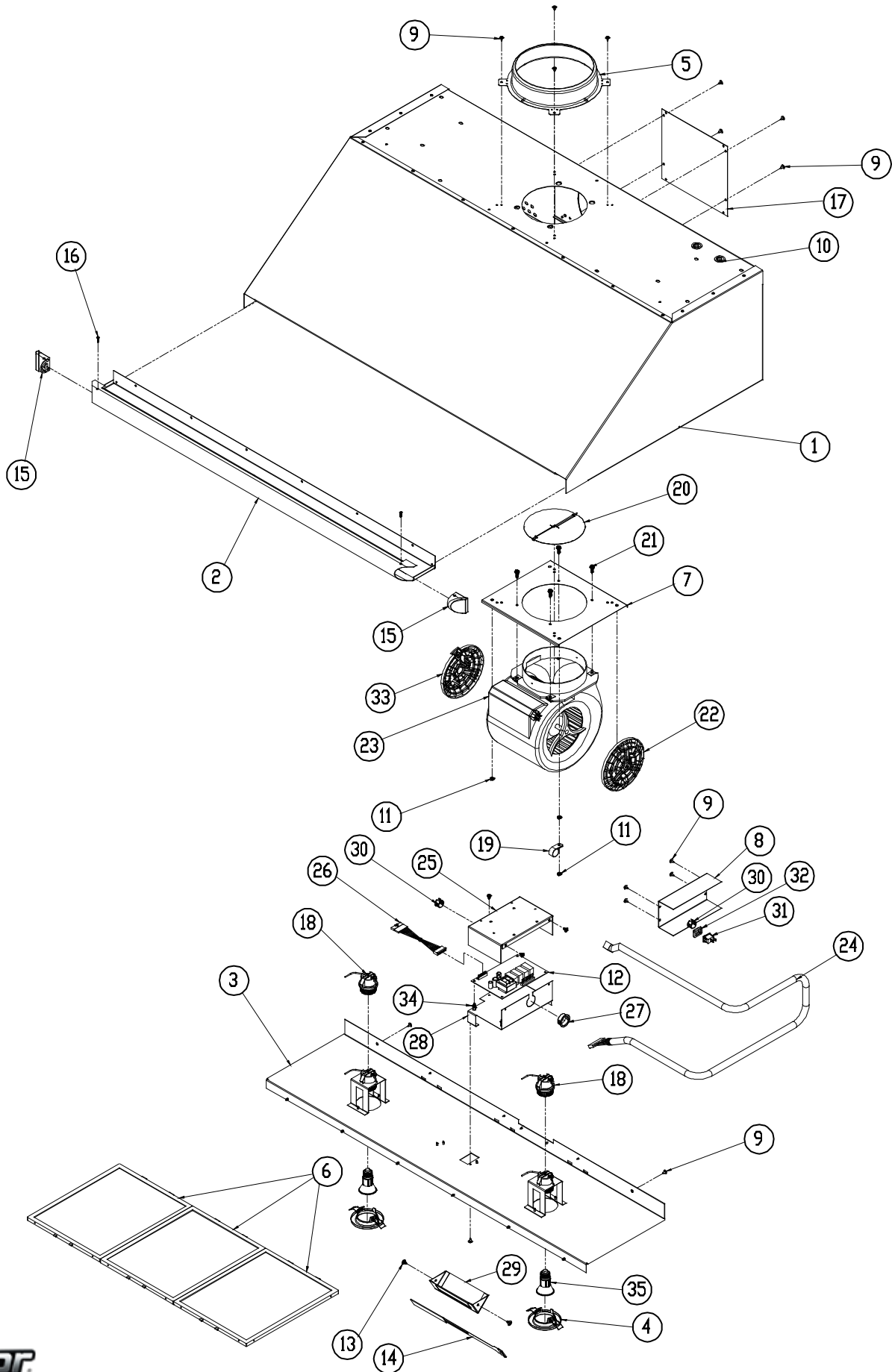




# EH 3618 Parts

Item	Part #	Description
1	700579-02	Asy, Panel Top/Rear w/ Canopy
2	101611-02	Asy, Bullnose
3	N/A	Asy, Liner
4	62352	Lamp Trim
5	101613	Damper Collar
6	101617	Filter, 9.5 x 12
7	N/A	Blower Mtg. Bracket
8	N/A	Terminal Block Cover
9	83263	Screw, Phil, #8 x 3/8"
10	83056	Heyco Bushing
11	83308	Nut, Keps, #6-32
12	101618	Controller Board
13	83534	Screw, Wafer HD, #8 X 3/8"
14	101655	Membrane Switch Panel
15	100128CH	Chrome, End Cap
16	101505	Screw, 4-40 x 1/2", SS
17	N/A	Blower Cover
18	101624	Lamp Holder
19	83167	Cable Clamp
20	700642	Asy, Shutter
21	83026	Screw, Slot HWH, #10 x 3/4"
22	102508-01	Finger Guard, RH
23	101605	Blower, 600 CFM
24	101621	Wire Harness
25	N/A	Control Board Cover
26	102507	Membrane Wire Harness
27	102429-01	Snap Bushing
28	N/A	Plate, Mtg. Hood Controller
29	700586	Weldment, Control Box
30	83061	Split Bushing
31	102887	Rocker Switch
32	103606	Cap, Rocker Switch
33	102508-02	Finger Guard, LH w/ Cable Exit
34	83538	PCB Support, Nylon
35	92348	Lamp, Halogen, 75w
-	700892-01	Kit, Hardware, Single Fan (Not Shown)

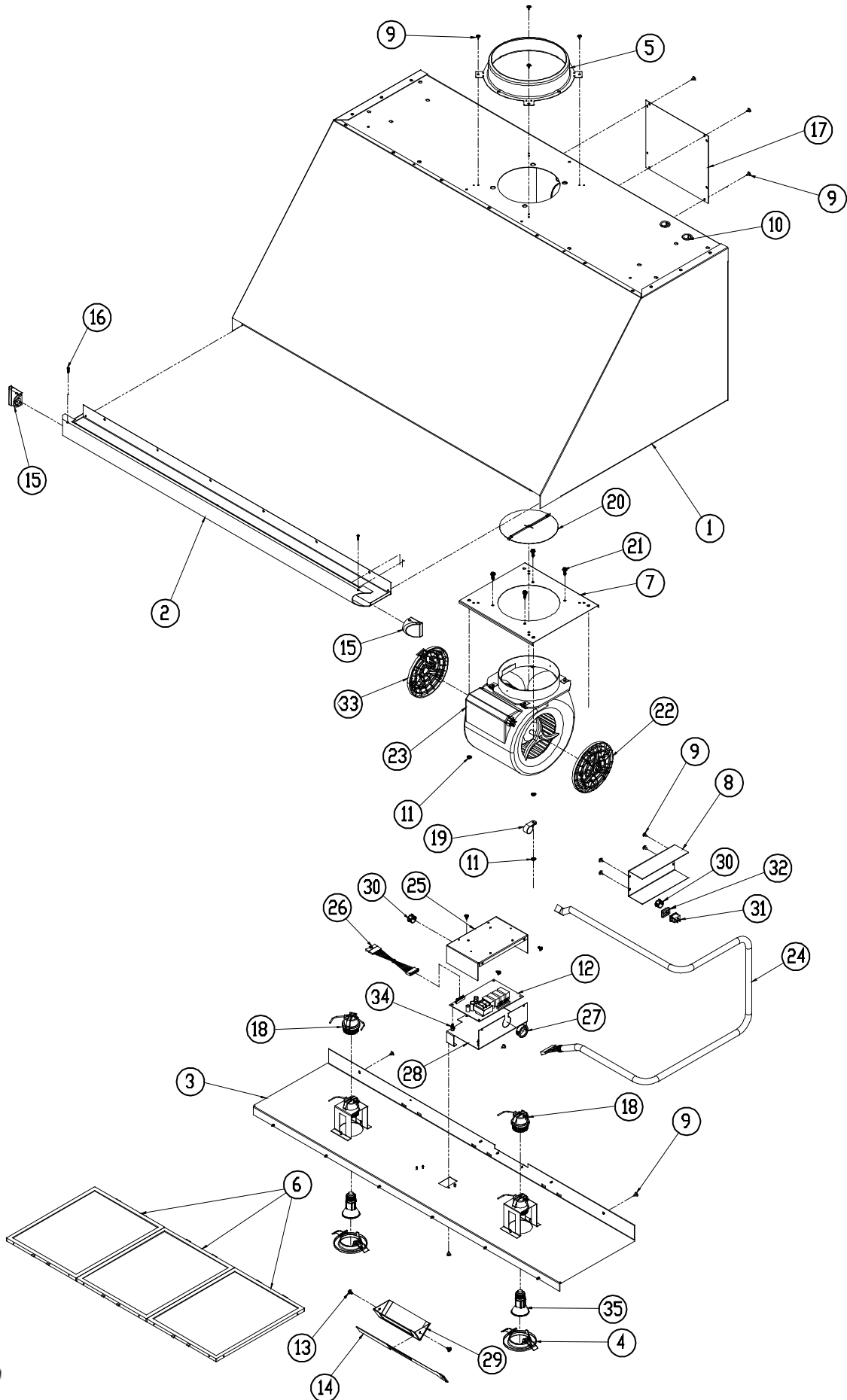
# EH 4212 Assembly



# EH 4212 Parts

Item	Part #	Description
1	700581-03	Asy, Panel Top/Rear w/ Canopy
2	101638-01	Bullnose
3	N/A	Asy, Liner
4	62352	Lamp Trim
5	101613	Damper Collar
6	101617	Filter
7	N/A	Blower Mtg. Bracket
8	N/A	Terminal Block Cover
9	83263	Screw, Phil, #8 x 3/8"
10	83056	Heyco Bushing
11	83308	Nut, Keps, #6-32
12	101618	Controller Board
13	83534	Screw, Wafer HD, #8 X 3/8"
14	101655	Membrane Switch Panel
15	100128CH	Chrome, End Cap
16	101505	Screw, 4-40 x 1/2", SS
17	N/A	Blower Cover
18	101624	Lamp Holder
19	83167	Cable Clamp
20	700642	Asy, Shutter
21	83026	Screw, Slot HWH, #10 x 3/4"
22	102508-01	Finger Guard, RH
23	101605	Blower, 600 CFM
24	101621	Wire Harness
25	N/A	Control Board Cover
26	102507	Membrane Wire Harness
27	102429-01	Snap Bushing
28	N/A	Plate, Mtg. Hood Controller
29	700586	Weldment, Control Box
30	83061	Split Bushing
31	102887	Rocker Switch
32	103606	Cap, Rocker Switch
33	102508-02	Finger Guard, LH w/ Cable Exit
34	83538	PCB Support, Nylon
35	92348	Lamp, Halogen, 75w
-	700892-01	Kit, Hardware, Single Fan (Not Shown)

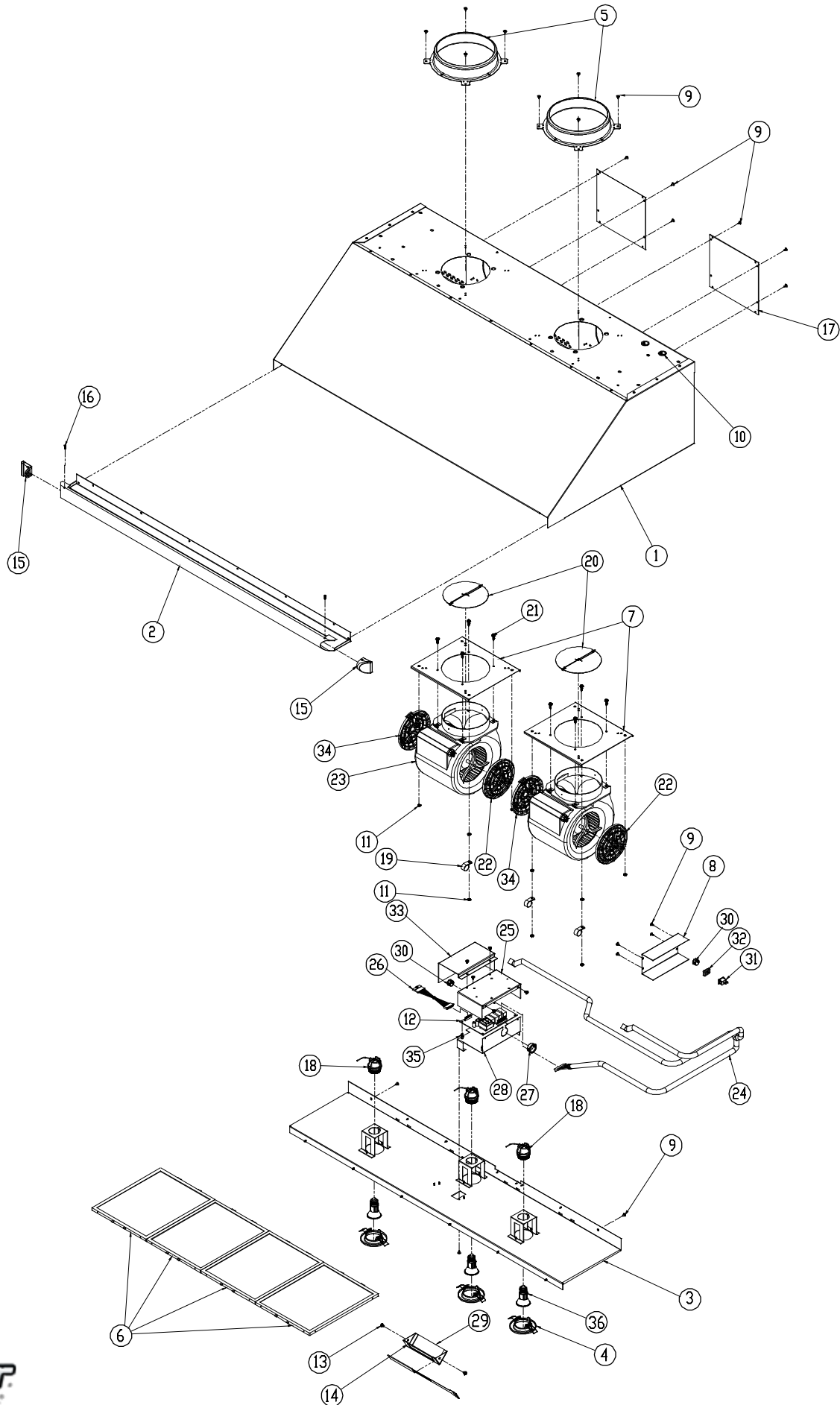
# EH 4218 Assembly



# EH 4218 Parts

Item	Part #	Description
1	700579-03	Asy, Panel Top/Rear w/ Canopy
2	101638-01	Bullnose
3	N/A	Asy, Liner
4	62352	Lamp Trim
5	101613	Damper Collar
6	101617	Filter
7	N/A	Blower Mtg. Bracket
8	N/A	Terminal Block Cover
9	83263	Screw, Phil, #8 x 3/8"
10	83056	Heyco Bushing
11	83308	Nut, Keps, #6-32
12	101618	Controller Board
13	83534	Screw, Wafer HD, #8 X 3/8"
14	101655	Membrane Switch Panel
15	100128CH	Chrome, End Cap
16	101505	Screw, 4-40 x 1/2", SS
17	N/A	Blower Cover
18	101624	Lamp Holder
19	83167	Cable Clamp
20	700642	Asy, Shutter
21	83026	Screw, Slot HWH, #10 x 3/4"
22	102508-01	Finger Guard, RH
23	101605	Blower, 600 CFM
24	101621	Wire Harness
25	N/A	Control Board Cover
26	102507	Membrane Wire Harness
27	102429-01	Snap Bushing
28	N/A	Plate, Mtg. Hood Controller
29	700586	Weldment, Control Box
30	83061	Split Bushing
31	102887	Rocker Switch
32	103606	Cap, Rocker Switch
33	102508-02	Finger Guard, LH w/ Cable Exit
34	83538	PCB Support, Nylon
35	92348	Lamp, Halogen, 75w
-	700892-01	Kit, Hardware, Single Fan (Not Shown)

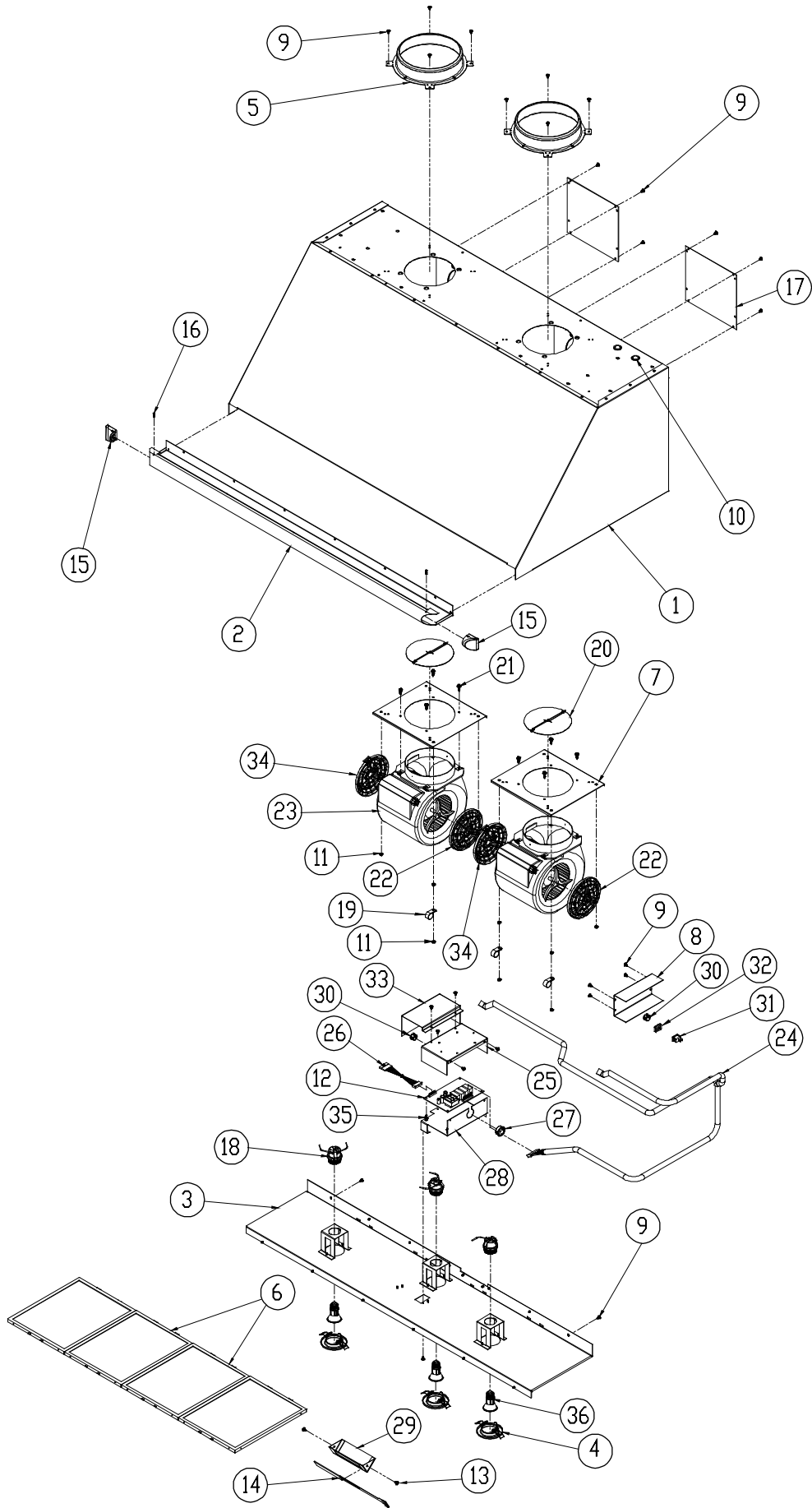
# EH 4812 Assembly



# EH 4812 Parts

Item	Part #	Description
1	700582	Asy, Panel Top/Rear w/ Canopy
2	101638-02	Bullnose
3	N/A	Asy, Liner
4	62352	Lamp Trim
5	101613	Damper Collar
6	101617	Filter
7	N/A	Blower Mtg. Bracket
8	N/A	Terminal Block Cover
9	83263	Screw, Phil, #8 x 3/8"
10	83056	Heyco Bushing
11	83308	Nut, Keps, #6-32
12	101618	Controller Board
13	83534	Screw, Wafer HD, #8 X 3/8"
14	101655	Membrane Switch Panel
15	100128CH	Chrome, End Cap
16	101505	Screw, 4-40 x 1/2", SS
17	N/A	Blower Cover
18	101624	Lamp Holder
19	83167	Cable Clamp
20	700642	Asy, Shutter
21	83026	Screw, Slot HWH, #10 x 3/4"
22	102508-01	Finger Guard, RH
23	101605	Blower, 600 CFM
24	101622	Wire Harness
25	N/A	Control Board Cover
26	102507	Membrane Wire Harness
27	102429-01	Snap Bushing
28	N/A	Plate, Mtg. Hood Controller
29	700586	Weldment, Control Box
30	83061	Split Bushing
31	102887	Rocker Switch
32	103606	Cap, Rocker Switch
33	N/A	Cover, Light Housing
34	102508-02	Finger Guard, LH w/ Cable Exit
35	83538	PCB Support, Nylon
36	92348	Lamp, Halogen, 75w
-	700892-02	Kit, Hardware, Double Fan (Not Shown)

# EH 4818 Assembly

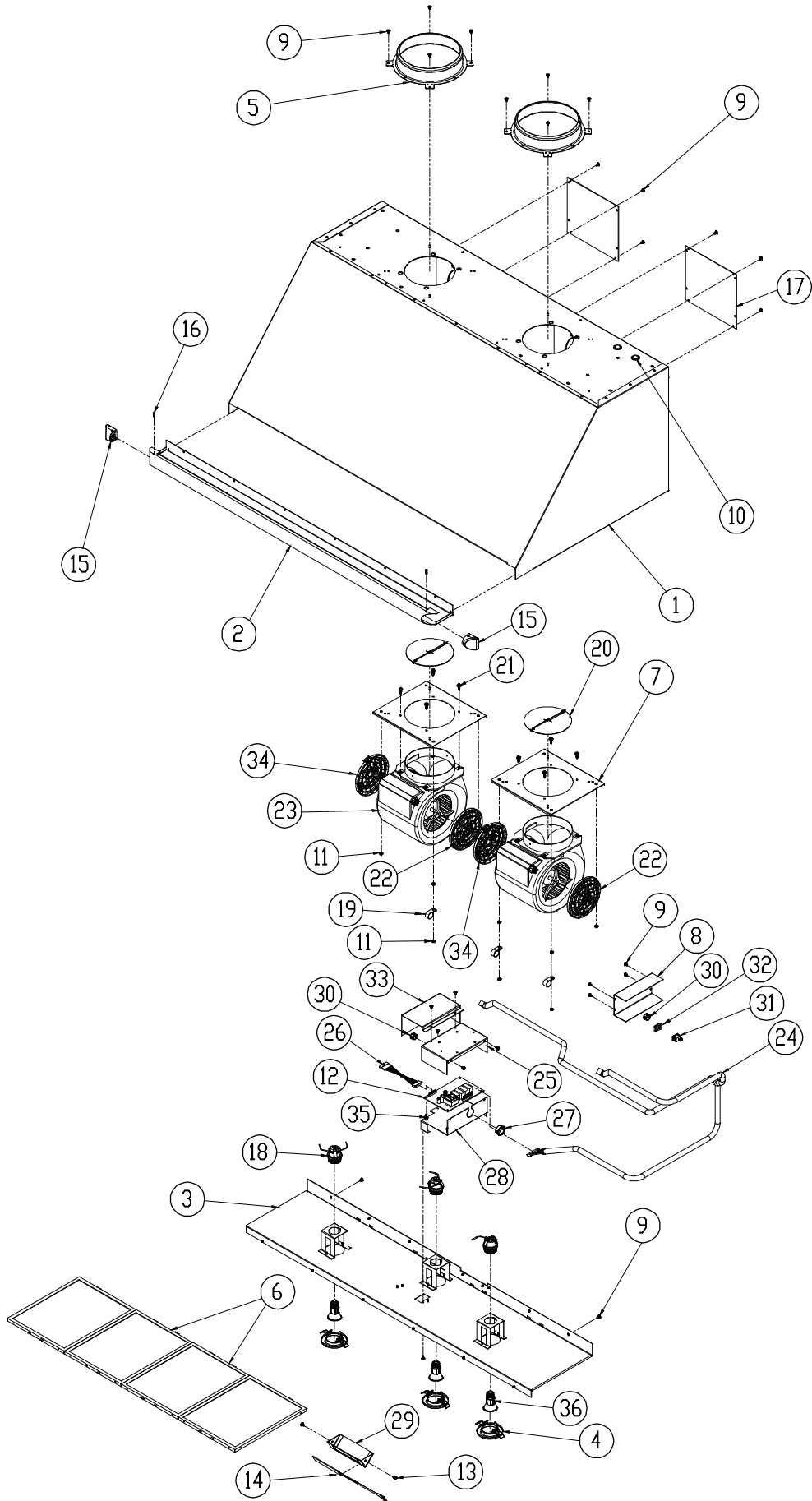




# EH 4818 Parts

Item	Part #	Description
1	700580-01	Asy, Panel Top/Rear w/ Canopy
2	101638-02	Bullnose
3	N/A	Asy, Liner
4	62352	Lamp Trim
5	101613	Damper Collar
6	101617	Filter
7	N/A	Blower Mtg. Bracket
8	N/A	Terminal Block Cover
9	83263	Screw, Phil, #8 x 3/8"
10	83056	Heyco Bushing
11	83308	Nut, Keps, #6-32
12	101618	Controller Board
13	83534	Screw, Wafer HD, #8 X 3/8"
14	101655	Membrane Switch Panel
15	100128CH	Chrome, End Cap
16	101505	Screw, 4-40 x 1/2", SS
17	N/A	Blower Cover
18	101624	Lamp Holder
19	83167	Cable Clamp
20	700642	Asy, Shutter
21	83026	Screw, Slot HWH, #10 x 3/4"
22	102508-01	Finger Guard, RH
23	101605	Blower, 600 CFM
24	101622	Wire Harness
25	N/A	Control Board Cover
26	102507	Membrane Wire Harness
27	102429-01	Snap Bushing
28	N/A	Plate, Mtg. Hood Controller
29	700586	Weldment, Control Box
30	83061	Split Bushing
31	102887	Rocker Switch
32	103606	Cap, Rocker Switch
33	102513	Cover, Light Housing
34	102508-02	Finger Guard, LH w/ Cable Exit
35	83538	PCB Support, Nylon
36	92348	Lamp, Halogen, 75w
-	700892-02	Kit, Hardware, Double Fan (Not Shown)

# EH 5418 Assembly



# EH 5418 Parts

Item	Part #	Description
1	700580-02	Asy, Panel Top/Rear w/ Canopy
2	101638-03	Bullnose
3	N/A	Asy, Liner
4	62352	Lamp Trim
5	101613	Damper Collar
6	101617	Filter
7	N/A	Blower Mtg. Bracket
8	N/A	Terminal Block Cover
9	83263	Screw, Phil, #8 x 3/8"
10	83056	Heyco Bushing
11	83308	Nut, Keps, #6-32
12	101618	Controller Board
13	83534	Screw, Wafer HD, #8 X 3/8"
14	101655	Membrane Switch Panel
15	100128CH	Chrome, End Cap
16	101505	Screw, 4-40 x 1/2", SS
17	N/A	Blower Cover
18	101624	Lamp Holder
19	83167	Cable Clamp
20	700642	Asy, Shutter
21	83026	Screw, Slot HWH, #10 x 3/4"
22	102508-01	Finger Guard, RH
23	101605	Blower, 600 CFM
24	101622	Wire Harness
25	N/A	Control Board Cover
26	102507	Membrane Wire Harness
27	102429-01	Snap Bushing
28	N/A	Plate, Mtg. Hood Controller
29	700586	Weldment, Control Box
30	83061	Split Bushing
31	102887	Rocker Switch
32	103606	Cap, Rocker Switch
33	102513	Cover, Light Housing
34	102508	Finger Guard, LH w/ Cable Exit
35	83538	PCB Support, Nylon
36	92348	Lamp, Halogen, 75w
-	700892-02	Kit, Hardware, Double Fan (Not Shown)