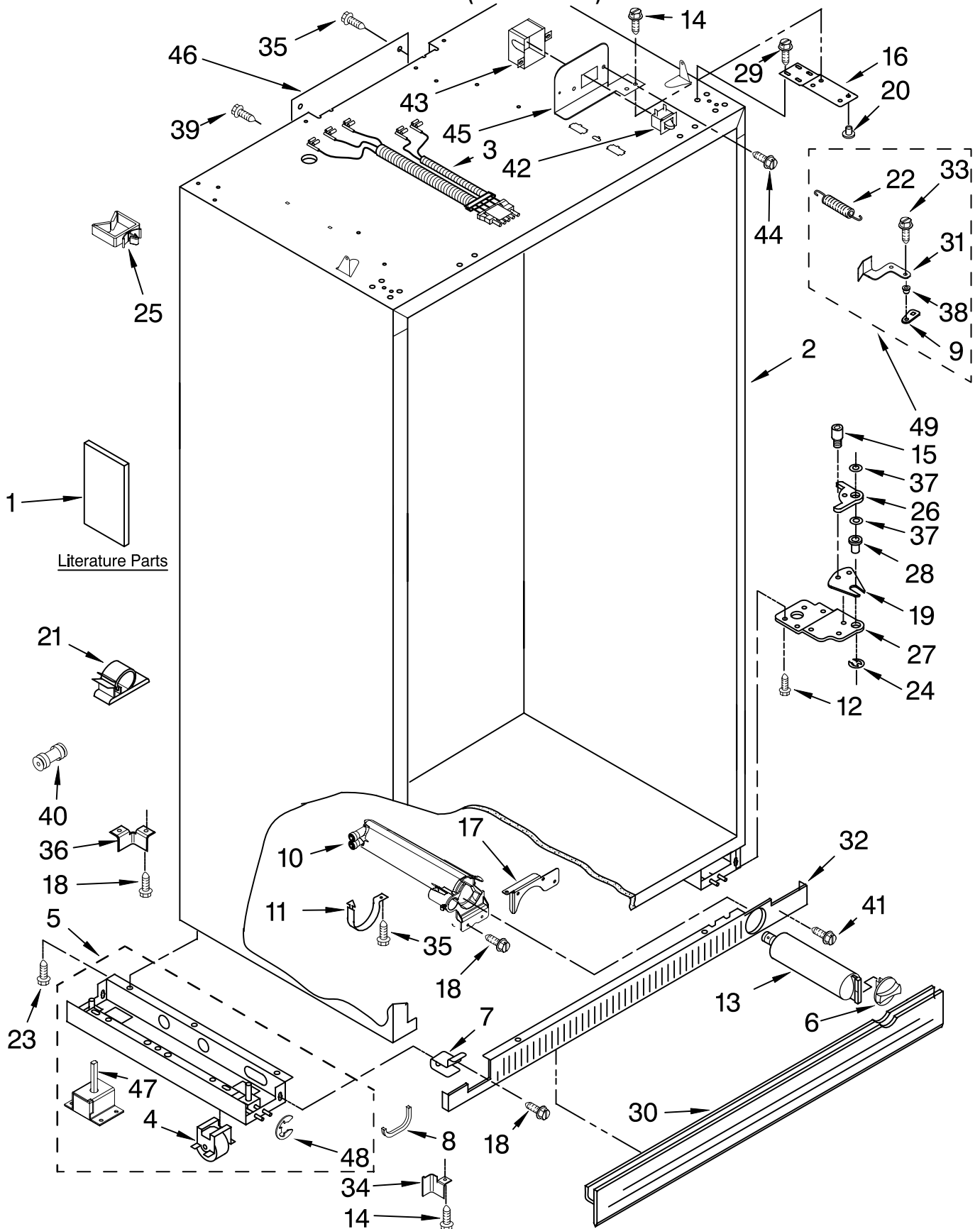


CABINET PARTS

For Model: EF42DBSS03

(Stainless Steel)

42" BUILT IN
REFRIGERATOR



FOR ORDERING INFORMATION REFER TO PARTS PRICE LIST

CABINET PARTS

For Model: EF42DBSS03

(Stainless Steel)

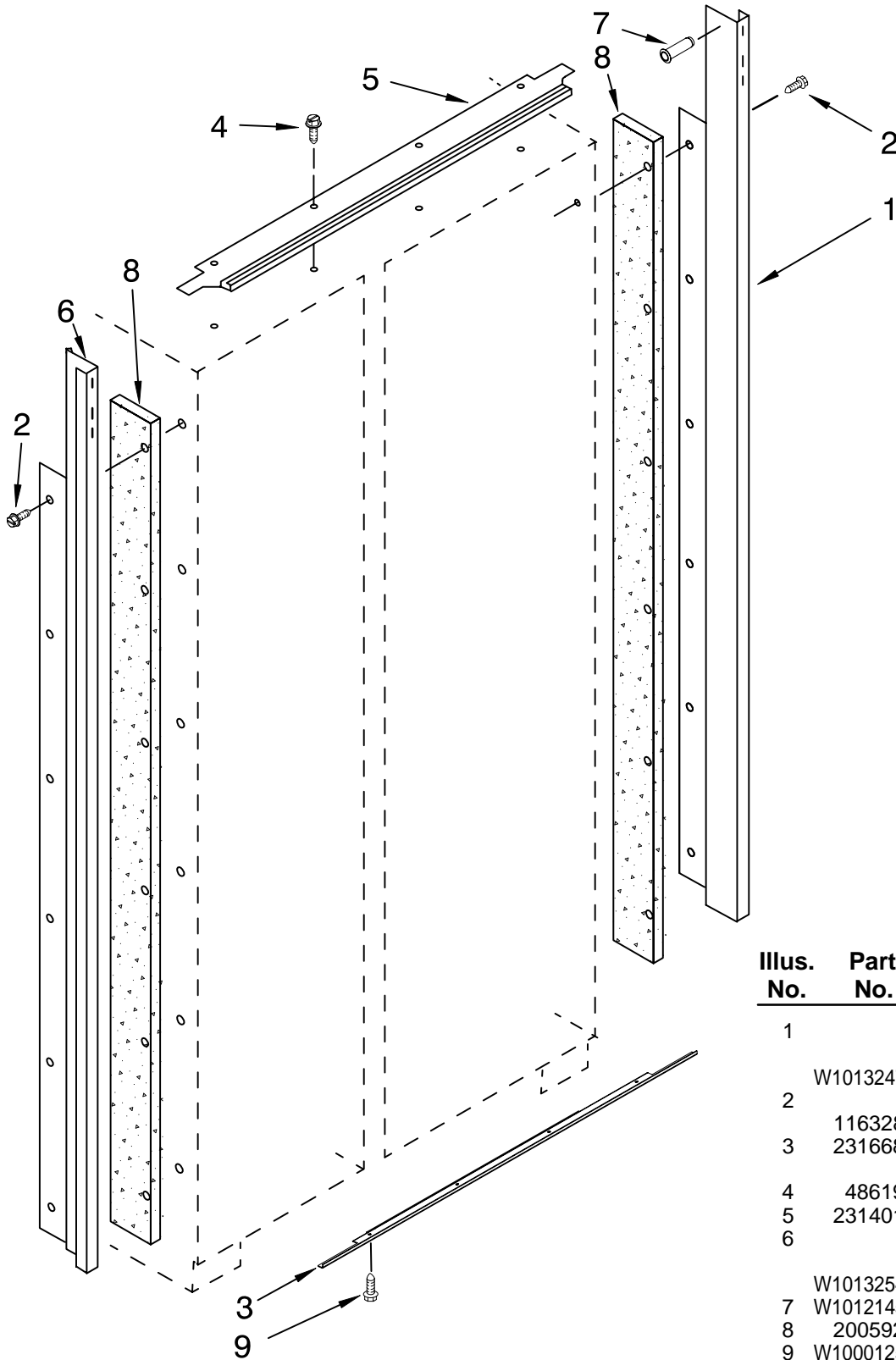
| Illus. No. | Part No. | DESCRIPTION | Illus. No. | Part No. | DESCRIPTION | Illus. No. | Part No. | DESCRIPTION |
|------------|-----------|---|------------|-----------|------------------------------------|------------|-----------|-------------------------------|
| 1 | | Literature Parts | 10 | 2209022 | Housing, Water Filter | 31 | | Extension Arm, Door Closer |
| | W10303784 | Use & Care Guide | | | | | 2266882 | (RH) |
| | W10205631 | Energy Guide | 11 | 2209090 | Clamp, Filter Housing | | 2266881 | (LH) |
| | W10180103 | Service & Wiring Sheet | 12 | 3400525 | Screw | 32 | | Grille Bottom, Front |
| | 2306424 | Icemaker and Ingredient Care Center Service Sheet | 13 | W10168990 | Filter, Water | | 2209428B | Black |
| | W10180893 | Main Control Service Sheet | 14 | 489399 | Screw | 33 | W10004850 | Screw |
| | W10379135 | Installation Instructions | 15 | W10406423 | Screw, Door Stop | 34 | | Bracket, Support Base (Front) |
| 2 | | Cabinet (Not A Serviceable Part) | 16 | 2257644 | Hinge (Top) | | 2006616 | (LH) |
| 3 | W10167456 | Wire Assembly | 17 | W10348781 | Bracket, Mtg (Water Filter) | | 2006556 | (RH) |
| 4 | W10138054 | RC/FC Light Switch | 18 | W10001250 | Screw | 35 | 1157158 | Screw |
| 5 | | Roller, Front & Rear | 19 | W10451421 | Lock, Adjustable Bushing | 36 | 2006617 | Bracket, Support Base (Rear) |
| | | Support, Leveler Assembly | 20 | 2300082 | Bushing | 37 | 2006346 | Washer |
| | W10138423 | Refrigerator Side | 21 | 2004514 | Clip, Conduit | 38 | 2316859 | Bushing, Extension Arm |
| | W10279275 | Freezer Side | 22 | 2221242 | Spring, Door Closure | 39 | 1163283 | Screw |
| 6 | 2186494B | Cap, Water Filter | 23 | 486194 | Screw | 40 | W10271540 | Connector, Water Tube |
| 7 | 2325157 | Bracket, Grill Mounting | 24 | 2005008 | Retaining Ring, Adjustable Bushing | 41 | 8281163 | Screw |
| 8 | 2307584 | Grommet, Crossover Tube | 25 | W10129069 | Wire Clip | 42 | | Switch, Rocker Arm |
| 9 | 2005783 | Cam, Door Closer | 26 | W10406421 | Gap, Cover Assembly (Bottom) | | 1118894 | Refrigerator Door Side |
| | | | 27 | W10424756 | Hinge (Bottom) Freezer Side | | 1115373 | Freezer Door Side |
| | | | | W10424754 | Refrigerator Side | 43 | 2215938 | Cover, Switch |
| | | | 28 | 2302876 | Bushing, Adjustable | 44 | 487415 | Screw |
| | | | 29 | 8533913 | Screw 1/4-20 x 5/8 | 45 | | Bracket, Switch |
| | | | 30 | | Skirt-Grille, Bottom | | 2221097 | (RH) |
| | | | | 2209025B | Black | | 2221096 | (LH) |
| | | | | | | 46 | 2215612 | Cover, Rear |
| | | | | | | 47 | 2005032 | Leveler Assy |
| | | | | | | 48 | 2006841 | Ring Retainer |
| | | | | | | 49 | 2307857 | Cam Assembly |

FOR ORDERING INFORMATION REFER TO PARTS PRICE LIST

CABINET TRIM PARTS

For Model: EF42DBSS03

(Stainless Steel)



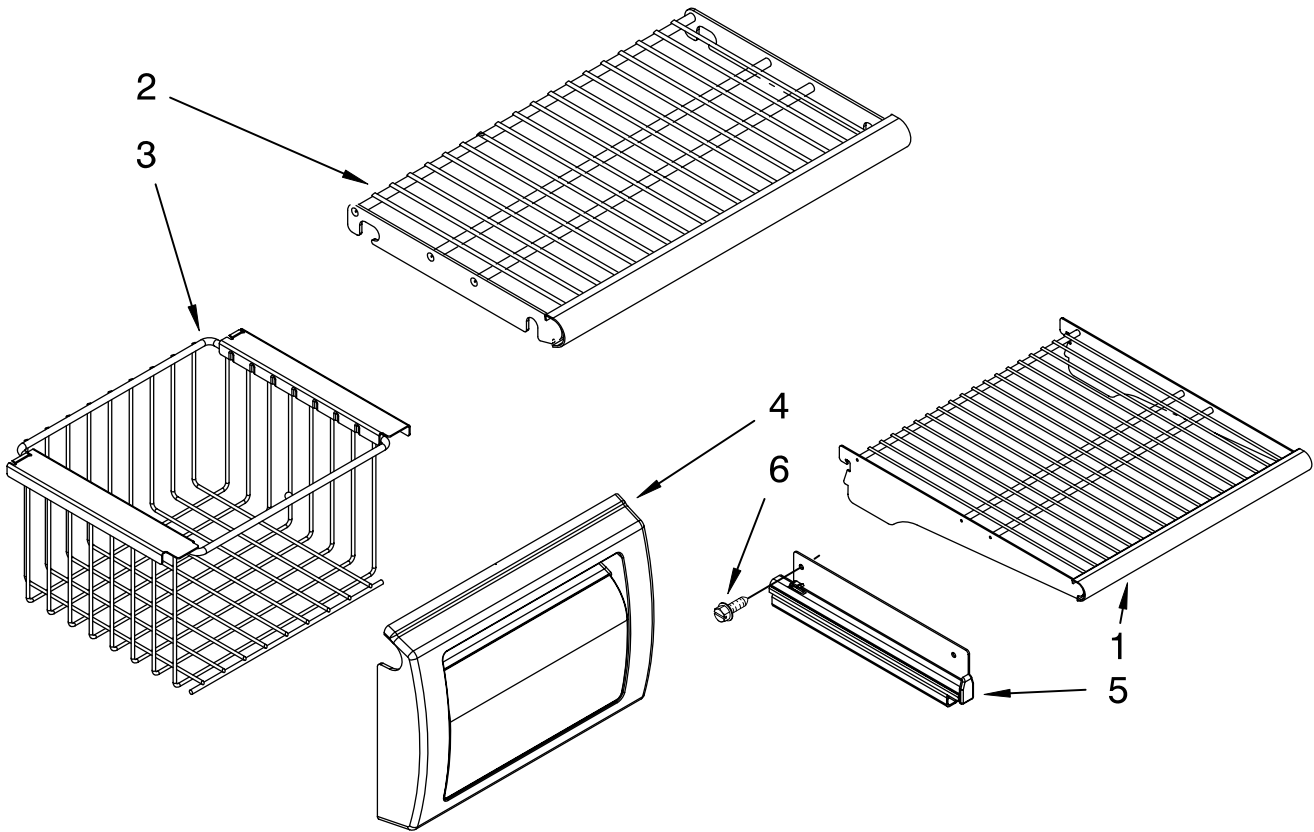
| Illus. No. | Part No. | DESCRIPTION |
|------------|-----------|----------------------------|
| 1 | | Cabinet, Trim (Right Side) |
| | W10132472 | Stainless Steel |
| 2 | | Screw |
| | 1163283 | Stainless Steel |
| 3 | 2316687 | Cabinet, Trim (Bottom) |
| 4 | 486194 | Screw |
| 5 | 2314017 | Cabinet, Trim Top |
| 6 | | Cabinet Trim (Left Side) |
| | W10132541 | Stainless Steel |
| 7 | W10121451 | Nutsert |
| 8 | 2005925 | Seal-Trim, Side |
| 9 | W10001250 | Screw |

FOR ORDERING INFORMATION REFER TO PARTS PRICE LIST

FREEZER SHELF PARTS

For Model: EF42DBSS03

(Stainless Steel)



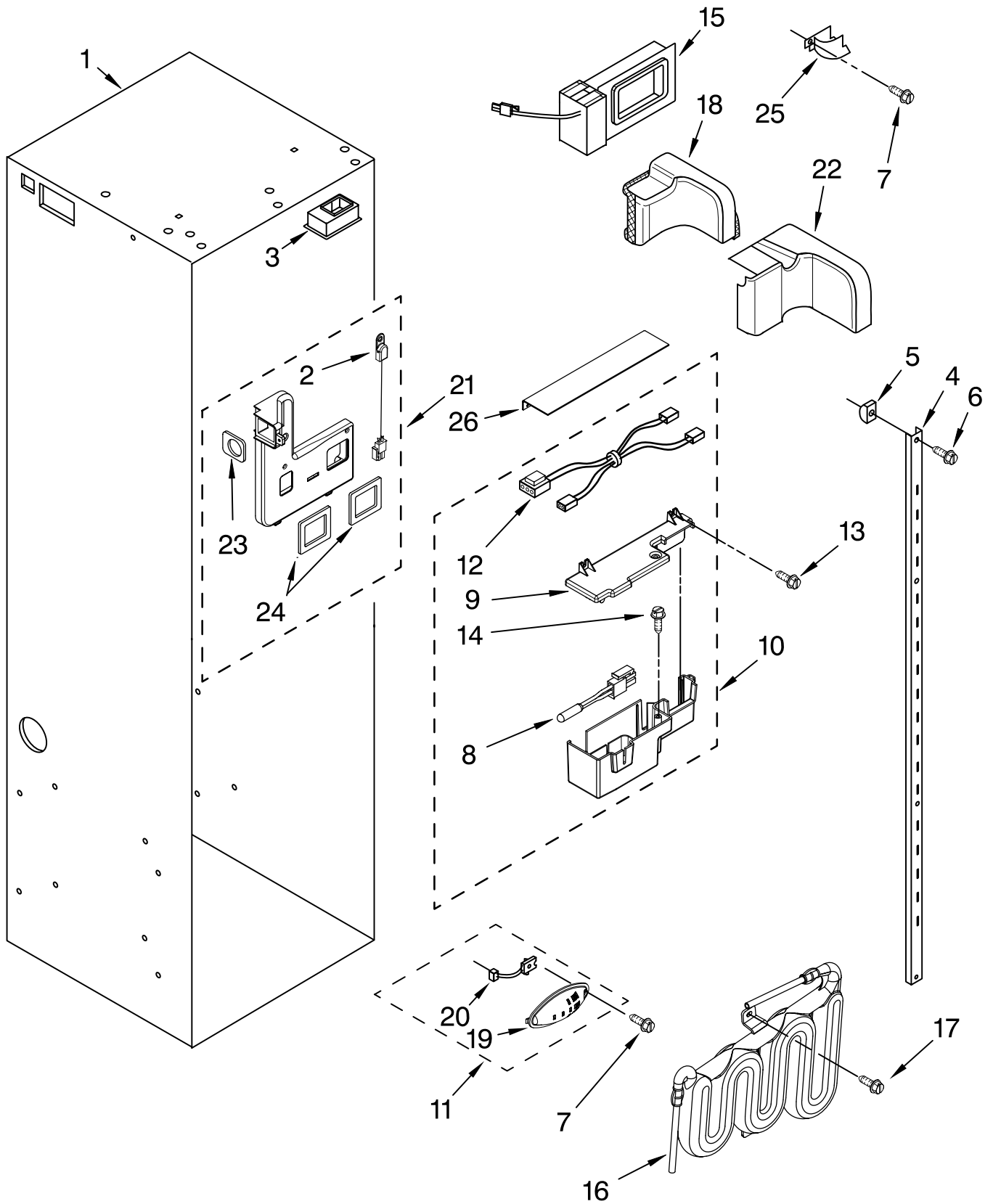
| Illus. No. | Part No. | DESCRIPTION |
|------------|------------------------------|---------------|
| 1 | W10175905 | Wire, Shelf |
| 2 | 2302883 | Shelf, Fixed |
| 3 | 2259082 | Basket |
| 4 | 2256270 | Front, Basket |
| 5 | 2259317 (RH) 2259318 (LH) | Slide, Basket |
| 6 | 8533928 | Screw |

FOR ORDERING INFORMATION REFER TO PARTS PRICE LIST

REFRIGERATOR LINER PARTS

For Model: EF42DBSS03

(Stainless Steel)



FOR ORDERING INFORMATION REFER TO PARTS PRICE LIST

REFRIGERATOR LINER PARTS

For Model: EF42DBSS03

(Stainless Steel)

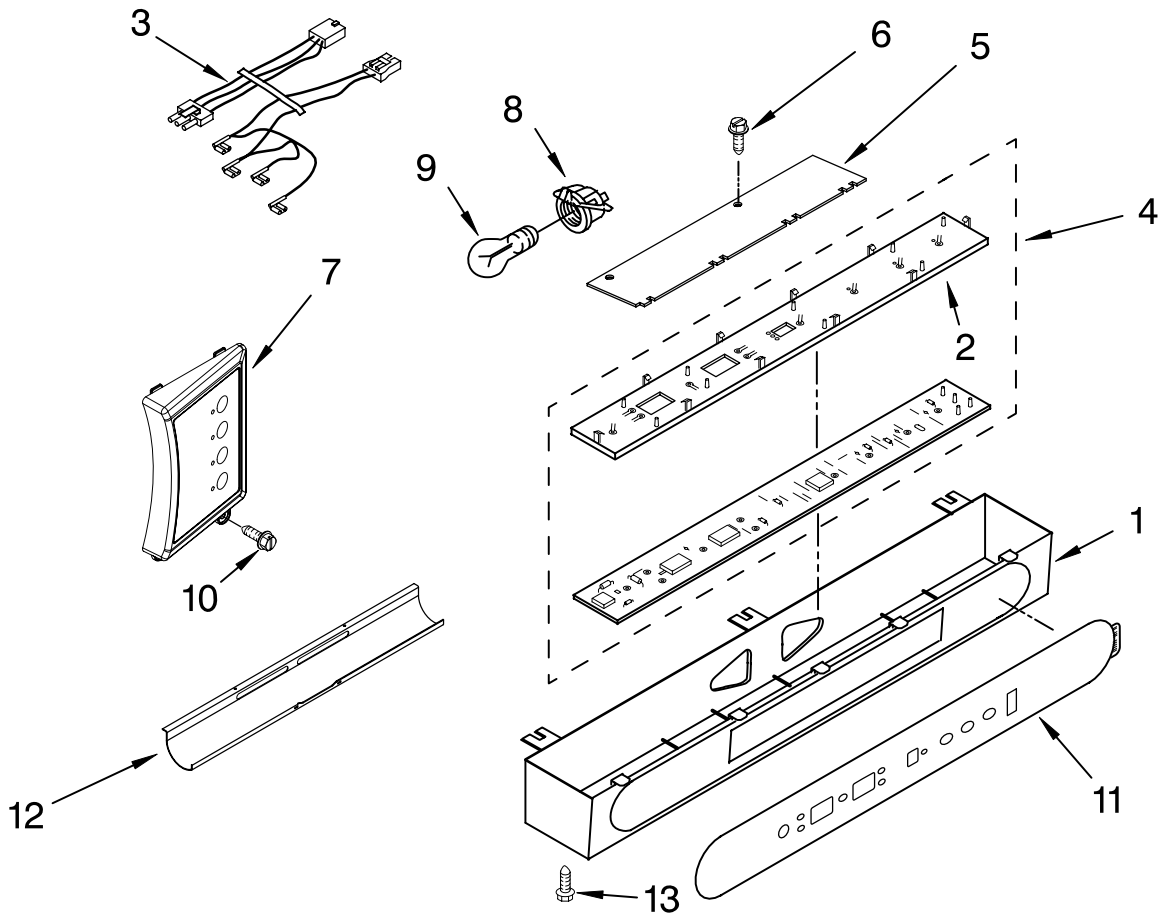
| Illus. No. | Part No. | DESCRIPTION |
|-----------------------|---------------------|-----------------------------------|
| 1 | | Liner (Not A Serviceable Part) |
| 2 | 2306010 | Thermistor |
| 3 | 2208970 | Air Duct |
| 4 | 2259077 | Ladder, Shelf |
| 5 | 520965 | Screw Support, Ladder |
| 6 | 2006475 | Screw |
| 7 | 487539 | Screw |
| 8 | 2302937 | Thermistor |
| 9 | 2302986 | Lid, Meat Pan Baffle |
| 10 | W10169528 | Baffle Control Assembly |
| 11 | 2317844 | Thermistor Assy |
| 12 | 2310205 | Jumper, Air Baffle |
| 13 | 487539 | Screw |
| 14 | 486194 | Screw |
| 15 | 2221296 | Air Baffle Assembly |
| 16 | 2327509 | Water Reservoir |
| 17 | W10141518 | Screw |
| 18 | 2309222 | Diffuser Assembly |
| 19 | 2317105 | Cover, Thermistor |
| 20 | 2188820 | Thermistor |
| 21 | 2302992 | Spacer, Air- Baffle |
| 22 | 2309087 | Cover, Diffuser |
| 23 | 2259412 | Seal, Air Duct (Round Hole) |
| 24 | 2259398 | Seal, Air Duct (Square Hole) |
| 25 | 2003577 | Guard, Return Air |
| 26 | W10159487 | Diverter, Crisper Cover |

FOR ORDERING INFORMATION REFER TO PARTS PRICE LIST

CONTROL PANEL PARTS

For Model: EF42DBSS03

(Stainless Steel)



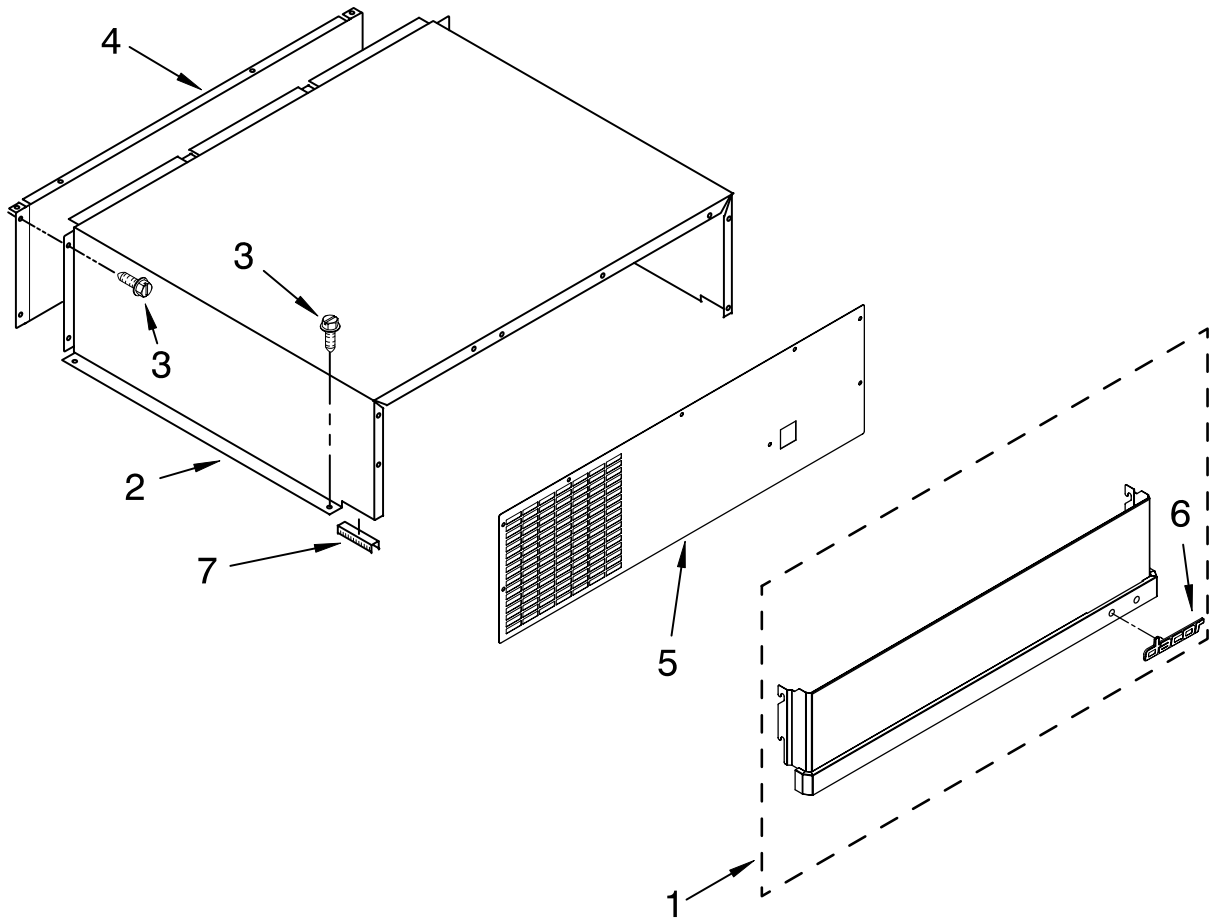
| Illus. No. | Part No. | DESCRIPTION |
|------------|-----------|---------------------------------|
| 1 | 2302772 | Control Box |
| 2 | 2215670 | Insert, Control Box |
| 3 | 2310197 | Wire, Jumper |
| 4 | 106428 | Circuit Board, Housing Control |
| 5 | 2221121 | Support, Control Box |
| 6 | 487539 | Screw |
| 7 | W10151210 | Display, Ingredient Care Center |
| 8 | 2162085 | Socket, Light |
| 9 | W10311505 | Light Bulb |
| 10 | W10142283 | Screw |
| 11 | W10165030 | Overlay, Control Box |
| 12 | 2302717 | Shield, Light |
| 13 | 486194 | Screw |

FOR ORDERING INFORMATION REFER TO PARTS PRICE LIST

TOP GRILLE AND UNIT COVER PARTS

For Model: EF42DBSS03

(Stainless Steel)



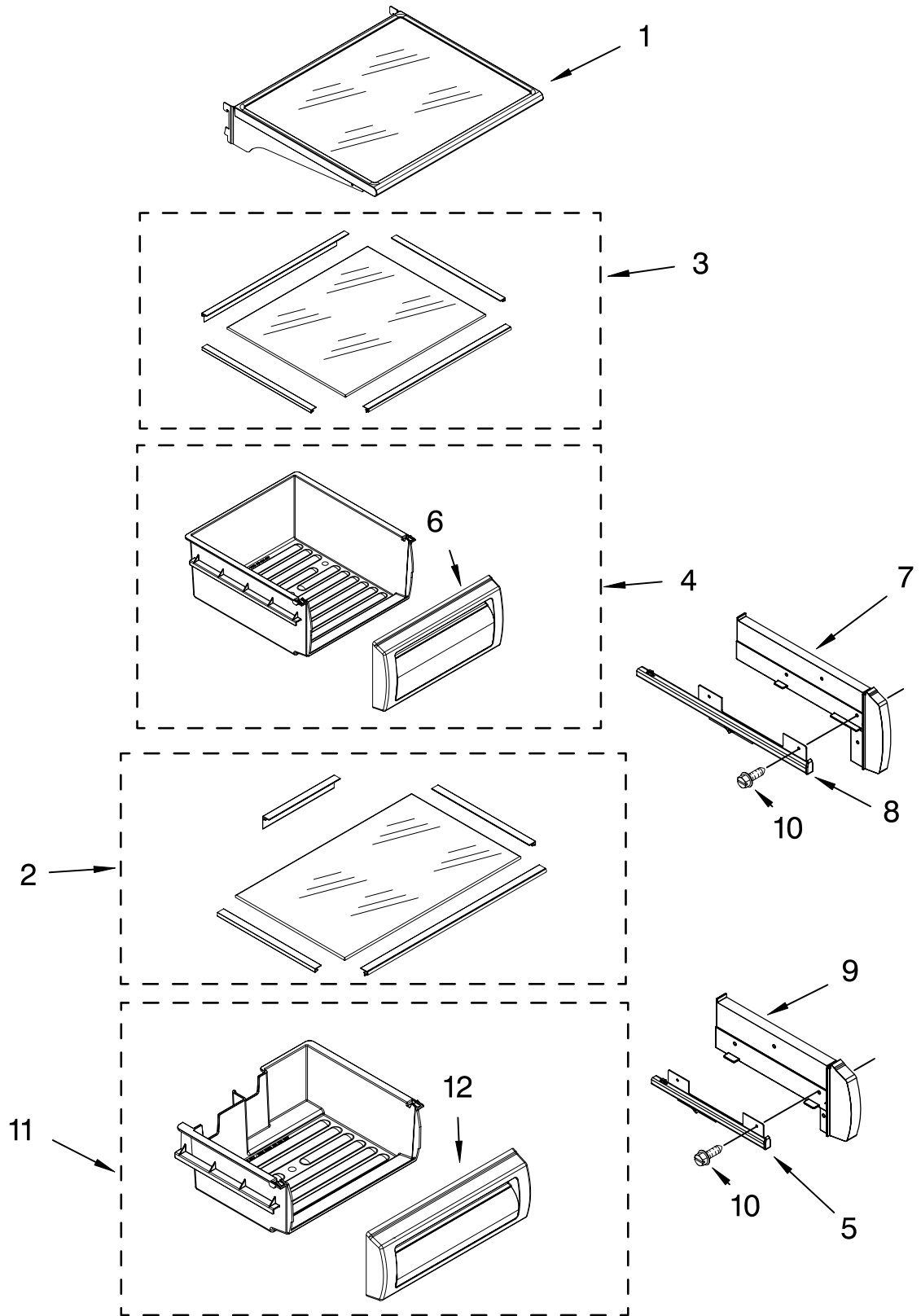
| Illus. No. | Part No. | DESCRIPTION |
|------------|-----------|---|
| 1 | W10162620 | Panel, Decorative Assembly Stainless Steel |
| 2 | W10161693 | Cover, Unit |
| 3 | 486194 | Screw |
| 4 | 2256466 | Back Panel |
| 5 | W10185625 | Cover, Unit Front |
| 6 | 12989001 | Badge, Dacor |
| 7 | 2215910 | Grommet-Flexible |

FOR ORDERING INFORMATION REFER TO PARTS PRICE LIST

REFRIGERATOR SHELF PARTS

For Model: EF42DBSS03

(Stainless Steel)



FOR ORDERING INFORMATION REFER TO PARTS PRICE LIST

REFRIGERATOR SHELF PARTS

For Model: EF42DBSS03

(Stainless Steel)

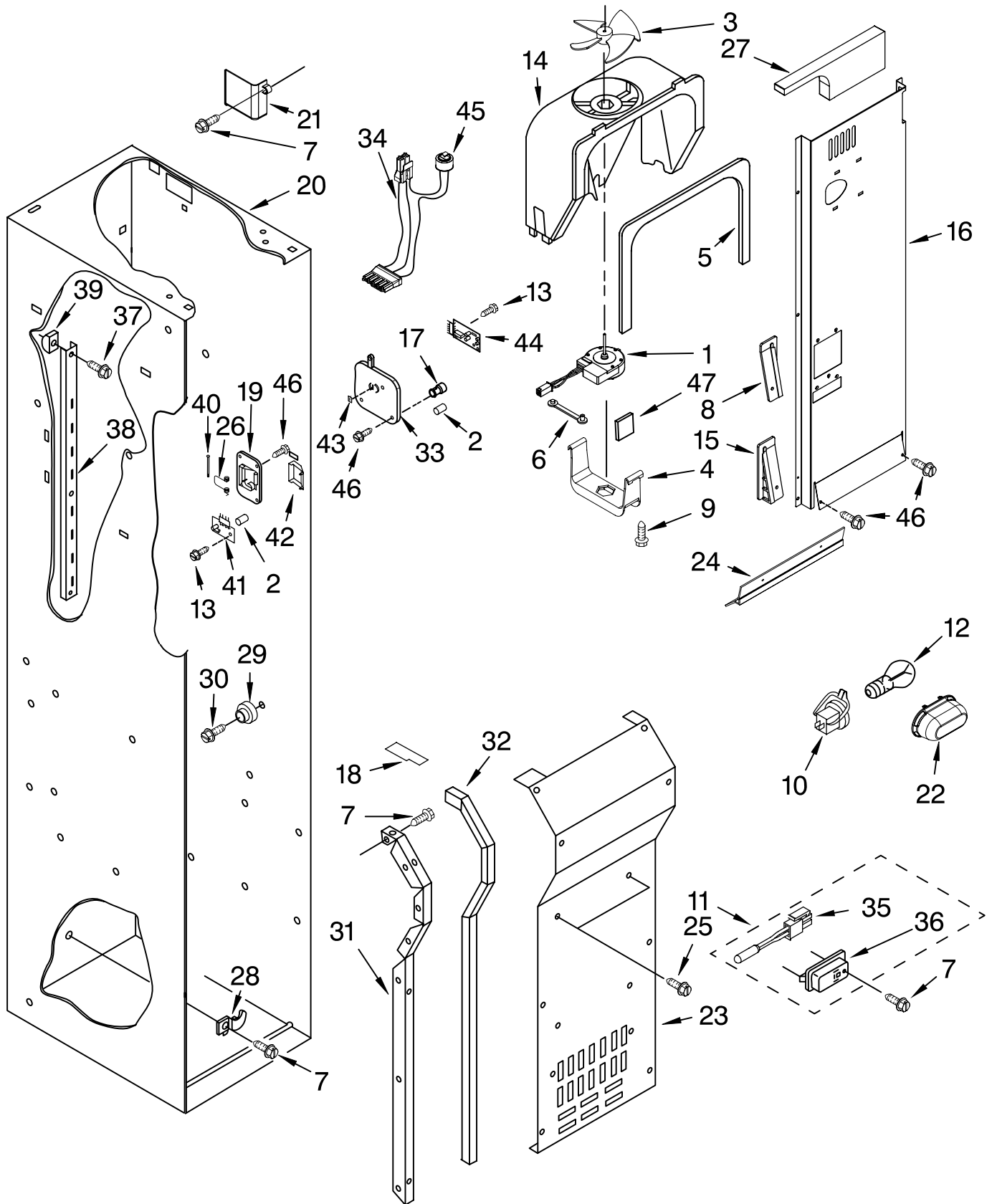
| Illus. No. | Part No. | DESCRIPTION |
|-------------------|-----------------|-------------------------------|
| 1 | W10165103 | Shelf Assembly |
| 2 | W10165091 | Assembly, Meat Pan Cover |
| 3 | 107288 | Assembly, Crisper Cover |
| 4 | W10407624 | Crisper Pan |
| 5 | | Slide, Meat Pan |
| | 2302954 | (LH) |
| | 2302955 | (RH) |
| 6 | 2256248 | Front, Crisper Pan |
| 7 | | Spacer, Crisper |
| | 2256222 | (RH) |
| | 2256223 | (LH) |
| 8 | | Slide, Crisper |
| | 2302956 | (RH) |
| | 2302957 | (LH) |
| 9 | | Spacer, Meat Pan |
| | 2256243 | (LH) |
| | 2256244 | (RH) |
| 10 | | Screw |
| | 8533929 | Right Side- (8-18 x 1.375) |
| | 8533928 | Left Side- (8-18 x .750) |
| 11 | W10407627 | Pan Assembly Meat |
| 12 | 2256366 | Front, Meat Pan |

FOR ORDERING INFORMATION REFER TO PARTS PRICE LIST

FREEZER LINER AND AIR FLOW PARTS

For Model: EF42DBSS03

(Stainless Steel)



FOR ORDERING INFORMATION REFER TO PARTS PRICE LIST

FREEZER LINER AND AIR FLOW PARTS

For Model: EF42DBSS03

(Stainless Steel)

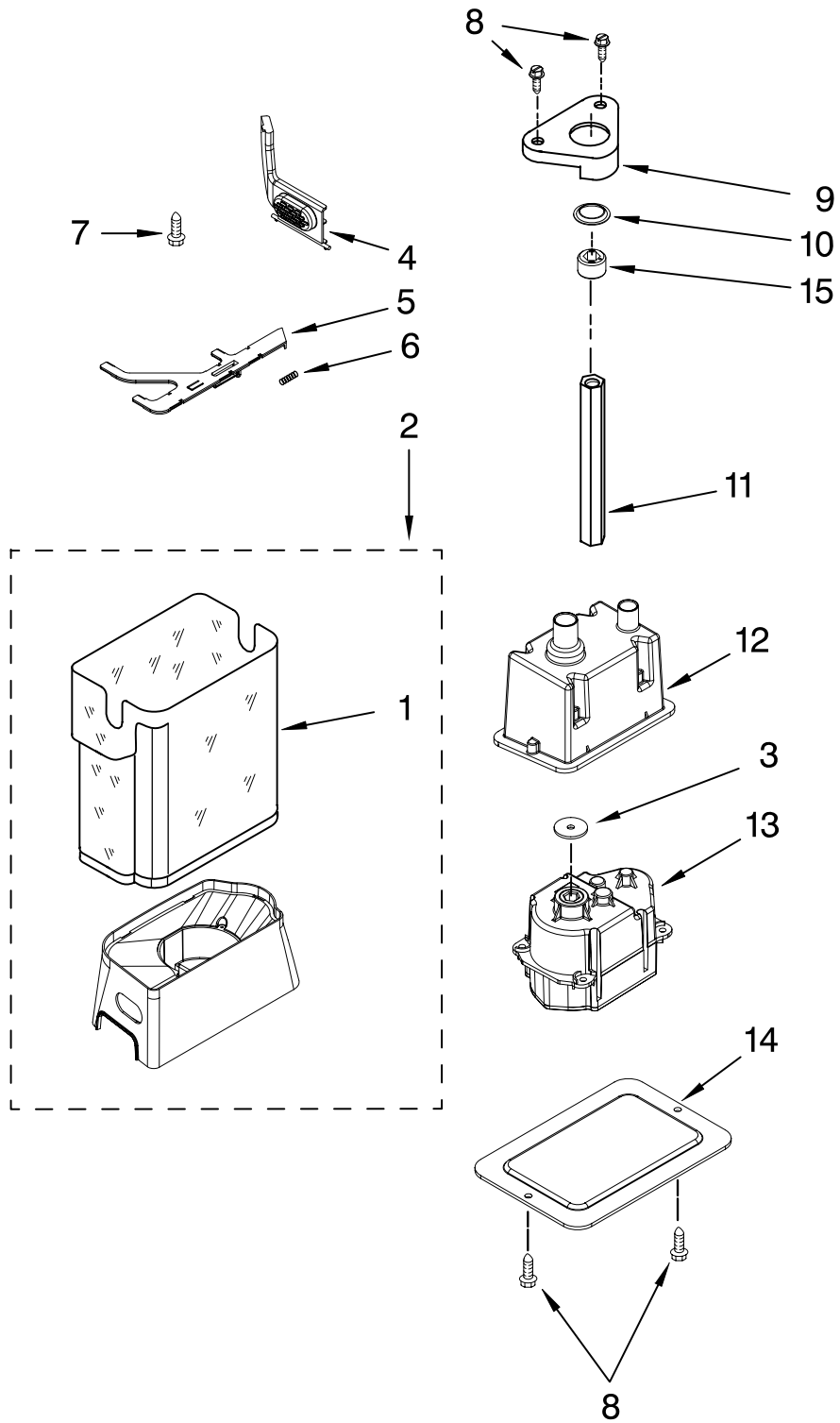
| Illus. No. | Part No. | DESCRIPTION | Illus. No. | Part No. | DESCRIPTION | Illus. No. | Part No. | DESCRIPTION |
|------------|-----------|-------------------|------------|-----------|-------------------|------------|-----------|--------------------|
| 1 | 2259385 | Fan Motor | 19 | W10151205 | Cover, Emitter | 32 | 2220904 | Gasket |
| 2 | 2198665 | Tube, P.C. Board | 20 | | Liner (Not A | | | Evaporator Cover |
| 3 | 2169142 | Fan Blade | | | Serviceable Part) | 33 | W10151208 | Cover, Receiver |
| 4 | 2223733 | Retainer, | 21 | 2259025 | Cover, Air Outlet | 34 | W10139189 | Harness, Evap Fan |
| | | Fan Motor | 22 | 2307751 | Light Shield | | | (Includes Item 45) |
| 5 | 2302817 | Gasket, Cover | 23 | W10428000 | Cover, Evaporator | 35 | 2306010 | Thermistor |
| 6 | W10449920 | Grommet | 24 | 2302850 | Support, Air Duct | 36 | 2317105 | Cover, Thermistor |
| 7 | 486194 | Screw | 25 | 487539 | Screw | 37 | 2006475 | Screw |
| 8 | 2259464 | Wedge, Air Duct | 26 | 2198635 | Spring | 38 | 2259032 | Ladder, Shelf |
| 9 | W10141604 | Screw, Ground | 27 | 2309283 | Deflector, Air | 39 | 2259445 | Support, Screw |
| 10 | W10191429 | Socket, Light | | | Duct | 40 | 2198634 | Pin |
| 11 | 2317844 | Thermistor Assy | 28 | 1112260 | Support, | 41 | W10193840 | P.C. Board |
| 12 | 2326255 | Light Bulb | | | Evaporator | | | Emitter |
| 13 | 489214 | Screw | 29 | W10173127 | Shelf, Stud | 42 | 2198633 | Flipper |
| 14 | 2182120 | Scroll, Fan | 30 | W10191952 | Screw | 43 | 2315398 | Slide, Icemaker |
| 15 | 2259465 | Wedge, Air Duct | 31 | | Evaporator, | | | Shut Off |
| 16 | 2307774 | Air Duct | | | Cover Rail | 44 | W10290817 | P.C. Board, |
| 17 | 2198643 | Lens | | 2221107 | (LH) | | | Receiver |
| 18 | | Block, Fan Scroll | | 2259355 | (RH) | 45 | W10160570 | Defrost, Bi-Metal |
| | 2209480 | (RH) | | | | 46 | W10142283 | Screw |
| | 2209066 | (LH) | | | | 47 | W10267707 | Insulation, Sound |

FOR ORDERING INFORMATION REFER TO PARTS PRICE LIST

MOTOR AND ICE CONTAINER PARTS

For Model: EF42DBSS03

(Stainless Steel)



FOR ORDERING INFORMATION REFER TO PARTS PRICE LIST

MOTOR AND ICE CONTAINER PARTS

For Model: EF42DBSS03

(Stainless Steel)

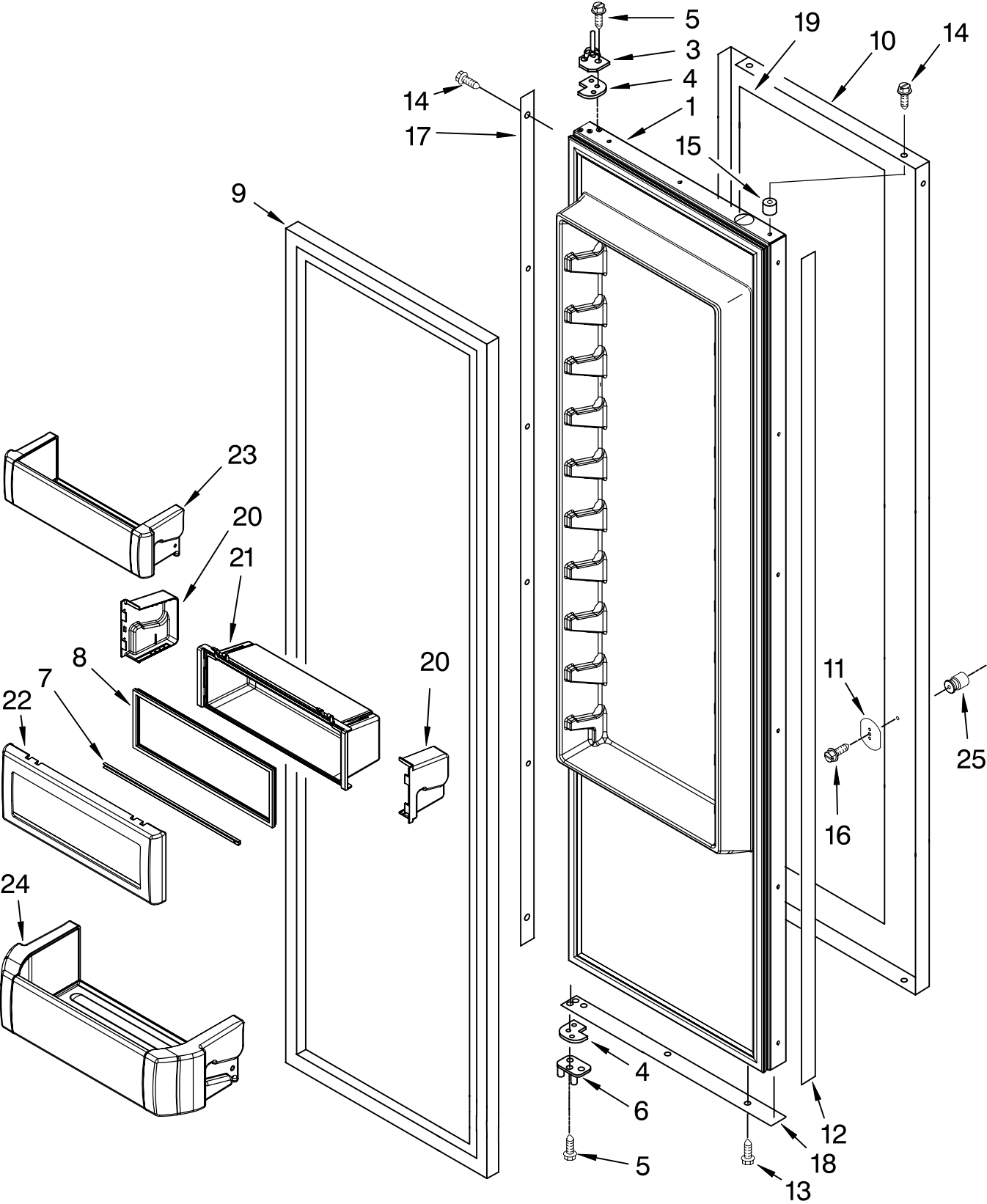
| Illus. No. | Part No. | DESCRIPTION |
|-----------------------|---------------------|---------------------------|
| 1 | 2222965 | Ice Bin |
| 2 | W10395653 | Ice Container Assembly |
| 3 | W10254073 | Washer, Rubber |
| 4 | 2266800 | Button, Bin |
| 5 | W10134783 | Latch, Bin |
| 6 | 2198608 | Spring, Latch |
| 7 | 2198671 | Screw |
| 8 | 8281163 | Screw |
| 9 | 2188919 | Holder |
| 10 | 2198628 | Seal |
| 11 | 2318082 | Drive Shaft |
| 12 | 2318011 | Enclosure, Motor |
| 13 | 2315546 | Dispenser, Motor |
| 14 | 2318028 | Cover |
| 15 | 2315559 | Sleeve. Coupling |

FOR ORDERING INFORMATION REFER TO PARTS PRICE LIST

REFRIGERATOR DOOR PARTS

For Model: EF42DBSS03

(Stainless Steel)



FOR ORDERING INFORMATION REFER TO PARTS PRICE LIST

REFRIGERATOR DOOR PARTS

For Model: EF42DBSS03

(Stainless Steel)

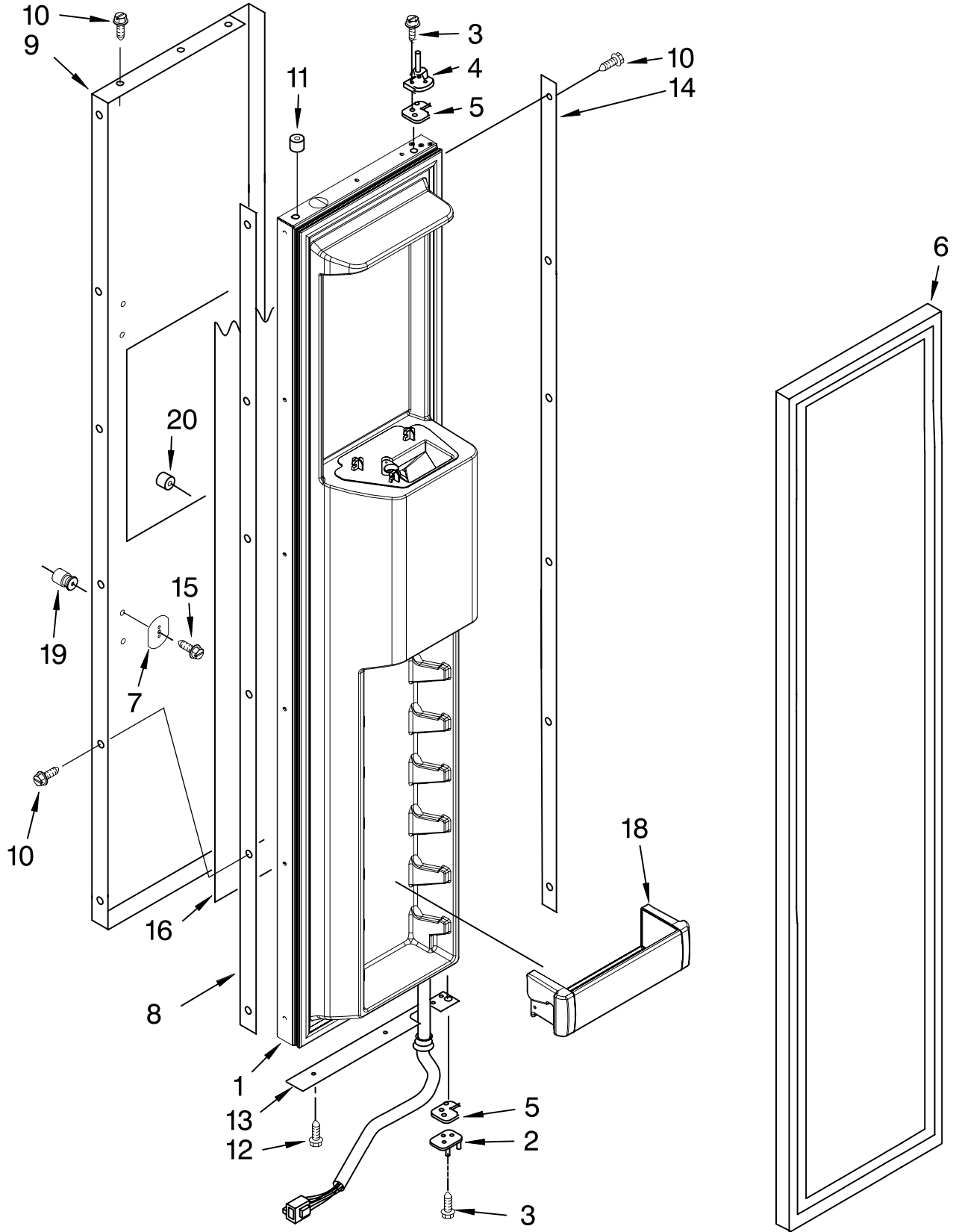
| <u>Illus. No.</u> | <u>Part No.</u> | <u>DESCRIPTION</u> |
|-------------------|-----------------|---|
| 1 | W10193490 | Refrigerator Door Panel (Includes Item #9) |
| 3 | 2266854 | Hinge Assembly, Top |
| 4 | 2316804 | Spacer-Door, Top & Bottom |
| 5 | W10162602 | Screw |
| 6 | 2302878 | Hinge Assembly, Bottom |
| 7 | 2222796 | Rail, Lid |
| 8 | 2222982 | Gasket, Utility Bin |
| 9 | 2222811 | Door Gasket, Magnetic |
| 10 | | Skin, Door |
| | W10159605 | Stainless Steel |
| 11 | W10127710 | Plate, Door Handle |
| 12 | | Spacer, Door-Skin (Handle Side) |
| | 2309060 | For Stainless Steel Model |
| 13 | 488568 | Screw |
| 14 | | Screw, 8-15 x .500 |
| | 8281250 | Stainless Steel |
| 15 | 2005433 | Spacer, Door-Skin (Top) |
| 16 | 308544 | Screw, Handle |
| 17 | W10142296 | Spacer, Door-Skin (Hinge Side) |
| 18 | 2004934 | Spacer, Door-Skin (Bottom) |
| 19 | W10127977 | Filler, Door |
| 20 | | End Cap (RH) |
| | W10323172 | (RH) |
| | W10323173 | (LH) |
| 21 | W10323036 | Bin, Utility Center |
| 22 | 2257616 | Door, Utility Bin |
| 23 | W10323599 | Bin, Door |
| 24 | W10323747 | Bin, Gallon |
| 25 | W10168981 | Stud, Mounting |

FOR ORDERING INFORMATION REFER TO PARTS PRICE LIST

FREEZER DOOR PARTS

For Model: EF42DBSS03

(Stainless Steel)



FOR ORDERING INFORMATION REFER TO PARTS PRICE LIST

FREEZER DOOR PARTS

For Model: EF42DBSS03

(Stainless Steel)

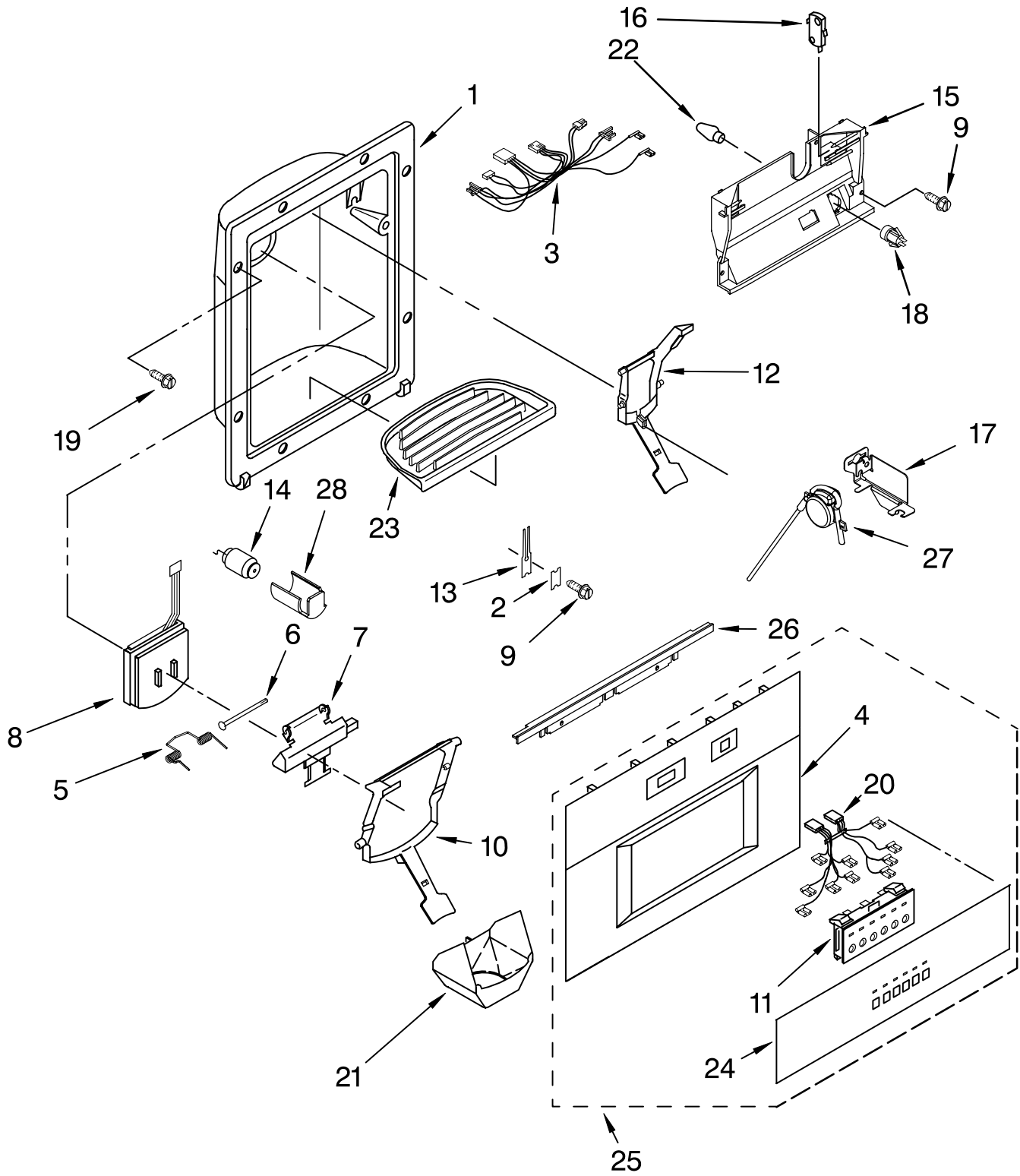
| Illus. No. | Part No. | DESCRIPTION |
|-----------------------|---------------------|------------------------------------|
| 1 | | Freezer Door |
| | W10292774 | Stainless |
| 2 | 2302879 | Hinge, Bottom |
| 3 | W10162602 | Screw |
| 4 | 2266854 | Hinge, Top |
| 5 | 2316804 | Spacer-Door, Top & Bottom |
| 6 | 2222814 | Door Gasket, Magnetic |
| 7 | W10127710 | Plate, Door Handle |
| 8 | | Spacer, Door-Skin (Handle Side) |
| | 2309060 | For Stainless Steel Model |
| 9 | | Skin, Door |
| | W10165044 | Stainless Steel |
| 10 | | Screw |
| | 8281250 | Stainless Steel |
| 11 | 2005433 | Spacer, Door-Skin (Top) |
| 12 | 3400091 | Screw |
| 13 | 2257385 | Spacer, Door-Skin (Bottom) |
| 14 | W10142296 | Spacer, Door-Skin (Hinge Side) |
| 15 | 308544 | Screw, Handle |
| 16 | | Filler, Door |
| | W10159585 | Top |
| | W10159582 | Bottom |
| 18 | W10323602 | Bin, Door |
| 19 | W10168981 | Stud, Mounting |
| 20 | 2252354 | Spacer |

FOR ORDERING INFORMATION REFER TO PARTS PRICE LIST

DISPENSER FRONT PARTS

For Model: EF42DBSS03

(Stainless Steel)



FOR ORDERING INFORMATION REFER TO PARTS PRICE LIST

DISPENSER FRONT PARTS

For Model: EF42DBSS03

(Stainless Steel)

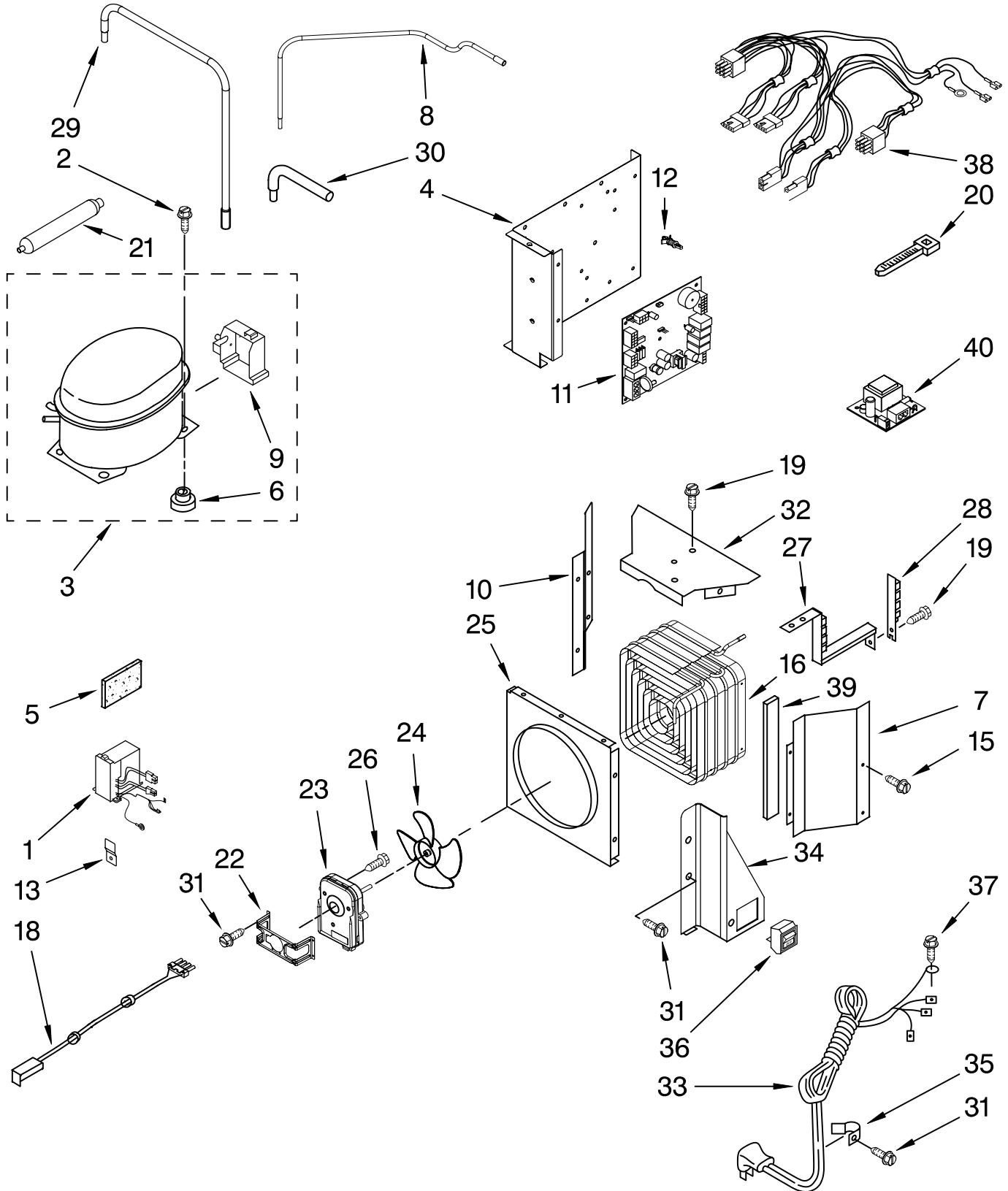
| <u>Illus.</u> | <u>Part</u> | <u>DESCRIPTION</u> |
|---------------|-------------|---|
| <u>No.</u> | <u>No.</u> | |
| 1 | | Housing, Dispenser (Not Serviced) |
| 2 | 2195051 | Strain Relief |
| 3 | W10139147 | Wire Assembly |
| 4 | | Cover, Dispenser (Not Serviced) |
| 5 | W10224328 | Spring, Torsion |
| 6 | 2196195 | Pin |
| 7 | 2304355 | Ice Door Mechanism |
| 8 | 2180353 | Door, Ice |
| 9 | W10141632 | Screw |
| 10 | 2259396B | Lever, Ice Dispenser |
| 11 | | Switch Assembly (Not Available Order #25) |
| 12 | 2259395B | Lever, Water Dispenser |
| 13 | 2194719 | Spring, Lever |
| 14 | 2205686 | Delay Mechanism |
| 15 | W10282667 | Bracket, Control |
| 16 | 2162361 | Switch |
| 17 | 2259209 | Bracket, Anti Drip Valve |
| 18 | 2180200 | Lamp Holder |
| 19 | W10141604 | Screw |
| 20 | | Harness, Switch (Not Available Order #25) |
| 21 | 2180224 | Guide, Ice |
| 22 | 3406124 | Light Bulb |
| 23 | 2302944B | Grill, Overflow |
| 24 | | Overlay, Cover (Not Serviced) |
| 25 | W10165055 | Front Cover Assembly (Includes Items 4,11,20 & 24) |
| 26 | 2306077 | Spacer, Dispenser Cover |
| 27 | 2320669 | Valve, Anti Drip |
| 28 | 2252127 | Sleeve, Delay Mechanism |

FOR ORDERING INFORMATION REFER TO PARTS PRICE LIST

UPPER UNIT PARTS

For Model: EF42DBSS03

(Stainless Steel)



FOR ORDERING INFORMATION REFER TO PARTS PRICE LIST

UPPER UNIT PARTS

For Model: EF42DBSS03

(Stainless Steel)

| Illus. No. | Part No. | DESCRIPTION |
|------------|-----------|---|
| 1 | W10133449 | Inverter Box |
| 2 | 489373 | Screw, Compressor Mounting |
| 3 | W10173296 | Compressor (Includes Items 6 & 9)(Also Order 876765 Tube Kit) |
| 4 | 2318087 | Housing, Control Board |
| 5 | 2169104 | Insulation, Sound |
| 6 | 1100826 | Grommet, Mounting |
| 7 | W10415668 | Support, Condenser (Right) |
| 8 | W10234131 | Tube, Transiton (Cond/Ht Loop) |
| 9 | 2215676 | Terminal Cover |
| 10 | W10415666 | Support, Condenser (Left) |
| 11 | W10219463 | Control Board, Gemini |
| 12 | 2203075 | Spacer |
| 13 | 2256328 | Bracket, Inverter Box |
| 15 | 1157158 | Screw |
| 16 | 2307998 | Condenser |
| 18 | 2310207 | Wire, Jumper |

| Illus. No. | Part No. | DESCRIPTION |
|------------|-----------|------------------------------------|
| 19 | 489399 | Screw |
| 20 | 2155774 | Wire Tie |
| 21 | W10175593 | Drier |
| 22 | W10414681 | Bracket, Fan Motor (Condenser Fan) |
| 23 | 2188875 | Motor, Fan |
| 24 | W10139483 | Blade, Fan |
| 25 | W10415670 | Orifice, Fan |
| 26 | 8533993 | Screw |
| 27 | 2317031 | Bracket, Vibration (Condenser) |
| 28 | 2317030 | Arm, Vibration (Condenser) |
| 29 | 2307566 | Tube, Transition (Condenser/Drier) |
| 30 | 2194319 | Tube, Process |
| 31 | 486194 | Screw |
| 32 | 2309000 | Cover, Condenser |
| 33 | 2310251 | Service Cord |
| 34 | W10185556 | Bracket, Mounting (Power Switch) |
| 35 | 549193 | Clamp, Cord |
| 36 | 2266802 | Switch, Power Disconnect |
| 37 | 487294 | Screw, Ground |
| 38 | W10178883 | Wiring Harness, Unit Compartment |

| Illus. No. | Part No. | DESCRIPTION |
|------------|----------|--------------------------------------|
| 39 | 2309432 | Gasket, Condenser |
| 40 | 2259350 | Power Supply, Ingredient Care Center |

Following Parts Not Illustrated and Optional Parts Not Included

| | |
|--------|-----------------------|
| 978025 | Valve, Access (1/4") |
| 978026 | Valve, Access (5/16") |
| 978027 | Valve, Access (3/8") |
| 978028 | Valve, Access (1/2") |
| 978029 | Valve, Access (5/8") |
| 978030 | Valve, Access (3/4") |
| 876764 | Valve, Access (3/16") |

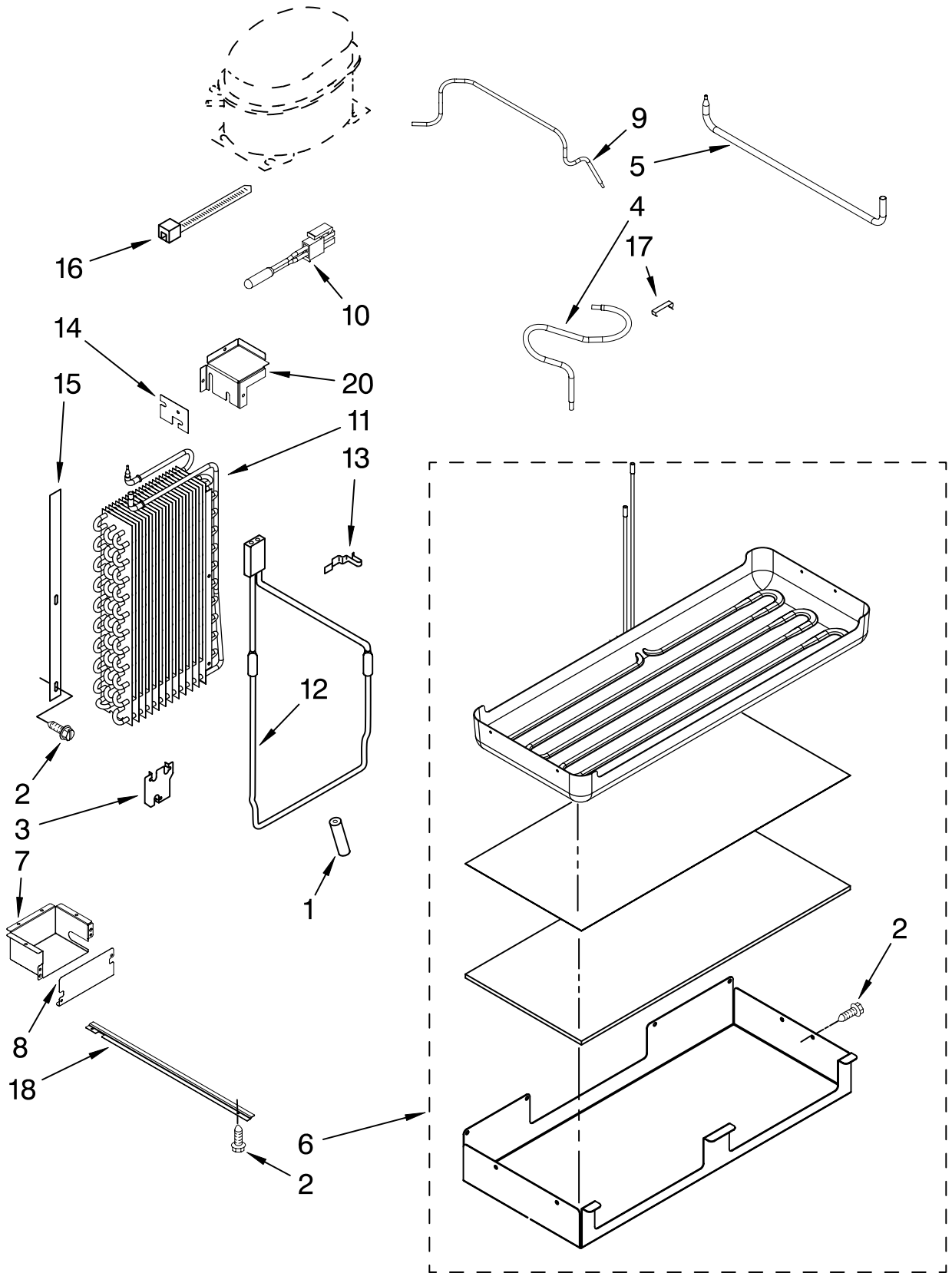
REFRIGERANT CHARGE

7.50 oz.
(R-134A)

LOWER UNIT AND TUBE PARTS

For Model: EF42DBSS03

(Stainless Steel)



FOR ORDERING INFORMATION REFER TO PARTS PRICE LIST

LOWER UNIT AND TUBE PARTS

For Model: EF42DBSS03

(Stainless Steel)

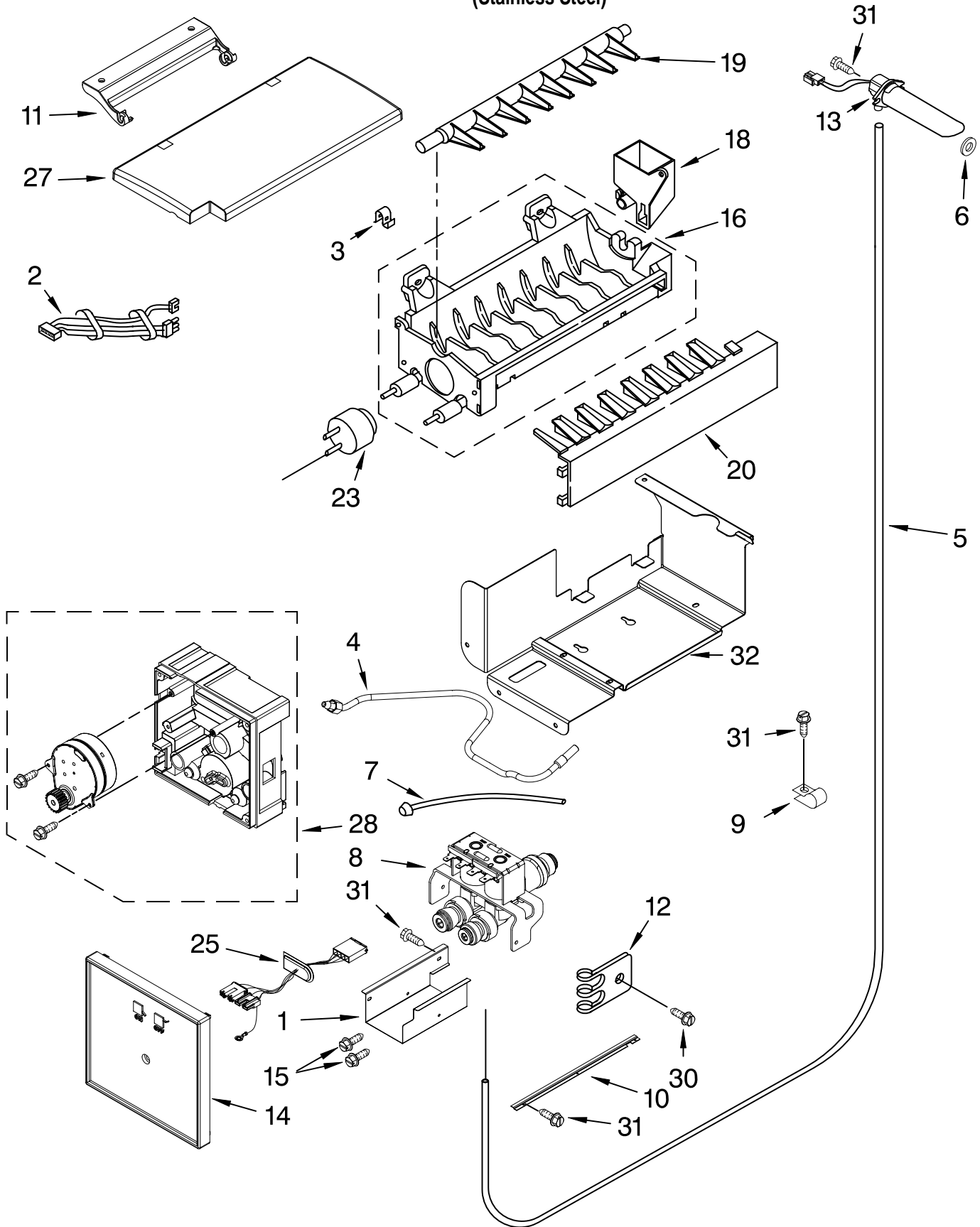
| Illus. | Part | |
|---------------|-------------|-------------------------------------|
| No. | No. | DESCRIPTION |
| 1 | 2215648 | Dampener |
| 2 | 486194 | Screw |
| 3 | W10157752 | Bracket |
| 4 | W10431124 | Suction Tube Oil Trap |
| 5 | W10388653 | Tube, Connect (Drier/Restrictor) |
| 6 | W10281063 | Drain Pan Assy. |
| 7 | W10309012 | Cover, Wiring |
| 8 | W10321048 | Cover, Box |
| 9 | W10412488 | Tube, Discharge |
| 10 | 2188820 | Thermistor |
| 11 | W10427992 | Evaporator |
| 12 | W10140161 | Heater, Defrost |
| 13 | 1113048 | Clamp, Heater |
| 14 | W10139908 | Cover Seal, Evaporator Tubes |
| 15 | W10432308 | Gasket, Evaporator |
| 16 | 2155774 | Wire Tie |
| 17 | W10169509 | Clip, Heat Exchanger |
| 18 | 2320554 | Support, Drain Pan |
| 20 | W10160981 | Bracket Assembly, Air Return |

FOR ORDERING INFORMATION REFER TO PARTS PRICE LIST

ICEMAKER PARTS

For Model: EF42DBSS03

(Stainless Steel)



FOR ORDERING INFORMATION REFER TO PARTS PRICE LIST

ICEMAKER PARTS

For Model: EF42DBSS03

(Stainless Steel)

| Illus. No. | Part No. | DESCRIPTION |
|------------|-----------|-------------------------|
| 1 | W10129655 | Shield, Valve |
| 2 | W10377185 | Wire Assembly, Icemaker |
| 3 | 628379 | Clip, Fuse |
| 4 | W10296807 | Tube, Filter Inlet |
| 5 | 2320658 | Water Tube |
| 6 | 2302758 | Seal Gasket |
| 7 | 2317912 | Tube, Filter Outlet |
| 8 | 2317883 | Valve, Solenoid |
| 9 | 2221070 | Clamp, Tube |
| 10 | 2320559 | Support, Valve |
| 11 | 2198641 | Bracket, Icemaker Cover |
| 12 | 2208136 | Clamp, Nylon Valve |
| 13 | W10296807 | Tube, Water Inlet |
| 14 | W10377172 | Cover |

| Illus. No. | Part No. | DESCRIPTION |
|------------|-----------|---|
| 15 | W10141604 | Screw |
| 16 | W10122527 | Mold & Heater (Also Order 542638 Silicone Grease) |
| 18 | W10272168 | Cup-Water Fill |
| 19 | 627843 | Ejector |
| 20 | W10272161 | Ice Stripper Thermostat |
| 23 | W10290336 | Thermostat (Also Order 542639 Cement Alumilastic) |
| 25 | W10279389 | Wire Assembly, Water Valve |
| 27 | W10151255 | Cover, Icemaker |
| 28 | W10280888 | Module & Motor Assembly |
| 30 | W10141645 | Screw |

| Illus. No. | Part No. | DESCRIPTION |
|------------|-----------|----------------------------|
| 31 | 486194 | Screw |
| 32 | 2252228 | Bracket, Icemaker Mounting |
| 100 | W10435671 | Complete Icemaker Assembly |

Following Parts Not Illustrated (Optional Parts Only)

| | |
|-----------|-----------------------------------|
| W10355016 | Affresh Stainless Steel Cleaner |
| W10355010 | Affresh Kitchen Appliance Cleaner |
| W10355049 | Affresh Stainless Steel Wipes |
| REFDEODOR | Deodorizer Pack |