



The Life of the Kitchen.®

# PARTS CATALOG

## EDW/IDW Dishwasher

**IMPORTANT:** This product may have some parts that are **No Longer Available (NLA)**. If the part you need is no longer available, please contact Dacor for a possible solution:

### DACOR CARES PROGRAM NLA Part Locator Service

**Customer Contact Number:**

(800) 793-0093 ex. 2813  
Hours: 6:00 AM - 5:00 PM Pacific Time

**Service Agent/Technician Contact Number:**

(800) 793-0093 ex. 3814  
Hours: 7:00 AM - 4:00 PM Pacific Time

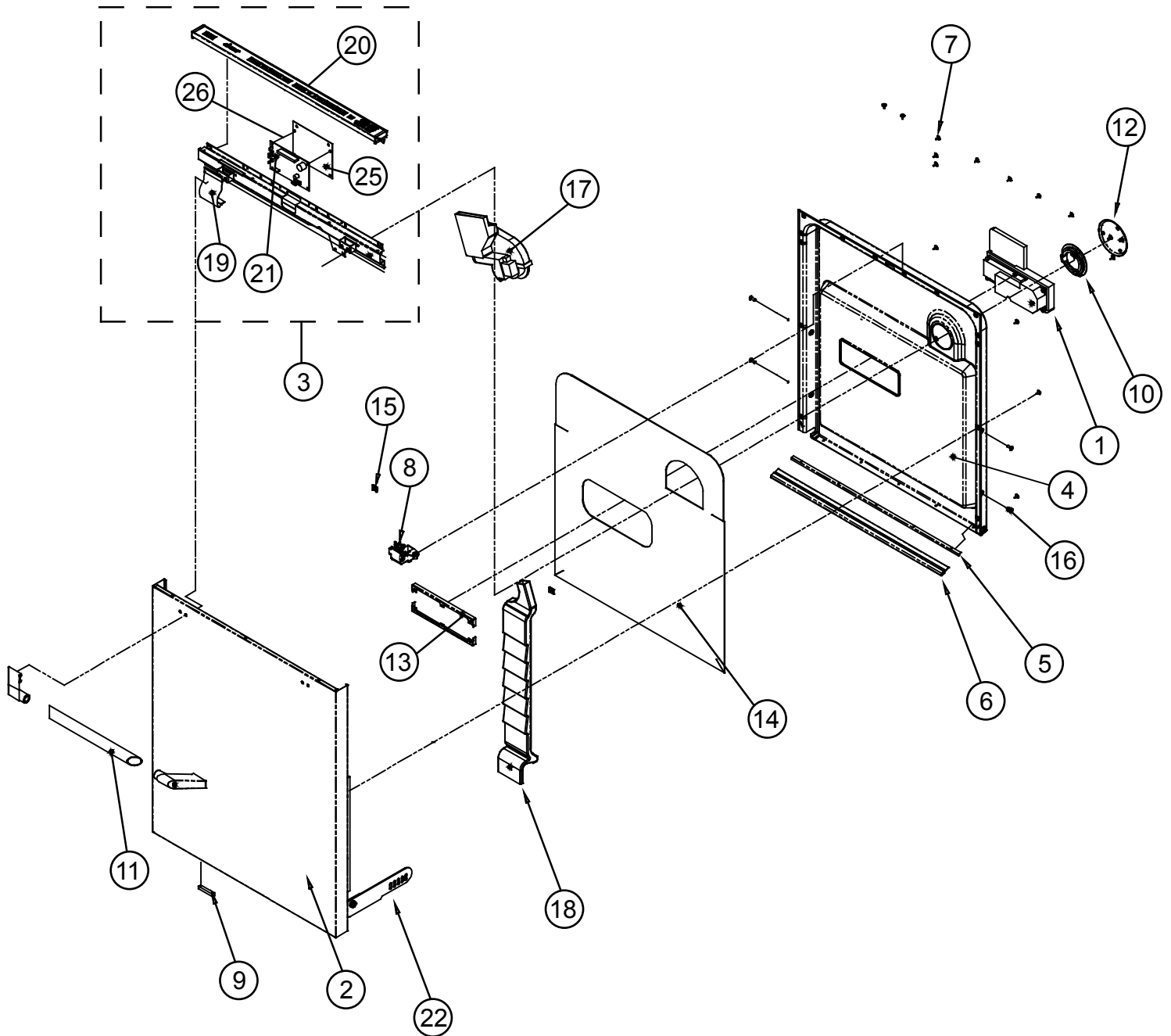
**Web Inquiries:** [www.dacor.com/dacorcares](http://www.dacor.com/dacorcares) **Email Inquiries:** [dacorcares@dacor.com](mailto:dacorcares@dacor.com)

Please provide the following information:

- Your name and phone number
- Product model number
- Product serial number
- The part number(s) you need

| Page # | Description                   |
|--------|-------------------------------|
| 2-3    | Door Assembly                 |
| 4-5    | Lower Rack Assembly           |
| 6      | Upper Rack Assembly           |
| 7-8    | Base Assembly                 |
| 9-10   | Electro-Mechanical Components |
| 11-12  | Tank Assembly                 |

# EDW/IDW Dishwasher Door Assembly



# EDW/IDW Dishwasher Door Assembly

| Item | EDW30 Part # | IDW30 Part # | EDW24 Part # | IDW24 Part # | Description                           |
|------|--------------|--------------|--------------|--------------|---------------------------------------|
| 1    | 72041        | 72041        | 72041        | 72041        | DETERGENT DISPENSER                   |
| 2    | 66902        | NA           | 66903        | NA           | DOOR ASSEMBLY                         |
| 3    | 13513        | 13513        | 13512        | 13512        | ASSEMBLY, BEZEL                       |
| 4    | 36589        | 36589        | 36583        | 36583        | DOOR LINER                            |
| 5    | 36856        | 36856        | 36855        | 36855        | CHANNEL, GASKET                       |
| 6    | 72318        | 72318        | 72317        | 72317        | SEAL, BOTTOM DOOR                     |
| 7    | 86603        | 86603        | 86603        | 86603        | SCREW, #8 X 3/8, WASHER HEAD          |
| 8    | 72338        | 72338        | 72056        | 72056        | DOOR LATCH                            |
| 9    | 72487        | 72487        | 72487        | 72487        | LED                                   |
| 10   | 72043        | 72043        | 72043        | 72043        | LOCKING RING, FAN                     |
| 11   | 13592        | NA           | 13591        | NA           | ASSEMBLY, HANDLE (specify trim color) |
| 12   | 72044        | 72044        | 72044        | 72044        | COVER, FAN                            |
| 13   | 66901        | 66901        | 66901        | 66901        | BRACKET, DISPENSER                    |
| 14   | 81558        | 81558        | 81557        | 81557        | SOUND INSULATION DOOR LINER           |
| 15   | 83436        | 83436        | 83436        | 83436        | CLIP "J" TYPE                         |
| 16   | 83604        | 83604        | 83604        | 83604        | SCREW, #10-32 X 1/2" WASHER HEAD      |
| 17   | 72042        | 72042        | 72042        | 72042        | FAN, DRYING                           |
| 18   | 72045        | 72045        | 72055        | 72055        | DUCT FAN (CONDENSATION TUBE)          |
| 19   | 72047        | 72047        | 72047        | 72047        | CABLE, MEMBRANE                       |
| 20   | 66905        | 66905        | 66904        | 66904        | ASSEMBLY, BEZEL MEMBRANE              |
| 21   | 72484*       | 72484*       | 72483**      | 72483**      | CONTROL BOARD                         |
| 22   | 36579        | 36579        | 36579        | 36579        | HINGE, RIGHT                          |
|      | 36578        | 36578        | 36578        | 36578        | HINGE, LEFT                           |
| 23   | 72498        | 72350        | 72143        | 72350        | WIRING HARNESS (not shown)            |
| 24   | 72038        | 72038        | 72038        | 72038        | POST AXIS HINGE (not shown)           |
| 25   | 36894        | 36894        | 36894        | 36894        | CONTROL BOARD MOUNTING PLATE          |
| 26   | 83538        | 83538        | 83538        | 83538        | PCB SUPPORT                           |

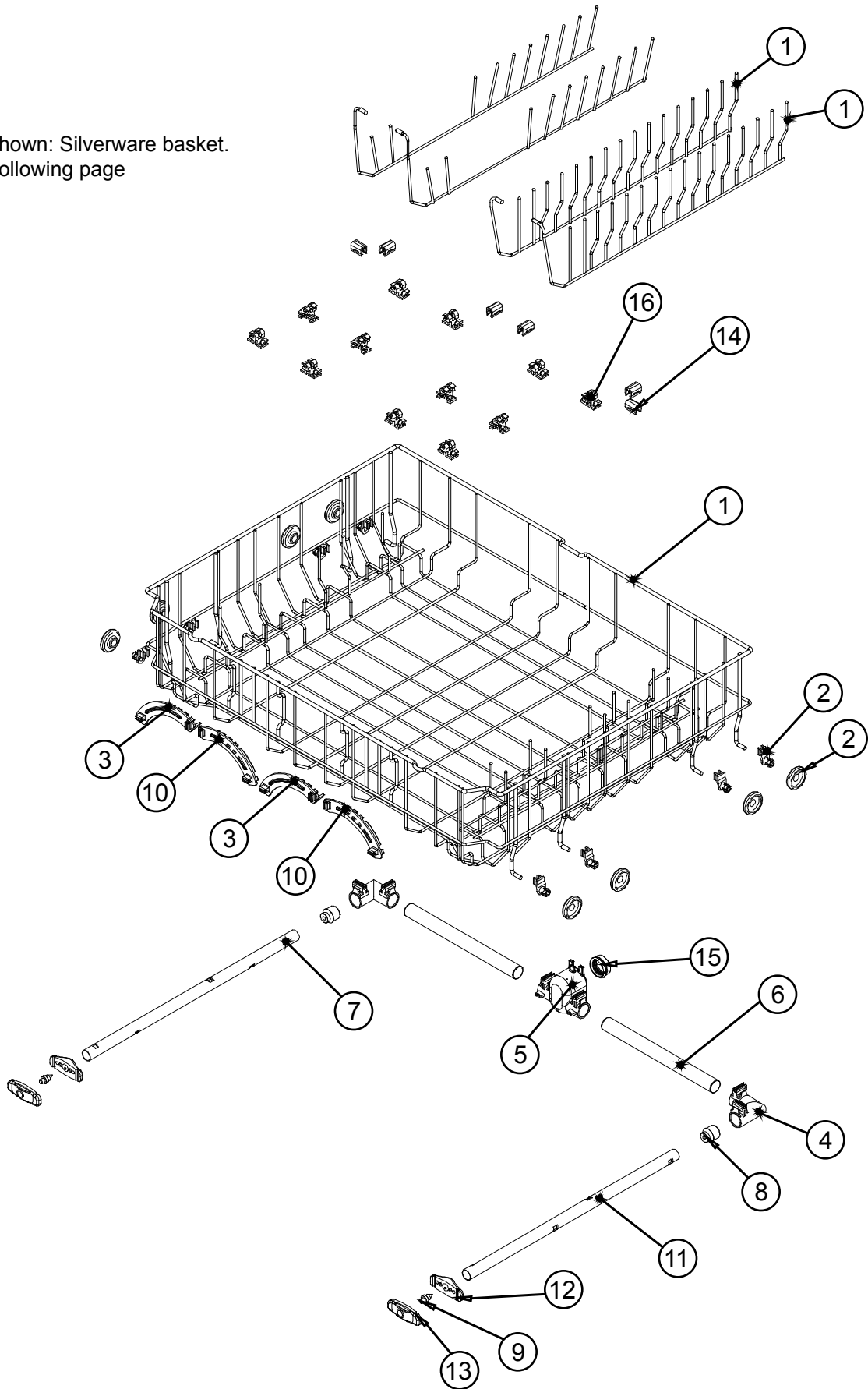
\* On units with a revision level below J, use part number 72658

\*\* On units with a revision level below H, use part number 62946

**Part no longer available? Call Dacor: (800) 793-0093 ex. 3814**

# EDW/IDW Dishwasher Lower Rack Assembly

Not shown: Silverware basket.  
See following page



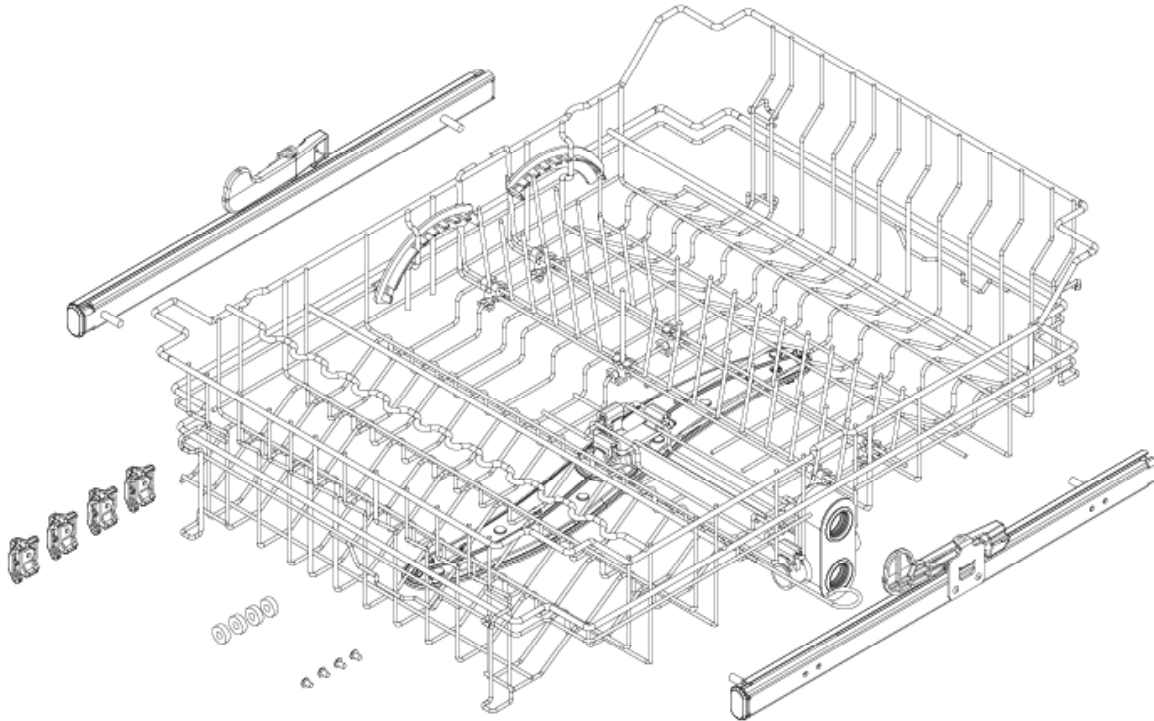
# EDW/IDW Dishwasher Lower Rack Assembly

| Item | EDW/IDW24 Part # | EDW/IDW30 Part # | Description                          |
|------|------------------|------------------|--------------------------------------|
| 1    | 13520            | 13568            | RACK, LOWER                          |
| 2    | 72556            | 72556            | ASSEMBLY, LOWER ROLLER               |
| 3    | 72081            | 72081            | TINE RECEIVER, LEFT                  |
| 4    | 72085            | 72085            | ELBOW                                |
| 5    | 72141            | 72141            | ASSEMBLY, LOWER RECEPT.              |
| 6    | 72664            | 72664            | PIPE, LOWER SPRAY ARM, 7.284"        |
| 7    | 72540            | 13645            | WATER SPINNER, LOWER, RIGHT HAND     |
| 8    | 72074            | 72074            | BEARING, LOWER SPINNER               |
| 9    | 72137            | 72137            | PIN, BEARING                         |
| 10   | 72134            | 72134            | TINE RECEIVER, RIGHT HAND            |
| 11   | 72541            | 13646            | WATER SPINNER, LOWER, RIGHT HAND     |
| 12   | 72088            | 72088            | PIN HOLDER, REAR                     |
| 13   | 72087            | 72087            | PIN HOLDER, FRONT                    |
| 14   | 72086            | 72086            | CLIP, SNAP-IN                        |
| 15   | 72591            | 72591            | WATER RECEPTACLE GROMMET             |
| 16   | 72080            | 72080            | HOLDER, TINE-TYPE A                  |
| 17*  | 72593            | 72593            | SILVERWARE BASKET ASSEMBLY (order 2) |
| 18*  | 72115            | 72115            | SILVERWARE BASKET COVER              |
| 19*  | 72144            | 72144            | SILVERWARE BASKET                    |

\* Not Shown

**Part no longer available? Call Dacor: (800) 793-0093 ex. 3814**

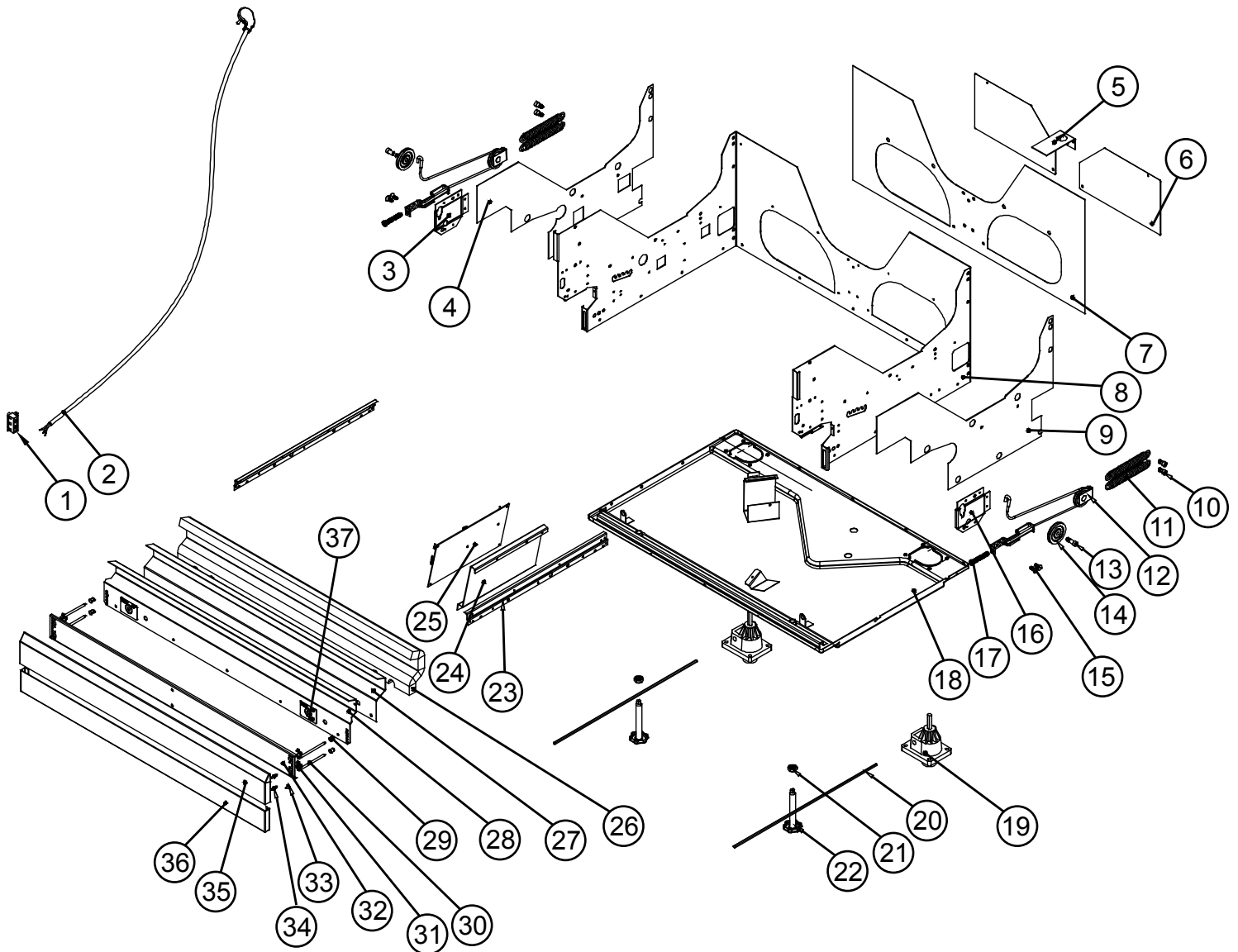
# EDW/IDW Dishwasher Upper Rack Assembly



| Item   | EDW/IDW24<br>Part # | EDW/IDW30<br>Part # | Description          |
|--|---------------------|---------------------|----------------------|
| 1  | 106543-02*          | 106543-01*          | ASSEMBLY, UPPER RACK |
| *You must order hardware kit, PN 106544 with this assembly. Includes all hardware and instructions for installation. |                     |                     |                      |

**Part no longer available? Call Dacor: (800) 793-0093 ex. 3814**

# EDW/IDW Dishwasher Base Assembly



# EDW/IDW Dishwasher Base Assembly

| Item | EDW/IDW24<br>Part # | EDW/IDW30<br>Part # | Description                  |
|------|---------------------|---------------------|------------------------------|
| 1    | 72108               | 72108               | TERMINAL BLOCK               |
| 2    | 72129               | 72129               | POWER CORD                   |
| 3    | 36769               | 36769               | BRACKET, HINGE LEFT          |
| 4    | 81555               | 81555               | SOUND INSULATION, BASE LEFT  |
| 5    | 36978               | 36978               | BRACKET, POWER CORD          |
| 6    | 36876               | 36877               | BACK COVER                   |
| 7    | 81512               | 81512               | SOUND INSULATION             |
| 8    | 36588               | 36580               | BASE WRAP                    |
| 9    | 81556               | 81556               | SOUND INSULATION, BASE RIGHT |
| 10   | 83585               | 83585               | SHOULDER BOLT                |
| 11   | 72359               | 72039               | SPRING, DOOR                 |
| 12   | 13606               | 13606               | CABLE PULLEY ASSEMBLY        |
| 13   | 83581               | 83581               | BOLT, 5/16 X 1/2             |
| 14   | 72039               | 72487               | PULLEY, SPRING DOOR MECH     |
| 15   | 83588               | 83588               | SCREW 1/4-20 X 5/8           |
| 16   | 36841               | 36841               | BRACKET, HINGE RIGHT         |
| 17   | 83587               | 83587               | SCREW, 1/4 - 20 X 2          |
| 18   | 38318               | 38319               | BASE PAN                     |
| 19   | 72110               | 72110               | REAR LEVELER                 |
| 20   | 72111               | 72111               | REAR LEVELER ADJUSTMENT ROD  |
| 21   | 83456               | 83456               | LOCK NUT, FRONT LEVEL        |
| 22   | 72109               | 72109               | LEG                          |
| 23   | 36761               | 36761               | TANK MOUNTING BRACKET        |
| 24   | 36893               | 36893               | POWER BOARD MOUNTING PLATE   |
| 25   | 72486*              | 72486*              | POWER BOARD                  |
| 26   | 81550               | 81550               | FOAM, BASE COVER             |
| 27   | 81540               | 81540               | SOUND INSULATION, BASE COVER |
| 28   | 36586               | 36592               | BASE COVER PLATE             |
| 29   | 83606               | 83606               | TUBE CLIP, 3/16              |
| 30   | 72492               | 72492               | .188 X 3.00 STAND OFF        |
| 31   | 83540               | 83540               | BALL STUD CATCH              |
| 32   | 36777               | 36778               | KICK PANEL MOUNTING PLATE    |
| 33   | 83571               | 83571               | SCREW, WASHER HEAD #8 X 3/8  |
| 34   | 83539               | 83539               | BALL STUD TRIM PANEL         |
| 35   | 36847               | 36845               | TOE KICK                     |
| 36   | 13589               | 13590               | BASE, TOE KICK               |
| 37   | 65338               | 65338               | LABEL, ADJUSTMENT ROD        |
| -    | 66848               | 66848               | SPONGE (not shown)           |

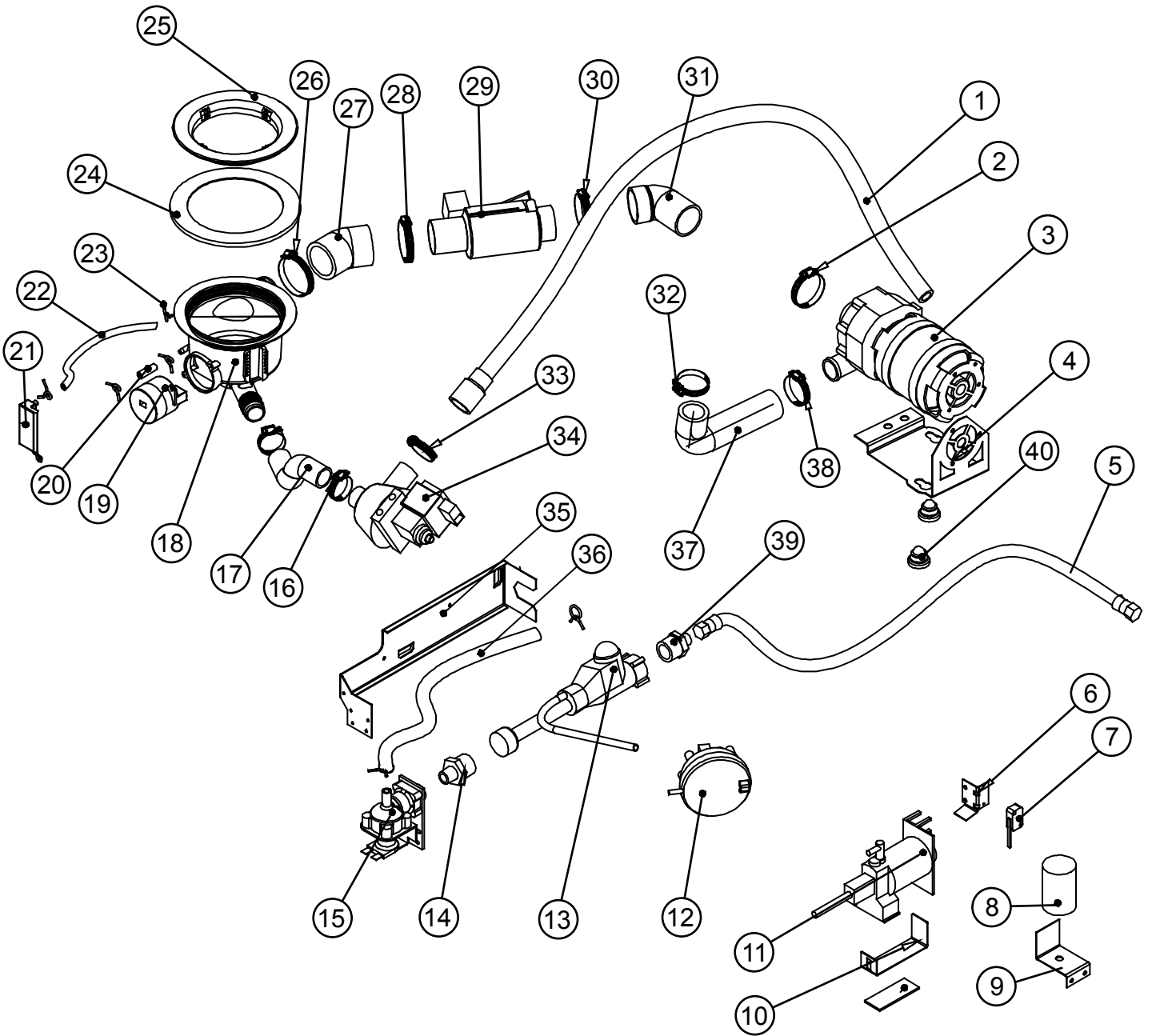
\* Use part number 62947 on 24 inch wide units with a revision level below H, on 30 inch wide units with a revision level below J.

**Part no longer available? Call Dacor: (800) 793-0093 ex. 3814**





# EDW/IDW Dishwasher Electro-Mechanical Components

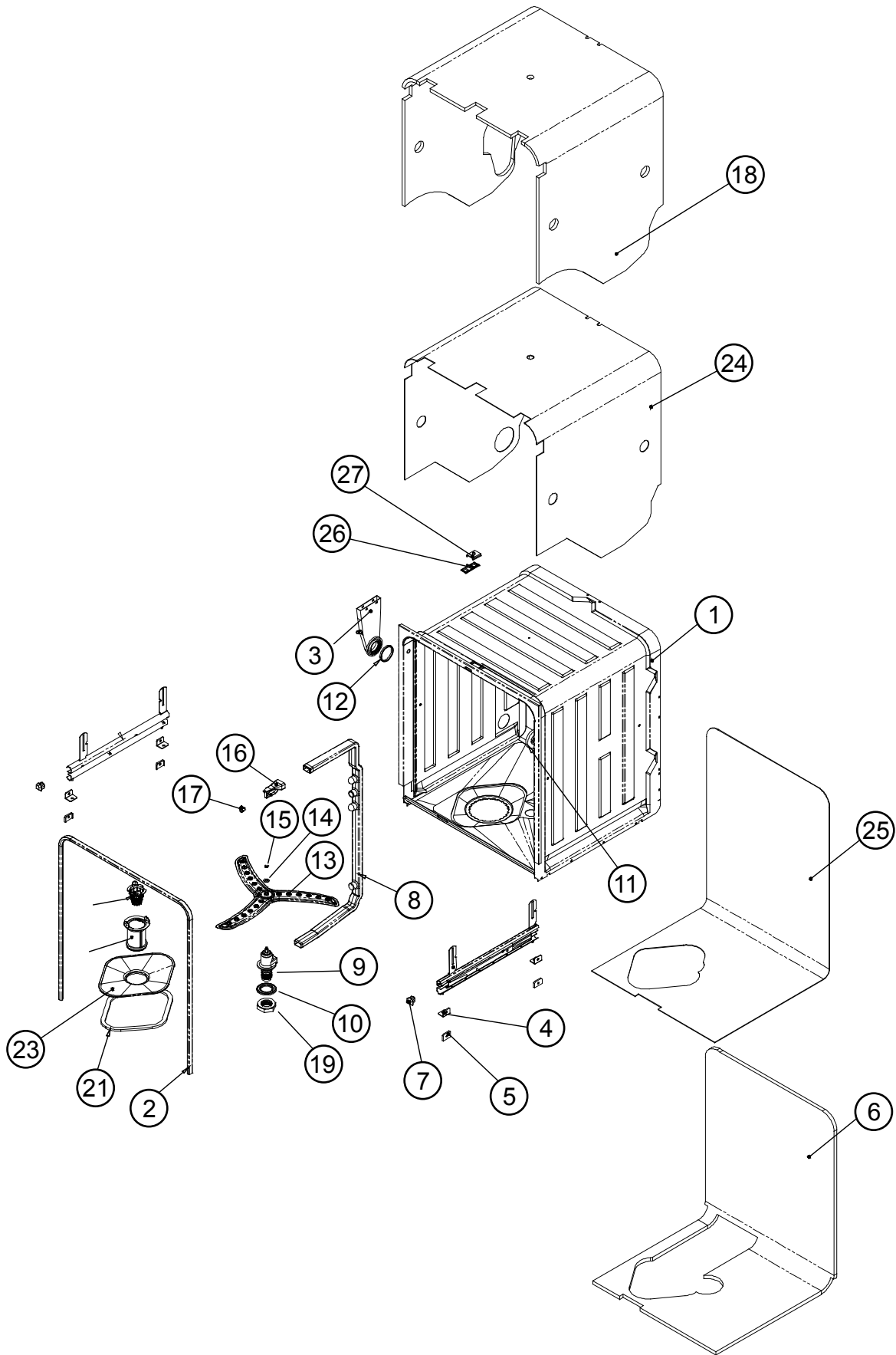


# EDW/IDW Dishwasher Electro-Mechanical Components

| Item | EDW/IDW24<br>Part # | EDW/IDW30<br>Part # | Description                     |
|------|---------------------|---------------------|---------------------------------|
| 1    | 72101               | 72101               | DRAIN HOSE                      |
| 2    | 83457               | 83457               | #28 HOSE CLAMP                  |
| 3    | 72336               | 72095               | CIRCULATION PUMP                |
| 4    | 36817               | 36582               | CIRCULATION PUMP MOUNTING PLATE |
| 5    | 72590               | 72590               | HOSE, BRAISED                   |
| 6    | 36914               | 36914               | MICRO-SWITCH BRACKET            |
| 7    | 72114               | 72114               | MICRO-SWITCH                    |
| 8    | 72337               | 72105               | CAPACITOR W/STRAP               |
| 9    | 36759               | 36759               | CAPACITOR MOUNTING BRACKET      |
| 10   | 38321               | 38321               | BRACKET, ACTUATOR               |
| 11   | 72344               | 72344               | PNEUMATIC ACTUATOR              |
| 12   | 72738               | 72738               | PRESSURE SWITCH                 |
| 13   | 72103               | 72103               | AQUA STOP SAFETY SYS.           |
| 14   | 72363               | 72363               | FITTING, FLOORGUARD             |
| 15   | 72104               | 72104               | INLET VALVE                     |
| 16   | 83605               | 83605               | #20 HOSE CLAMP                  |
| 17   | 72102               | 72102               | HOSE, SUMP TO DRAIN             |
| 18   | 72065               | 72065               | SUMP                            |
| 19   | 62715               | 62715               | TURBIDITY SENSOR                |
| 20   | 72473               | 72473               | HOSE, PRESSURE SENSOR 1"        |
| 21   | 72459               | 72459               | PRESSURE SENSOR BOX             |
| 22   | 72472               | 72472               | HOSE, PRESSURE SENSOR 13"       |
| 23   | 62268               | 62268               | HOSE CLAMP                      |
| 24   | 72464               | 72464               | SUMP GASKET                     |
| 25   | 72066               | 72066               | SUMP LOCKING NUT                |
| 26   | 83457               | 83457               | #32 HOSE CLAMP                  |
| 27   | 72099               | 72099               | HOSE, HEATER TO SUMP            |
| 28   | 83457               | 83457               | #32 HOSE CLAMP                  |
| 29   | 72094               | 72094               | HEATER                          |
| 30   | 83457               | 83457               | #28 HOSE CLAMP                  |
| 31   | 72098               | 72098               | HOSE, MAIN PUMP TO HEATER       |
| 32   | 83605               | 83605               | #24 HOSE CLAMP                  |
| 33   | 83605               | 83605               | #20 HOSE CLAMP                  |
| 34   | 72113               | 72113               | DRAIN PUMP                      |
| 35   | 36598               | 36598               | INLET VALVE BRACKET             |
| 36   | 72106               | 72106               | HOSE INLET VALVE- AIRBREAK      |
| 37   | 72465               | 72097               | HOSE MAIN PUMP TO WASH ARM      |
| 38   | 83605               | 83605               | #24 HOSE CLAMP                  |
| 39   | 72660               | 72660               | FITTING, INLET                  |
| 40   | 72096               | 72096               | SUPPORT, PUMP                   |

**Part no longer available? Call Dacor: (800) 793-0093 ex. 3814**

# EDW/IDW Dishwasher Tank Assembly



# EDW/IDW Dishwasher Tank Assembly

| Item | EDW/IDW24<br>Part # | EDW/IDW30<br>Part # | Description                     |
|------|---------------------|---------------------|---------------------------------|
| 1    | Not serviceable     |                     | ASSEMBLY, TUB                   |
| 2    | 72051               | 72050               | DOOR SEAL                       |
| 3    | 72073*              | 72073*              | AIR BREAK*                      |
| 4    | 66639               | 66639               | SLIDE MOUNTING BRACKET          |
| 5    | 72327               | 72327               | SEAL, SLIDE MOUNTING            |
| 6    | 81559               | 81560               | THERMAL INSULATION, LOWER       |
| 7    | 72557               | 72557               | SLIDE BUMPER                    |
| 8    | 72367               | 72057               | TUBE, WATER FEED                |
| 9    | 72503               | 72503               | LOWER WASH ARM ASSEMBLY FITTING |
| 10   | 72064               | 72064               | SEAL, LOWER WASH ARM FITTING    |
| 11   | 72061*              | 72061*              | LOCKING RING, AIR BREAK*        |
| 12   | 72326               | 72326               | AIR BREAK SEAL                  |
| 13   | 36604               | 36604               | LOWER WASH ARM ASSEMBLY         |
| 14   | 83454               | 83454               | SPRAY ARM WASHER                |
| 15   | 83455               | 83455               | #5 ACORN NUT                    |
| 16   | 72351               | 72351               | TOP SPRAY BASE                  |
| 17   | 72352               | 72352               | TOP SPRAY SPINNER               |
| 18   | 81561               | 81562               | THERMAL INSULATION, UPPER       |
| 19   | 72076               | 72076               | NUT, LOWER WASH ARM FITTING     |
| 20   | 72072               | 72072               | STRAINER                        |
| 21   | 72558               | 72558               | GASKET, TOP FILTER              |
| 22   | 72135               | 72135               | FILTER, INNER ASSEMBLY          |
| 23   | 72071               | 72071               | PERFORATED FILTER               |
| 24   | 81552               | 81553               | SOUND INSULATION, UPPER         |
| 25   | 81478               | 81479               | SOUND INSULATION, LOWER         |
| 26   | 72098               | 72048               | STRIKER DOOR LATCH              |
| 27   | 72490               | 72490               | KEEPER DOOR LATCH               |
| 28   | 72327               | 72327               | SEAL SLIDE MOUNTING             |

\* Must be ordered as a set. Order part number 12580

**Part no longer available? Call Dacor: (800) 793-0093 ex. 3814**