

The Dacor logo is rendered in a bold, italicized, sans-serif font with a metallic, 3D effect. The letters are dark with a lighter, reflective highlight on the top and left sides, giving it a sleek, modern appearance. A registered trademark symbol (®) is located to the right of the logo.

# **dacor**®

The Life of the Kitchen.®

The background of the top half of the page is a faded, grayscale image of a kitchen. In the center, a white dishwasher is integrated into a wooden cabinet. On top of the dishwasher, there is a white bowl and a large white pot. To the left, a countertop holds various kitchen items like a bowl of fruit and a bottle. To the right, another countertop has a sink and some dishes. The overall scene is a typical kitchen environment.

## **PARTS CATALOG**

### **EDWH24 Dishwasher**

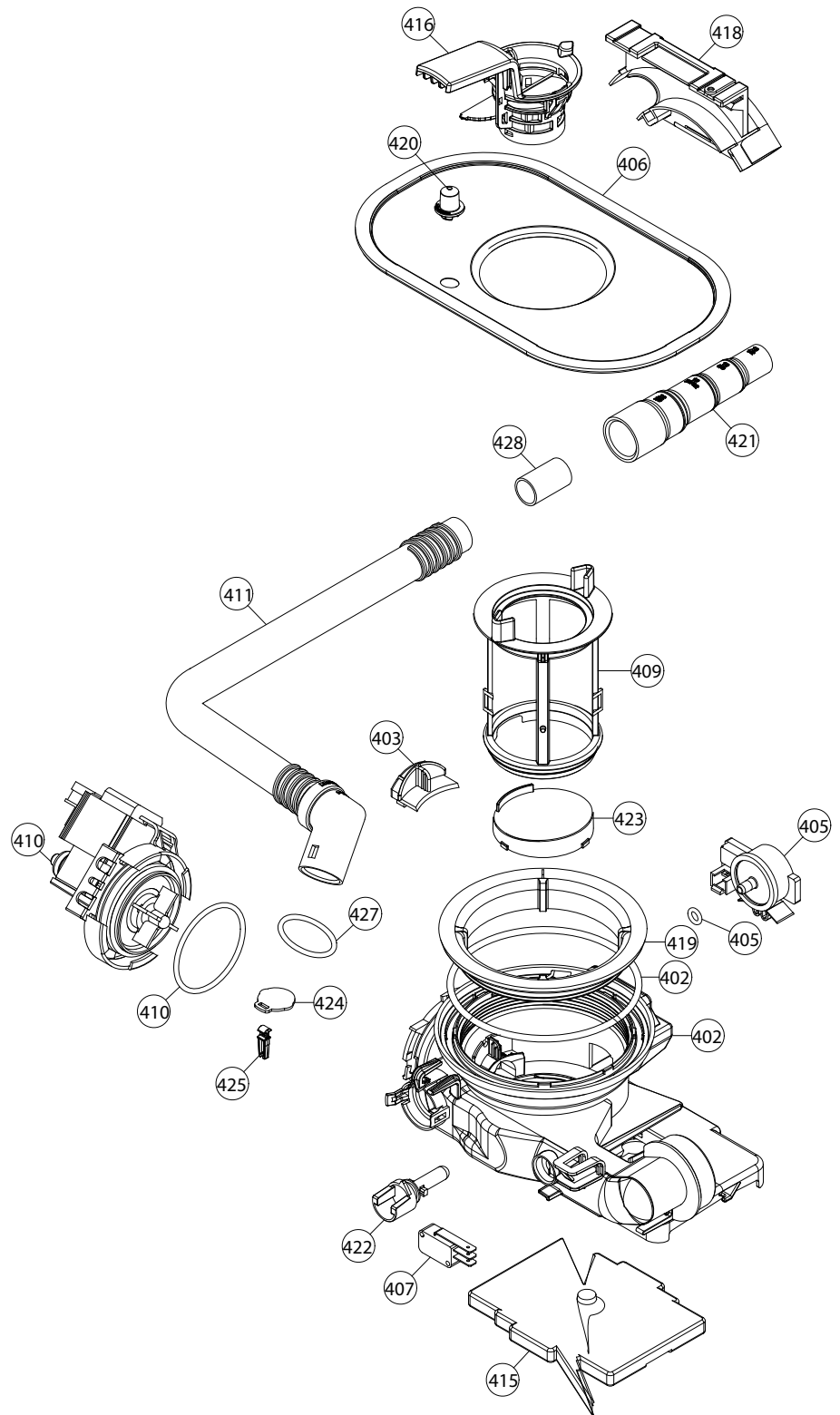
| <b>Page</b> | <b>Description</b>                       |
|-------------|--|
| <b>2</b>    | <b>Drain System Assembly</b>             |
| <b>3</b>    | <b>Base Chassis Assembly</b>             |
| <b>4</b>    | <b>Door Assembly</b>                     |
| <b>5</b>    | <b>Rack Assemblies and Outer Chassis</b> |
| <b>6</b>    | <b>Wash System</b>                       |
| <b>7</b>    | <b>Control Panel Assembly</b>            |

Revised 12-03-2013

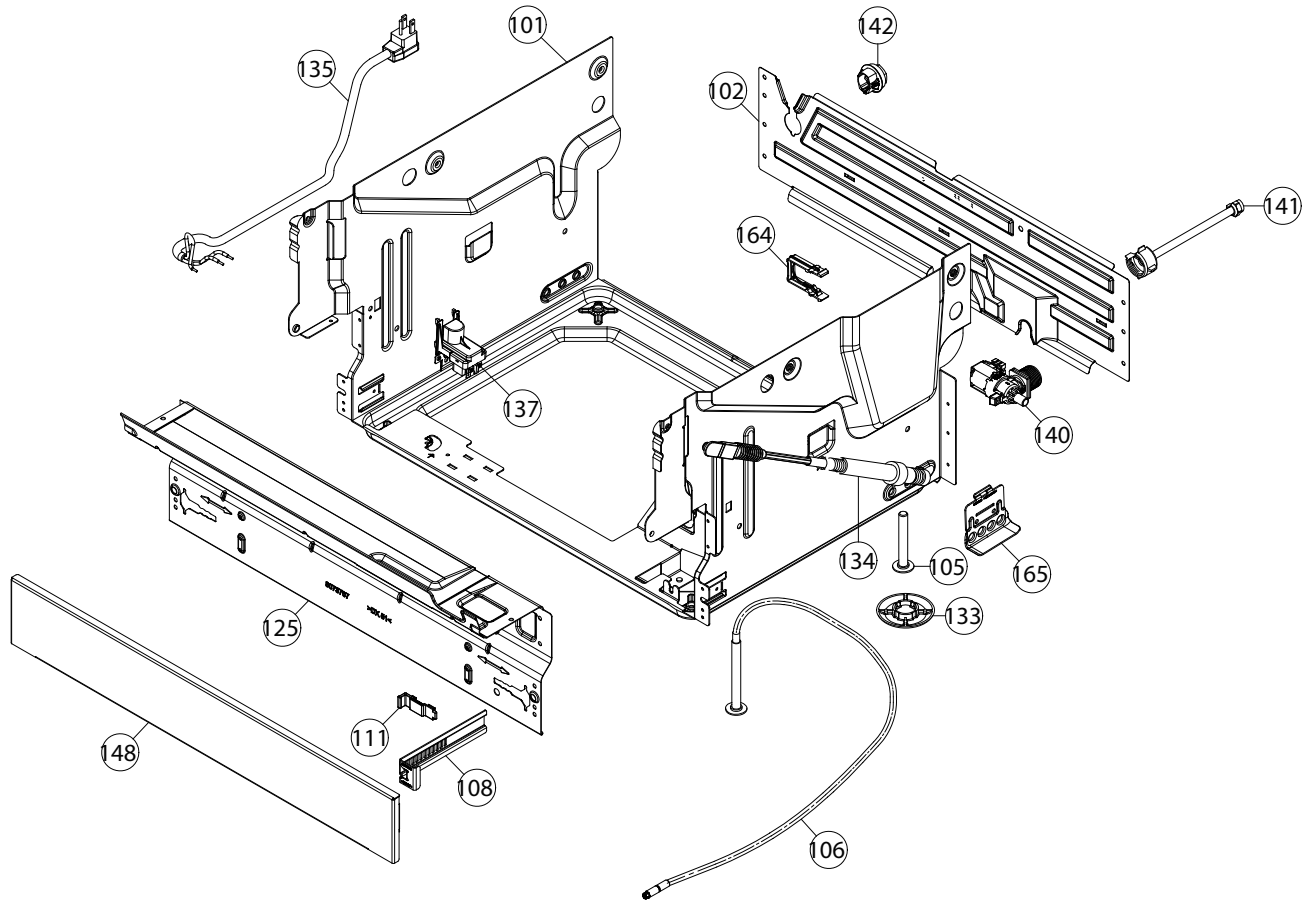
Dacor Technical Service • 14425 Clark Avenue Industry, CA 91745 • Phone 800-353-2267 • FAX 909-348-5601

# EDWH24 - Drain System Assembly

| Item  | Part # | Description                   |
|-------|--------|-------------------------------|
| 402   | 105207 | Bottom Well Pressure Sensor   |
| 402-a | 105137 | O-Ring 110 x 4                |
| 403   | 105171 | Rinse Bottom Well Yellow      |
| 405   | 105149 | Pressure Sensor *ESD*         |
| 405-a | 105152 | O-Ring 6.3 x 2.4 NBR70        |
| 406   | 105128 | Strainer DW20                 |
| 407   | 105147 | Micro Switch Float            |
| 409   | 105163 | Pipe Filter                   |
| 410   | 105181 | Drain Pump 120 V 60 Hz        |
| 410-a | 105115 | O-Ring 49.5 x 3.0 NBR70       |
| 411   | 105203 | Outlet Hose Hard End Cuff US  |
| 411-a | 105233 | O-Ring 32.2 x 3 NBR70         |
| 415   | 105170 | Float                         |
| 416   | 105164 | Strainer Basket Grey          |
| 418   | 105127 | Holder Outlet Hose            |
| 418-a | 105101 | Cable Strip T30               |
| 418-b | 105227 | Screw PT KB 40 x 10 GALV.     |
| 419   | 105129 | Lock Ring Bottom Well         |
| 420   | 105135 | Ventilator                    |
| 421   | 105144 | End Cuff USA                  |
| 422   | 105178 | Thermistor                    |
| 423   | 105197 | Bottom Lid Tube Filter        |
| 424   | 105195 | Sealing Flat Non-Return Valve |
| 425   | 105200 | Hook Non-Return Valve         |
| 427   | 105233 | O-Ring 32.2 x 3 NBR70         |
| 428   | 105242 | Sleeve Outlet Hose USA        |
| 428-a | 105104 | Hose Clip 31.6                |



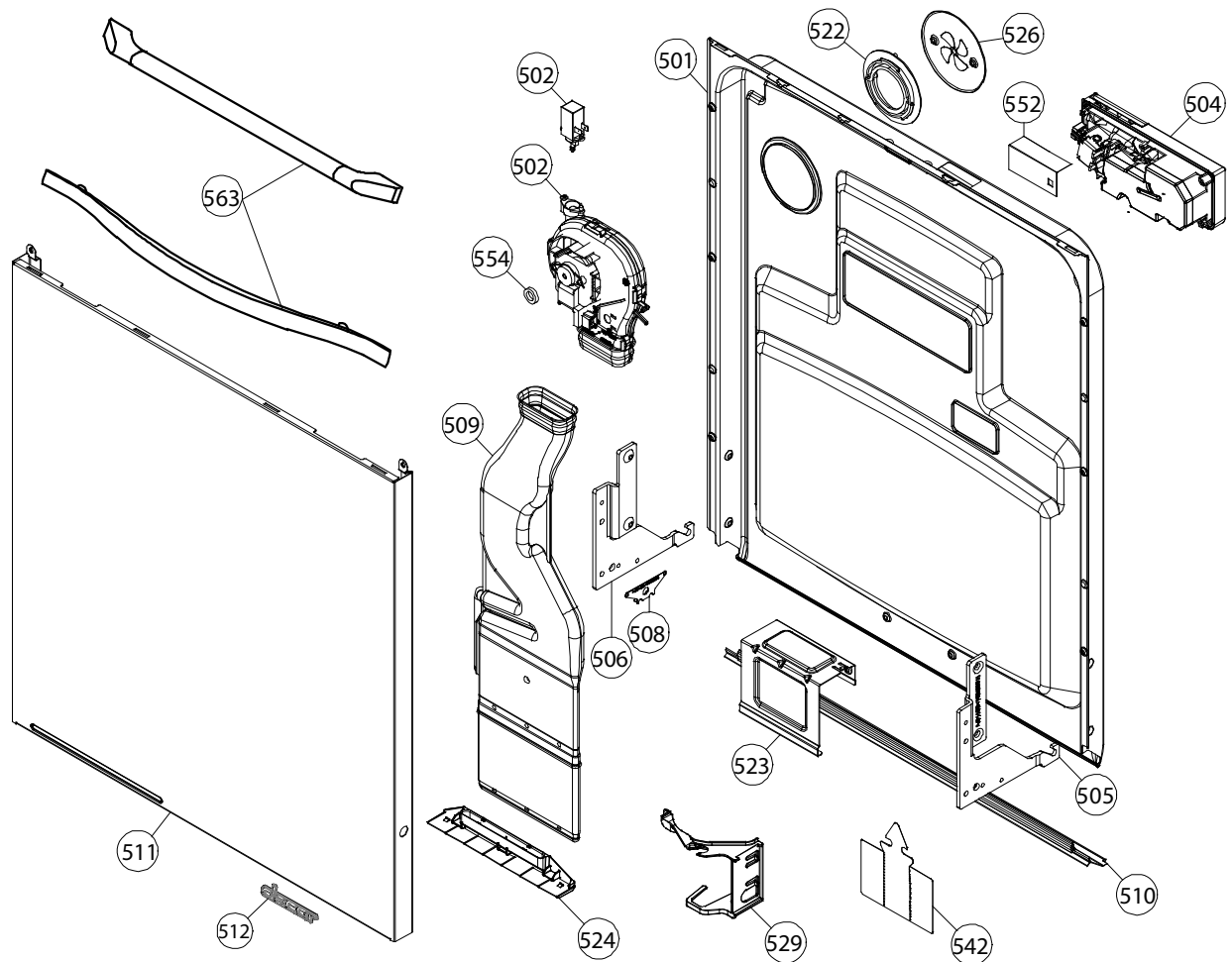
# EDWH24 - Base Chassis Assembly



| Item         | Part # | Description                          |
|--------------|--------|--------------------------------------|
| <b>101</b>   | 105220 | Bottom Outer                         |
| <b>102</b>   | 105167 | Rear Panel                           |
| <b>105</b>   | 105153 | Foot M10 x 75 T30 8.8 FZB            |
| <b>106</b>   | 105236 | Foot Adjustable from Front, Complete |
| <b>108</b>   | 105142 | Bracket Kicking Plate                |
| <b>111</b>   | 105143 | Spring Kicking Plate L-Grey          |
| <b>125</b>   | 105168 | Guard plate Straight                 |
| <b>125-a</b> | 105231 | Screw RTS 4.2 x 13 FZB T20 Sort.     |
| <b>134</b>   | 105208 | Door Spring CPL Hard Damper (yellow) |
|              | 105241 | Door Spring CPL Hard Damper (red)    |
|              | 105338 | Door Spring, Heavy Duty (green)      |

| Item         | Part # | Description                         |
|--------------|--------|-------------------------------------|
| <b>135</b>   | 105201 | Cord Set 15 A                       |
| <b>137</b>   | 105199 | Filter w/Screw                      |
| <b>137-a</b> | 105226 | Screw MRT-TT 4 x 10 FZB T20         |
| <b>140</b>   | 105218 | Kit Inl. Valve/Lock Arm Sing. 120 V |
| <b>141</b>   | 105111 | Connections Pipe 9/16-3/4           |
| <b>142</b>   | 105102 | Grommet Z13                         |
| <b>148</b>   | 105145 | Kick-Plate 86 cm Met. Grey          |
| <b>162</b>   | 105240 | Cable Holder                        |
| <b>164</b>   | 105193 | Lock Arm Inlet Valve                |
| <b>165</b>   | 105169 | Holder Door Spring Out. Bottom      |
| <b>165-a</b> | 105232 | Screw RTK ST 4.2 x 9.5 FZB Wax.     |

# EDWH24 - Door Assembly

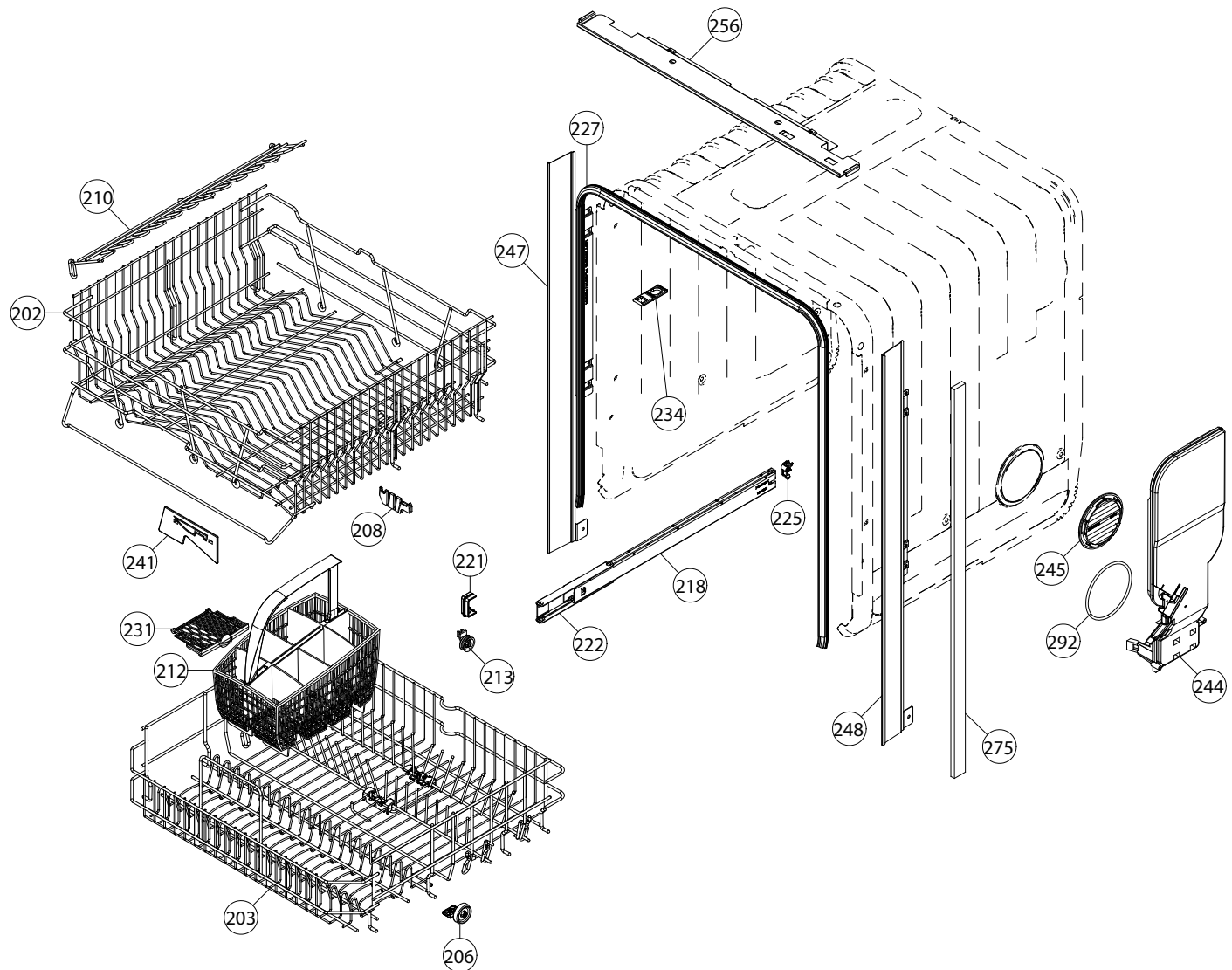


| Item         | Part # | Description                     |
|--------------|--------|---------------------------------|
| <b>501</b>   | 105263 | Door Inner w/Fan                |
| <b>501-a</b> | 105225 | Screw A4 RTS 4.2 x 13 T20 Sort. |
| <b>501-b</b> | 105229 | Screw A2 MKFT 5 x 10            |
| <b>502</b>   | 105822 | Fan Compl. 120 V 60 Hz          |
| <b>502-a</b> | 105244 | O-Ring 83 x 3 NBR70             |
| <b>502-b</b> | 105245 | Kit w/ New Wax Motor            |
| <b>504</b>   | 105219 | Kit Combi Dispenser 120 V       |
| <b>504-a</b> | 105121 | Seal, Det. Comp. Lid            |
| <b>504-b</b> | 105125 | Cap. Rinse Agent                |
| <b>504-c</b> | 105124 | Lid, Incl. Seal and Spring      |
| <b>504-d</b> | 105126 | Sealing Strip Combi Disp.       |
| <b>504-f</b> | 105230 | Screw PTK 40 x 14 FZB T20       |
| <b>505</b>   | 105246 | Hinge Right                     |
| <b>506</b>   | 105247 | Hinge Left                      |
| <b>507</b>   | 105110 | Hinge Screw                     |
| <b>507-a</b> | 105100 | Nut M4 (Locking)                |
| <b>508</b>   | 105248 | Washer Hinge Bearing            |
| <b>509</b>   | 105249 | Air Channel                     |

| Item         | Part #   | Description                     |
|--------------|----------|---------------------------------|
| <b>510</b>   | 105118   | Door Seal                       |
| <b>511</b>   | 105300   | Door, Outer*                    |
| <b>511-a</b> | 105225   | Screw A4 RTS 4.2 x 13 T20 Sort. |
| <b>512</b>   | 72510CH  | Logo, Dacor                     |
| <b>522</b>   | 105253   | Locking Ring 2 Fan House        |
| <b>522-a</b> | 105228   | Screw PT KB 40 x 10 RFS         |
| <b>523</b>   | 105116   | Brace 86 cm                     |
| <b>523-a</b> | 105225   | Screw A4 RTS 4.2 x 13 T20 Sort. |
| <b>523-b</b> | 105231   | Screw RTS 4.2 x 13 T20 Sort.    |
| <b>524</b>   | 105261   | Air Nozzle Thin Door            |
| <b>526</b>   | 105256   | Cover Plate Fan w/Symbol        |
| <b>526-a</b> | 105228   | Screw PT KB 40 x 10 RFS         |
| <b>529</b>   | 105155   | Bracket For Harness             |
| <b>542</b>   | 105257   | Cover, Cables                   |
| <b>552</b>   | 105259   | Cover Combi Dispenser           |
| <b>554</b>   | 105260   | Spacer, Motor, Outer Door       |
| <b>563</b>   | ADWE24CH | Handle, Epicure                 |
|              | ARDWM24H | Handle, Millennia               |

\*Dacor Logo (item 512) not included

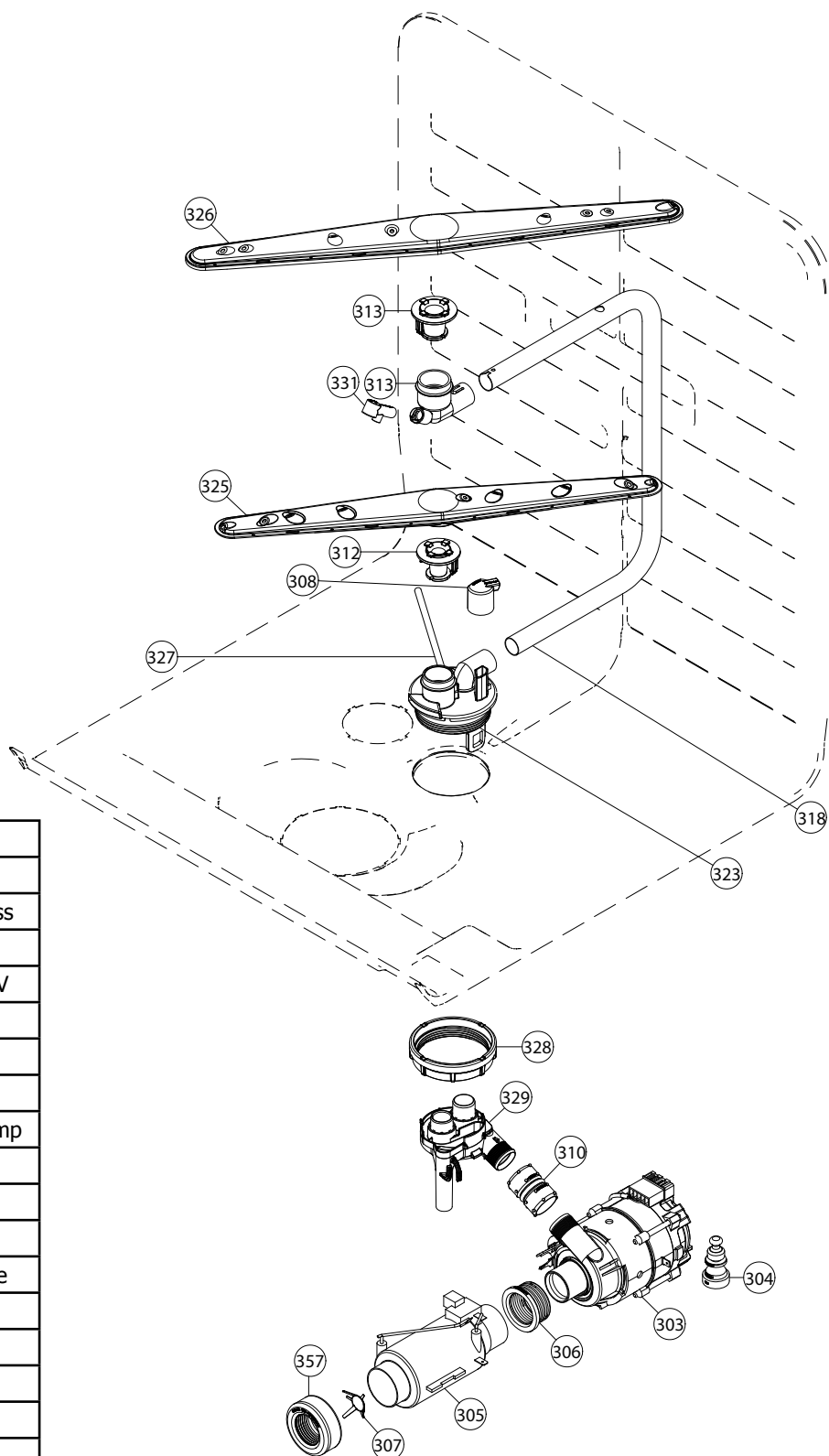
# EDWH- Rack Assemblies and Outer Chassis



| Item       | Part # | Description                       |
|------------|--------|-----------------------------------|
| <b>202</b> | 105222 | Upper Rack, Complete              |
| <b>203</b> | 105112 | Lower Rack, Complete              |
| <b>206</b> | 105184 | Wheel For Lower Rack              |
| <b>208</b> | 105120 | Holder, Carving Knives U-Basket   |
| <b>210</b> | 105122 | Wine Glass Shield Adjust          |
| <b>212</b> | 105215 | Cutlery Basket                    |
| <b>213</b> | 105117 | Rack Wheel                        |
| <b>218</b> | 105107 | Guide Rail Kit, Complete          |
| <b>220</b> | 105114 | Ball Catch Grey, Complete         |
| <b>221</b> | 105209 | Basket Stop                       |
| <b>222</b> | 105217 | Kit, Ball Holder (includes balls) |
| <b>225</b> | 105114 | Ball Catch, Complete              |
| <b>227</b> | 105108 | Door Strip                        |

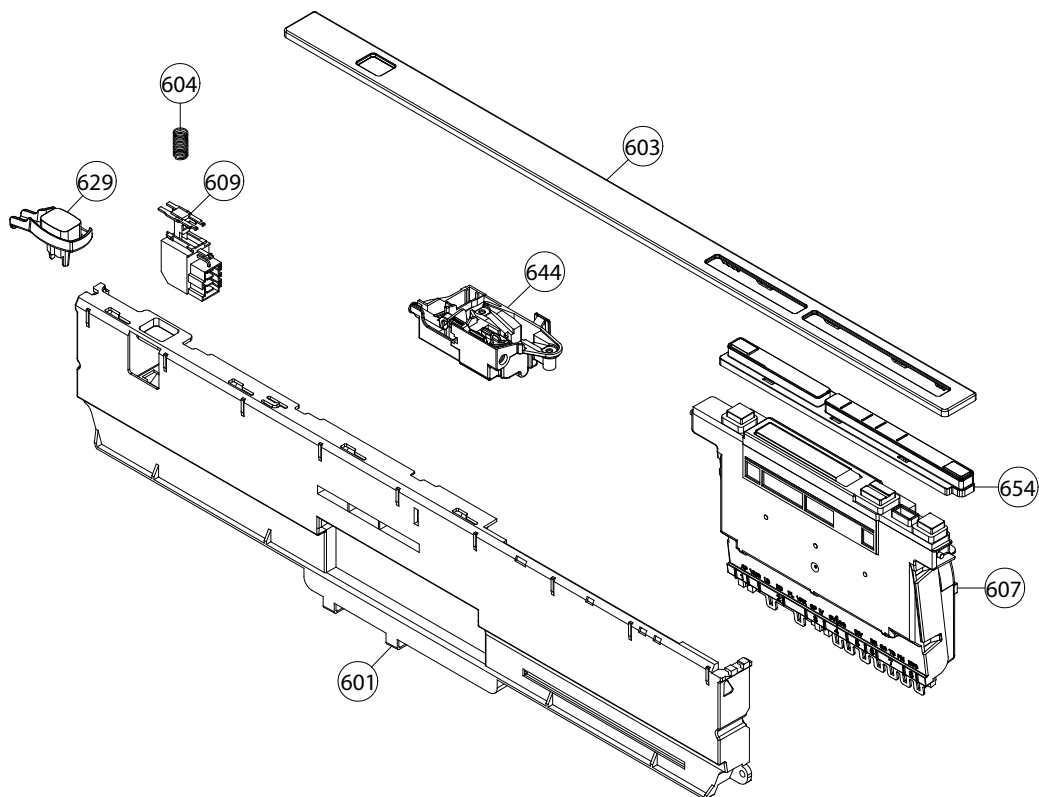
| Item         | Part # | Description                |
|--------------|--------|----------------------------|
| <b>231</b>   | 105183 | Door Cutlery Basket        |
| <b>234</b>   | 105265 | Lock Hitch, Integrated     |
| <b>234-a</b> | 105266 | Lock Washer                |
| <b>234-b</b> | 105267 | Screw M4 x A4 MRT T20      |
| <b>239</b>   | 105268 | O-Ring 69.5 x 3            |
| <b>241</b>   | 105109 | Knife Stop Plate Grey DW95 |
| <b>244</b>   | 105182 | Air Break                  |
| <b>245</b>   | 105179 | Lock Ring Air Breaker      |
| <b>247</b>   | 105156 | Trim Strip Left SS         |
| <b>248</b>   | 105157 | Trim Strip Right SS        |
| <b>256</b>   | 105158 | Trim Rail Low SS           |
| <b>275</b>   | 105119 | Sealing Stripe Trim        |
| <b>292</b>   | 105270 | O-Ring 95 x 4              |

# EDWH - Wash System



| Item         | Part # | Description                      |
|--------------|--------|----------------------------------|
| <b>303</b>   | 105180 | Circ. Pump 120 V 60 Hz.          |
| <b>303-a</b> | 105206 | Capacitor 7.0 UF 400 V P2 Class  |
| <b>304</b>   | 105194 | Rubber Damper Hi Circ. Pump      |
| <b>305</b>   | 105196 | Heating Element 1200 W 120 V     |
| <b>306</b>   | 105191 | Sealing Heater                   |
| <b>307</b>   | 105192 | Insert for Heater                |
| <b>308</b>   | 105139 | Cup Drainage                     |
| <b>310</b>   | 105221 | Kit Hose Incl. Clamps Circ. Pump |
| <b>312</b>   | 105161 | Spray Arm Bearing                |
| <b>313</b>   | 105106 | Spray Arm Bearing Upper          |
| <b>318</b>   | 105140 | Spray Pipe                       |
| <b>323</b>   | 105161 | Kit Spray Arm Bear. Low Nozzle   |
| <b>323-a</b> | 105268 | O-Ring 69.5 x 3                  |
| <b>325</b>   | 105131 | Spray Arm Lower, Complete        |
| <b>326</b>   | 105132 | Spray Arm Upper, Complete        |
| <b>327</b>   | 105275 | Tube Pot Rinse 6 x 160           |
| <b>327-a</b> | 105228 | Screw PT KB 40 x 10 RFS          |
| <b>328</b>   | 105123 | Lock Ring Spray Tower            |
| <b>329</b>   | 105177 | Intermediate                     |
| <b>331</b>   | 105276 | Spray Nozzle                     |
| <b>357</b>   | 105204 | Sealing Heater Bottom Sump       |

# EDWH - Control Panel Assembly



| Item | Part # | Description                          |
|------|--------|--------------------------------------|
| 601  | 105277 | Panel High Door                      |
| 602  | 105278 | Prog. Info Label Dacor*              |
| 603  | 105279 | Len Dacor                            |
| 604  | 105154 | Spring Main Switch                   |
| 607  | 105280 | Control Unit, Complete               |
| 609  | 105146 | Main Switch                          |
| 610  | 105281 | Cable Set Thermistor*                |
| 614  | 105175 | Cable Set Circulation Pump In Valve* |
| 616  | 105174 | Cable Set Flow and Pressure*         |
| 618  | 105176 | Cable Set Power*                     |
| 620  | 105282 | Cable Set Door Fan-Reed*             |
| 622  | 105172 | Cable Set Drain*                     |
| 629  | 105283 | Push Button Main Switch              |
| 644  | 105284 | Lock Complete Integrated             |
| 654  | 105285 | Push Buttons Dacor                   |

\*Not shown