



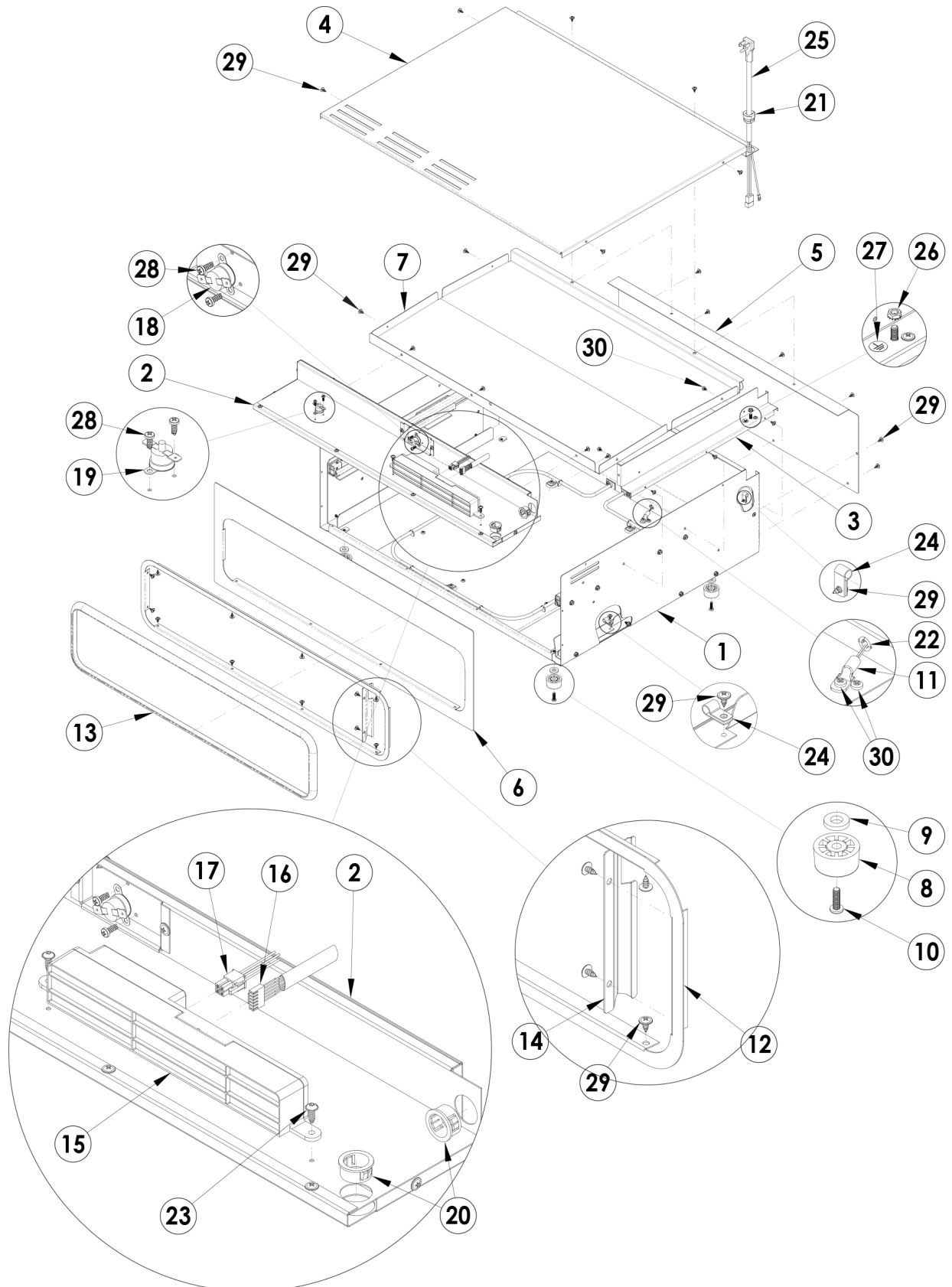
LET THE SHOW BEGIN

# PARTS CATALOG

## DWR30M977WIP/WIS/WIM Warming Drawer

Assembly Drawings and Parts Lists	
Page	Description
<a href="#">2</a>	Main-Chassis Assembly
<a href="#">4</a>	Chassis-Wrap Assembly, Parts List
<a href="#">5</a>	Drawer-Body Assembly, Parts List
<a href="#">6</a>	Drawer-Front Assembly
<a href="#">8</a>	Custom Front Panel Drawer Front Assembly, Parts List

# Main-Chassis Assembly



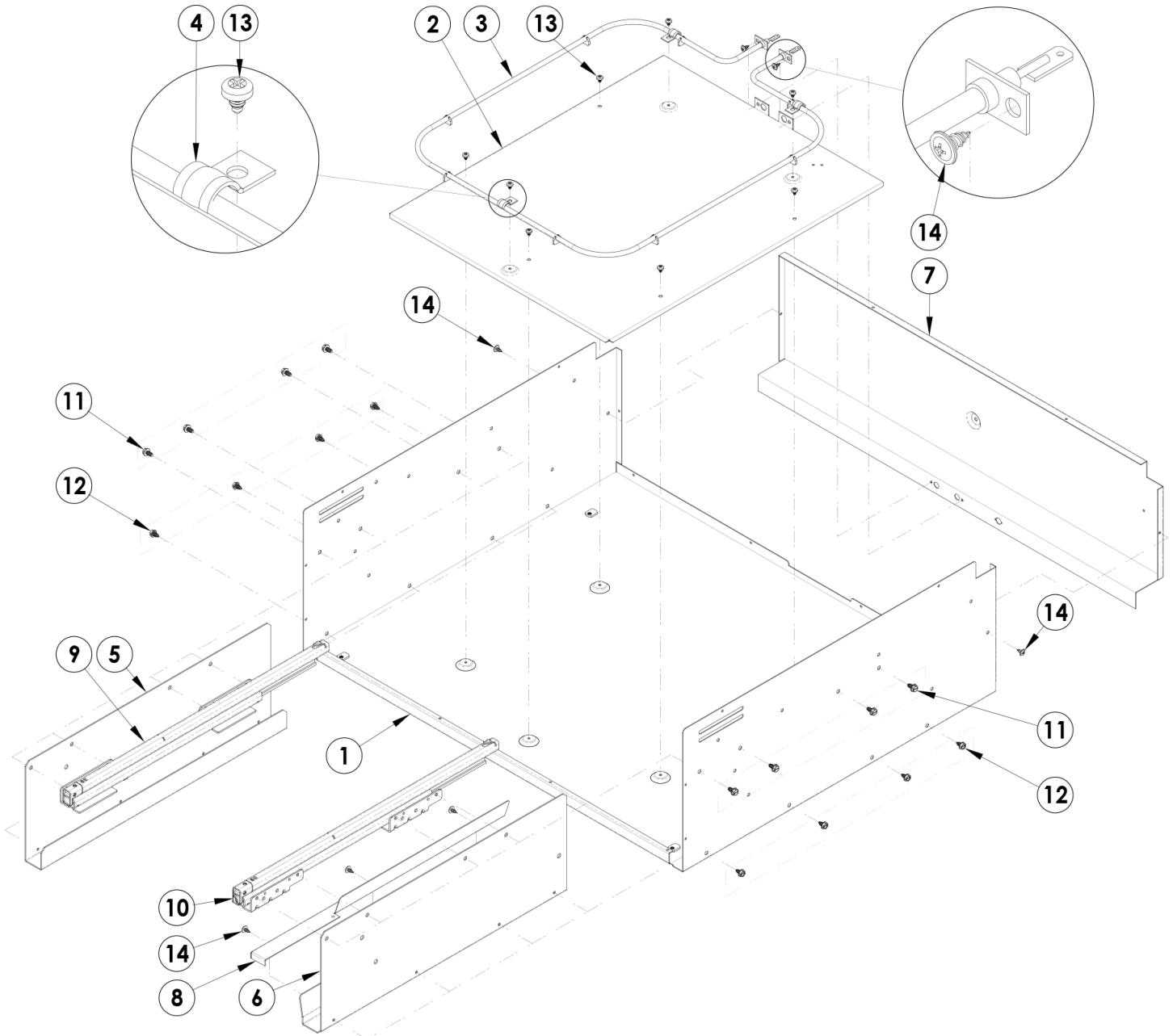
Return to Page 1

## Main-Chassis Assembly Parts List

Item	Part No.	Description
1	703575	Assy, Chassis, 30 in.
2	702879	Assy, Channel Power Supply
3	702880	Weld, Electric, Channel
4	110118	Top Cover
5	110119	Cover, Rear
6	110125	Front Frame Panel
7	110127	Partition, Top Panel
8	110295	Rubber Bumper Feet
9	102010	Washer, Pivot Pin
10	100385	Screw, #10-32 x .625
11	102472	Thermistor Sensor
12	110416	Frame, Gasket
13	110133	Gasket, Drawer
14	110132	Cover, Comm. Cable
15	110136	Power Supply

Item	Part No.	Description
16	110141	Harness, Power Comm. Wires
17	110137	Wire Harness, Power
18	110177	Auto-Reset Switch
19	82353	Hi-Limit Switch
20	83056	Bushing Heyco SB-875-11
21	83141	Busing, Strain Relief
22	83523	Bushing, 3/8"
23	83709	Screw, #8 x 1/2", Torx, Blk Oxide
24	83267	Clip, Sensor Bulb
25	72765	Power Supply Cord
26	83048	Nut, Hex Keps, #8-32
27	65014	Label, Ground Symbol
28	105486	Screw, 6-19 x 3/8" Plastite
29	83263	Screw, Phillips, Round Washer, HD.
30	83001	Screw, Phillips Panhead, 8 x 1/4"

# Chassis-Wrap Assembly, Parts List

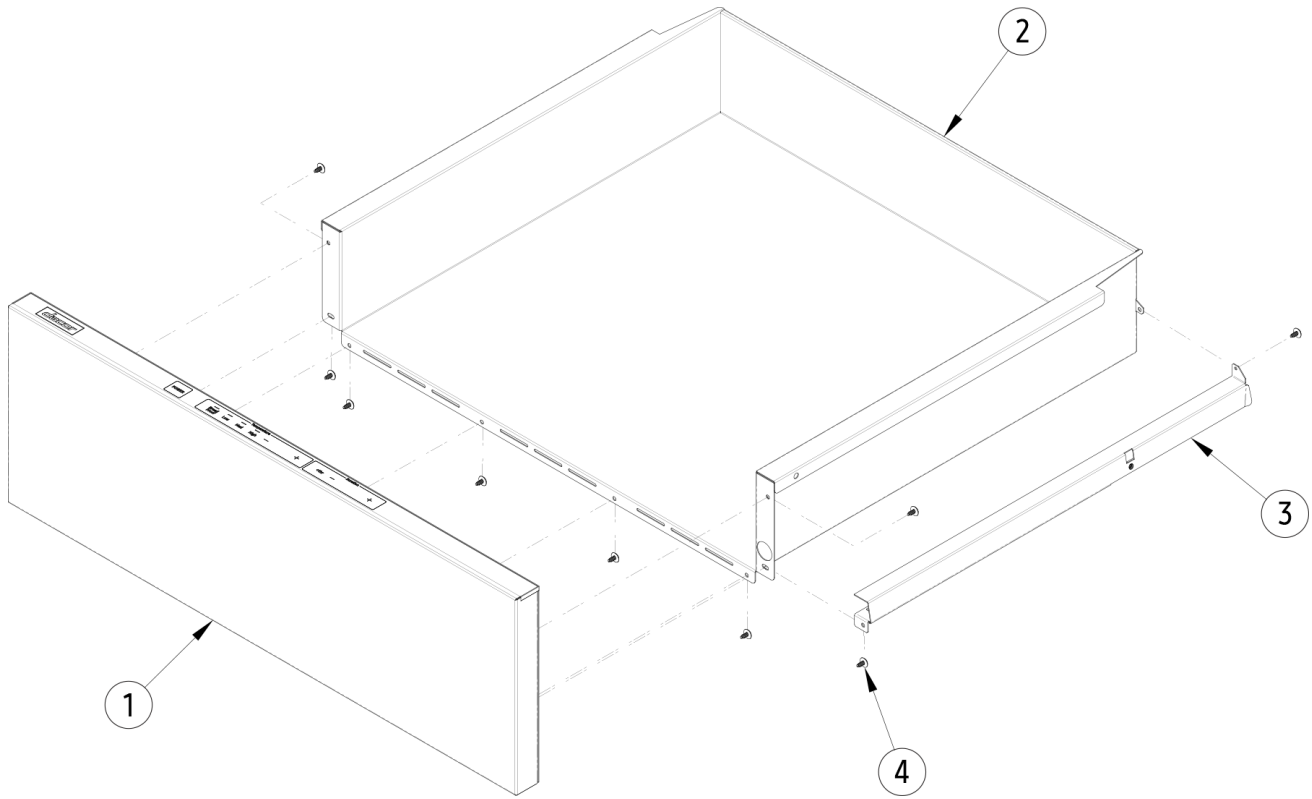


Item	Part No.	Description
1	702939	Weld, Chassis
2	110116	Panel, Heating Element
3	101651	Element, Heating
4	102321	Clip, Element Hold-Down
5	110114-01	Rail Support, Left
6	110114-02	Rail Support, Right
7	110117	Partition, Rear

Item	Part No.	Description
8	110130	Cover, Wire Harness Channel
9	110139-01	Rail Slide, LH
10	110139-02	Rail Slide, RH
11	110530	Screw, #10-24 x 3/8" SL H/W/HD
12	83023	Screw, Slot HWH, #10 x 3/8"
13	83001	Screw, Phillips Panhead, 8 x 1/4"
14	83263	Screw, Phillips, Round Washer, HD

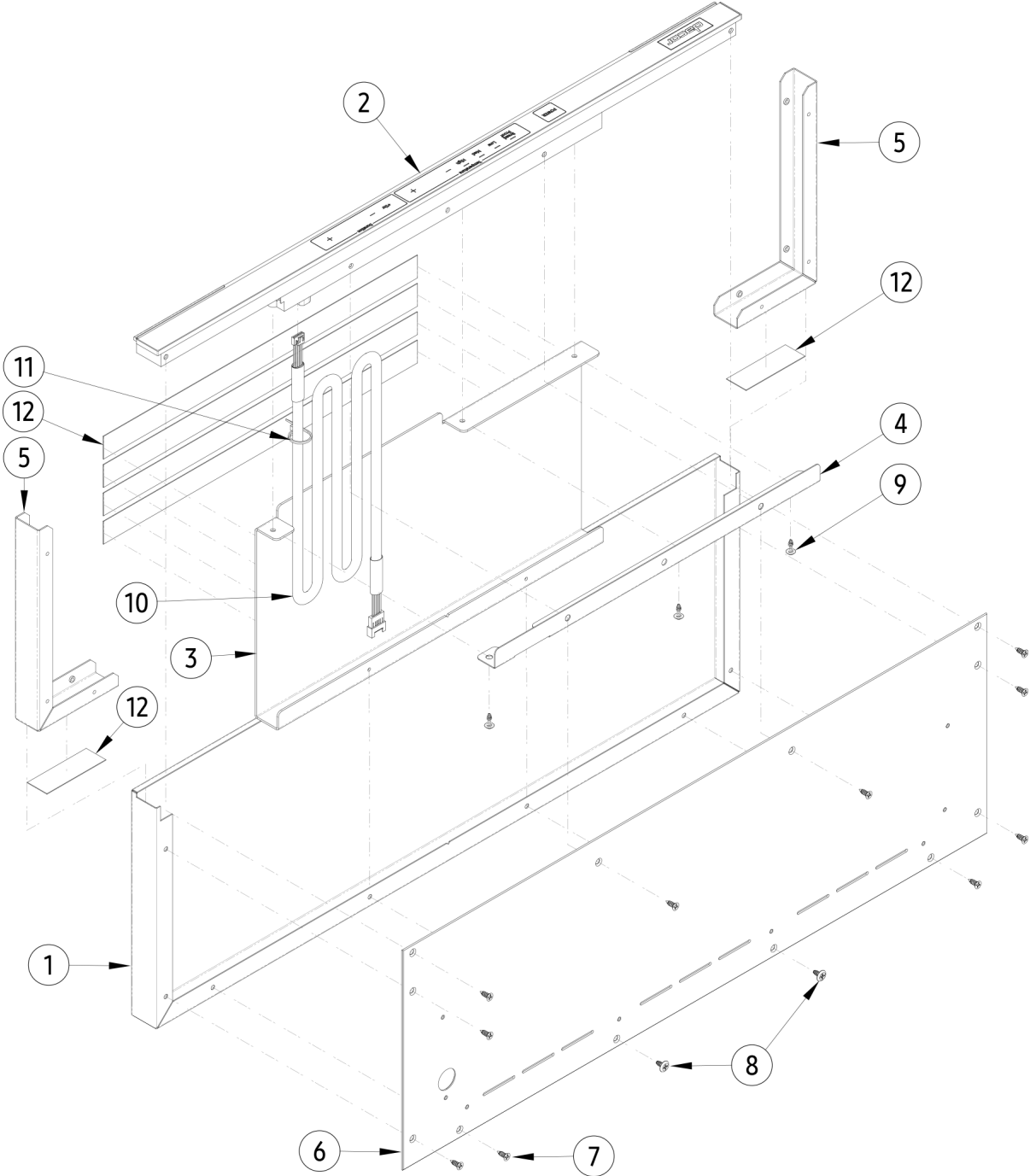
[Return to Page 1](#)

# Drawer-Body Assembly, Parts List



Item	WIS Part No.	WIM Part No.	Description
1	702882	702936	Assy., Drawer Front
2	702956	702956	Weldment, Drawer Wrap
3	702940	702940	Weld, Rail, Wire Guard
4	83619	83619	Screw, Wafer Head, #8 x 3/8"

# Drawer-Front Assembly

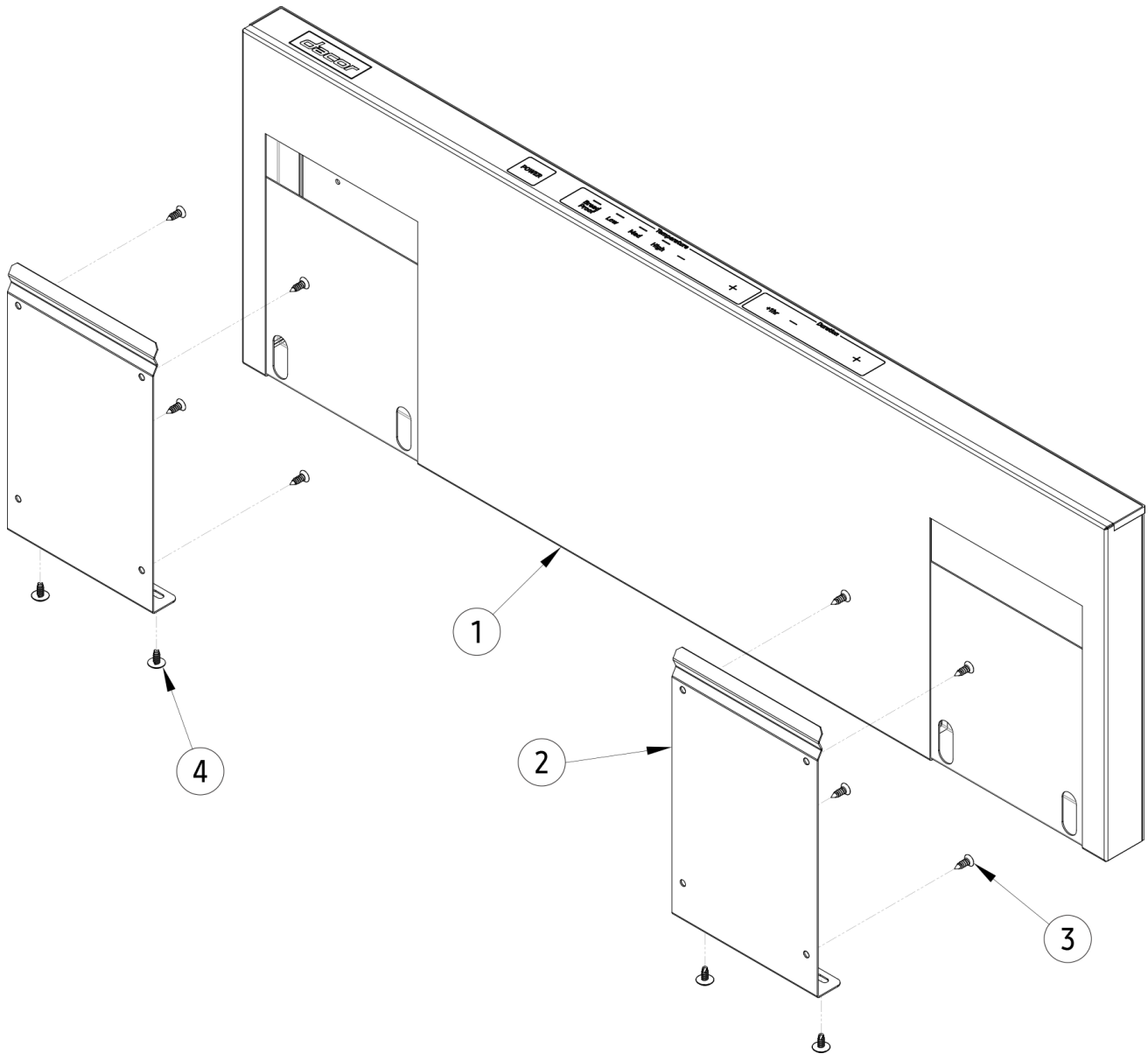


[Return to Page 1](#)

## Drawer-Front Assembly Parts List

Item	WIS Part No.	WIM Part No.	Description
1	702874	702937	Weldment, Drawer Skin
2	110135-01	110135-02	Display Control
3	110122	110122	Support, Inner Door
4	110123	110123	Angle, Control Support
5	110554	110554	Support Channel, Drawer Skin
6	110120	110120	Panel, Drawer Backing
7	110131	110131	Screw, #8 x 1/2" Phillips Flathead U/C NP T-AB
8	83619	83619	Screw, Wafer Head, #8 x 3/8"
9	83709	83709	Screw, #8 x 1/2", Torx, Black Oxide
10	110556	110556	UI Control Comm. Harness
11	83138	83138	Tie, Cable
12	92387	92387	Tape, VHB, Double-Sided

# Custom Front Panel Drawer Front Assembly, Parts List \*WIP Models Only



Item	Part No.	Description
1	703570	Assy., Drawer Front
2	113886	Bracket, Mount
3	83023	Screw, Slot #10 x 3/8
4	83619	Screw, Wafer Head, #8 x 3/8"

[Return to Page 1](#)