



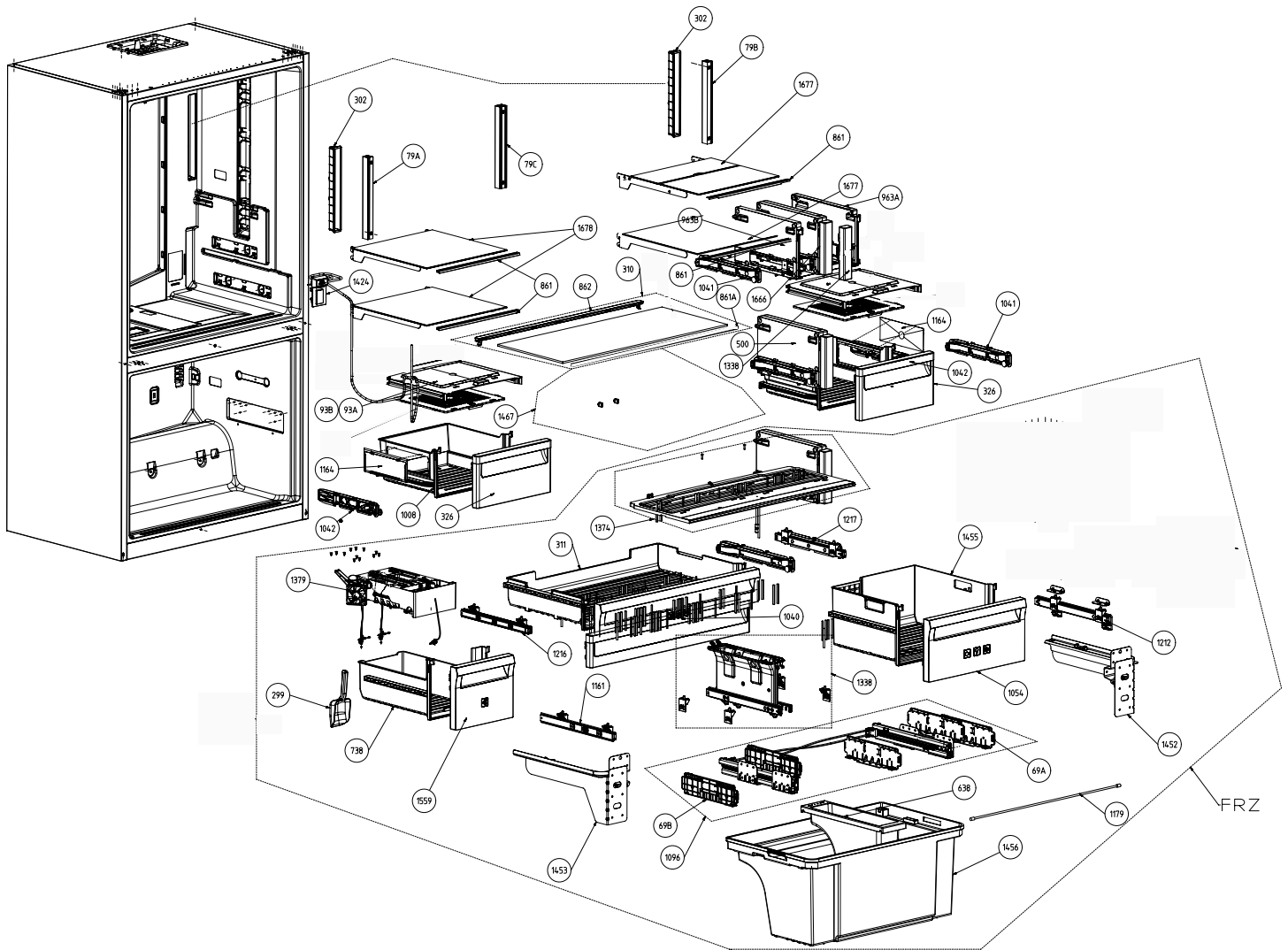
The Life of the Kitchen

PARTS CATALOG

Page #	Sheet Title
2	CABINET ASSEMBLY
3	CABINET ASSEMBLY - PARTS LIST
4	COMMON PARTS
5	COMMON PARTS - PARTS LIST
6	DOOR ASSEMBLY
7	DOOR ACCESSORIES
8	COOLING SYSTEM
9	COOLING SYSTEM - PARTS LIST
10	OUTER REFRIGERATOR CONTROLS
11	WATER SYSTEM

Revised 12-14-2016

DTF36FCS - Cabinet Assembly

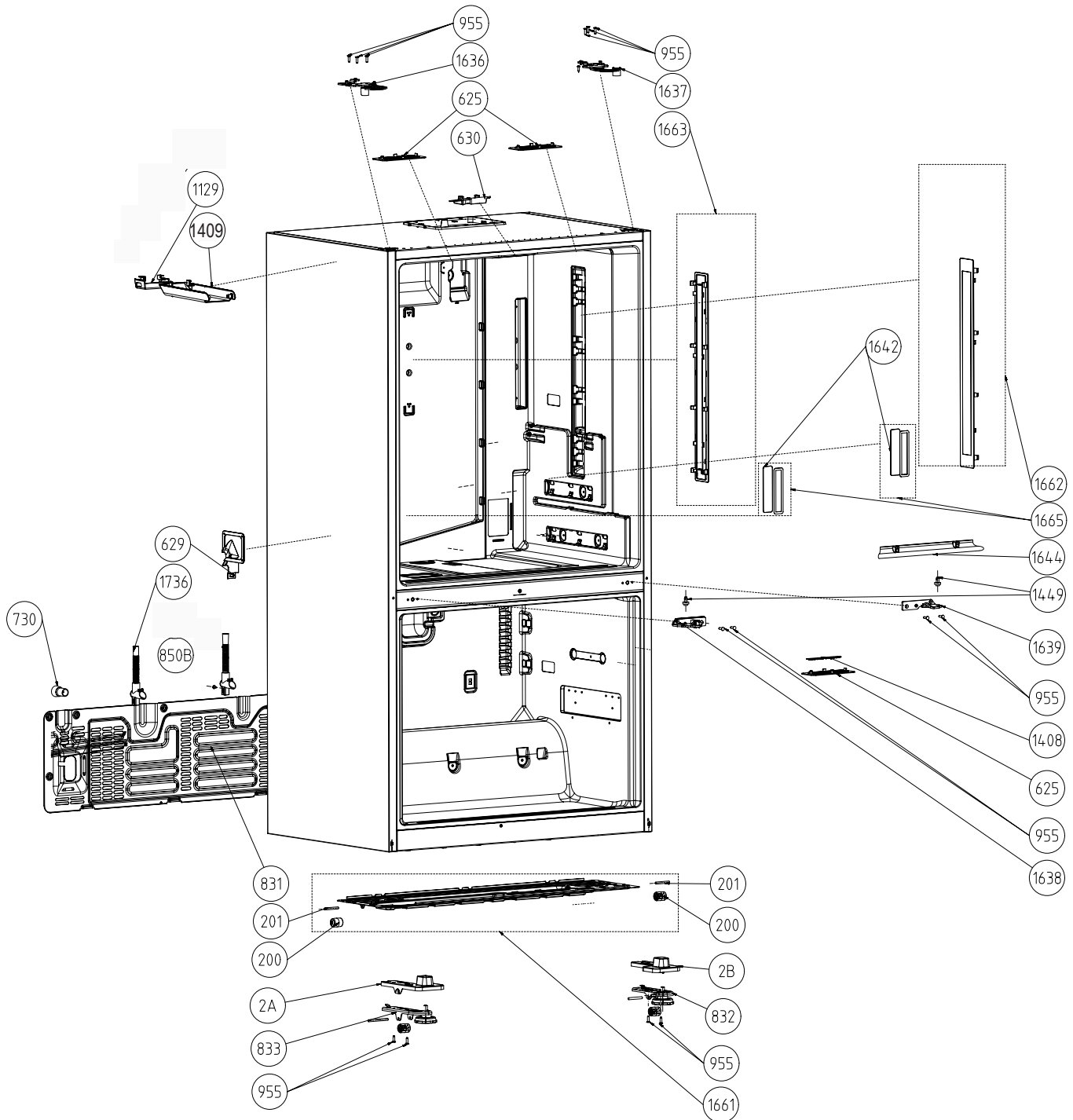


DTF36FCS - Cabinet Assembly - Parts List

Ref #	Part #	Description
299	5759150400	ICE SHOVEL
302	5745810100	Shelf Profile Casing
310	4944080100	GLASSH SHELF ASS
311	5900680100	FOUREVER_ZERO_DEGREE_BODY_GROUP
326	4944862100	DRAWER PRINTED COVER
500	5746000200	FOUREVER_CRISPER_BODY
638	5739270100	Separator (Divider)
738	5748460100	CABINET_OF_MID_RAIL_Ice Bin
861	5753100200	ALUMINUM GLASS SHELF PROFILE 6MM-tim
861A	5753100100	ALUMINUM, GLASS SHELF PROFILE - TRIM
862	5745070100	FF GLASS SHELF BACK PROFILE
1008	5746000300	FOUREVER_CRISPER_BODY
1040	4944841200	ZERO DEGREES DRAWER GR.
1041	4943300100	CRISPER RAIL ASSEMBLY
1042	4943300200	CRISPER RAIL ASSEMBLY
1054	4944761200	DRAWER GROUP OF PRINTED-FrZR upper drawr front
1096	5908800100	FOUREVER FRZ RAILS GR
1161	5910680400	FRZ TELESCOPIC RAILS GROUP
1164	5748000100	CRISPER BLUE LIGHT GLASSES
1179	5916360100	(SEPARATOR_WIRE) - Divider wire
1212	5910680300	FRZ TELESCOPIC RAILS GR
1216	5914000300	FF ZERO DEGREES TELESCOPIC RAIL GROUP

Ref #	Part #	Description
1217	5914000400	FF ZERO DEGREES TELESCOPIC RAIL GROUP
1338	4944800100	FOUREVER FRZ MIDDLE RAILS GR
1374	4944700300	ZERO_DEGREE_SHELF
1379	4944880100	ICEMAKER MACHINE GROUP
1424	4944980400	SP ACCESSORY GR (Front frame w/pipe)
1452	5739320100	DOOR_TRAVERS, Rt
1453	5739320200	DOOR_TRAVERS, Left
1455	4944770100	FRZ_UPPER_DRAWER
1456	5748020100	G74530_FRZ_BOTTOM_DRAWER
1467	4944110400	WATER_TANK
1559	4944831200	(DRAWER GROUP OF PRINTED) - Ice bin front
1677	4944780400	GLASS SHELF ASS
1678	4944780300	GLASS SHELF ASS
69A	5748380100	RAIL_HANDLE
69B	5748380200	RAIL_HANDLE
79A	5745820100	SHELF PROFILE
79B	5745820200	SHELF PROFILE
73C	5745830100	SHELF PROFILE
93A	5900660500	COSMOS_FRESHSELF_TOP_COVER
93B	5900661000	COSMOS_FRESHSELF_TOP_COVER
963A	5748130100	CABINET_OF_MID_RAIL
963B	5748130200	CABINET_OF_MID_RAIL

DTF36FCS - Common Parts

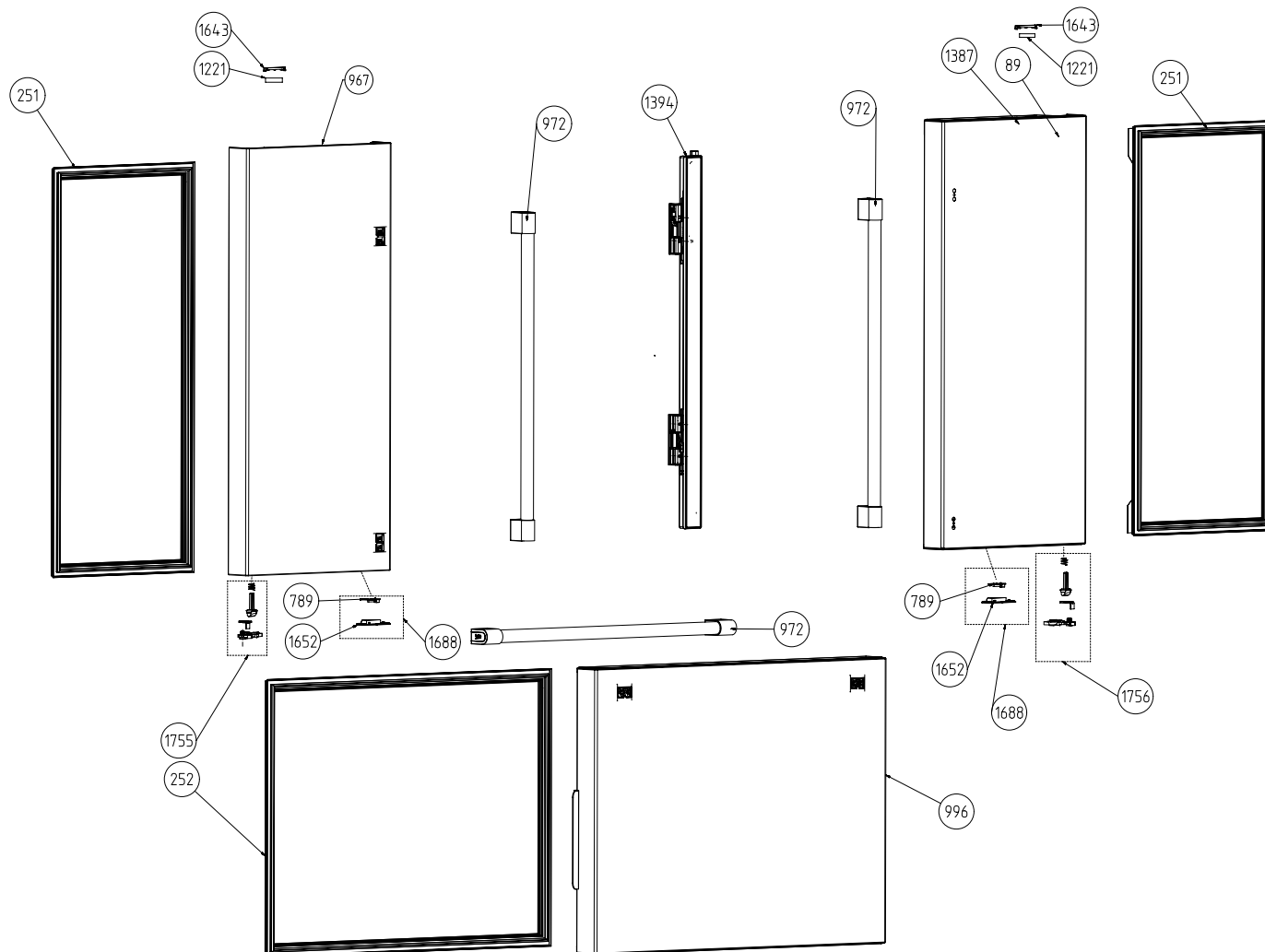


DTF36FCS - Common Parts - Parts List

Ref #	Part #	Description
200	4227230100	BACK WHEEL
201	4076350300	WHEEL PIN
625	5732730100	FREEZER_LIGHT_COVER
629	5766510100	HOSE_INLET_AREA_HIDING_PART
630	5746750100	HOUSING FOR THE ROTATING MIDDLE TRAVERSE
730	4385910100	Air Grill cover (2 screws & 2 spacers for cover)
831	4943050300	COMPRESSOR_COVER_91CM_ASSY.
832	4333580310	FRONT BASE 9(RIGHT) Leg w/ roller
833	4333580410	FRONT BASE LEFT Leg w/roller
955	4841320300	Screw M5x25
1129	5746930100	FOUREVER_FILTER_BACK_COVER
1408	4940160100	LED_CARD_AG2014
1409	4944960100	FILTER CUP GROUP

Ref #	Part #	Description
1449	5701390600	MIDDLE_HINGE_PIN
1636	4909380200	TOP HINGE ASSY LEFT
1637	4909380100	TOOP HINGE ASSY RIGHT
1638	4944180200	MIDDLE_HINGE, Left
1639	4944180100	MIDDLE_HINGE, Rt
1642	5745940100	LIGHT_COVER
1644	5766520100	HOSE_HIDING_PART
1661	4943030100	COMPRESSOR_TRAVERSE_91CM_ASSY.
1662	5912030300	LIGHTING_GROUP_LONG
1663	5912030400	LIGHTING_GROUP_LONG
1665	5919310100	LIGHTING_ZERO_DEGREE
1736	4939820200	WATER_DRAIN_ASSY.
2A	5729220300	ADJUSTABLE_FOOT_COVER, Left
2B	5729920400	ADJUSTABLE_FOOT_COVER, Rt
850B	4333500200	WATER DISCHARGE HOSE ASSY (YENI 70CM)

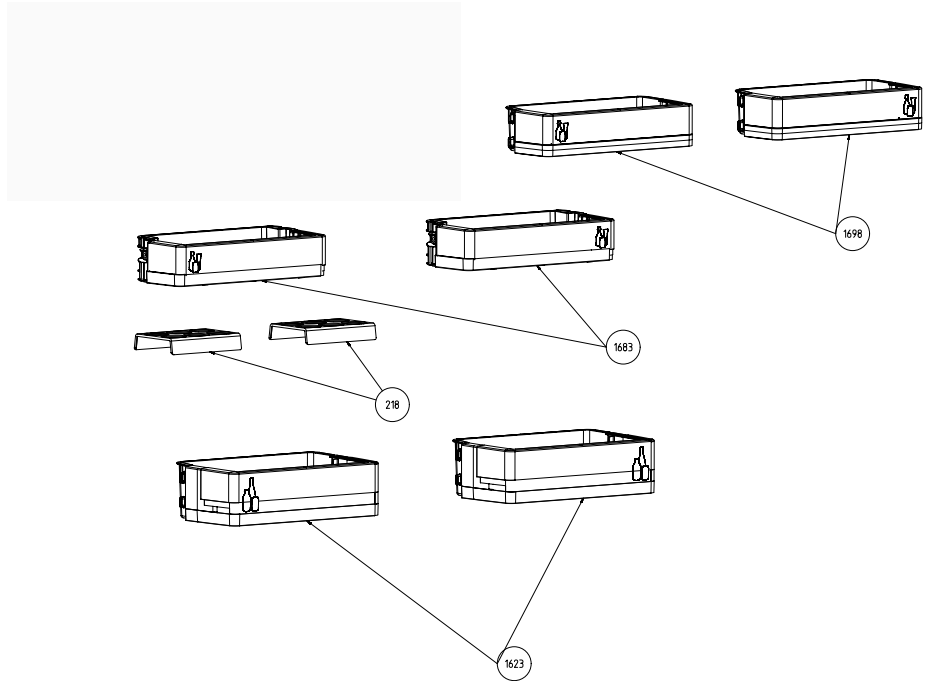
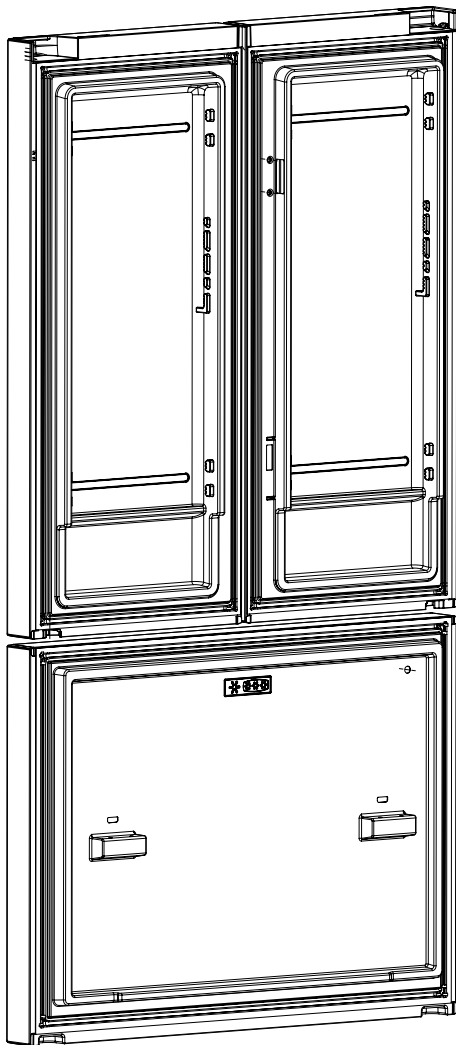
DTF36FCS - Door Assembly



Ref #	Part #	Description
89	4244690200	Middle Hinge Body (SBS4K_Left) Compressor Bushing
251	4362161600	GASKET, Fridge Door
252	4902422000	DOOR GASKET ASSY, Freezer
789	5707440200	REED SWITCH CARD
967	4944350100	PU_FF_DOOR_ASSEMBLY_LEFT
972		DACOR HANDLE
996	4944550100	PU_FRZ_DOOR_ASSEMBLY
1221	4825250185	MAGNET FOR SIGNAL

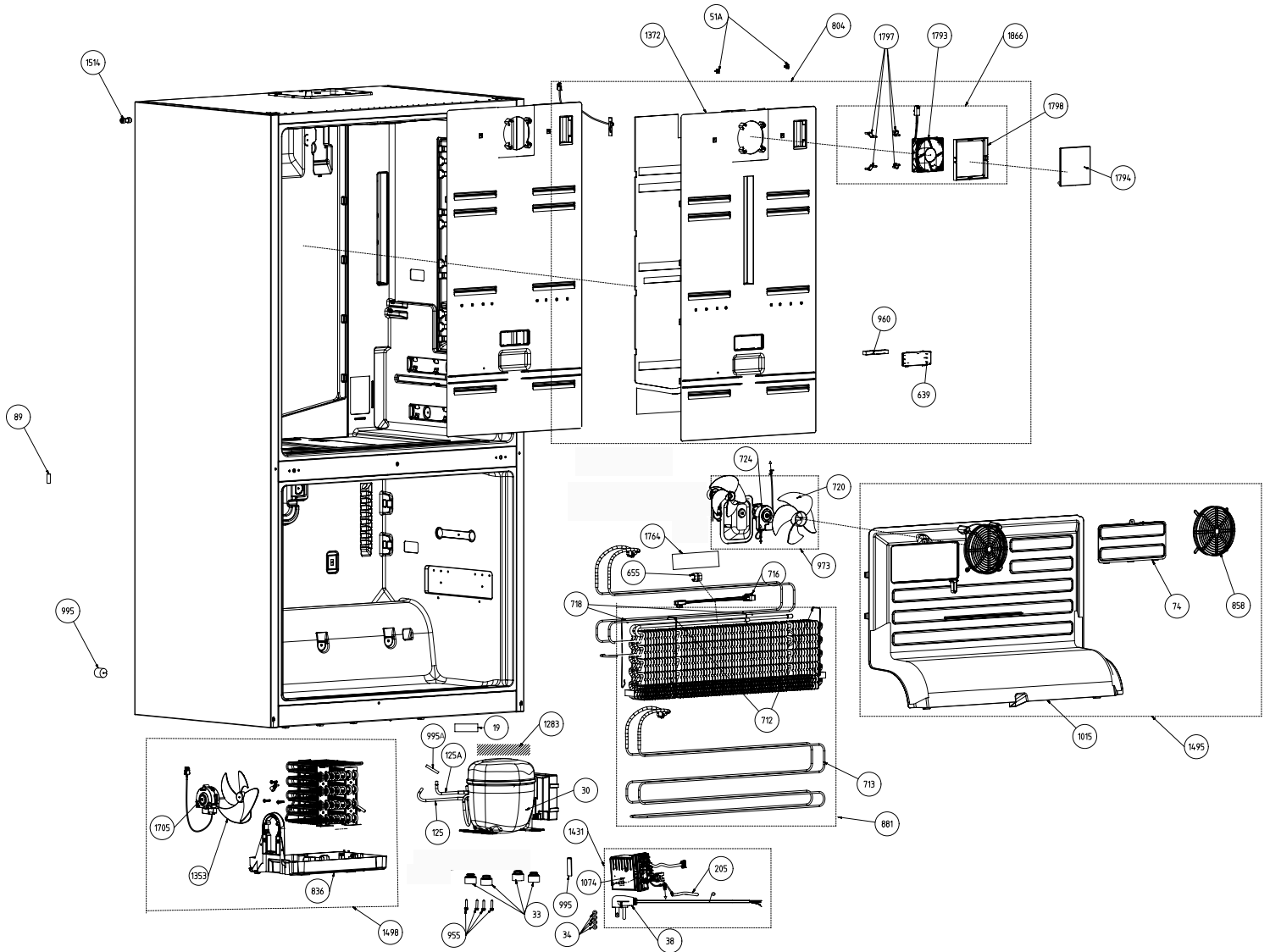
Ref #	Part #	Description
1387	4944010100	PU_FF_DOOR_ASSEMBLY_DID, Rt
1394	4946650100	ROTATING MIDDLE TRAVERSE
1643	5700140400	MAGNETIC COVER
1652	5712800200	SWITCH COVER
1688	4911760300	REED SWITCH ASS
1755	4946050400	Pulling Mechanism Kit
1756	4946050300	Pulling Mechanism Kit

DTF36FCS - Door Accessories



Ref #	Part #	Description
218	5711160500	EGG TRAY
1623	4944612000	DOOR_SHELVES_Left
1683	4944632000	ADJUSTABLE DOOR SHELF, Left
1698	4944621800	DOOR SHELF, Right
1698	4944622000	DOOR SHELF, Left

DTF36FCS - Cooling System

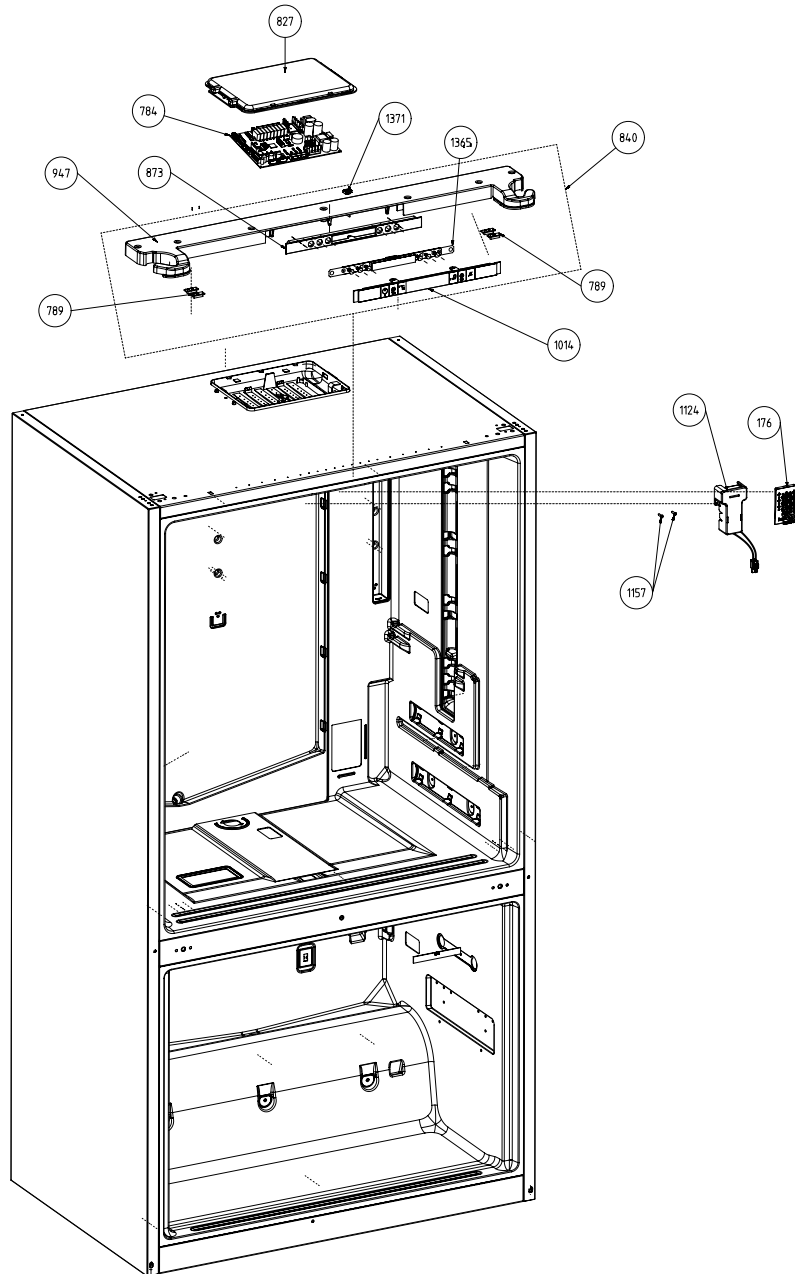


DTF36FCS - Cooling System - Parts List

Ref #	Part #	Description
19	4243120700	DRYER (10gr) (UL APPROVED)
30	4151231000	VCC COMPRESSOR (EMBRACO_VEGZ7H)
33	4296130100	RUBBER GROMMET
34	9000120000	WASHER
38	4112171200	POWER SUPPLY CORD ASSY
74	5739990100	FRZ_EVA_COVER_SERVICE_DOOR
89	4244690200	MIDDLE HINGE BODY (SBS4K_LEFT) Compressor Bushing
125	4215790500	VACUUMING TUBE
205	4109813000	GROUND CABLE ASSEMBLY
639	4862780100	FILTER COVER_SBS4K
712	4824410100	HEATER SPRING
713	574980200	EVAPORATOR HEATER_G91629
716	4919820700	THERMAL INSURANCE
718	4821600100	HEATER SPRING
720	4888520100	Fan Blade
724	5731120300	DC_FAN_MOTOR, condenser
804	4944670200	MULTIFLOW COVER, complete
836	4942920100	(ADHESIVE) EVAPORATING PAN ASSY.
858	5715840100	Fan Protection wire - Wire Fan Cover
881	4946780100	FINNED_EVAPORATOR ASSEMBLY_3D
955	4841320300	SCREW (M5X25) for compressor
960	4228060400	PHOTOCATALYST FILTER

Ref #	Part #	Description
973	4935320600	DC FAN MOTOR ASSY
995	9000130400	Rubber Holder
995A	9000130500	Rubber Holder
1015	4944660100	FRZ_EVA_FRONT_COVER_ASSY
1074	4896850400	VEMX5C VCC INVERTER
1283	4295210100	BITUMEN (B910_B930_B955_B965NF)
1353	4858340185	AXIAL BLADE CCW_145MM (ROHS)
1372	4944650600	MULTIFLOW COVER
1431	4365120600	VCC INVERTER ASSY (WITH SUPPLY CORD)
1495	4944690100	FRZ_EVAP_FRONT COVER ASSY.
1498	5901270100	EVAPORATING PAN GROUP_PANASOMIC_Y4K_UL
1514	4857690100	Quick Fit Connector
1705	4397620100	BLCD_FAN_MOTOR_ASSY. (Evaporator)
1764	4818490200	BITOM FOR EVAPORATOR TUBES
1793	5712640100	PC_FAN_12V
1794	4927582200	Printed Square Fan Cover
1797	5731610100	SQUARE FAN DAMPER
1798	5704880100	FAN COVER
1866	4943560100	Square Fan Service Group
125A	4223430100	VACUUMING TUBE (_L_SHAPED)
51A	5705910100	EVAP. COVER CAP WHITE

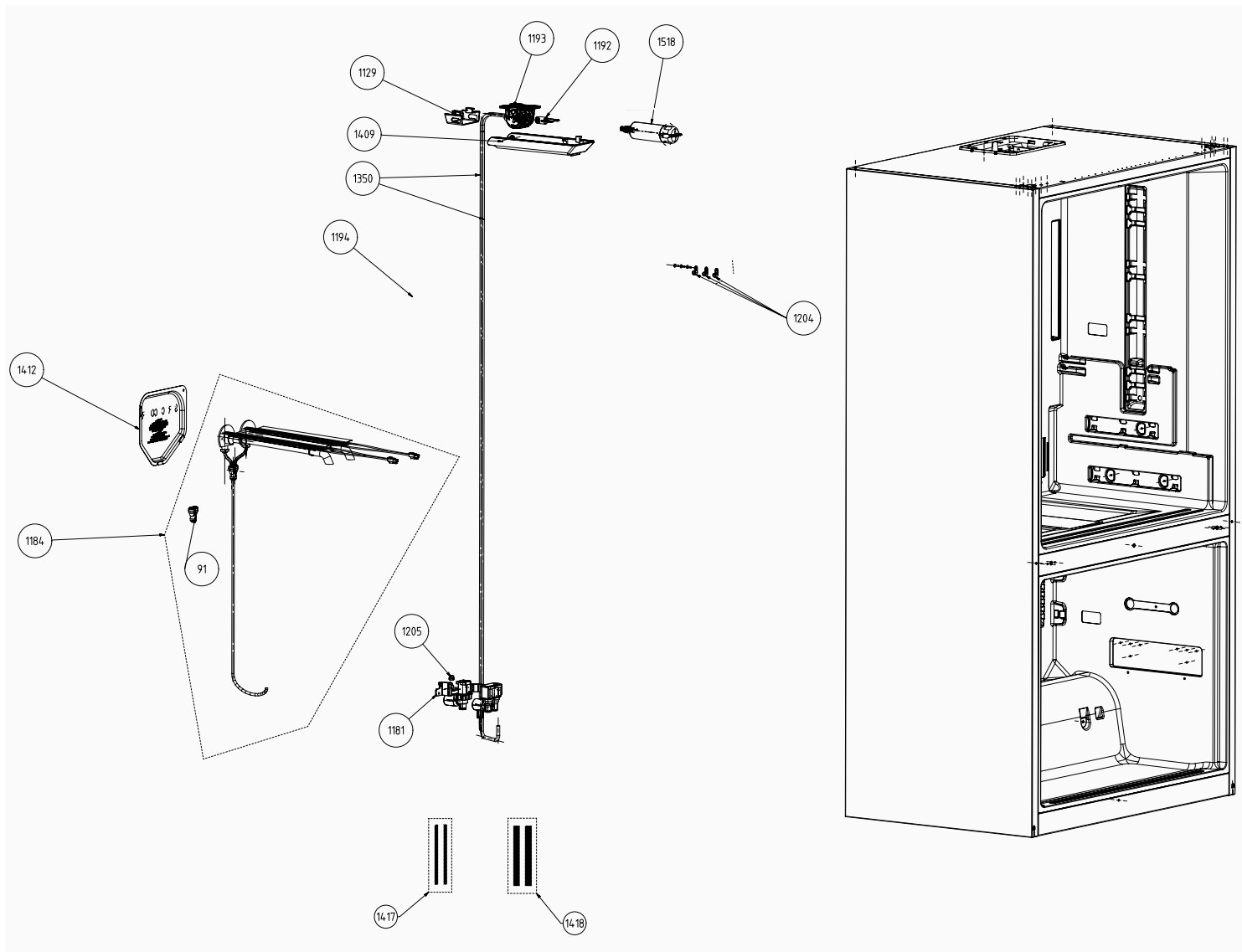
DTF36FCS - Outer Refrigerator Controls



Ref #	Part #	Description
176	5913490100	Ionizer cover
784	4934262301	U4_CONTROL_BOARD_GR G91629NE FOUVER
789	5707440200	REED SWITCH CARD
827	4930860300	CARD BOX COVER ASS
840	5914120300	DISPLAY GROUP
873	5748190100	DISPLAY CHASSIS

Ref #	Part #	Description
947	5748180600	(UPPER DOOR BROW)-- Display frame
1014	4944920300	PRINTED DISPLAY GLASS
1124	4362700300	IONIZER ASSY
1157	4246820200	SCREW (3.5_16 PT)
1365	5712631200	Electronic Display Card
1371	5908010100	DOOR HARNESS ASSY(G84605NE)

DTF36FCS - Water System



Ref #	Part #	Description
91	5745930100	Muff
1129	5746930100	FOUREVER_FILTER_BACK_COVER
1181	4346600500	WATER VALVE ASS. UL
1184	5914020200	FE_HEATED_WATER_PIPE_GR-Heated water pipe assembly
1192	4389350100	BY_PASS ASSY_RK_SBS
1193	4874970100	FILTER HEAD_SBS_4K
1194	4918450400	SCREW, water valve assembly
1204	481930200	SBS Pipe Clamp (Plastic tie)

Ref #	Part #	Description
1205	4842100100	SCREW, water valve assembly
1350	4832653000	Water hose
1409	4944960100	FILTER CUP GROUP
1412	5917470100	FOUREVER_SERVICE_COVER_GR
1417	4854830100	WATER VALVE SPRING ASSY.
1418	4854830200	WATER VALVE SPRING ASSY.
1518	4874960100	WATER FILTER (ABFF6)