

The Dacor logo is rendered in a bold, italicized, sans-serif font with a metallic, 3D effect. The letters are dark with a lighter, reflective highlight on the top and left sides, giving it a sleek, modern appearance.

The Life of the Kitchen.®

A faded background image of a kitchen scene featuring a white Dacor range with a rotisserie oven, a white bowl on the stovetop, and various kitchen items on the counter.

PARTS CATALOG

A20 Rotisserie

IMPORTANT: This product may have some parts that are **No Longer Available (NLA)**.
If the part you need is no longer available, please contact Dacor for a possible solution:

DACOR CARES PROGRAM **NLA Part Locator Service**

Customer Contact Number:

(800) 793-0093 ex. 2813
Hours: 6:00 AM - 5:00 PM Pacific Time

Service Agent/Technician Contact Number:

(800) 793-0093 ex. 3814
Hours: 7:00 AM - 4:00 PM Pacific Time

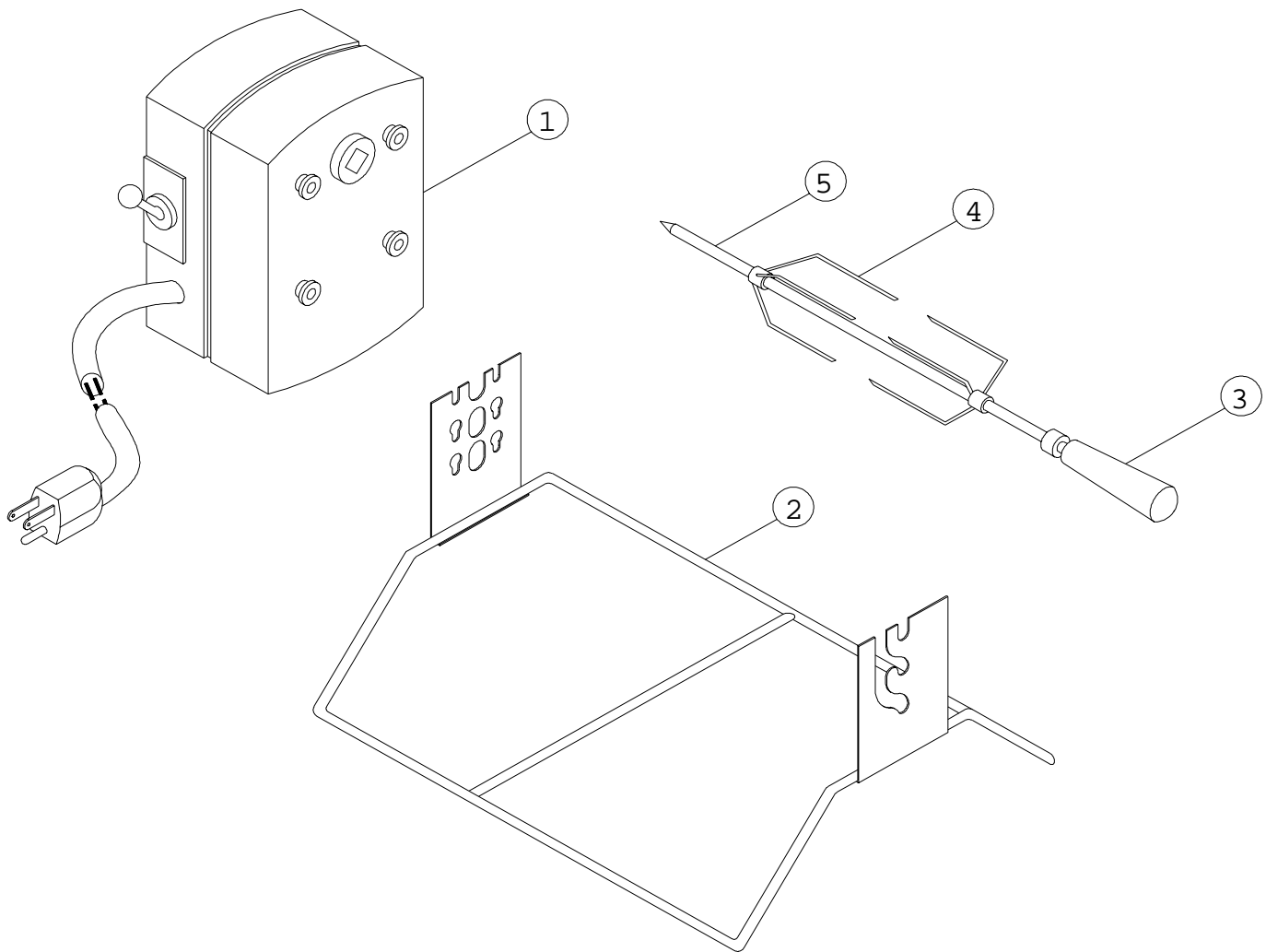
Web Inquiries: www.dacor.com/dacorcares **Email Inquiries:** dacorcares@dacor.com

Please provide the following information:

- Your name and phone number
- Product model number
- Product serial number
- The part number(s) you need

Revised 09-29-2011

A20 Rotisserie



REF #	PART #	DESCRIPTION
1	82078	ROTISSERIE MOTOR
2	82350	ROTISSERIE STAND
3	83180	SPIT HANDLE
4	83179	FORK
5	82242C	ROTISSERIE SPIT