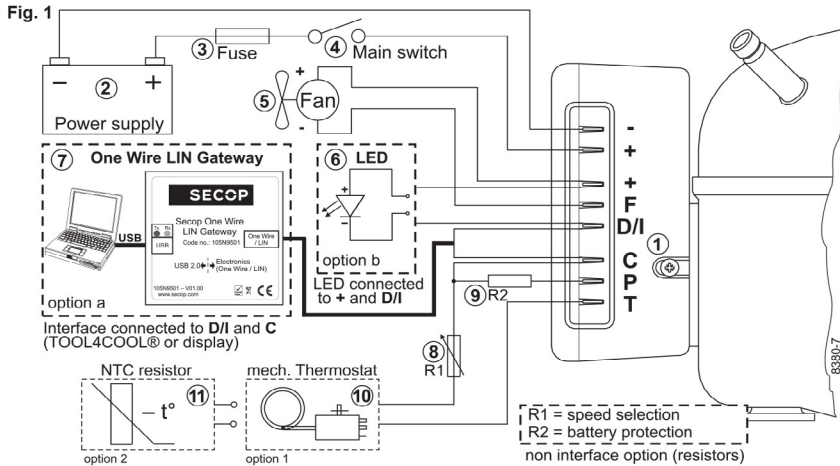


Instructions

Electronic unit BD35F/50F/35K compressors 101N0212 & 101N0650, 12-24V DC



Optional battery protection settings Fig. 4

Resistor (9) kΩ	12V cut-out [V]	12V cut-in [V]	12V max. [V]	24V cut-out [V]	24V cut-in [V]	24V max. [V]
0	9.6	10.9	17.0	21.3	22.7	31.5
1.6	9.7	11.0	17.0	21.5	22.9	31.5
2.4	9.9	11.1	17.0	21.8	23.2	31.5
3.6	10.0	11.3	17.0	22.0	23.4	31.5
4.7	10.1	11.4	17.0	22.3	23.7	31.5
6.2	10.2	11.5	17.0	22.5	23.9	31.5
11	10.5	11.8	17.0	23.0	24.5	31.5
14	10.6	11.9	17.0	23.3	24.7	31.5
18	10.8	12.0	17.0	23.6	25.0	31.5
24	10.9	12.2	17.0	23.8	25.2	31.5
33	11.0	12.3	17.0	24.1	25.5	31.5
47	11.1	12.4	17.0	24.3	25.7	31.5
82	11.3	12.5	17.0	24.6	26.0	31.5
220	9.6	10.9				31.5

The electronic unit is a dual voltage device. This means that the same unit can be used in both 12V and 24V power supply systems. Maximum voltage is 17V for a 12V system and 31.5V for a 24V power supply system. Max. ambient temperature is 55°C. The electronic unit has a built-in thermal protection which is actuated and stops compressor operation if the electronic unit temperature gets too high.

Installation (Fig. 1)

Connect the terminal plug from the electronic unit to the compressor terminal. Mount the electronic unit on the compressor by snapping the cover over the screw head (1).

Power supply

The electronic unit must always be connected directly to the battery poles (2). The electronic unit is protected against reverse battery connection. A fuse (3) must be mounted in the + cable as close to the battery as possible. 15A fuse for 12V and 7.5A fuse for 24V circuits are recommended. If a main switch (4) is used, it should be rated to a current of min. 20A. The wire dimensions in Fig. 2 must be observed. Avoid extra junctions in the power supply system to prevent voltage drop from affecting the battery protection setting.

Battery protection

The compressor stops and restarts according to the voltage measured on the + and - terminals of the electronic unit. The standard settings appear from Fig. 3. Other settings (Fig. 4) are optional if a R2 resistor (9) is connected between terminals C and P. In solar applications without a battery a 220 kΩ resistor is recommended.

Thermostat and speed selection

Either an NTC (electrical thermostat, 11) or a mechanical thermostat (10) can be connected between the terminals C and T. If an NTC is used, the set point and speed can be set via a communication interface between terminals C and D/I.

If a mechanical thermostat is used without any R1 resistor (8), the compressor will run with a fixed speed of 2,000 rpm. Other fixed compressor speeds in the range between 2,000 and 3,500 rpm can be obtained when a resistor (8) is installed to adjust the current (mA) of the control circuit. Resistor values for various motor speeds appear from Fig. 5.

Fan (optional)

A fan (5) can be connected between the terminals + and F. A 12V fan must be used for both 12V and 24V power supply systems. The fan output can supply a continuous current of 0.5A_{avg}. A higher current draw is allowed for 2 seconds during start.

Communication interface (option a)

A PC can be connected through the manufactured by Secop for Danfoss One Wire/LIN Gateway (7) to the communication interface between terminal D/I and C. The software TOOL4COOL® allows you to create different settings and reads out several measurements. Settings can be copied from one unit to another in mass production. Alternatively a customer specific controller (e.g. display) can be connected to adjust the settings like set point and speed during operation.

LED (option b)

A 10mA light emitting diode (LED) (6) can be connected between the terminals + and D/I.

Wire Dimensions DC

Cross section [mm²]	Size AWG [Gauge]	Max. length* 12V operation		Max. length* 24V operation	
		[m]	[ft.]	[m]	[ft.]
2.5	13	2.5	8	5	16
4	12	4	13	8	26
6	10	6	20	12	39
10	8	10	33	20	66

Fig. 2 *Length between battery and electronic unit

Standard battery protection settings

12V cut-out [V]	12V cut-in [V]	24V cut-out [V]	24V cut-in [V]
10.4	11.7	22.8	24.2

Fig. 3

Compressor speed

Electronit unit Code number	Resistor (R1) [Ω] calculated values	Motor speed	Control circuit current
		[rpm]	[mA]
101N0212 101N0650	0	2,000	5
	277	2,500	4
	692 1523	3,000 3,500	3 2

Fig. 5

In case the electronic unit records an operational error, the diode will flash a number of times. The number of flashes depends on what kind of operational error was recorded. Each flash will last ¼ second. After the actual number of flashes there will be a delay with no flashes, so that the sequence for each error recording is repeated every 4 seconds.

Operational errors

Error code or LED flashes	Error type
	Can be read out in the software TOOL4COOL®
6	Thermostat failure (If the NTC thermistor is short-circuit or has no connection).
5	Thermal cut-out of electronic unit (If the refrigeration system has been too heavily loaded, or if the ambient temperature is high, the electronic unit will run too hot).
4	Minimum motor speed error (If the refrigeration system is too heavily loaded, the motor cannot maintain minimum speed at approximately 1,850 rpm).
3	Motor start error (The rotor is blocked or the differential pressure in the refrigeration system is too high (>5 bar)).
2	Fan over-current cut-out (The fan loads the electronic unit with more than 0.5A _{avg}).
1	Battery protection cut-out (The voltage is outside the cut-out setting).

VDE/UL Approvals for BD Compressors

Approved Compressor - Electronic Unit Combinations

Compressors		Electronic Units				
		<i>Standard</i>	<i>Automotive</i>	<i>High speed</i>	<i>AEO</i>	<i>AEO EMI</i>
		101N0212	101N0650	101N0290	101N0300	101N0320
BD35F mm	101Z0200				UL	
BD35F inch	101Z0204				UL	
BD35K (R600a)	101Z0211					
BD50F mm	101Z1220				UL	
BD50F inch	101Z0203				UL	
BD80F mm	101Z0280					
BD250GH.2	101Z0406					
BD100CN (R290)	101Z0401					

Compressors		Electronic Units				
		<i>Solar</i>	<i>AC/DC converter</i>	<i>Automotive</i>	<i>Automotive</i>	<i>Telecommunication</i>
		101N0400	101N0500	101N0600	101N0630	101N0732
BD35F mm	101Z0200	UL	VDE/UL			
BD35F inch	101Z0204	UL	VDE/UL			
BD35K (R600a)	101Z0211					
BD50F mm	101Z1220		VDE/UL			
BD50F inch	101Z0203		VDE/UL			
BD250GH.2 (48V)	101Z0405					UL

VDE/UL = Combination possible, VDE or UL approval

□ = Combination possible, but no approval

■ = Combination not possible